

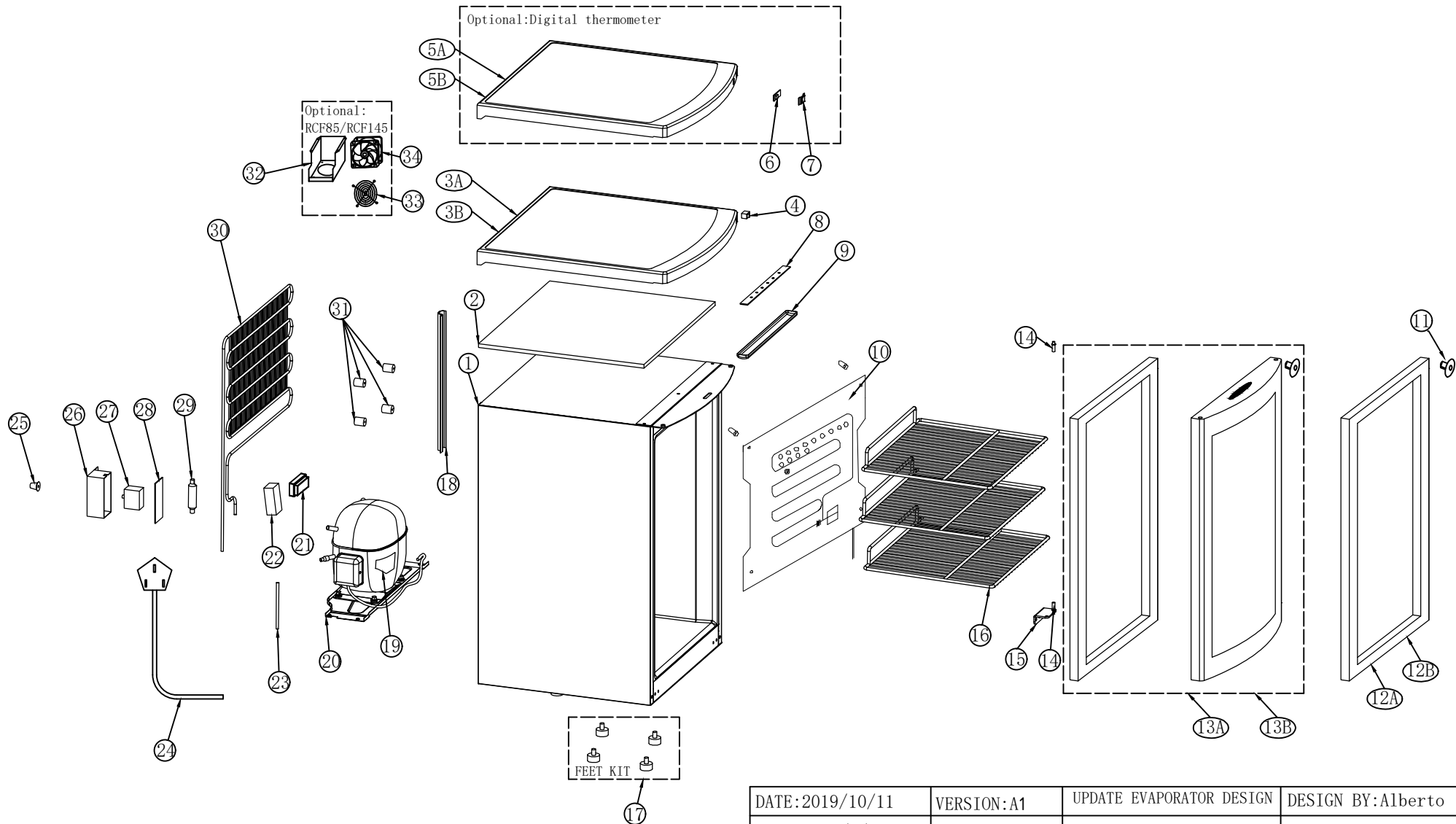
Spare-Parts List and Exploded View

(Ersatzteilliste-Explosionszeichnung)

Gewerbekühlschrank **KU 145 G**

[Art. 45110145]





ITEM N° 3:A)White color
 B)Gray color
 ITEM N° 5:A)White color
 B)Gray color

ITEM N° 12:A)White color
 B)Gray color
 ITEM N° 13:A)White color
 B)Gray color

DATE:2019/10/11	VERSION:A1	UPDATE EVAPORATOR DESIGN			DESIGN BY:Alberto
DATE:2016/6/14	VERSION:A0	DESCRIPTION			DESIGN BY:
		SCALE	MODEL	Q. TY	REMARKS:
		1:1			
MATERIAL:S4		EXPLODED VIEW			
DESIGN BY:Camilla					
APPROVED BY:Alberto		CATEGORY	TYPE	GROUP	PART N°
DATE:2016/6/14		EV	6AB1	A1	1000

Item Description **KU 145 G**

BOM Number 1
 Build Quantity 1
 Fixed Cost 0

Remark

Unit pc

BOM Components

Lev. 0	Item Number	Descr	Quantity	u.m.	Spare Part
	EV6AB1A11000	RC/F 85-RC/F 145 - EXPLODED VIEW DRAW.(Ver.A1-S10)White/Grey	1	pc	1
1	S46AB10A0W02	RC 145/RCF 145-FOAMED ASSEMBLED BODY (White Color)-(S10)	1	pc	1
2	C26AB00A0009	RC 85/145 Series-STYROFOAM TOP-(S10)	1	pc	1
3A	P06AB00A0W10	RC(F) 85/145 - WHITE TOP COVER (Without ElectThermom.)-(S10)	1	pc	1
3B	P06AB00A0G10	RC(F) 85/145 - GRAY TOP COVER (Without ElectThermom.)-(S10)	1	pc	1
4	E2314WH00001	KCD1 LIGHT SWITCH: TYPE KCD1-201/2P (A2K)	1	pc	1
5A	P06AB00A0W11	RC(F) 85/145 - WHITE TOP COVER(With Elect.Thermom.)-(S10)	1	pc	1
5B	P06AB00A0G11	RC(F) 85/145 - GRAY TOP COVER(With Elect.Thermom.)-(S10)	1	pc	1
6	E306AB0000002	RC 85/145 Series - ELECTRONIC THERMOMETER PCB+DISPLAY-(S10)	1	pc	1
7	P06AB00A0012	RC 85/145 Series-COVER FOR DIGITAL THERMOMETER-(S10)	1	pc	1
8	E22AL0030030	LED STRIPES LAMP-12VDC 3.36 W-N°21 HIGH BRIGHT	1	pc	1
9	P06AB00A0013	RC 85/145 Series-LED LIGHT TRANSPARENT COVER-(S10)	1	pc	1
10	A06AB07A0002	RC 85/145 Series - ROLL BOND EVAPORATOR-(White - S10)	1	pc	1
11	Z06AB02A0006	RC 85/145 Series - LOCK + N°1 KEYS-(S10)	1	pc	1
12A	R06AB12A0W04	RC 145/RCF 145 - WHITE GASKET DOOR-(S10)	1	pc	1
12B	R06AB12A0G04	RC 145/RCF 145 - GRAY GASKET DOOR-(S10)	1	pc	1
13A	S46AB12A0W03	RC(F) 145 -WHITE GLASS DOOR (INCLUDED GASKET AND LOCK)-(S10)	1	pc	1
13B	S46AB12A0G03	RC(F) 145 - GRAY GLASS DOOR (INCLUDED GASKET AND LOCK)-(S10)	1	pc	1
14	Z06AB02A0009	RC 85/145 Series-PIVOT FOR UPPER/BOTTOM HINGE-(S10)	2	pc	1
15	Z06AB02A0010	RC 85/145 Series-BOTTOM HINGE-(S10)	1	pc	1
16	I06AB09A0002	RC/RCF 85 - RC/RCF 145 - SHELF (410x350mm - S10)	3	pc	1
17	KITFT6AB0A00	RC 85/145 Series - FEET KIT (Dim. M8*40)-(S10)	1	pc	1
18	P06AB10A0W03	RC 145/RCS 145/RCF 145 - BACKGROUND WIRE COVER-(S10)	1	pc	1
19	E27B6P2W0000	ESZ60 COMP.WANBAO R600a-220/240V 50Hz-1 HP RSCR:	1	pc	1
20	Z06AB03A0005	RC 85/145 Series - ENGINE PLATE-(S10)	1	pc	1
21	E26B20120040	AC/DC ADAPTER MOD.D35V1200300	1	pc	1
22	E01A08004025	WIRING BOX (Dim.80*mm40mm*25mm)	1	pc	1
23	C06AB06A0003	RC 85/145 Series - PROCESS PIPE-(S10)	1	pc	1
24	E25EUB307530	POWER CORD 3x0,75 mmq - EU PLUG - BLACK COLOR 3.0 Mt	1	pc	1
25	P06AB03A0006	RC 85/145 Series - THERMOSTAT KNOB-(S10)	1	pc	1

26	P06AB03A0007	RC 85/145 Series - THERMOSTAT BOX-(S10)	1	pc	1
27	E20A001C1W10	NWP0A - SERIES NPW THERMOSTAT	1	pc	1
28	P06AB03A0008	RC 85/145 Series-THERMOSTAT BOX COVER-(S10)	1	pc	1
29	C06AB06A0001	RC 85/145 Series - DRYING AND FILTERING DEVICES (Dim.9g)	1	pc	1
30	I06AB08A0003	RC 85/145 Series - WIRE CONDENSER-(S10)	1	pc	1
31	R06AB08A0004	RC 85/145 - SPACER FOR WIRE CONDENSER-(S10)	1	pc	1