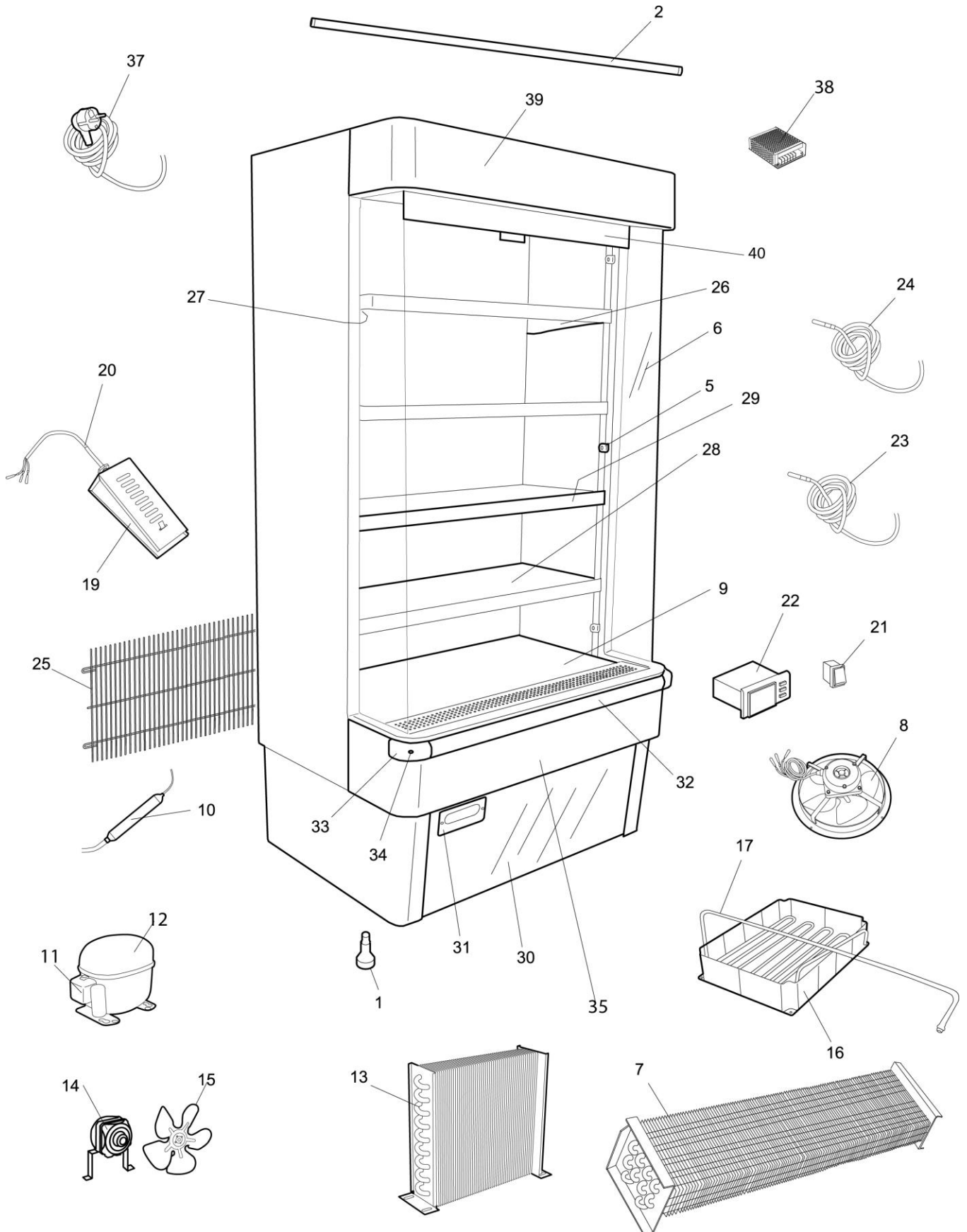


JOLLY SLX SB 10 T.NOTTE R452A (COD. E6142R3401)



Open wall display for sausages and dairy products

Spare parts drawing



Updated on
15/07/2019

JOLLY SLX SB 10 T.NOTTE R452A (COD. E6142R3401)

Open wall display for sausages and dairy products

Spare parts list

Ref.	Description	Code
1	ALU LEVELING FOOT M12	5601100
2	LED LAMP T5 L835	1112121
5	GLASS HOLDER PLATE MULTIDECK WHITE/9003	1722263
6	SIDE GLASS MULTIDECK	1751395
7	EVAPORATOR WINNER90 SL/FV-MULTIDECK 10 SL	4132091
8	EVAPORATOR FAN MOTOR 10W - FAN 200.19	4121134
9	BOTTOM SHELF MULTIDECK 10 304/BA	8915947
10	FILTER GR.50 XH9	3141041
11	ACCESSORIES SET NEK6217GK 220/240-50 CSR	1147493
12	COMPRESSOR NEK6217GK 220-240/50 CSR R404A	4108045
13	CONDENSER 20T-2R SLIM90-FV90-MULTIDECK10 SL	4112077
14	MOTOR FAN 10W 230-50/60 H72 M3	4022056
15	FAN 230X28° ALUMINUM	4022031
16	WATER EVAPORATION TRAY SLIM-TRIS ECONOMY	1722158
17	PLASTICIZ.PIPE COIL WATER TRAY MULTIDECK 10 SL	8922641
19	BRACKET RESIST.HOLDER DRAIN SLIM/TRIS/MULTID.ECO 304/2B	8915865
20	PTC CARTRIDGE RESISTANCE SLIM	1192081
21	TWO-POLE SWITCH BLACK	1014073
22	DIGITAL THERMOSTAT XR02CX MULTIDECK SL->	1188154
23	NTC L=2000 DIGITAL THERMOSTAT PROBE	1185050
24	NTC L=2000 DIGITAL THERMOSTAT PROBE PVC	1185052
25	REAR GRID MULTIDECK 10	0621270
26	RIGHT BRACKET FOR SHELF MULTIDECK - STAINLESS STEEL	8915837
27	LEFT BRACKET FOR SHELF MULTIDECK - STAINLESS STEEL	8915838
28	SHELF MULTIDECK 10 304/BA	8915948
29	ADESIVE PRICE HOLDER PROFILE MULTIDECK 10 WHITE	1712623
30	FRONT GRID MULTIDECK 10 ME (COFFEE) 430/SB	8530164
31	CONTROL BOARD MULTIDECK	1792520
32	CURVED BUMPER 995110 MM880 MULTID.10 BLACK/9005	1712649
33	ANGULAR CURVED BUMPER MULTIDECK BLACK	1723011
34	PLUG CURVED BUMPER D.8 BLACK/9005	3410799489002
35	REMOVABLE LOWER FRONT.PANEL MULTIDECK 10 430/SB	8530184
37	CABLE SUPPLY 3X1,5X3000 EUROPEAN PLUG TYPE SHUKO	1121014
38	POWER SUPPLY LED 24V REF.MW RS-75-24	1171011
39	REMOVABLE UPPER FRONT.PANEL MULTIDECK 10 430/SB	8530186
40	NIGHT BLIND L=898 H=1500 WINNER/SLIM90-MULTIDECK10 ->	8937009

* Price list without VAT. The prices of the accessories set are to be considered only if they are sold with the relevant compressors

The manufacturer will reserve the right to make any modification without prior notice.

Updated on
15/07/2019