

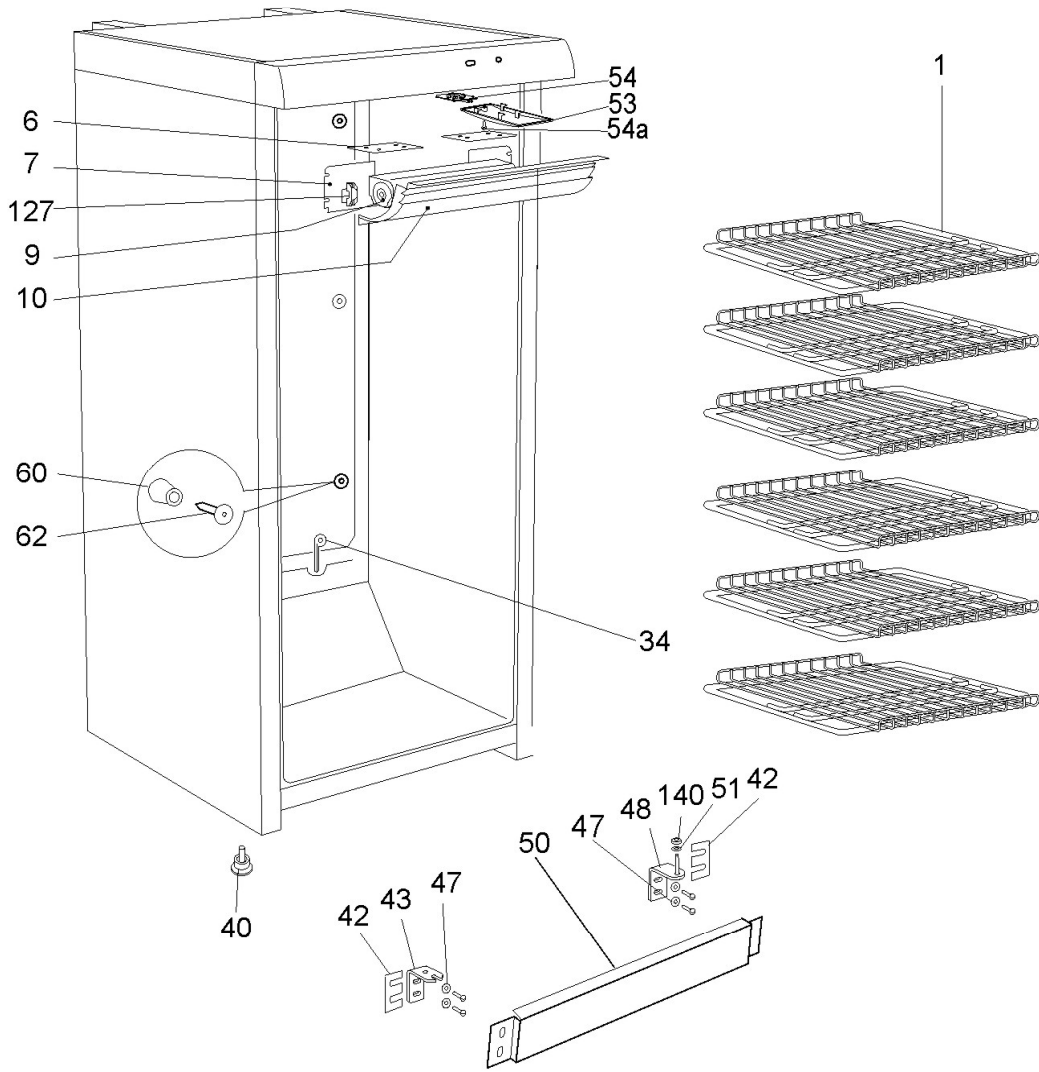
COOL-LINE-Kühlschrank

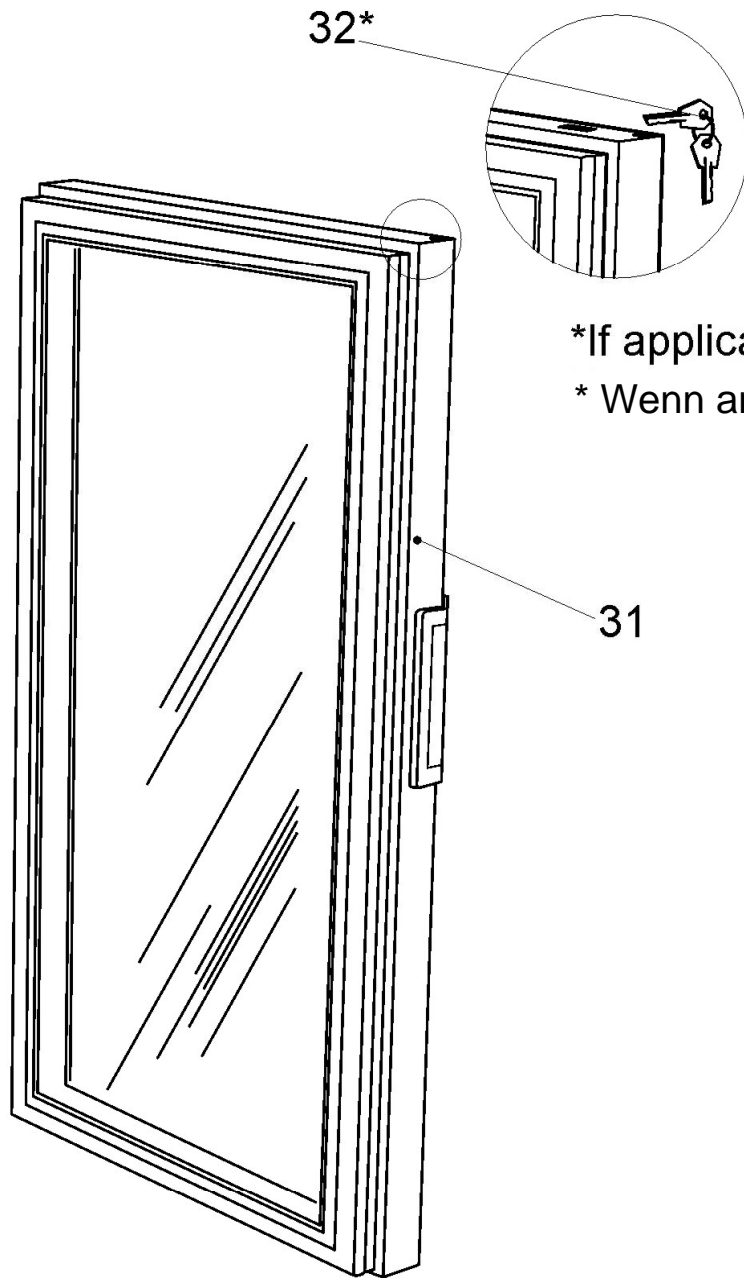
CD 350 LED

Art. 4703502101

Ersatzteilliste-Explosionszeichnung

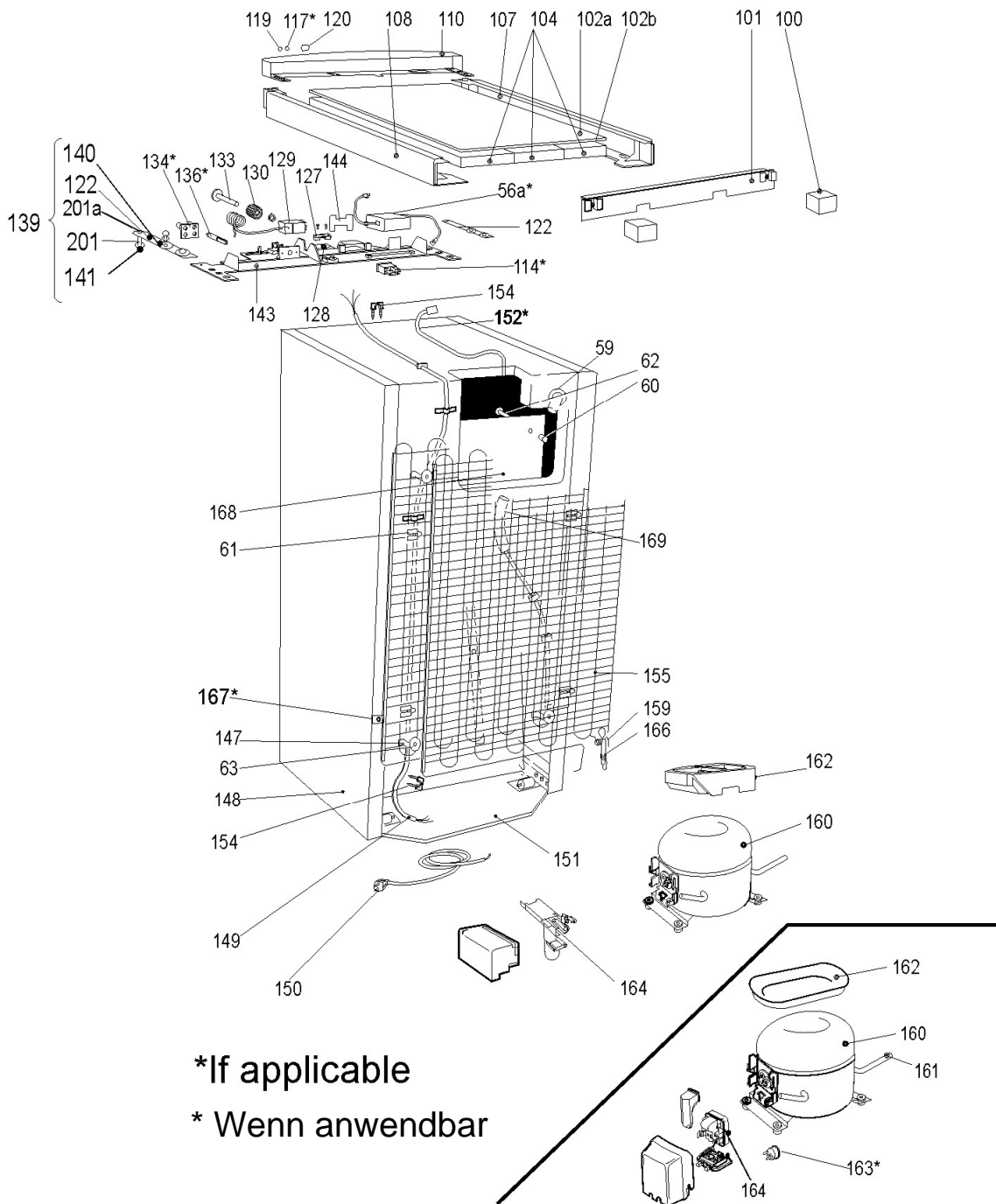
Catalogue of parts and units





*If applicable

* Wenn anwendbar



DE Ersatzteilliste-Explosionszeichnung

| Kode der Teil | Katalog Kode | Name |
|-----------------|--------------|------------------------------|
| D145028-00 | 154 | Klemme (Abb.3) |
| S220027-00 | 155 | Verflüssiger (Abb.3) |
| D132001 | 61 | Verbindungsstück (Abb.3) |
| M175136-01 | 159 | Technologische Rohre (Abb.3) |
| KKHMK12AA(B)-C4 | 160 | Kompressor (Abb.3) |
| D060173-O | 143 | Montagepaneel (Abb.3) |
| D100130 | 134 | Halter (Abb.3) |
| D100140-O | 144 | Halter (Abb.3) |
| D140117-O1 | 127 | Klammer (Abb.1) |
| M150427-00-Y1 | 128 | Platte (Abb.3) |
| D224008-O | 130 | Rädchen (Abb.3) |
| S571048 | 136 | Signalleuchte (Abb.3) |
| D253099OSN141 | 133 | Regler (Abb.3) |
| KRHMK12AA-C4 | 164 | Anlaßrelais (Abb.3) |
| V420090 | 129 | Thermoregler (Abb.3) |
| S229037 | 114 | Schalter (Abb.3) |
| V519150-08 | 149 | Elektrodraht (Abb.3) |
| V503063-04 | 150 | Netzdraht (Abb.3) |
| V430165-02-O1 | 168 | Verdampfer (Abb.3) |
| M950023-00-Y1 | 141 | Scheibe (Abb.3) |
| M950023-01-Y1 | 51 | Scheibe (Abb.1) |
| D315138-O | 102a | Deckel (Abb.3) |
| D357281 | 162 | Wanne (Abb.3) |
| D156095-00 | 102b | Zwischenlage (Abb.3) |
| D404026-00 | 53 | Leuchtarkörper (Abb.1) |
| S571057 | 54 | LED Montageplate (Abb.1) |
| M140135-00-4 | 167 | Klammer (Abb.3) |
| M150402-00-O1 | 6 | Platte (Abb.1) |
| D151113-O | 101 | Platte (Abb.3) |
| D156067-03 | 104 | Zwischenlage (Abb.3) |
| D161016-00-O | 107 | Winkel (Abb.3) |
| KFX44XCAMLOCK | 32 | Schloss (Abb.2) |
| D161016-01-O | 108 | Winkel (Abb.3) |
| D194073-O | 62 | Spund (Abb.1) |
| D315143-00 | 10 | Deckel (Abb.1) |
| D322042-00 | 169 | Verschlussklappe (Abb.3) |
| D327009 | 7 | Gardine (Abb.1) |
| 40081150.0510 | 54a | Schraube (Abb.1) |
| V433005 | 166 | Trocknenfilter (Abb.3) |
| KEQLK452400A3 | 9 | Ventilator (Abb.1) |
| M120204-00-Y1 | 122 | Konsole (Abb.3) |
| M206077-00 | 201 | Achse (Abb.3) |
| 40081050.0040 | 201a | Mutter M6 (Abb.3) |
| D-V320178-00-SP | 31 | Tür (Abb.2) |
| D212166-01 | 59 | Buchse (Abb.3) |
| V355302-00-OO | 148 | Schrank (Abb.3) |
| D212126 | 60 | Buchse (Abb.1) |
| M120077-00 | 147 | Konsole (Abb.3) |
| M120199-00-5IO1 | 43 | Konsole (Abb.1) |
| M150424-00-1IO1 | 50 | Platte (Abb.1) |
| V043041-00-J1 | 40 | Stütze (Abb.1) |
| V043056-00 | 151 | Stütze (Abb.3) |
| V120082-00-IO1 | 48 | Konsole (Abb.1) |
| V519202-00 | 152 | Elektrodraht (Abb.3) |
| M950018-00-Y1 | 47 | Scheibe (Abb.1) |
| D155194-00-O | 42 | Zwischenlage (Abb.1) |
| V054081-00-O1 | 1 | Metalregal (Abb.1) |
| D270080-O | 100 | Stütze (Abb.3) |
| D578002 | 34 | Reiniger (Abb.1) |
| D315117-04-O | 119 | Deckel (Abb.3) |
| D315117-01 | 117 | Deckel (Abb.3) |
| D315133 | 120 | Deckel (Abb.3) |
| D710019-O | 140 | Scheibe (Abb.1) |
| D710003 | 63 | Scheibe (Abb.3) |
| D060168OOL01SP | 110 | Dekorative Paneel (Abb.3) |

EN Catalogue of parts and units

| Part code | Catalog code | Name |
|-----------------|--------------|-----------------------------------|
| D145028-00 | 154 | Clamp (Pic.3) |
| S220027-00 | 155 | Block of condensers (Pic.3) |
| D132001 | 61 | Clip of condenser (Pic.3) |
| M175136-01 | 159 | Technological tube (Pic.3) |
| KKHMK12AA(B)-C4 | 160 | Compressor (Pic.3) |
| D060173-O | 143 | Mounting panel (Pic.3) |
| D100130 | 134 | Holder (Pic.3) |
| D100140-O | 144 | Holder (Pic.3) |
| D140117-O1 | 127 | Clip (Pic.1) |
| M150427-00-Y1 | 128 | Plate (Pic.3) |
| D224008-O | 130 | Wheel of thermostat dial (Pic.3) |
| S571048 | 136 | Signal lamp (Pic.3) |
| D253099OSN141 | 133 | Knob of thermostat (Pic.3) |
| KRHMK12AA-C4 | 164 | Starting relay (Pic.3) |
| V420090 | 129 | Thermostat (Pic.3) |
| S229037 | 114 | Light switch (Pic.3) |
| V519150-08 | 149 | Wiring (Pic.3) |
| V503063-04 | 150 | Supply cord (Pic.3) |
| V430165-02-O1 | 168 | Evaporator (Pic.3) |
| M950023-00-Y1 | 141 | Washer (Pic.3) |
| M950023-01-Y1 | 51 | Washer (Pic.1) |
| D315138-O | 102a | Top cover (Pic.3) |
| D357281 | 162 | Tray (Pic.3) |
| D156095-00 | 102b | Spacer (Pic.3) |
| D404026-00 | 53 | Cover of LED plate (Pic.1) |
| S571057 | 54 | LED mounting plate (Pic.1) |
| M140135-00-4 | 167 | Clip (Pic.3) |
| M150402-00-O1 | 6 | Plate (Pic.1) |
| D151113-O | 101 | Plate (Pic.3) |
| D156067-03 | 104 | Spacer (Pic.3) |
| D161016-00-O | 107 | Angle (Pic.3) |
| KFX44XCAMLOCK | 32 | Lock (Pic.2) |
| D161016-01-O | 108 | Angle (Pic.3) |
| D194073-O | 62 | Pin (Pic.1) |
| D315143-00 | 10 | Cover (Pic.1) |
| D322042-00 | 169 | Plug (Pic.3) |
| D327009 | 7 | Blind (Pic.1) |
| 40081150.0510 | 54a | Screw (Pic.1) |
| V433005 | 166 | Filter-dryer (Pic.3) |
| KEQLK452400A3 | 9 | Blower (Pic.1) |
| M120204-00-Y1 | 122 | Bracket (Pic.3) |
| M206077-00 | 201 | Axle (Pic.3) |
| 40081050.0040 | 201a | Nut M6 (Pic.3) |
| D-V320178-00-SP | 31 | Door (Pic.2) |
| D212166-01 | 59 | Bushing (Pic.3) |
| V355302-00-OO | 148 | Foamed cabinet (Pic.3) |
| D212126 | 60 | Bushing (Pic.1) |
| M120077-00 | 147 | Bracket (Pic.3) |
| M120199-00-5IO1 | 43 | Bottom bracket of door (Pic.1) |
| M150424-00-1IO1 | 50 | Plate (Pic.1) |
| V043041-00-J1 | 40 | Support (Pic.1) |
| V043056-00 | 151 | Support for compr. fixing (Pic.3) |
| V120082-00-IO1 | 48 | Bottom bracket of door (Pic.1) |
| V519202-00 | 152 | Wiring (Pic.3) |
| M950018-00-Y1 | 47 | Washer (Pic.1) |
| D155194-00-O | 42 | Spacer (Pic.1) |
| V054081-00-O1 | 1 | Metal shelf (Pic.1) |
| D270080-O | 100 | Support (Pic.3) |
| D578002 | 34 | Cleaning tool (Pic.1) |
| D315117-04-O | 119 | Cover (Pic.3) |
| D315117-01 | 117 | Cover (Pic.3) |
| D315133 | 120 | Cover (Pic.3) |
| D710019-O | 140 | Washer (Pic.1) |
| D710003 | 63 | Washer (Pic.3) |
| D060168OOL01SP | 110 | Decorative panel (Pic.3) |