

## Ersatzteilliste-Explosionszeichnung

Tiefkühltsch

### CLM-TK 650 2-7001

[Art. 402712675]



# ECOSTORE CL & BL h650

## Freezer

### Left side cooling unit

| Type reference | Ref | Page    | Description                                   | Brand |
|----------------|-----|---------|---|-------|
| H6NBT2BHC      | a   | 3 to 13 | Counter 2 compartments refrigerated CL BL 650 | all   |
| H6NBT3BHC      | b   | 3 to 13 | Counter 3 compartments refrigerated CL BL 650 | all   |
| H6NBT2B        | c   | 3 to 13 | Counter 2 compartments refrigerated BL 650    | all   |
| H6NBT3B        | d   | 3 to 13 | Counter 3 compartments refrigerated BL650     | all   |

#### Index

|  | Page    |
|--|---------|
| Identification Type Ref./Identificazione type Ref. | 2       |
| Body module/struttura tavolo                       | 3       |
| Spare part list/Lista ricambi                      | 4       |
| Door and drawers/ Porte e cassetti                 | 5,6,7,8 |
| Spare part list/Lista ricambi                      | 9       |
| Top/Ripiano  | 10      |
| Spare part list/Lista ricambi                      | 11      |
| Cooling unit Freezer/Gruppo Freezer R290&R404a     | 12      |
| Spare part list/Lista ricambi                      | 13      |
| Control panel/Pannello di controllo CL             | 14,15   |
| Spare part list/Lista ricambi                      | 16      |

...**Bold**= last change/Grassetto =ultima modifica

CL= concept line

BL= benefit line

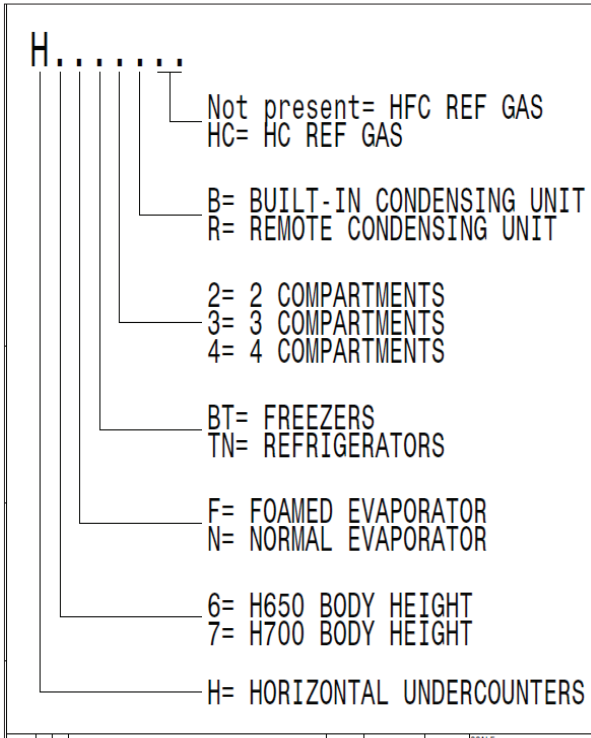
BL mini range= Handle door drawers short

BL new range = Handle door and drawers longer

## How to put in relation the “Type Ref.” reported on the data plate with the “Type reference” reported on the front page of the Spare Part Catalogue:

The “Type Ref.” represents a group of models/brands all with similar technical features, hence possible to be reported under the same scheme in terms of exploded views.

Find below an identification example: **H7NTN2BHC**



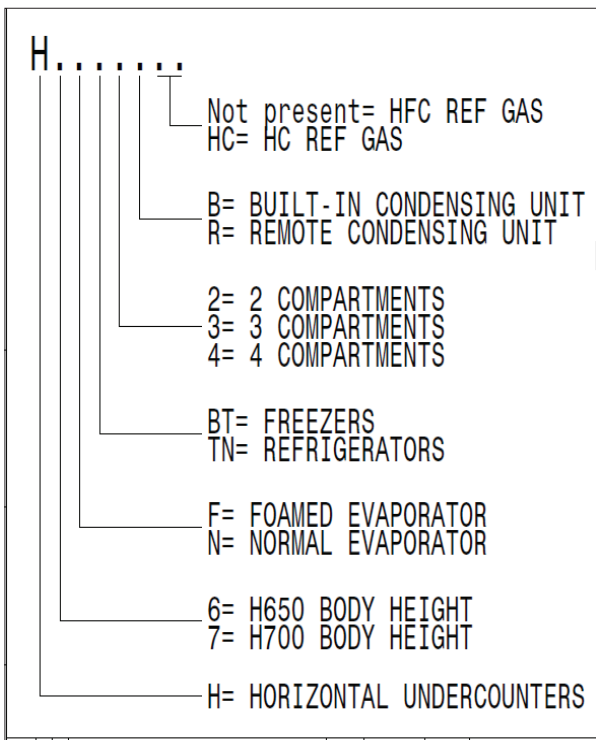
|   |                    |                                 |                      |
|---|--------------------|---------------------------------|----------------------|
| F. Mod. EH2H7AA   | Comm. Mod. EH2H7AA | Type Ref. <b>H7NTN2BHC</b>      | <b>2017</b>          |
| PNC 9VTX 710000 00  | Ser. No. 70810001  | Cyclopentane                    |                      |
| W Tot. 0.25 kW  | Volt 220-240 V     | 1 ~ 50 Hz                       | Total Current 1.9 A  |
| Potenza Sbrinamento / Defrost Power                                       | 0.29 kW            | Classe/Class 5                  | GWP 3 CO2-eq 0 t     |
| Resistenza Evaporazione/Evaporation Heater El.                            | kW                 | Refrigerante / Refrigerant R290 | 0,07 kg.             |
| Illuminazione / Lighting  | W                  | Cap. 240                        | <b>MADE IN ITALY</b> |
| NF nominal Charge   |                    |                                 |                      |
| Rated Pressure  | MPa                |                                 |                      |
| IP21  |                    |                                 |                      |
| Electrolux Professional SpA - Viale Treviso, 15 - 33170 Pordenone (Italy) |                    |                                 |                      |

For the right spare code identification follow the steps:

1. type in the website the PNC reported on the data plate.
2. The website will automatically display this spare part catalogue.
3. The spare part code at this point is referenced through the “Type reference” as from the front page by the relevant “Ref”.

## Come mettere in relazione il “Type Ref.” Riportato sulla targhetta caratteristica con il “Type reference” riportato sul frontespizio del catalogo ricambi:

Il “Type Ref.” Rappresenta un gruppo di modelli/marchi con simili caratteristiche tecniche, ossia possibili da rappresentare con il medesimo schema in termini di vista esplosa.



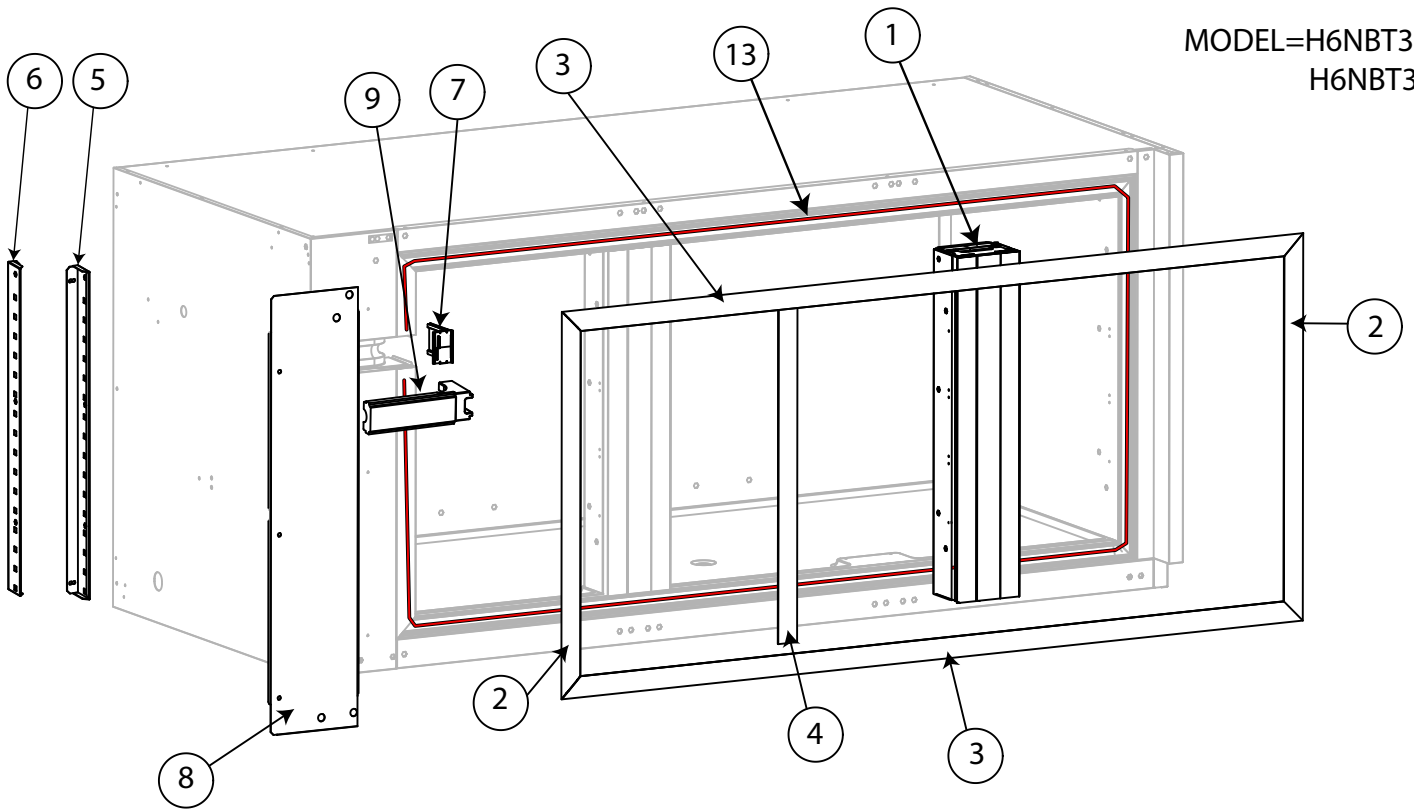
Qui di seguito un esempio di identificazione: **H7NTN2BHC**

|   |                    |                                 |                      |
|---|--------------------|---------------------------------|----------------------|
| F. Mod. EH2H7AA   | Comm. Mod. EH2H7AA | Type Ref. <b>H7NTN2BHC</b>      | <b>2017</b>          |
| PNC 9VTX 710000 00  | Ser. No. 70810001  | Cyclopentane                    |                      |
| W Tot. 0.25 kW  | Volt 220-240 V     | 1 ~ 50 Hz                       | Total Current 1.9 A  |
| Potenza Sbrinamento / Defrost Power                                       | 0.29 kW            | Classe/Class 5                  | GWP 3 CO2-eq 0 t     |
| Resistenza Evaporazione/Evaporation Heater El.                            | kW                 | Refrigerante / Refrigerant R290 | 0,07 kg.             |
| Illuminazione / Lighting  | W                  | Cap. 240                        | <b>MADE IN ITALY</b> |
| NF nominal Charge   |                    |                                 |                      |
| Rated Pressure  | MPa                |                                 |                      |
| IP21  |                    |                                 |                      |
| Electrolux Professional SpA - Viale Treviso, 15 - 33170 Pordenone (Italy) |                    |                                 |                      |

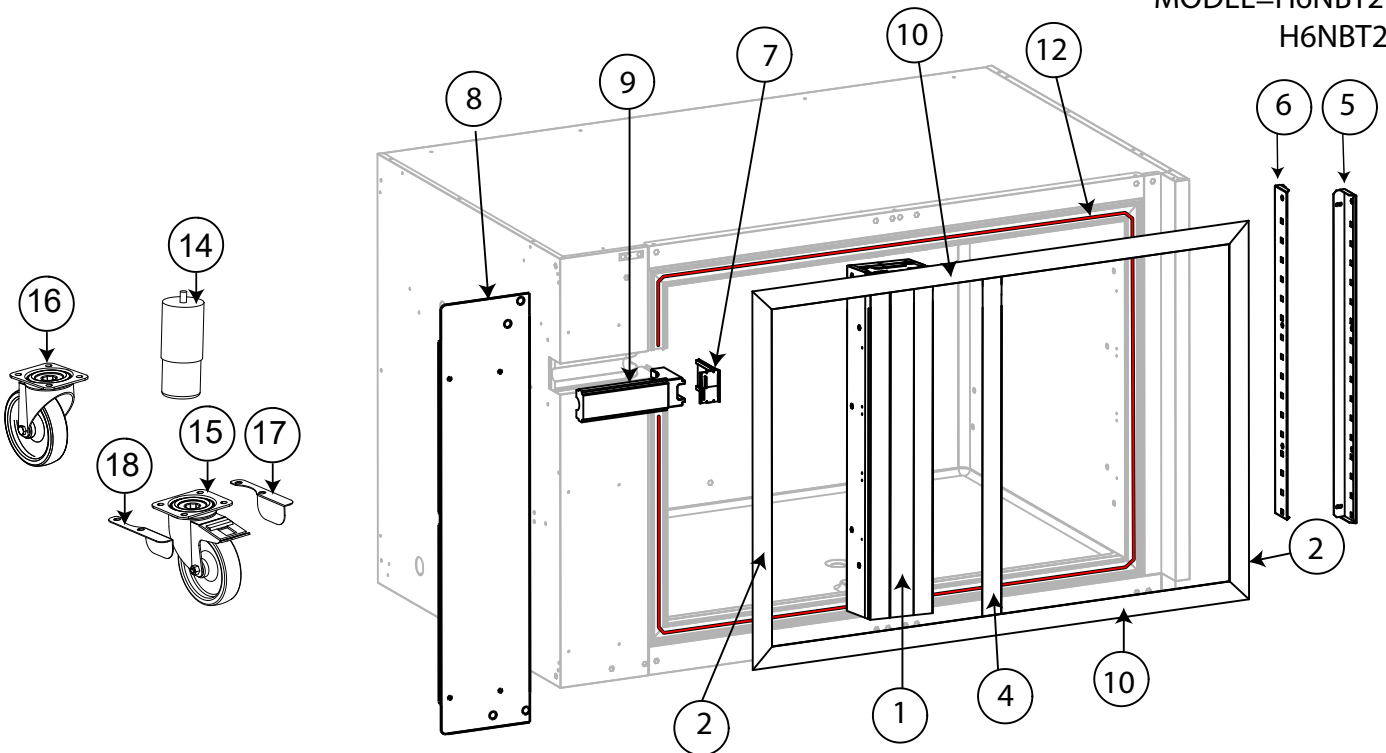
**Per identificare il corretto codice ricambio procedere con:**

1. Digitare nel website il PNC riportato sulla targhetta caratteristica.
2. Il website mostrerà automaticamente questo catalogo ricambi.
3. A questo punto, il codice ricambio è identificabile attraverso il “Type reference” come indicato nel frontespizio sotto la relativa voce “Ref”.

MODEL=H6NBT3BHC  
H6NBT3B

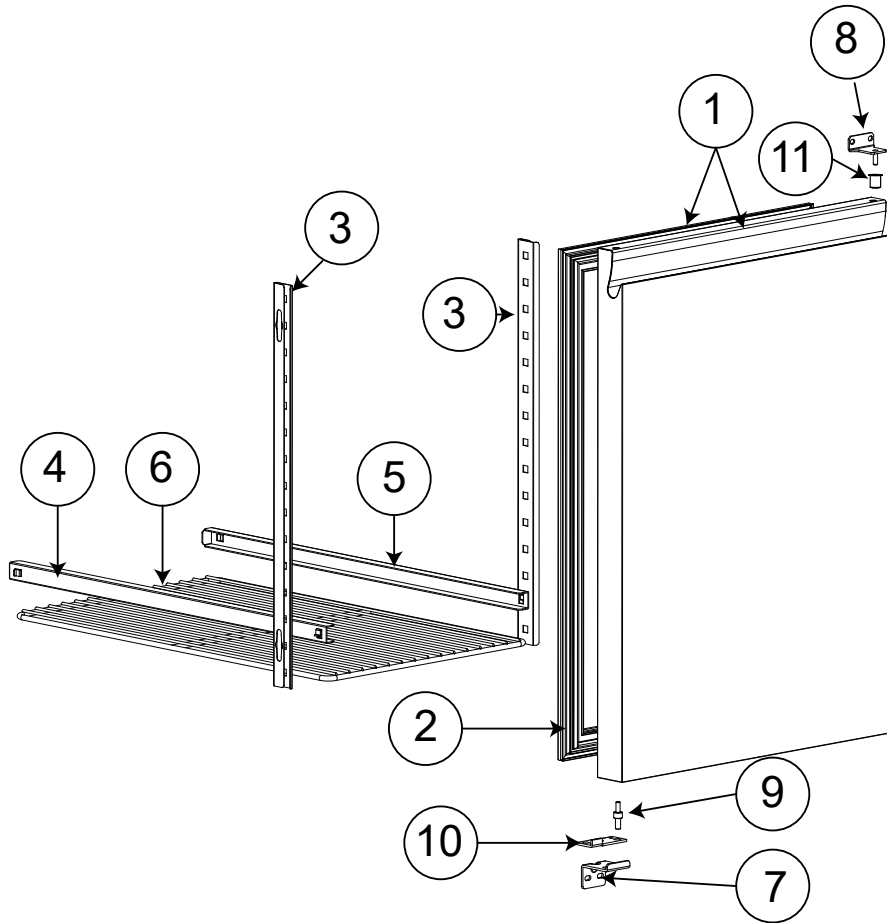


MODEL=H6NBT2BHC  
H6NBT2B

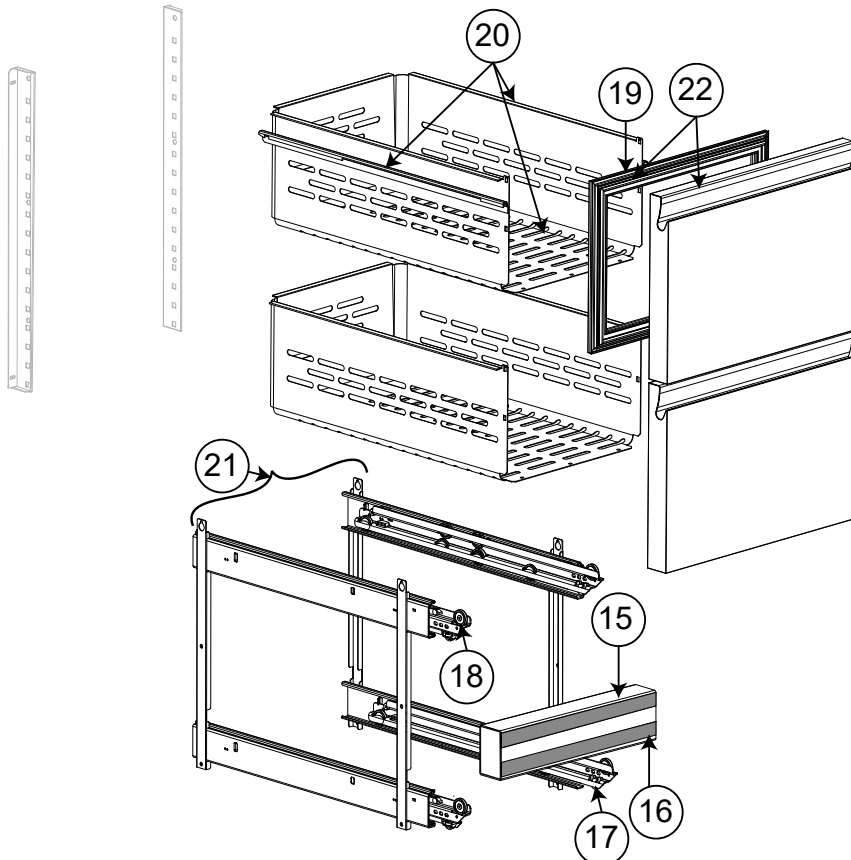


| Pos             | Code   | Factory code     | Description                             | Descrizione                        | Ref/notes                 |
|-----------------|--------|------------------|---|------------------------------------|---------------------------|
| Reference pag.3 |        |                  |   |                                    |                           |
| Body Assembly   |        |                  | Corpo schiumato                         |                                    |                           |
| 1               |        | <b>835R68001</b> | <b>FOAMED VERTICAL PILLAR ASSEMBLED</b> | <b>MONTANTE ASSEMBLATO</b>         | Up to 2019/38             |
| 1               |        | <b>835R67801</b> | <b>FOAMED VERTICAL PILLAR ASSEMBLED</b> | <b>MONTANTE ASSEMBLATO</b>         | From 2019/39              |
| 2               |        | 543R21800        | VERTICAL FRAME COVER                    | COPERCHIO CORN.VERT. TAV 2V BT     |                           |
| 3               | 095253 | 543R19500        | HORIZONTAL FRAME COVER                  | COPERCHIO CORN ORIZZ TAV 3V BT     | b                         |
| 4               |        | 543R21900        | VERTICAL FRAME FOR PILLAR               | CORNICE VERTICALE MONTANTE         |                           |
| 5               |        | 503R75101        | REAR RIGHT SUPPORT GRIDS H650           | SUPPORTO POSTERIORE DX             |                           |
| 6               |        | 503R75201        | REAR LEFT SUPPORT GRIDS H650            | SUPPORTO POSTERIORE SX             |                           |
| 7               | 095323 | 543R17804        | HEAT EXCHANGER HOUSING SIDE             | COPERTURA TUBI SCAMBIATORE         |                           |
| 8               |        | 503R65300        | FRONT COVER PANEL SIDE (LEFT)           | PANNELLO FRONTALE SX A304          |                           |
| 9               | 095225 | 569R09502        | INSULATION BLOCK HEAT EXCH.             | ISOLAMENTO PER TUBI SCAMBIATO.     |                           |
| 10              | 095254 | 543R19400        | HORIZONTAL FRAME COVER                  | COPERCHIO CORN ORIZZ TAV 2V        | a                         |
| 12              | 095649 | 617R23200        | FRAME HEATING CABLE 2V L 4140 mm        | CAVO RISCALDANTE CORNICI 2V        | only door (5W/M)          |
| 12              | 095658 | 617R21300        | FRAME HEATING CABLE 2V L 4970 mm        | CAVO RISCALDANTE CORNICI 2V        | 1 door_2 1/2 draw. (5W/M) |
| 12              | 095659 | 617R21500        | FRAME HEATING CABLE 2V L 5800 mm        | CAVO RISCALDANTE CORNICI 2V        | 4 1/2 draw. (5W/M)        |
| 13              | 095650 | 617R23400        | FRAME HEATING CABLE 3V L 6020 mm        | CAVO RISCALDANTE CORNICI 3V        | only door (5W/M)          |
| 13              | 095660 | 617R21700        | FRAME HEATING CABLE 3V L 6850 mm        | CAVO RISCALDANTE CORNICI 3V        | 2 door_2 1/2 draw. (5W/M) |
| 13              | 095661 | 617R21800        | FRAME HEATING CABLE 3V L 7680 mm        | CAVO RISCALDANTE CORNICI 3V        | 1 door_4 1/2 draw. (5W/M) |
| 13              | 095662 | 617R21900        | FRAME HEATING CABLE 3V L 8510 mm        | CAVO RISCALDANTE CORNICI 3V        | 6 1/2 draw. (5W/M)        |
| 14              | 091610 | 518R01100        | FOOT H 150 WITH CENTRAL SCREW           | PIEDE VITE CENT.+ RIVEST.INOX H150 |                           |
| 15              | 087110 | 835739900        | WHEEL WITH BRAKE H155                   | RUOTA A PIASTRA ROT. CON FRENO     | H = 155                   |
| 15              | 095544 | 518R08700        | WHEEL WITH BRAKE H100                   | RUOTA A PIASTRA ROT. CON FRENO     | H = 100                   |
| 16              | 087111 | 835740000        | WHEEL WITH-OUT BRAKE H155               | RUOTA A PIASTRA ROT. NO FRENO      | H = 155                   |
| 16              | 095545 | 518R08800        | WHEEL WITH-OUT BRAKE H100               | RUOTA A PIASTRA ROT. NO FRENO      | H = 100                   |
| 17              | 095324 | 503R38501        | RIGHT WHEEL LEVER BRAKE                 | FERMO RUOTA DESTRO                 |                           |
| 18              | 095325 | 503R38601        | LEFT WHEEL LEVER BRAKE                  | FERMO RUOTA SINISTRO               |                           |
| 19              |        |                  |   |                                    |                           |
| 20              |        |                  |   |                                    |                           |
| 21              |        |                  |   |                                    |                           |

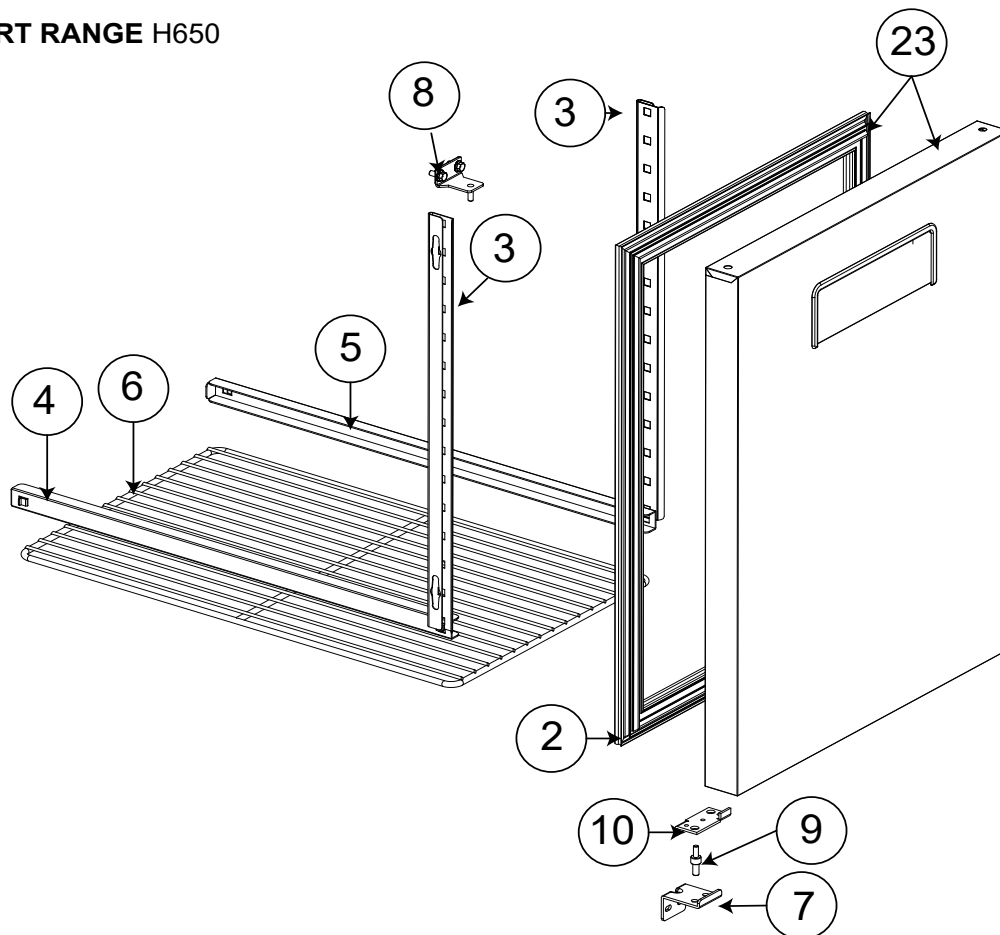
CL H650  
DOOR



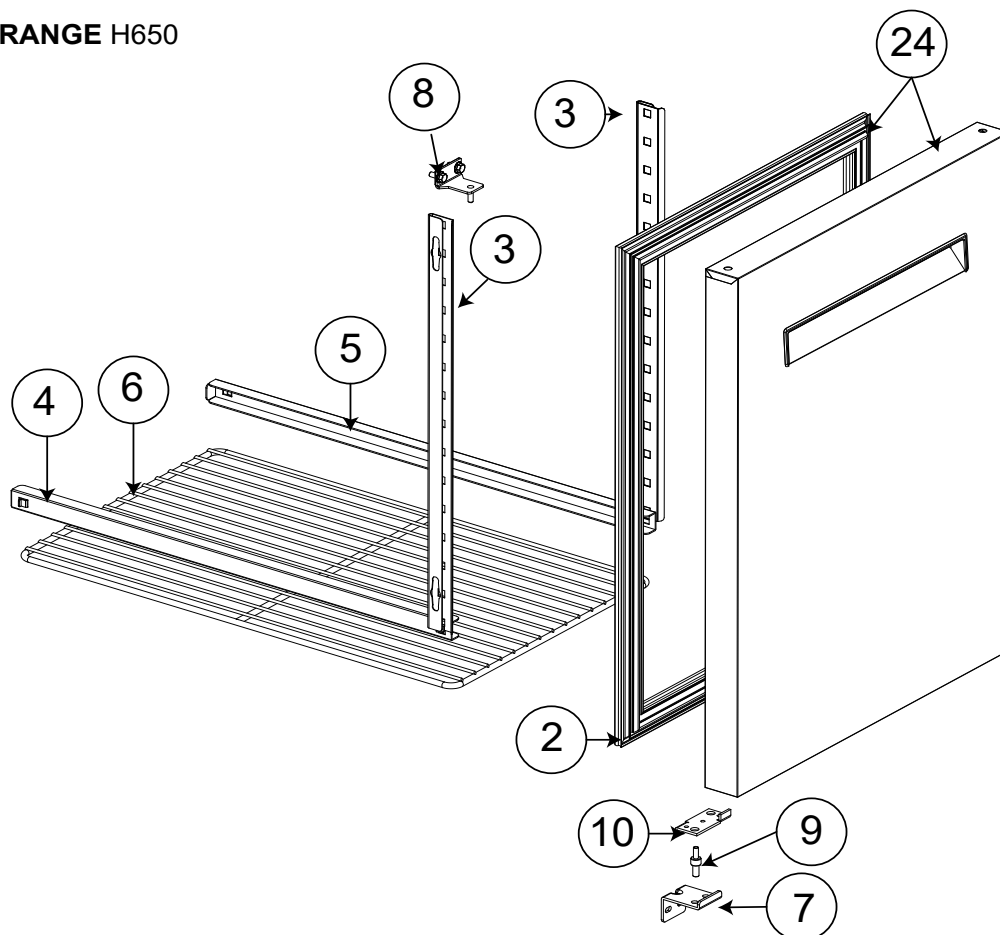
CL H650  
DRAW. 1/2



**BL SHORT RANGE H650  
DOOR**

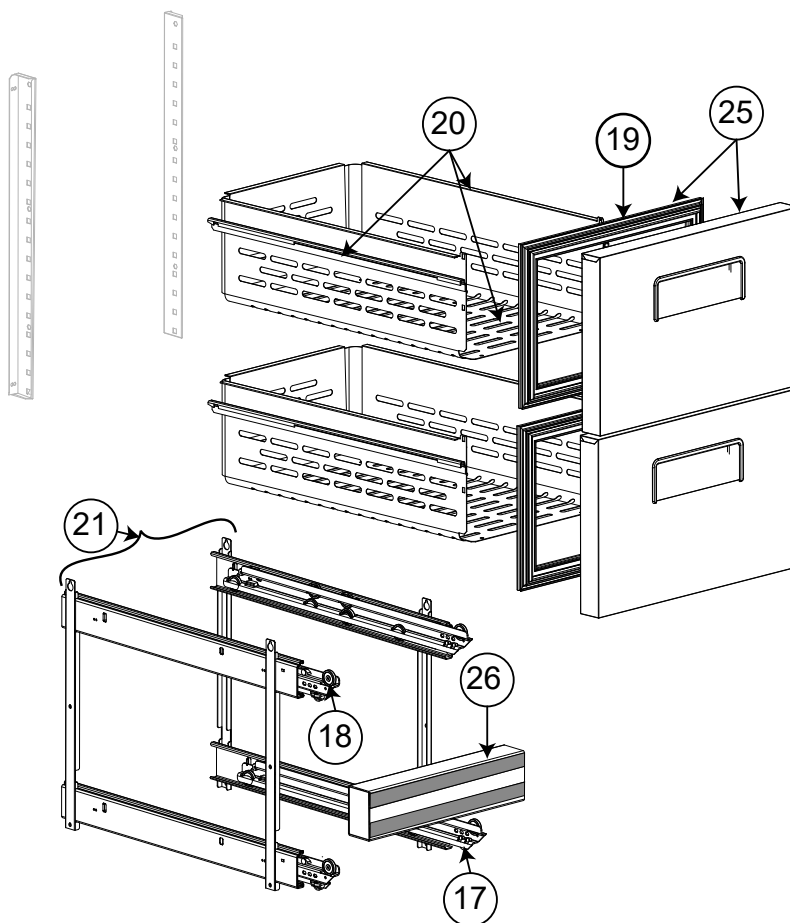


**BL NEW RANGE H650  
DOOR**

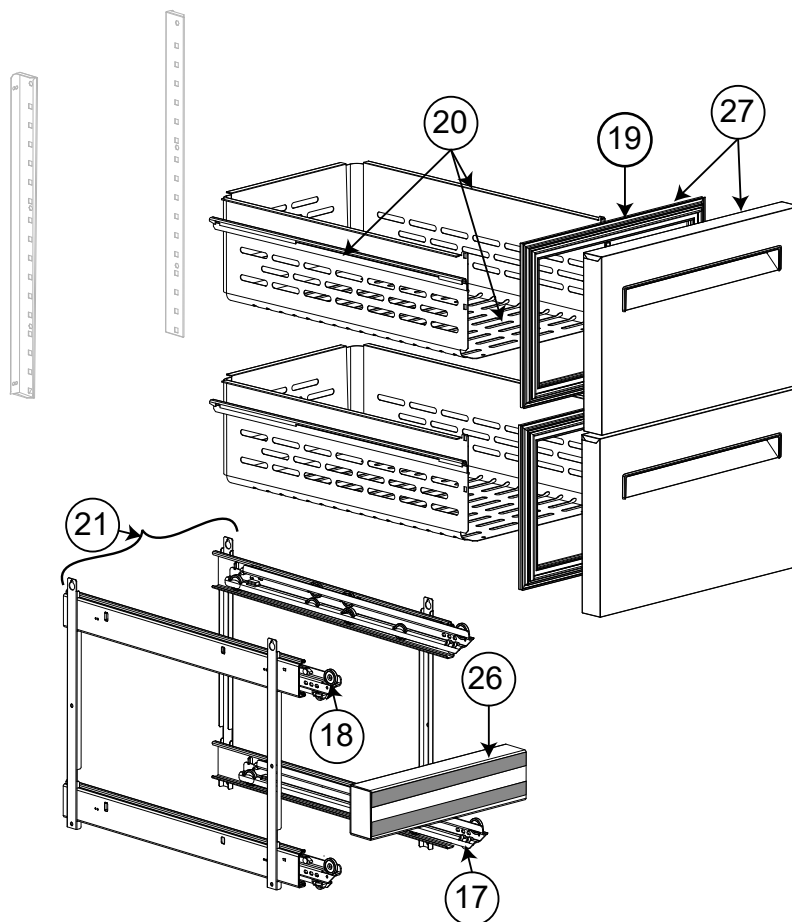




**BL (Short range) H650**  
DRAW.1/2

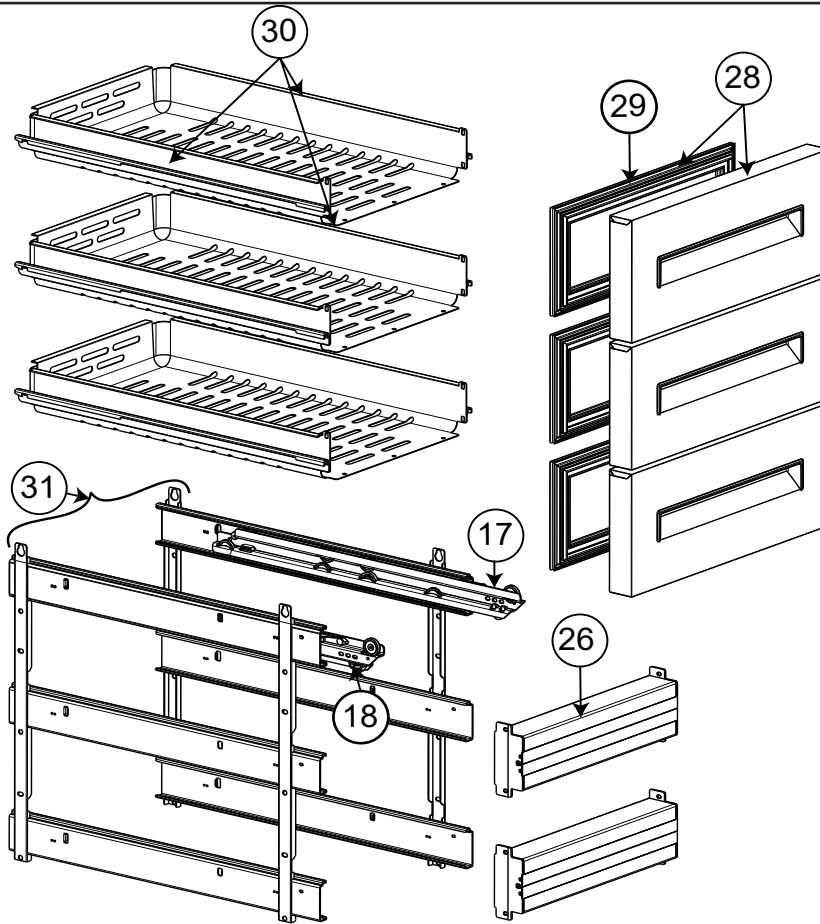


**BL (New range) H650**  
DRAW.1/2

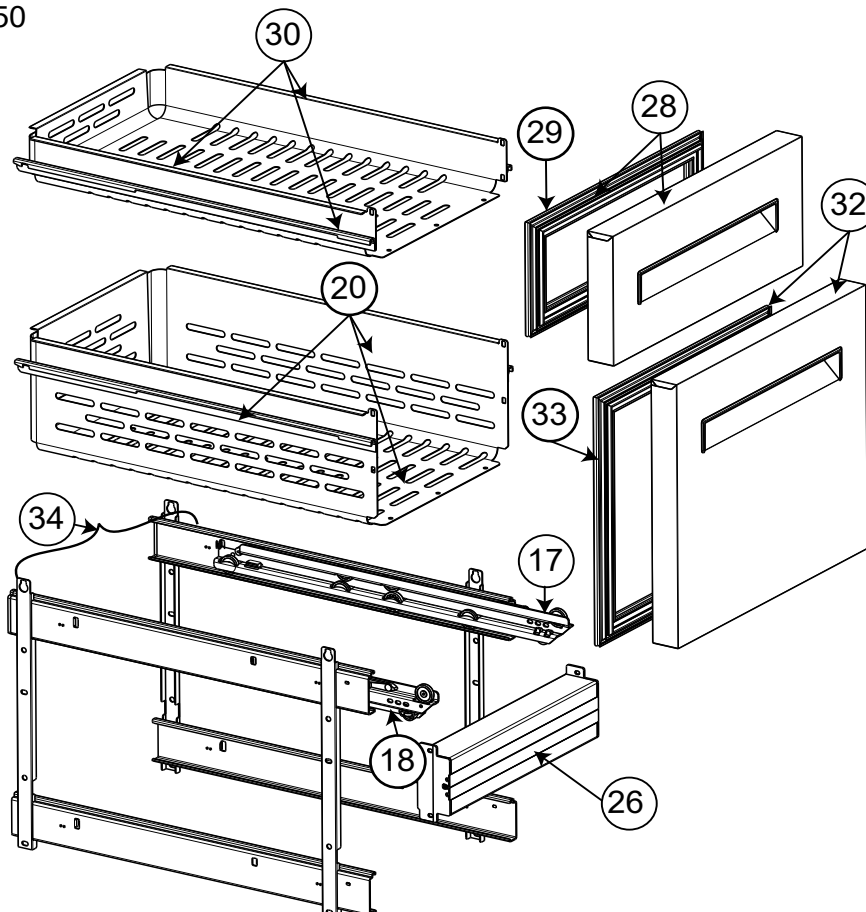




**BL (New range) H650**  
DRAW.1/3

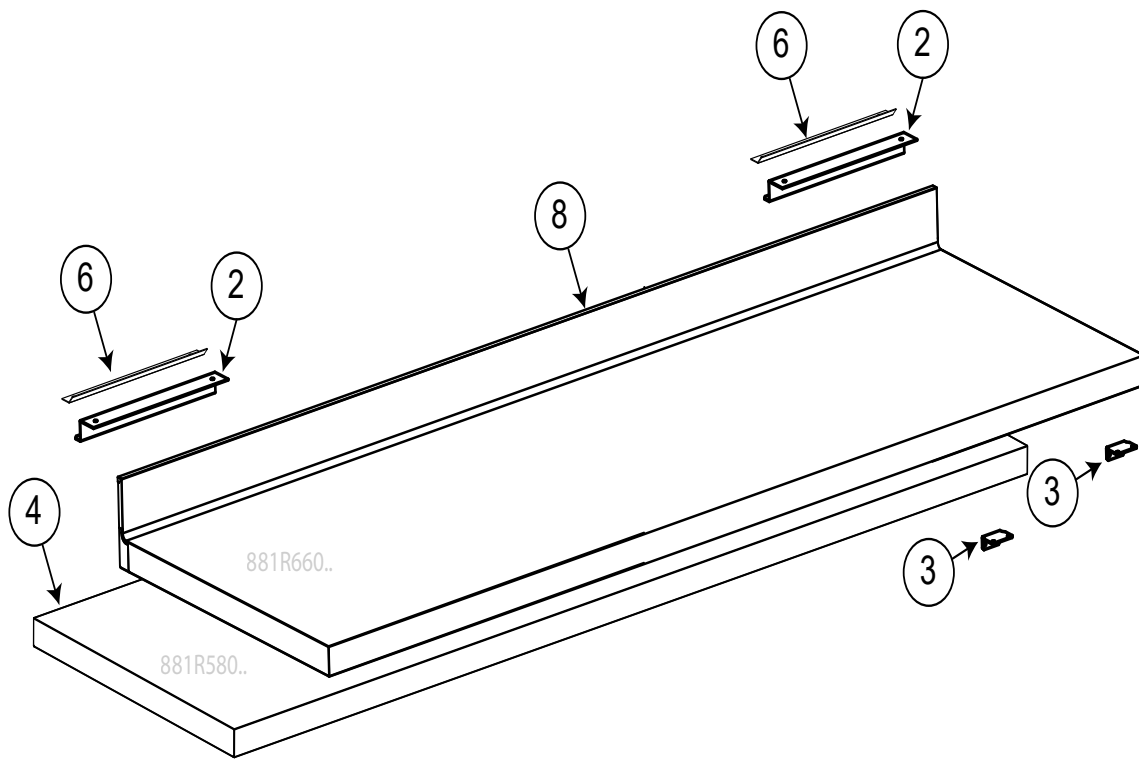


**BL (New range) H650**  
DRAW.Bottle

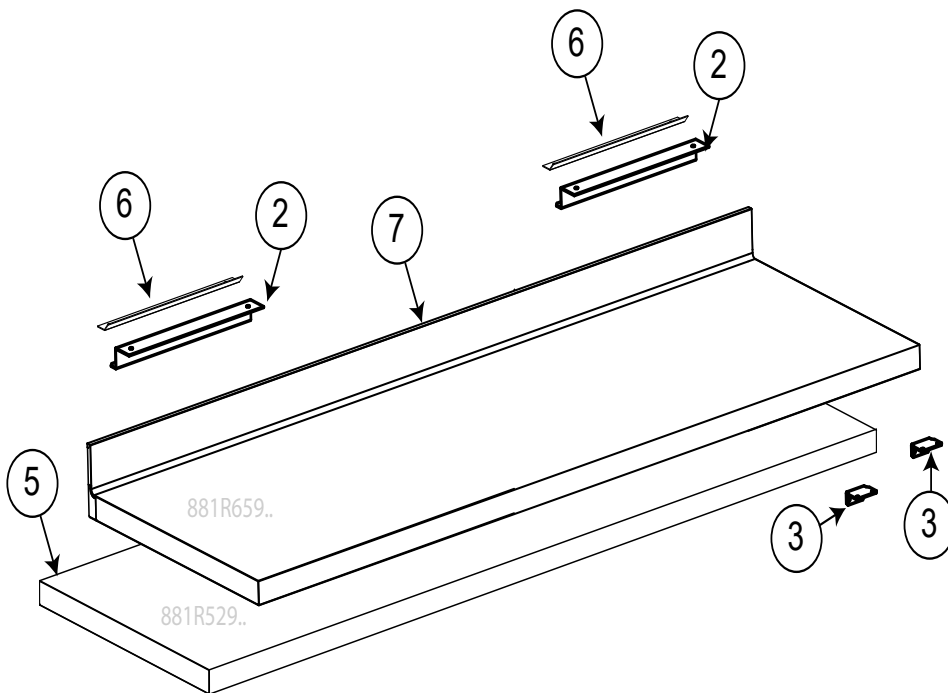


| Pos                      | Code   | Factory code | Description                       | Descrizione                        | Ref/notes            |
|--------------------------|--------|--------------|-----------------------------------|------------------------------------|----------------------|
| reference pag. 5-6-7-8   |        |              |                                   |                                    |                      |
| <b>Doors and Drawers</b> |        |              | <b>Porta e Cassetti</b>           |                                    |                      |
| 1                        | 095832 | 835R63802    | FOAMED D. ASSEMBLY H650 CL        | PORTA SCHIU. CON GUARNI.APX_ZAN    | brand Apx CL         |
| 2                        | 095657 | 548R11400    | MAGNETIC GASKET H650              | GUARNIZIONE PORTA                  |                      |
| 3                        | 095227 | 503R09702    | FRONT SUPPORT GRIDS H700          | FRONTALE SUPPORTO GUIDE            |                      |
| 4                        | 095228 | 502R84601    | LEFT GUIDE FOR SHELF              | GUIDA A "C" SX TAV NGC H700/H650   |                      |
| 5                        | 095229 | 502R84701    | RIGHT GUIDE FOR SHELF             | GUIDA A "C" DX TAV NGC H700/H650   |                      |
| 6                        | 095231 | 514R23500    | SHELF                             | GRIGLIA RILSAN TAVOLO H650/H700    |                      |
| 7                        | 095326 | 505R23702    | LOWER HINGE H650/H700             | CERNIERA INFERIORE                 |                      |
| 8                        | 095327 | 505R23803    | UPPER HINGE H650/H700             | CERNIERA SUPERIORE                 |                      |
| 9                        | 087667 | 514746701    | PIN FOR DOOR                      | PERNO PER CERNIERA INFERIORE       |                      |
| 10                       | 089146 | 800735200    | DOOR OPENING END COURSE           | PIASTRINA FERMO BATTUTA PORTA      |                      |
| 11                       | 081807 | 549700000    | DOOR BUSH                         | BOCCOLA X CERNIERA                 |                      |
| 15                       | 095366 | 835R53802    | FOAM PILLAR ASS. - DRAWERS        | TRAVERSA CASSETTO 1/ E 1/2 BT      | only freezer foamed  |
| 16                       |        | 543R18001    | FRAME FOR PILLAR DRAWERS          | CORNICI MONTANTE CASSETTO          |                      |
| 17                       | 095267 | 832R23300    | RIGHT SLIDING GUIDE               | GUIDA SCORREVOLE DX                |                      |
| 18                       | 095266 | 832R23200    | LEFT SLIDING GUIDE                | GUIDA SCORREVOLE SX                |                      |
| 19                       | 095655 | 548R13100    | GASKET DRAWER 1/2                 | GUARNIZ.CASS.1/2 TAV NGC H650      |                      |
| 20                       | 095873 | 833R40700    | 1/2 DRAW+GUIDES (WITHOUT FRONTAL) | INVOLUCRO CON GUIDE                |                      |
| 21                       | 096136 | 833R40900    | 1/2 SUPPORT +GUIDE ASSEMBLY       | SUPP. TELAIO DX E SX CASS.1/2      |                      |
| 22                       | 095833 | 835R63902    | FOAMED FRONT DRAW. 1/2 APX        | ASS.CASS.1/2 SCHIUM. APX           | Apx_Zan (+GASKET) CL |
| 23                       | 096127 | 835R68201    | FOAM. DOOR ASSEMBLY H650 BL MG    | ASS. PORTA BL MINI GAMMA           | BL (SHORT RANGE)     |
| 24                       | 096128 | 835R70401    | FOAM. DOOR ASSEMBLY H650 BL NEW   | ASS. PORTA BL NEW RANGE            | BL NEW RANGE         |
| 25                       | 096129 | 835R68301    | 1/2 DRAWER ASSEMBY H650 BL/SB     | ASS.CASS.1/2 SCHIUM. (Minigamma)   | BL (SHORT RANGE)     |
| 26                       | 096130 | 835R70800    | FOAM PILLAR ASS. - DRAWERS        | TRAVERSA CASSETTO 1/ E 1/2 BT      | BL                   |
| 27                       | 096131 | 835R70501    | 1/2 FOAM. DRAWER BL H650 new ran. | ASS.CASS.1/2 SCHIUM. (New range)   | BL NEW RANGE         |
| 28                       | 096132 | 835R70601    | 1/3 FOAM. DRAWER BL H650          | ASS.CASS.1/3 SCHIUM. (New range)   | BL NEW RANGE         |
| 29                       | 095654 | 548R13200    | 1/3 MAGNETIC GASKET               | GUARNIZ.CASS.1/3 TAV               | BL NEW RANGE         |
| 30                       | 096133 | 833R40801    | 1/3 DRAWER ASSEMBY H650 BL        | ASS.INVOL. CASSETTO+GUIDE 1/3      | BL NEW RANGE         |
| 31                       | 096134 | 833R41000    | 1/3 SUPPORT +GUIDE ASSEMBLY       | SUPP. TELAIO DX E SX CASS.1/3      | BL NEW RANGE         |
| 32                       | 096135 | 835R70700    | 2/3 FOAM. DRAWER ASSEM. BL H650   | ASS.CASS.2/3 SCHIUM. (New range)   |                      |
| 33                       | 095656 | 548R13700    | 2/3 MAGNETIC GASKET               | GUARNIZ.CASS.2/3 TAV               |                      |
| 34                       | 096136 | 833R40900    | 1/3_ 2/3 SUPPORT +GUIDE ASSEMBLY  | SUPP. TELAIO DX E SX CASS.1/3_ 2/3 |                      |
|                          |        |              |                                   |                                    |                      |
|                          |        |              |                                   |                                    |                      |
|                          |        |              |                                   |                                    |                      |
|                          |        |              |                                   |                                    |                      |
|                          |        |              |                                   |                                    |                      |

\*= On demand



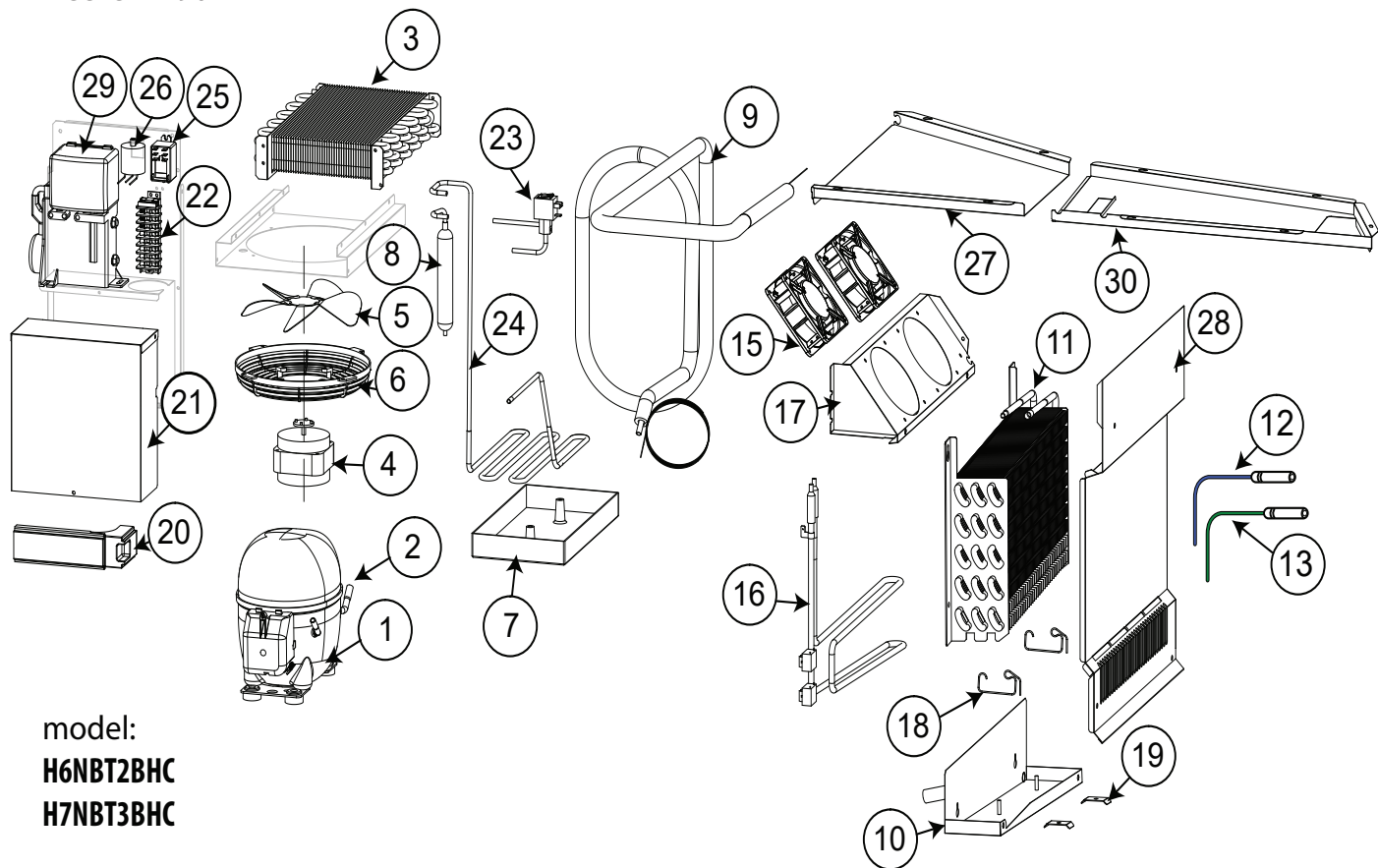
MODEL= H6NBT3BHC  
H6NBT3B



MODEL=H6NBT2BHC  
H6NBT2B

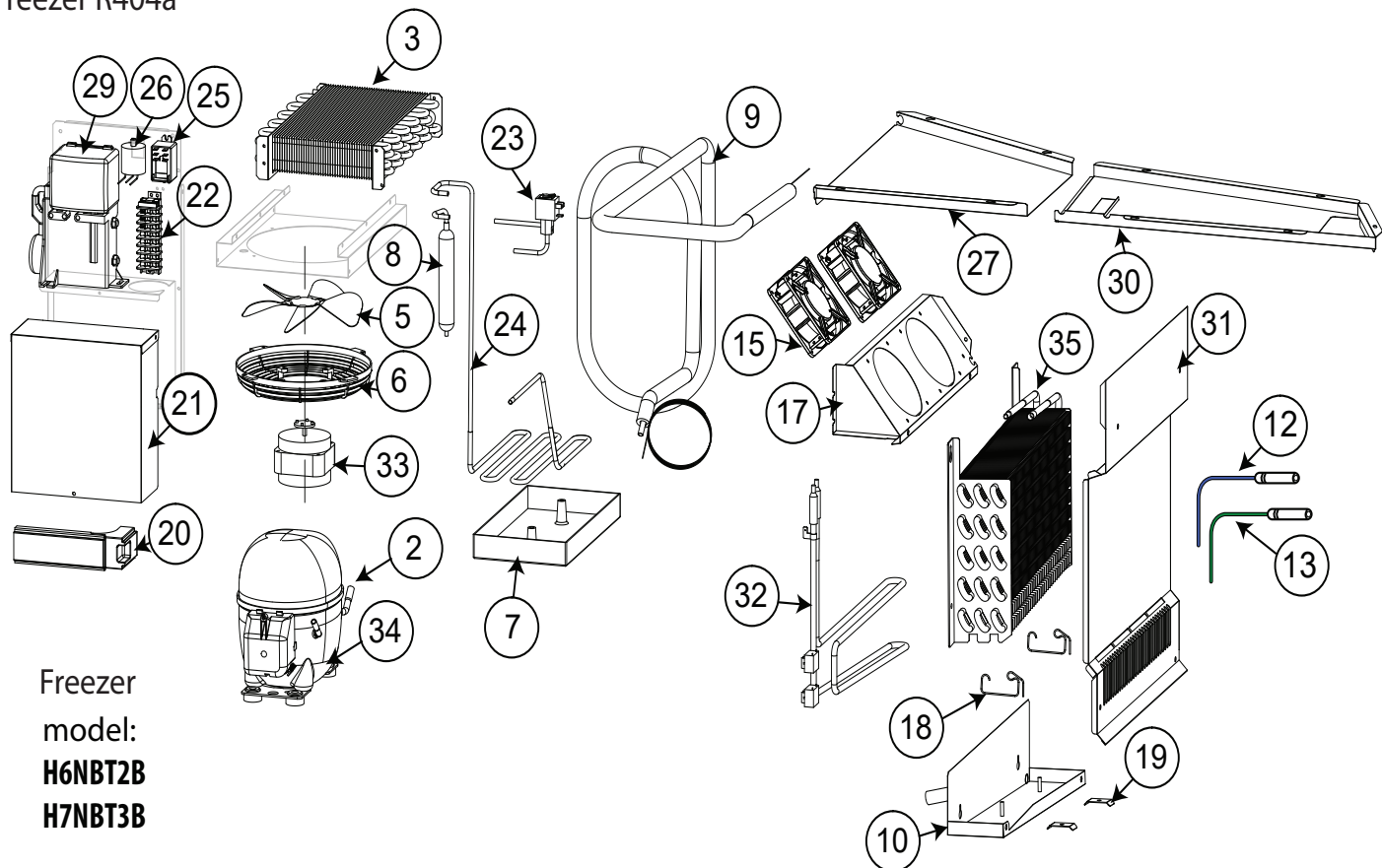
| Pos              | Code   | Factory code | Description                       | Descrizione                   | Ref/notes            |
|------------------|--------|--------------|-----------------------------------|-------------------------------|----------------------|
| reference pag.10 |        |              |                                   |                               |                      |
| <b>Worktop</b>   |        |              | <b>Top</b>                        |                               |                      |
| 2                |        | 501775700    | HOOK FOR TOP                      | GANCIO PER RIPIANO            |                      |
| 3                | 095330 | 505R25301    | BRACKET SHELF                     | STAFFA PER RIPIANO            |                      |
| 4                | 095562 | 881R58003    | WORKTOP MODULE 3C H50 "R-L"       | TOP 3 VANI H 50 DX-SX         | b (without S.back)   |
| 5                | 095564 | 881R52904    | WORKTOP MODULE 2C H50 "R-L"       | TOP 2 VANI H 50 DX-SX         | a,c (without S.back) |
| 6                | 093186 | 505751500    | HOOK FOR TOP ON THE COUNTER       | FISSAGGIO RIPIANO AL TAVOLO   |                      |
| 7                | 095367 | 835R57202    | WORKTOP ASS. WITH S.BACK 2C "R-L" | TOP CON ALZATINA 2 VANI DX-SX | a,c (whit S.back)    |
| 8                | 095368 | 835R57302    | WORKTOP ASSEMBLY 3C S/BACK "R-L"  | TOP CON ALZATINA 3 VANI DX-SX | b (whit S.back)      |
| 9                |        |              |                                   |                               |                      |
| 10               |        |              |                                   |                               |                      |
| 11               |        |              |                                   |                               |                      |
| 12               |        |              |                                   |                               |                      |
| 13               |        |              |                                   |                               |                      |
| 14               |        |              |                                   |                               |                      |
| 15               |        |              |                                   |                               |                      |
| 16               |        |              |                                   |                               |                      |
| 17               |        |              |                                   |                               |                      |
| 18               |        |              |                                   |                               |                      |
| 19               |        |              |                                   |                               |                      |
| 20               |        |              |                                   |                               |                      |
| 21               |        |              |                                   |                               |                      |
| 22               |        |              |                                   |                               |                      |
| 23               |        |              |                                   |                               |                      |
| 24               |        |              |                                   |                               |                      |
|                  |        |              |                                   |                               |                      |
|                  |        |              |                                   |                               |                      |

Freezer R290



model:  
**H6NBT2BHC**  
**H7NBT3BHC**

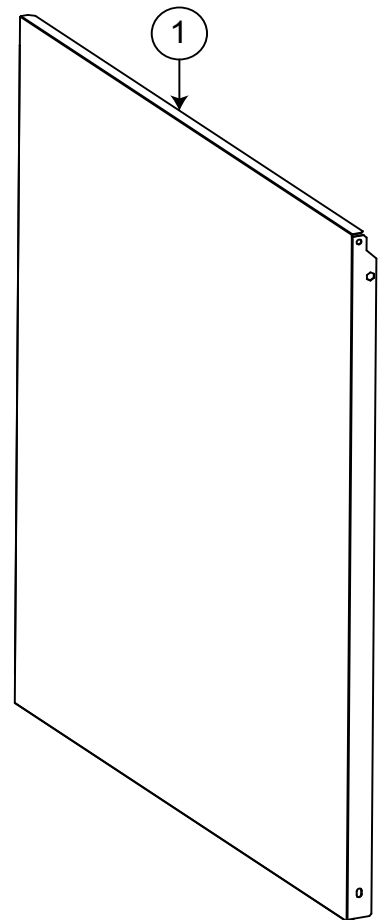
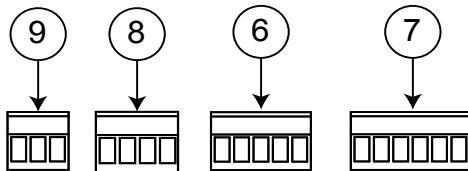
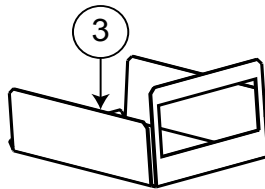
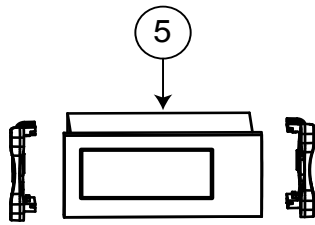
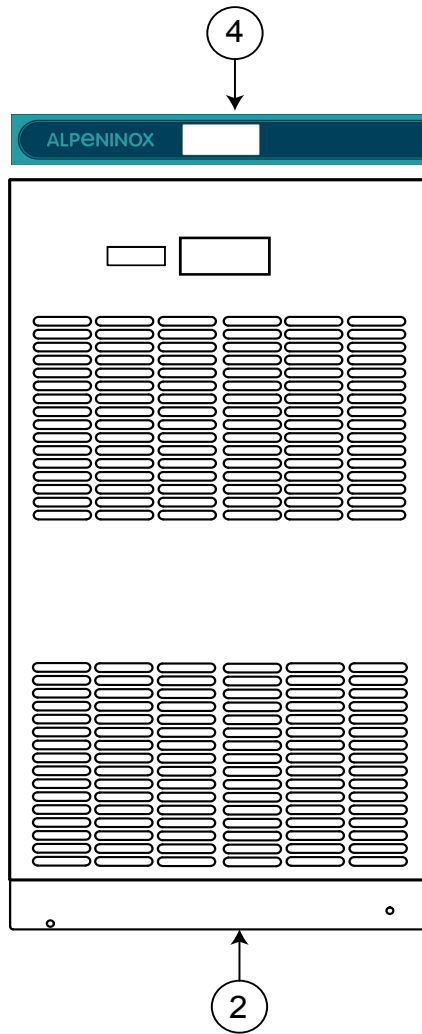
Freezer R404a



Freezer  
 model:  
**H6NBT2B**  
**H7NBT3B**

| Pos                                 | Code   | Factory code | Description                    | Descrizione                      | Ref/notes         |
|-------------------------------------|--------|--------------|--------------------------------|----------------------------------|-------------------|
| Pag. 12                             |        |              |                                |                                  |                   |
| Cooling unit 2-3 comp. R290 freezer |        |              | Gruppo 2-3 vani R290 freezer   |                                  |                   |
| 1                                   | 094840 | 684R11900    | COMPRESS. NEU2168U EMBRACO     | COMPRESSO NEU2168U EMBRACO       | a,b R290a         |
| 2                                   | 0A8171 | A02021800    | PIPE WHIT CHARGE VALVE         | TUBO VALV. DI CARICA             |                   |
| 3                                   | 095352 | 830R12601    | WIRING CONDENSER               | CONDENSATORE FILI                |                   |
| 4                                   | 094487 | 682R08700    | CONDENSER FAN MOTOR            | VENTILATORE 10 220-240V 50/60HZ  |                   |
| 5                                   | 082874 | 511701900    | FAN CONDENSER                  | VENTOLA ASP.A200-34 4012201      |                   |
| 6                                   | 089770 | 546709600    | PROTECTION FAN CONDENSER       | GRIGLIA SUPP.MOTOVENT.           |                   |
| 7                                   | 084585 | 549727300    | CONDENSER WATER BASIN          | BACINELLA RACC.CONDENSEA         |                   |
| 8                                   | 084078 | 805729802    | DEHYDRATOR FILTER              | FILTRO GR.40 D 24                |                   |
| 9                                   | 095298 | 858R15600    | HEAT EXCHANGER                 | ASS. SCAMBIATORE PIEGATO         |                   |
| 10                                  | 095362 | 502R93301    | WATER COLLECTOR BASIN          | BACINELLA EVAPORATORE            |                   |
| 11                                  | 095665 | 830R15002    | EVAPORATOR GAS R290a           | EVAPORATORE R290                 | a,b R290a         |
| 12                                  | 092175 | 646R06900    | BLUE PROBE CELL                | SONDA 6X20 BLU 'CELL' L=3000     |                   |
| 13                                  | 096125 | 646R07701    | GREEN PROBE EVAP.              | SONDA 6X40 VERDE 'DEF' L=3000    |                   |
| 15                                  | 095315 | 682R10700    | EVAP FAN                       | VENTILATORE EVAPORATORE          |                   |
| 16                                  | 095648 | 856R29700    | ARMOURED HEATER FREEZER "L"    | RESISTENZA DI SBRINAMENTO BT     | a,b R290a         |
| 17                                  | 095359 | 503R01203    | FANS SUPPORT EVAPORATOR        | SUPPORTO VENTILATORI CELLA       |                   |
| 18                                  |        | 514R27800    | SPRING RETAINING HEATER        | MOLLA FIX. RESISTENZA TAV NGC TN |                   |
| 19                                  | 095282 | 503R29200    | ARMOURED HEATER FIXING BRACK.  | STAFFE DI FISSAGGIO RESISTENZA   |                   |
| 20                                  | 095225 | 569R09502    | EPS INSULATING BLOCK           | ISOLAMENTO PER SCAMBIATORE       |                   |
| 21                                  | 095354 | 503R29102    | ELECTRIC BOX COVER             | PROTEZIONE IMPIANTO ELETTRICO    |                   |
| 22                                  | 095666 | 639R16600    | MAIN TERMINAL BLOCK            | MORSETTIERA                      |                   |
| 23                                  | 094435 | 646R10502    | SOLENOID VALVE EVR             | ELETTROVALVOLA PARKER            |                   |
| 24                                  | 095357 | 515R33701    | PIPE FROM COMP. TO CONDENS.    | TUBO DA COND A COMPR TAV TN      |                   |
| 25                                  | 095281 | 648R08400    | RELAY                          | RELÈ'                            | Up to 2019/38     |
| 25                                  | 093848 | 648R06300    | RELAY                          | RELÈ'                            | From 2019/39      |
| 26                                  | 092257 | 0694R00501   | EMC FILTER                     | FILTRO ANTIDIST.                 |                   |
| 27                                  | 095299 | 503R24200    | AIR CONVEYOR BT HP "L" A304    | CONVOGLIATORE ARIA FREEZER       |                   |
| 28                                  | 096137 | 503R72000    | EVAPORATOR COVER FREEZER       | COPERTURA EVAPORATORE FREEZ.     |                   |
| 29                                  |        | *            | ELECTRICAL BOX COMPRESSOR      | SCATOLA BOX COMPRESSORE          |                   |
| 30                                  |        | 503R38400    | END PART AIR CONVEYOR          | PARTE FINALE DEL CONVOGLIATORE   |                   |
| 31                                  | 093518 | 503R28501    | EVAPORATOR COVER FREEZER       | COPERTURA EVAPORATORE FREEZ.     | C GAS R404a 50 hz |
| 31                                  | 096137 | 503R72000    | EVAPORATOR COVER FREEZER       | COPERTURA EVAPORATORE FREEZ.     | C GAS R404a 60 hz |
| 32                                  | 095364 | 617R16801    | ARMOURED HEATER FREEZER "L"    | RESISTENZA DI SBRINAMENTO BT     | C GAS R404a       |
| 32                                  | 095648 | 856R29700    | ARMOURED HEATER FREEZER "L"    | RESISTENZA DI SBRINAMENTO BT     | C GAS R404a 60 hz |
| 33                                  | 095612 | 682R10800    | CONDENSER FAN MOTOR            | VENTILATORE 10 220-240V 50/60HZ  | C GAS R404a       |
| 34                                  | 095613 | 684R12900    | COMPRESS. NEU2178GK EMBRACO    | COMPRESSO NEU2178GK EMBRACO      | C GAS R404a       |
| 34                                  | 095645 | 684R13600    | COMPR. NEU2155GK 220/240V 60HZ | COMPR.NEU2155GK 220/240V 60HZ    | C GAS R404a 60 hz |
| 35                                  | 095363 | 830R12801    | EVAPORATOR GAS R404a           | EVAPORATORE R404a                | C GAS R404a       |
| 35                                  | 095665 | 830R15002    | EVAPORATOR GAS R404a 60 hz     | EVAPORATORE R404a 60 hz          | C GAS R404a 60 hz |

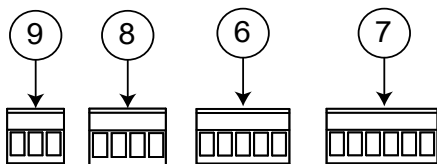
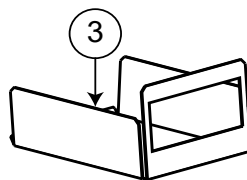
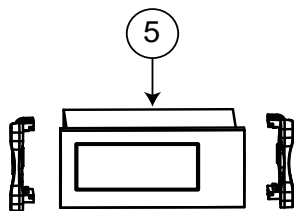
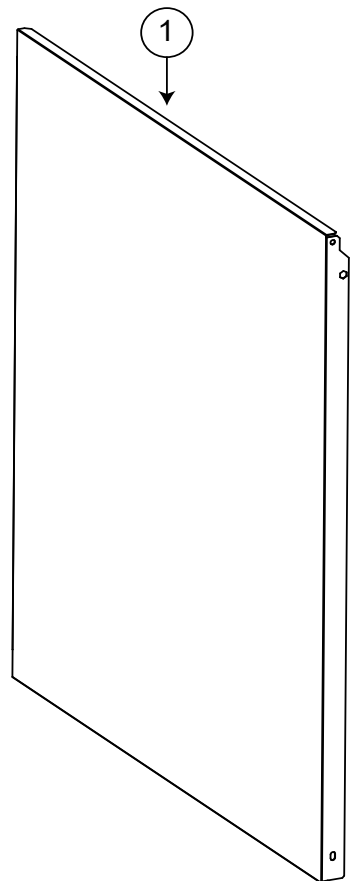
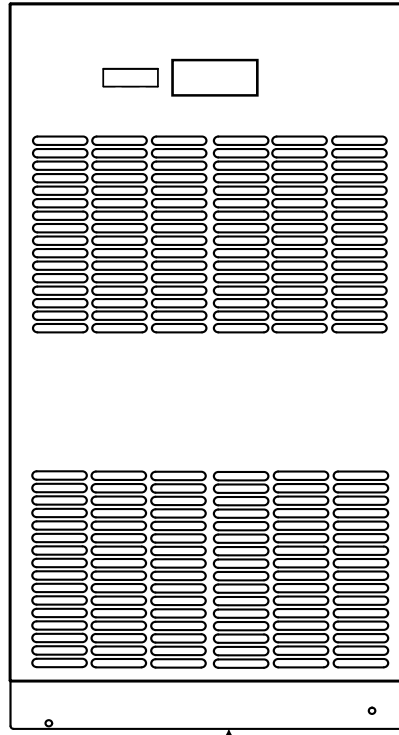
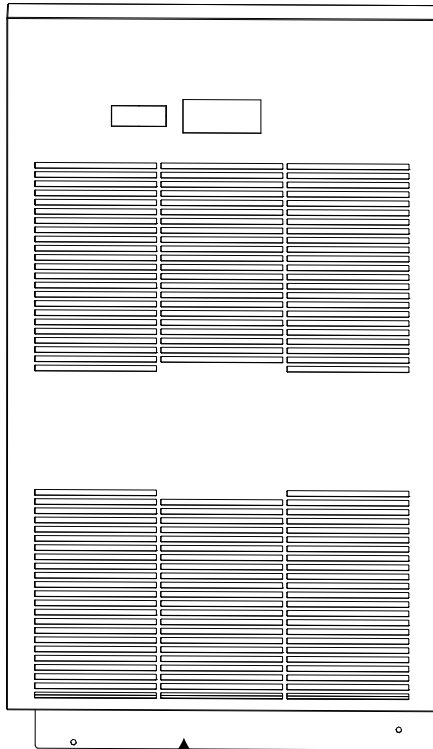
# Concept line range



MODEL=H6NBT2BHC  
H6NBT3BHC



# Benefit line (short range) and new range



| Pos                  | Code          | Factory code     | Description                           | Descrizione                          | Ref/notes                       |
|----------------------|---------------|------------------|---------------------------------------|--------------------------------------|---------------------------------|
| reference pag.14-15  |               |                  |                                       |                                      |                                 |
| <b>Control panel</b> |               |                  | <b>Pannello di controllo</b>          |                                      |                                 |
| 1                    | 096633        | 503R63800        | EXTERNAL SIDE PANEL H700 HP           | PANNELLO ESTERNO HP                  |                                 |
| 2                    |               | 509R22901        | CTRL PANEL CL & BL H650 FZ BL & CL    | PANNELLO CONTROL. CL & BL FREEZ.     | CL & BL NEW RANGE               |
| 3                    | 095565        | 503R68400        | IR33 COVER COUNTERS C.L.              | PROTEZIONE TERMOREGOLATORE           |                                 |
| 4                    | 095667        | 755R14500        | STICKER CONT. CL FR IR33 APX L-R      | MEMBRANA APX BT IR33 CL              | CL apx                          |
| 5                    | 093434        | 646R11101        | TERMOREGOLAT. CAREL IR33              | TERMOREGOLAT. CAREL IR33             |                                 |
| 6                    |               | 639725900        | CONNECTOR MSTB 2.5/5 ST PASSO 5       | CONETTORE PASS.5 MSTB 2.5/5 ST       |                                 |
| 7                    | 095244        | 639723400        | CONNECTOR MSTB 2.5/6 ST PASSO 5       | CONETTORE PASS.5 MSTB 2.5/6 ST       |                                 |
| 8                    | 091682        | 639R04400        | CONNECTOR MSTB 2.5/4 ST PASSO 5       | CONETTORE PASS.5 MSTB 2.5/4 ST       |                                 |
| 9                    | 088998        | 639722900        | CONNECTOR MSTB 2.5/3 ST PASSO 5       | CONETTORE PASS.5 MSTB 2.5/3 ST       |                                 |
| *                    | 092134        | 147017028        | NEOPRENE                              | NEOPRENE ESP.CELL.CHIUSE 8X10        |                                 |
| 10                   | <b>096138</b> | <b>509R21900</b> | <b>CTRL PANEL BL H650 FZ ELUX "L"</b> | <b>PANNELLO CONTROLLO BL FREEZER</b> | <b>BL SHORT RANGE ELUX only</b> |
| 11                   |               | <b>598R42202</b> | <b>STICKER ELECTROLUX BL</b>          | <b>MARCHIO ADESIVO ELECTROLUX</b>    | <b>BL</b>                       |
| 12                   |               | <b>598R42303</b> | <b>STICKER ALPENINOX BL</b>           | <b>MARCHIO ADESIVO ALPENINOX</b>     | <b>BL</b>                       |
| 13                   |               | <b>598R42101</b> | <b>STICKER ZANUSSI BL</b>             | <b>MARCHIO ADESIVO ZANUSSI</b>       | <b>BL</b>                       |
|                      |               |                  |                                       |                                      |                                 |
|                      |               |                  |                                       |                                      |                                 |
|                      |               |                  |                                       |                                      |                                 |
|                      |               |                  |                                       |                                      |                                 |



NordCap GmbH & Co. KG  
Thalendorststraße 15  
28307 Bremen  
Hauptsitz (Service, Finanzen & Personal, Lager, IT, Marketing)

Telefon: +49 421 48557-0  
Telefax: +49 421 488650  
E-Mail: [bremen@nordcap.de](mailto:bremen@nordcap.de)

Die NordCap Verkaufsniederlassungen in Deutschland:

Nord: Hamburg • Ost: Berlin • Süd: Ingelheim • West: Erkrath



**ALPENINOX**