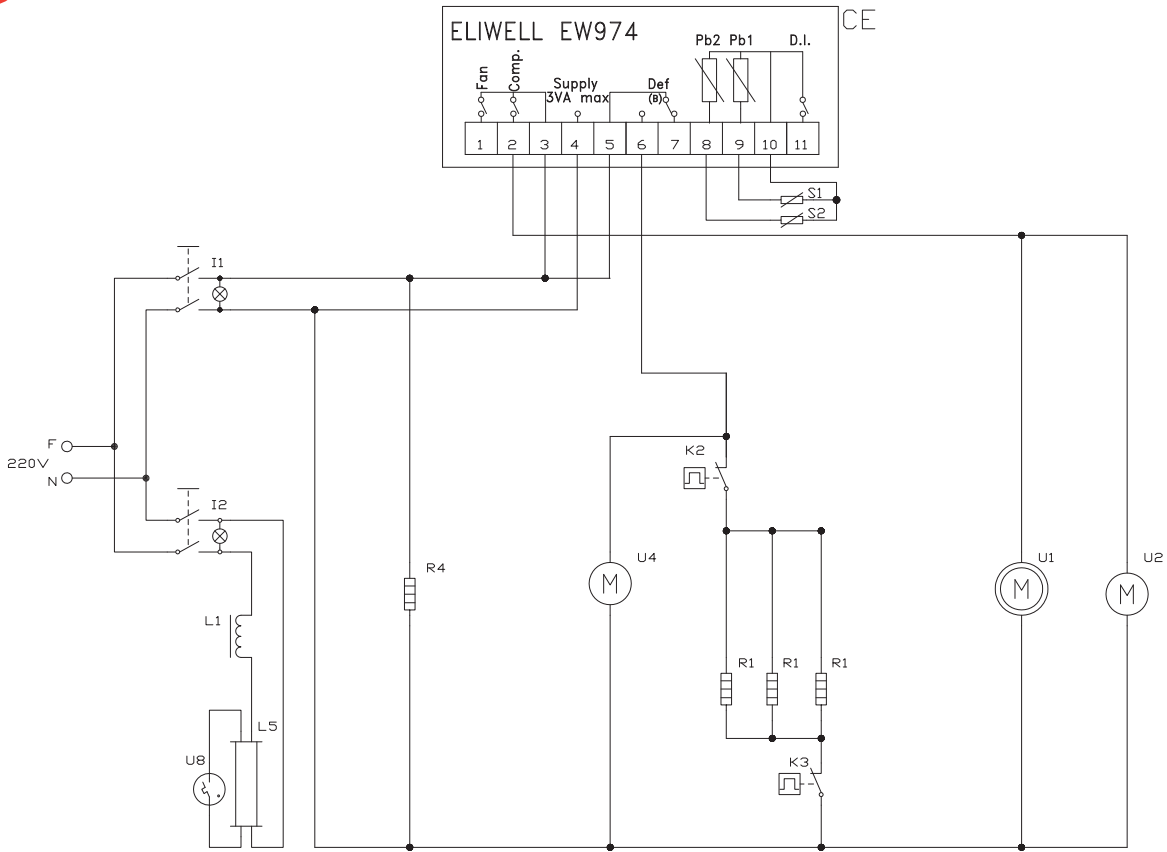


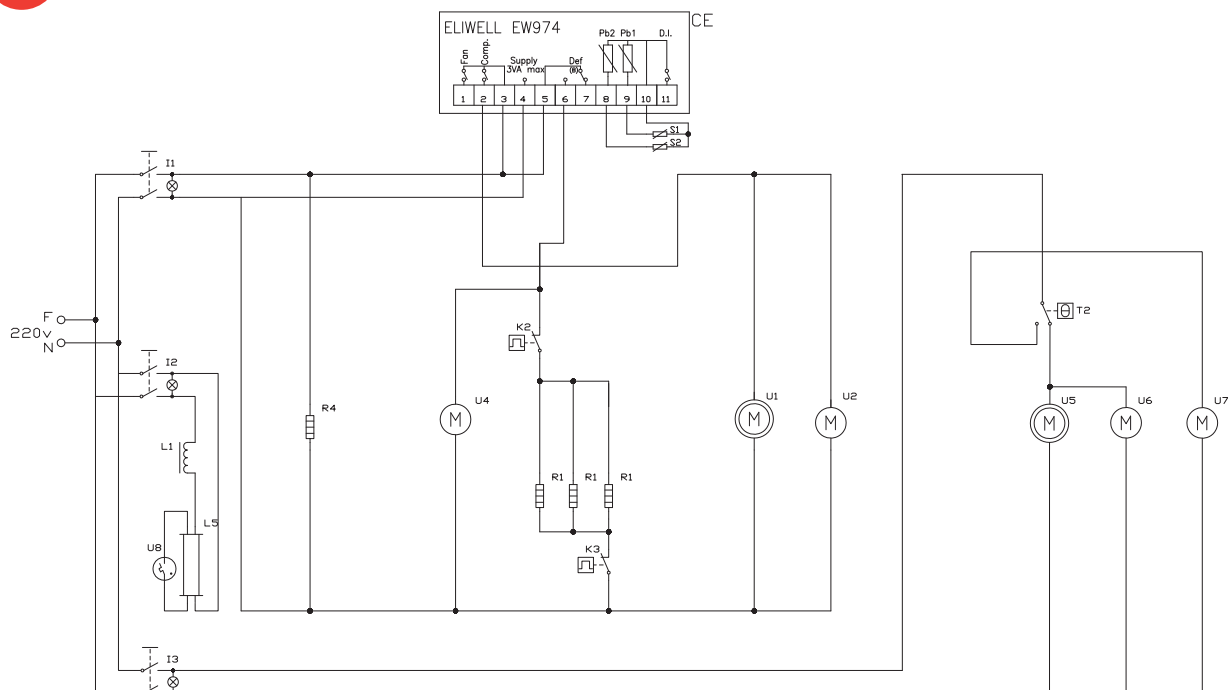
ANNEXES

N°		Code	Model	Page
1	Wiring diagram	412100109400	4 RS TB TP	26
			6R RS TB TP	
			7R RS TB TP	
			9R RS TB TP	
2	Wiring diagram	412119182400	12R RS TB TP	27
3	Wiring diagram	412100253000	6R RS TB TP	28
4	Wiring diagram	412100258000	4 RS TB TP	29
			7R RS TB TP	
5	Wiring diagram	412100308000	4 RS TB TP	30
			7R RS TB TP	
6	Declaration of conformity			40

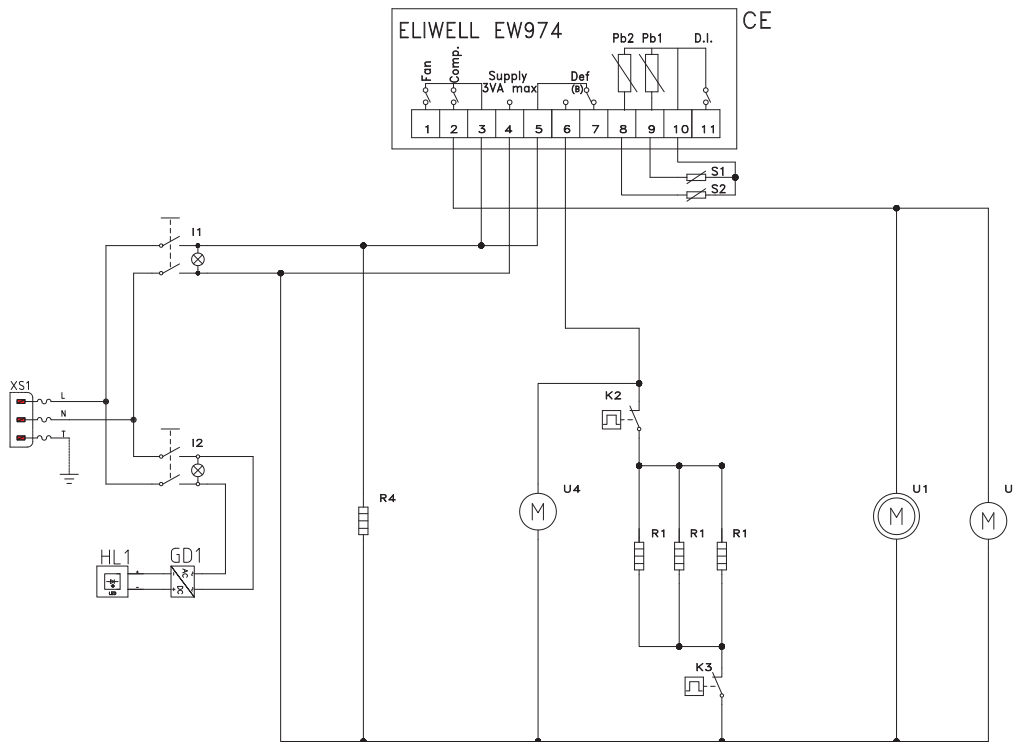


Model	4 RS TB TP
Model	6R RS TB TP
Model	7R RS TB TP
Model	9R RS TB TP
Code	412100109400
CE	Electronic control board
I1	Switch cabinet
I2	Lighting switch
K2	Klixon of end defrosting
K3	Safety Klixon
L1	Reactor
L5	Fluorescent tube T8
R1	Heating elements defrost
R4	Heating element worktop
S1	Temperature probe
S2	Defrosting probe
U1	Compressor
U2	Condenser ventilator
U4	Cleaning ventilator
U8	Starter

R404A

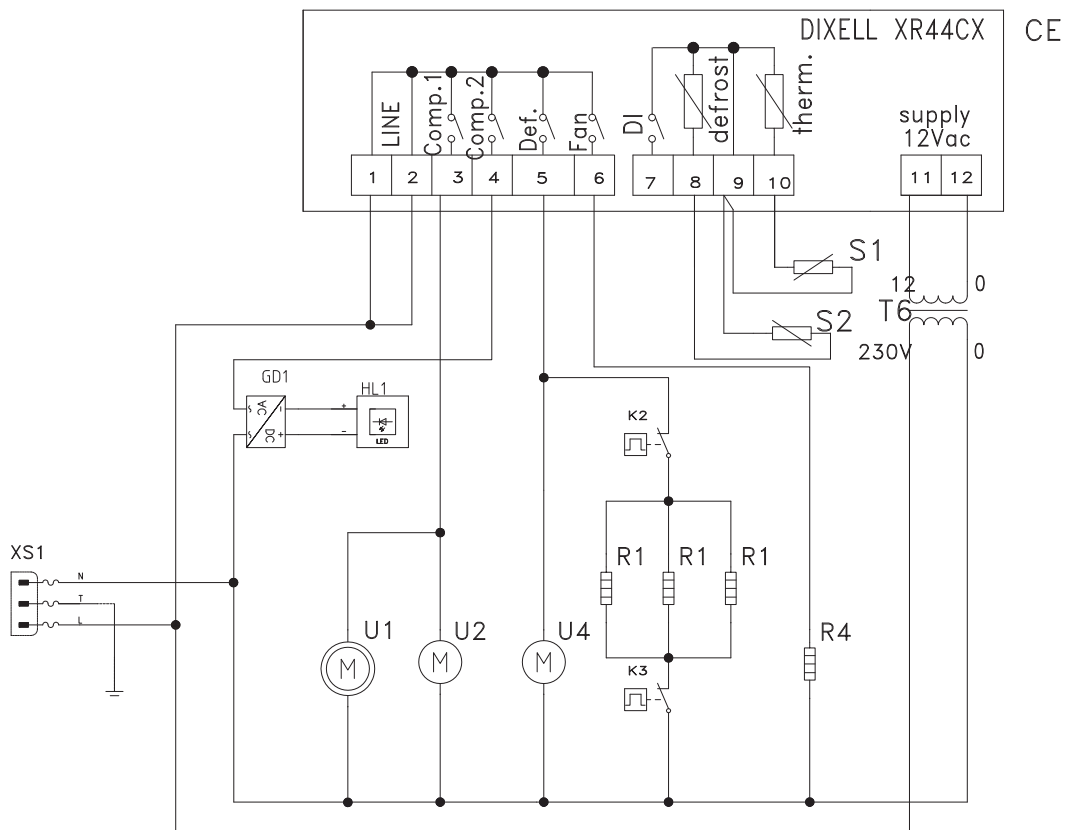


Model	12R RS TB TP
Code	412119182400
CE	Electronic control board
I1	Switch cabinet
I2	Lighting switch
I7	Storage switch
K2	Klixon of end defrosting
K3	Safety Klaxon
L1	Reactor
L5	Fluorescent tube T8
R1	Heating elements defrost
R4	Heating element worktop
S1	Temperature probe
S2	Defrosting probe
U1	Compressor
U2	Condenser ventilator
U4	Cleaning ventilator
U5	Storage compressor
U6	Storage condenser ventilator
U7	Storage cleaning ventilator
U8	Starter
T7	Storage thermostat

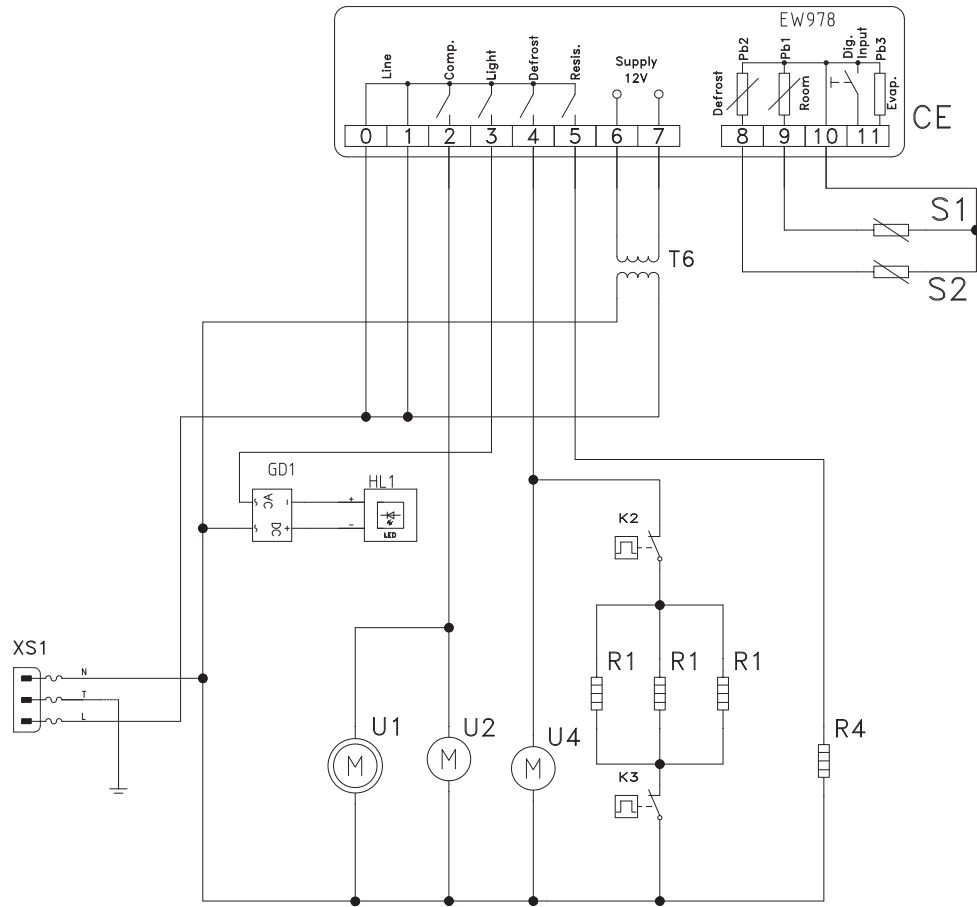


Model	6R RS TB TP
Code	412100253000
CE	Electronic control board
GD1	Power supply LED
HL1	LED
I1	Switch cabinet
I2	Lighting switch
R1	Heating elements defrost
R4	Heating element worktop
S1	Temperature probe
S2	Defrosting probe
U1	Compressor
U2	Condenser ventilator
U4	Cleaning ventilator
XS1	Power Cable

R290



Model	4 RS TB TP
Model	7R RS TB TP
Code	412100258000
CE	Electronic control board
GD1	Power supply LED
HL1	LED
K2	Klixon of end defrosting
K3	Safety Klixon
R1	Heating elements defrost
R4	Heating element worktop
S1	Temperature probe
S2	Defrosting probe
U1	Compressor
U2	Condenser ventilator
U4	Cleaning ventilator
XS1	Power Cable



Model	4 RS TB TP
Model	7R RS TB TP
Code	412100308000
CE	Electronic control board
GD1	Power supply LED
HL1	LED
K2	Klixon of end defrosting
K3	Safety Klixon
R1	Heating elements defrost
R4	Heating element worktop
S1	Temperature probe
S2	Defrosting probe
T6	Trasformer
U1	Compressor
U2	Condenser ventilator
U4	Cleaning ventilator
XS1	Power Cable