

## Ersatzteilliste-Explosionszeichnung

### Umluft-Gewerbekühlschrank

# KU 702 Comfort

[Art. 402729118]



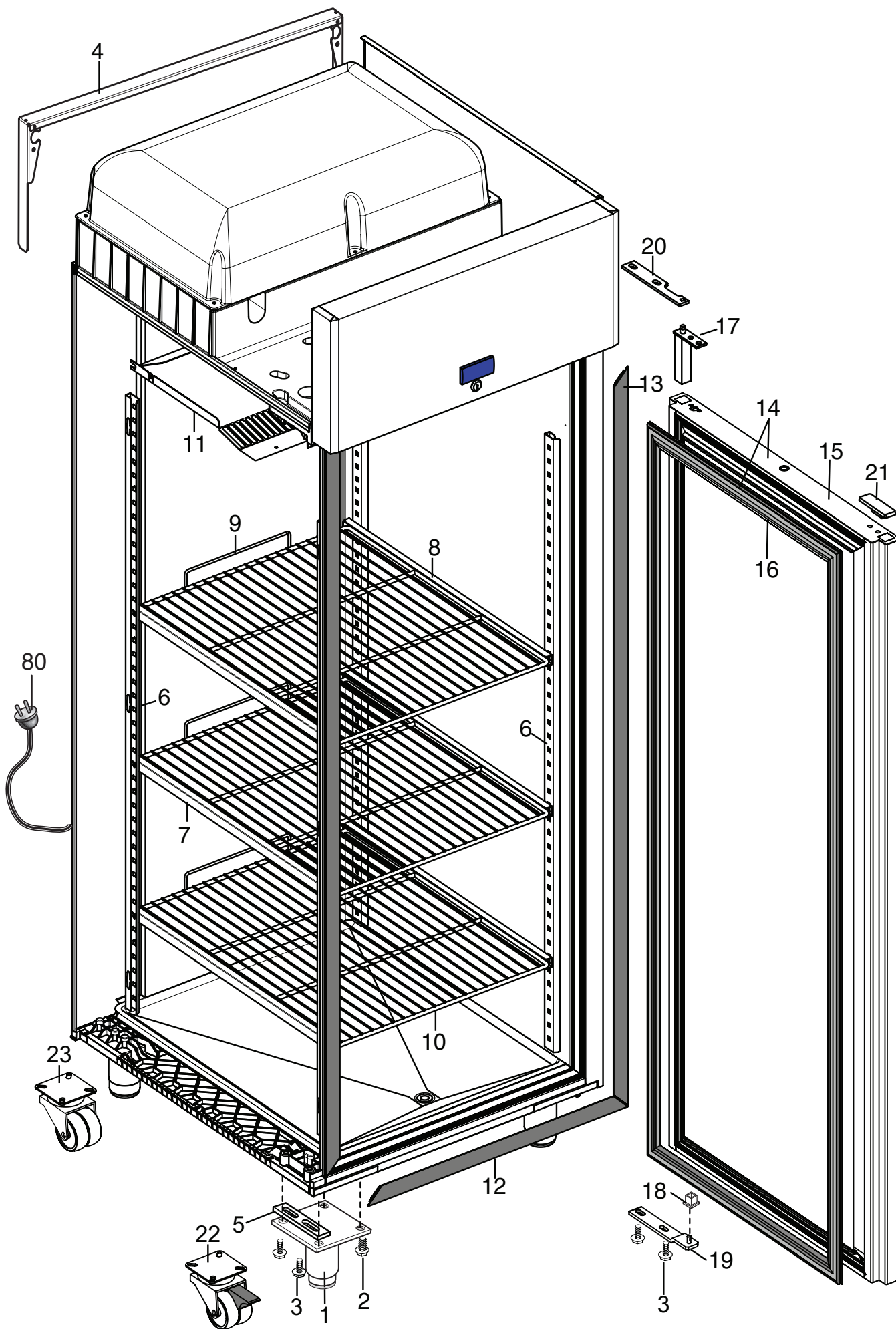
Thermoregulator  
 Positive temperature - 1M - full door  
**CABINETS MASS/GAB R290**

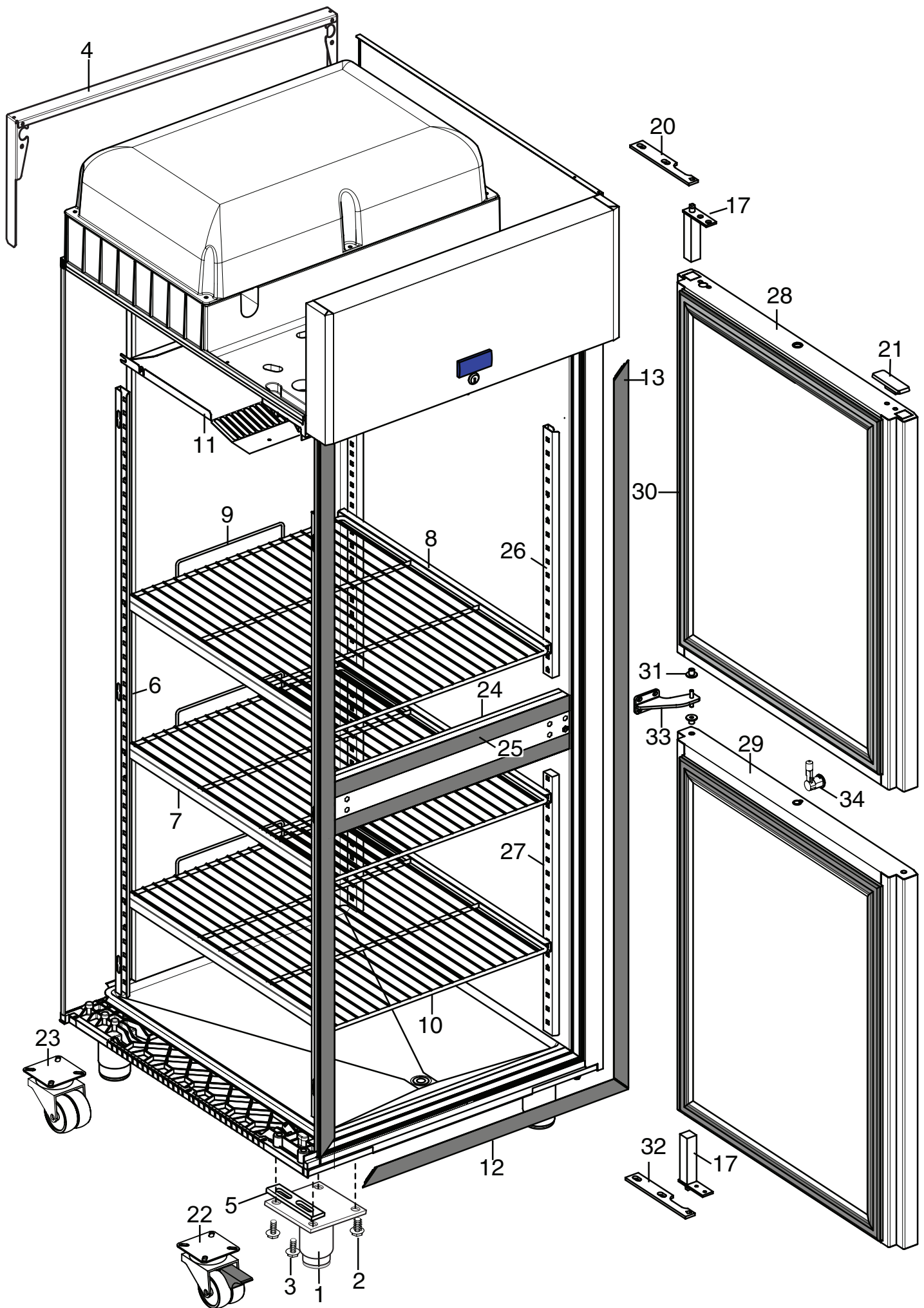
PNC	En.Ch.	Model Description	Ref.	Page
110354	00/00	1-DR REFR 670L 0/+6°C,DIGITAL (R290) UK	h	2, 5, 6
110355	00/00	1-GL.DR REF 670L +2/+10°,DIGITAL(R290)UK	i	4, 5, 6
110356	00/00	2x½-DR REF 670L 0/+6°C,DIGITAL (R290)UK	l	3, 5, 6
110366	00/00	1-DR REF.670L 0/+6°C,DIGITAL,S/S(R290)UK	m	2, 5, 6
110367	00/00	1-GL.DR REF.670L +2+10°C,DIG,S/S(R290)UK	n	4, 5, 6
110368	00/00	2x½-DR REFR. 670L 0/+6°C,DIG,S/S(R290)UK	o	3, 5, 6
110377	00/00	1-DOOR REFR 670L -2/+10°C,DIG (R290)	p	2, 5, 6
<b>110874</b>	<b>00/00</b>	<b>1-DOOR REFRIGERATOR 670L -2/+10°C,DIGITAL WITH LIGHT-R290</b>	<b>n1</b>	<b>2, 5, 6</b>
190699	00/00	1-DOOR REFR 670L -2/+10°C,DIG (R290)	e1	2, 5, 6
190AAX	00/00	1-GL.DR REF.670L +2+10°C,DIG,S/S(R290)UK	h1	4, 5, 6
190B2C	00/00	1-DOOR REFR 670L -2/+10°C,DIG (R290)	m1	2, 5, 6
727393	00/02	FV 1M MASS R290 304/304 DIG. 0/+6 ELUX - UK	a	2, 5, 6
727394	17/17	FV 1M PV MASS R290 304/304 DIG.+2/+10 ELUX - UK	c	4, 5, 6
727395	00/03	FV 1M 2 1/2 PORTE MASS R290 0/+6 ELUX - UK	e	3, 5, 6
727405	19/19	1-DR REF.670L 0/+6°C,DIGITAL,S/S(R290)UK	b	2, 5, 6
727406	19/19	FV 1M PV GAB R290 430/43 DIG.+2/+10 ELUX - UK	d	4, 5, 6
727407	00/03	FV 1M 2 1/2 PORTE GAB R290 0/+6 TO BRAND A430 - UK	f	3, 5, 6
727464	19/19	FV 1M MASS R290 304/304 DIG. -2/+10 HAKVOORT	g	2, 5, 6
727773	00/00	1-DR REF.670L 0/+6°C,DIGITAL,S/S(R290)UK	g1	2, 5, 6
727959	01/01	1-GLASS DOOR REFRIG 670L +2+10°, DIGITAL-R290-UK	j	4, 5, 6
727961	01/01	1-GLASS DOOR REFRIG 670L +2+10°C, DIGITAL, S/S-R290-UK	k	4, 5, 6
<b>727992</b>	<b>01/01</b>	<b>1-DOOR REFRIGERATOR 670L -2/+10°C,DIGITAL WITH LIGHT-R290</b>	<b>n1</b>	<b>2, 5, 6</b>
728944	00/00	1-DOOR REFR 670L -2/+10°C,DIG (R290)+WHEELS	f1	2, 5, 6
729095	00/00	1-DR REFR 670L 0/+6°C,DIGITAL (R290) UK	q	2, 5, 6
729096	00/00	1-GL.DR REF 670L +2/+10°,DIGITAL(R290)UK	r	4, 5, 6
729097	00/00	2x½-DR REF 670L 0/+6°C,DIGITAL (R290)UK	s	3, 5, 6
729107	00/00	1-DR REF.670L 0/+6°C,DIGITAL,S/S(R290)UK	t	2, 5, 6
729108	00/00	1-GL.DR REF.670L +2+10°C,DIG,S/S(R290)UK	u	4, 5, 6
729109	00/00	2x½-DR REFR. 670L 0/+6°C,DIG,S/S(R290)UK	v	3, 5, 6
729118	00/00	1-DOOR REFR 670L -2/+10°C,DIG (R290)	w	2, 5, 6
729314	00/00	1-DR REFR 670L 0/+6°C,DIGITAL (R290) UK	x	2, 5, 6
729315	00/00	1-GL.DR REF 670L +2/+10°,DIGITAL(R290)UK	y	4, 5, 6
729316	00/00	2x½-DR REF 670L 0/+6°C,DIGITAL (R290)UK	z	3, 5, 6
729324	00/00	1-DR REF.670L 0/+6°C,DIGITAL,S/S(R290)UK	a1	2, 5, 6
729325	00/00	1-GL.DR REF.670L +2+10°C,DIG,S/S(R290)UK	b1	4, 5, 6
729326	00/00	2x½-DR REFR. 670L 0/+6°C,DIG,S/S(R290)UK	c1	3, 5, 6
729334	00/00	1-DOOR REFR 670L -2/+10°C,DIG (R290)	d1	2, 5, 6
<b>729521</b>	<b>00/00</b>	<b>1-DOOR REFRIGERATOR 670L -2/+10°C,DIGITAL WITH LIGHT-R290</b>	<b>n1</b>	<b>2, 5, 6</b>

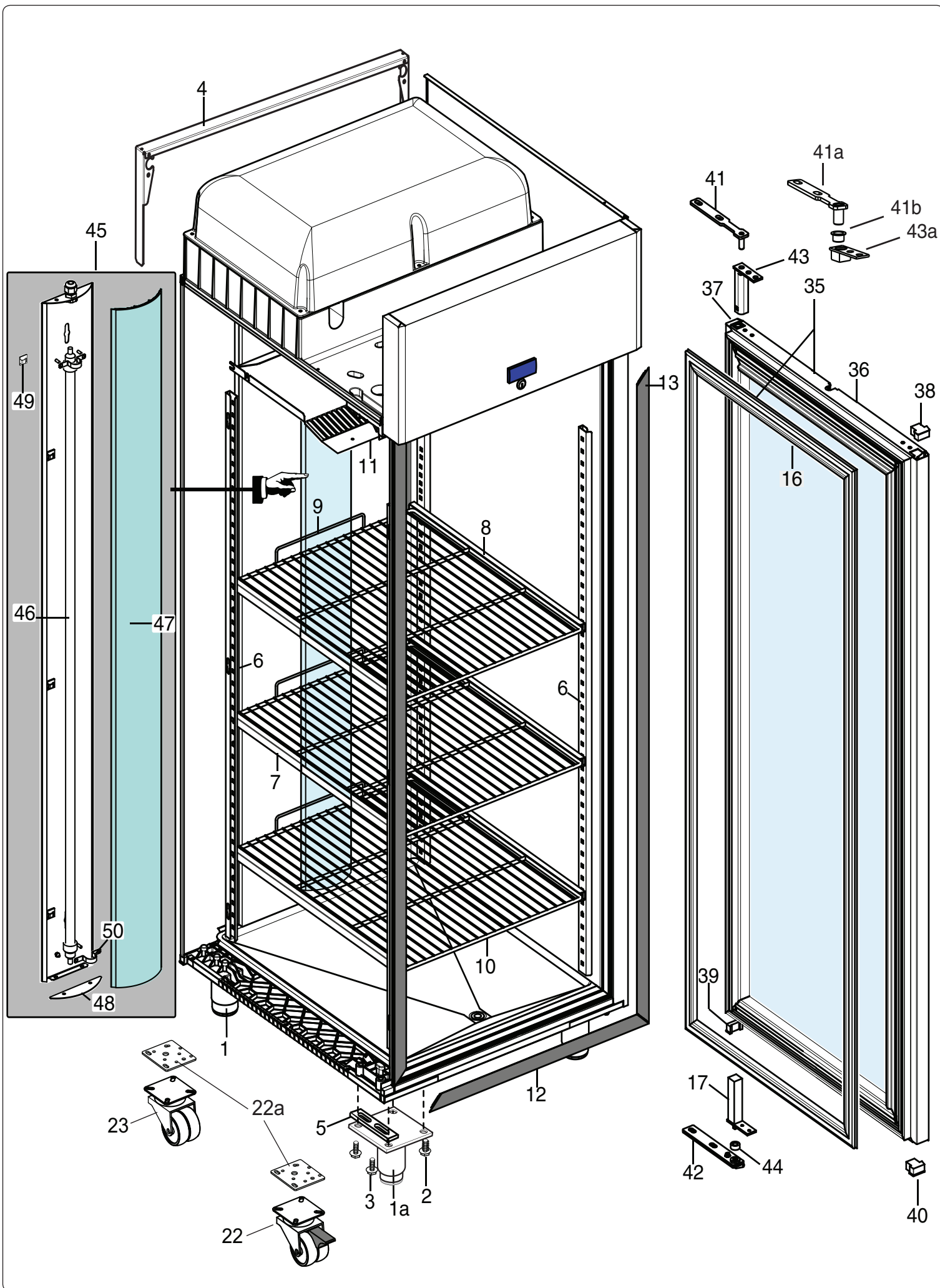
**Note:** per la corretta identificazione dei componenti, attenersi esclusivamente alle pagine indicate e alla lettera di riferimento.

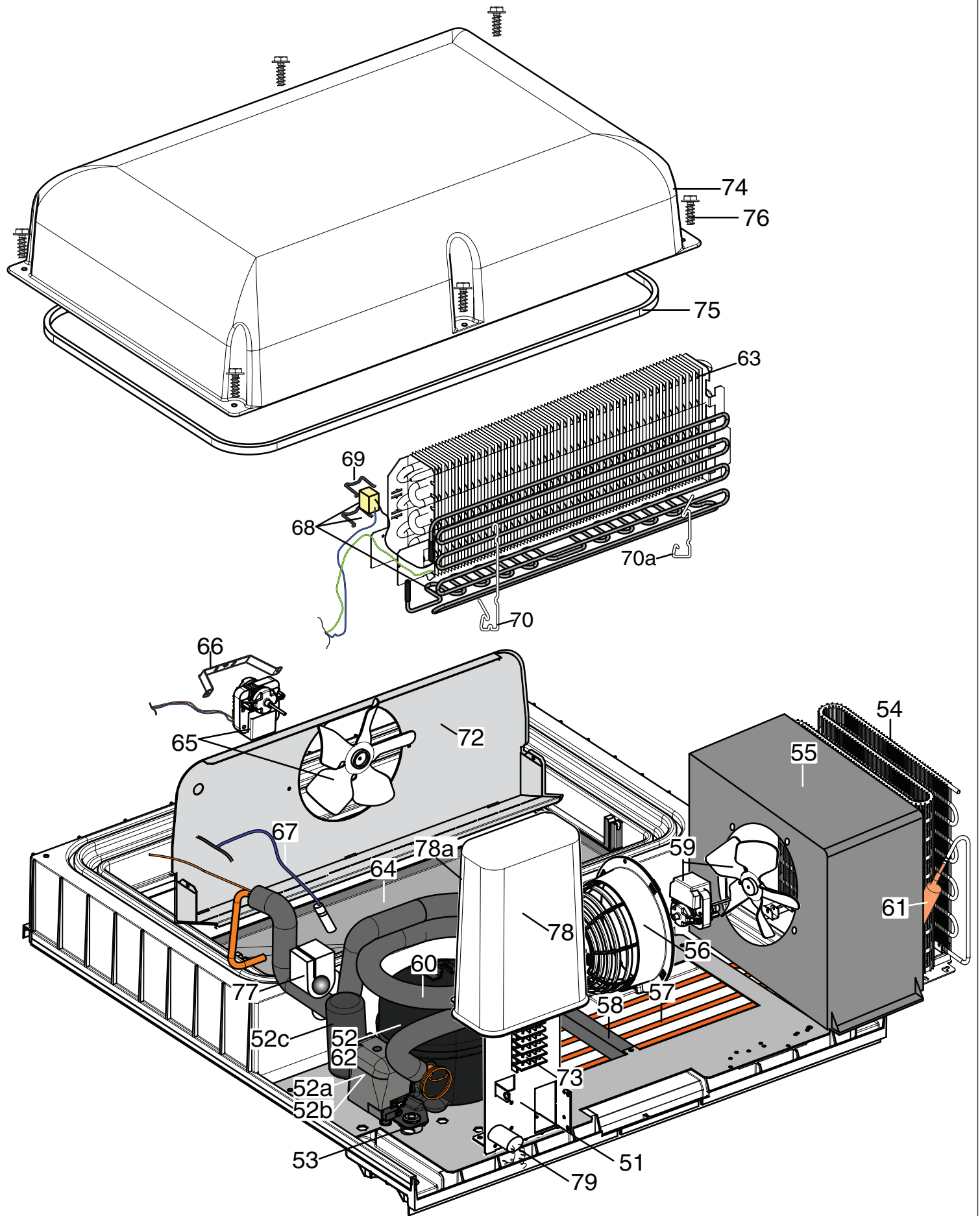
**Note:** for the correct identification of the components, follow the indicated pages and the reference letter.

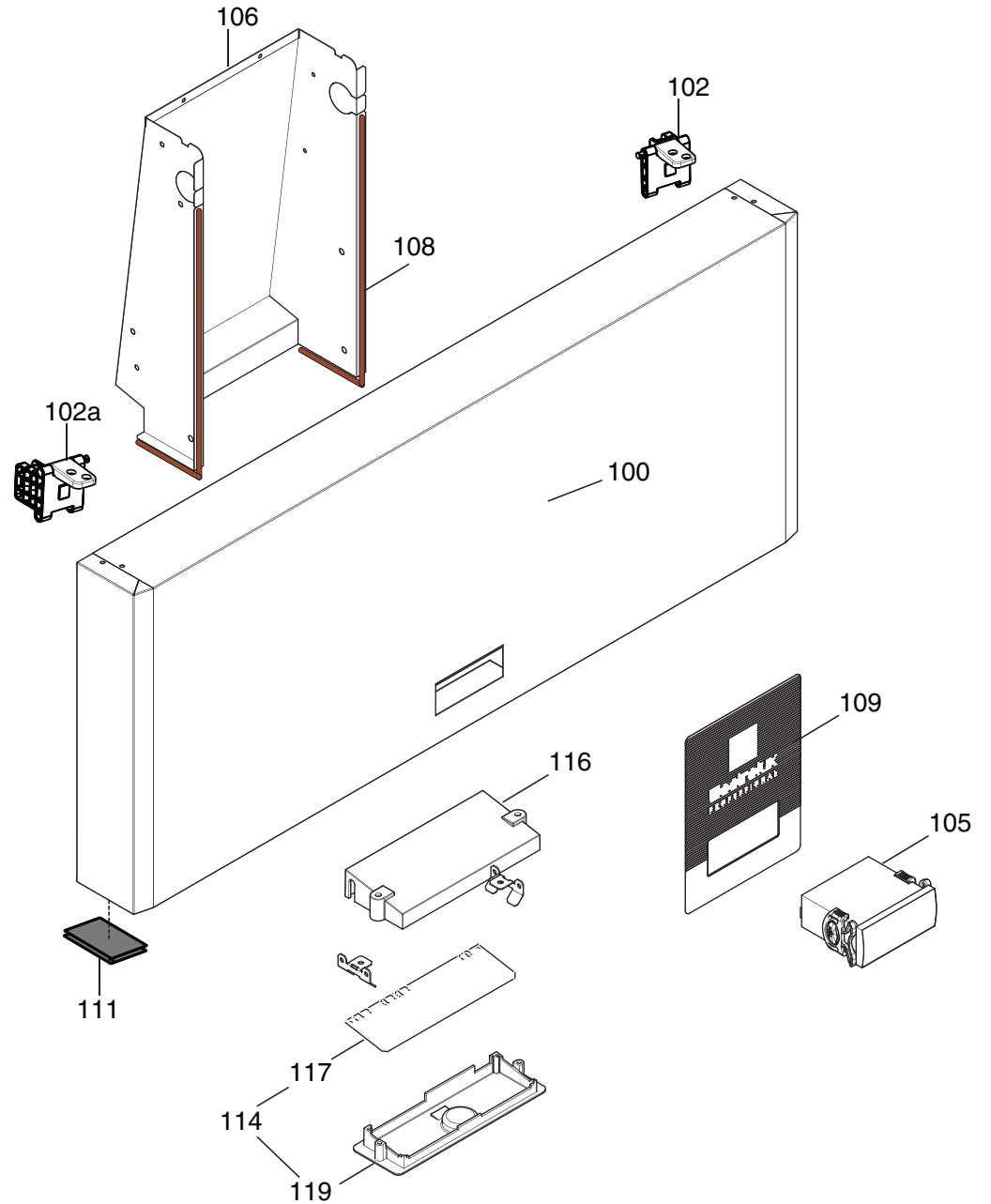
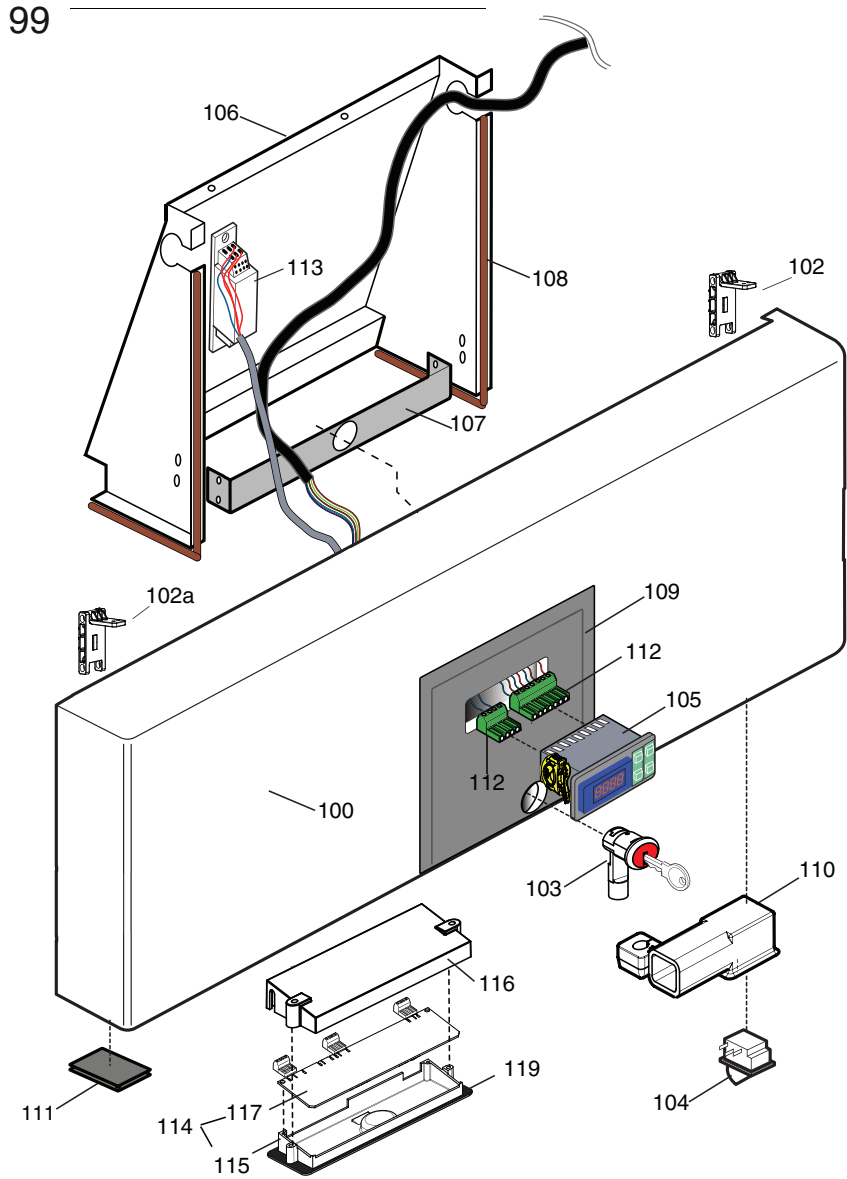
Rev. 10	Pag. 2,3,4	Index	Indice
	5	Cabinet and door	Armadio e porta
	6	Cooling unit assembly	Gruppo refrigerante
	7,8,9	Control panel	Pannello comandi
		Spare parts list	Lista ricambi











REFRIGERATORS					
Pos	Factory Code	Code	Descrizione	Description	Ref/notes
1	541R05001	093243	Piedino	Foot	g,p,w,d1,h1,m1
1a	518R02600	093244	Piedino anteriore porta vetro	Back foot glass door	h1
2	217555204	093245	Vite per plastica per piedino	Screw ( use by fix foot)	
3	518708601	093246	Vite M8x20 per fiss. staffa sup/inf	Screw M8X20 ( use by fix bracket)	
4	502R17400	093247	Staffa supporto fianchi	Side support (upper)	
5	546R22800	093248	Distanziale per piede	Foot spacer	
6	501R38201	093249	Cremagliera	Rack	
7	501R47900	093250	Guida Sx	Left support	
8	501R48100	093251	Guida Dx	Right support	
9	514R10600	093252	Griglia 2/1	Grid 2/1	
10	514R12200	093253	Griglia di fondo	Bottom grid	
11	875R37400	*	Assieme carter interno	Internal protection assembly	
12	832R09001	093254	Cornice orizzontale	Horizontal frame	
13	832R09101	093255	Cornice verticale	Vertical frame	a,b,c,d,g,h,i,j,k,m,n, p,q,r,t,u,w,x,y,a1, b1,d1,e1,g1,h1,m1
13	832R09300	093256	Cornice verticale	Vertical frame	e,l,s,z
14	835R27008	093289	Porta con guarnizione aisi 304	Gasket and door	a,f,h,o,q,v,x,c1,f1
14	835R27108	093290	Porta con guarnizione aisi 430	Gasket and door	b,m,t,a1,g1
<b>14</b>	<b>835R75700</b>		<b>Porta con guarnizione A304 con luce</b>	<b>Gasket and door with light</b>	<b>n1</b>
15	835R27407	093581	Porta aisi 304	Door	a,g,h,p,q,w,x, d1,e1,m1
15	835R27507	096028	Porta aisi 430	Door	b,m,t,a1,g1
<b>15</b>	<b>835R75600</b>		<b>Porta aisi 304</b>	<b>Door</b>	<b>n1</b>
16	548R06802	093257	Guarnizione porta vetro	Gasket glass door	glass door
16	548R08000	094152	Guarnizione porta cieca/pv LED	Gasket full door and LED glass door	full door and j,k
17	835704001	082219	Cerniera porta	Hinge door	
18	544700601	081654	Boccola per porta	Door bush	
19	833R21600	093341	Staffa inferiore porta	Lower stirrup door	
20	505723802	082257	Staffa superiore porta	Upper stirrup door	
21	541R05301	093271	Tappo per cerniere	Hole hinge plug	
22	835R24900	093575	Ruota rotante con freno	Brake weel	a,b,c,d,e,f,h,i,j,k,l,m, n,o,q,r,s,t,u,v,x,y, z,a1,b1,c1,g1
22	835739900	087110	Ruota rotante con freno	Brake weel	e1,f1
22a	504R17300	096411	Piastra di sostegno	Support plate for wheels	j,k
23	835R24800	093574	Ruota rotante	Weel	a,b,c,d,e,f,h,i,j,k,l,m, n,o,q,r,s,t,u,v,x,y, z,a1,b1,c1,g1
23	835740000	087111	Ruota rotante	Weel	e1,f1
24	880R64100	093342	Traversa per 1/2 porte a304	Support half door a304	e,l,s,z
24	880R64200	093343	Traversa per 1/2 porte a430	Support half door a430	f,o,v,c1
25	543R09900	093272	Cornice per traversa	Support half door frame	
26	501R51800	093275	Cremagliera ant. 1/2 porte superiore	Upper rack 1/2 doors	
27	501R51600	093276	Cremagliera ant. 1/2 porte	Lower rack 1/2 doors	
28	835R25410	093585	Ass.1/2 porta superiore a304	Upper half door a304	e,l,s,z
28	835R27909	093586	Ass.1/2 porta superiore a430	Upper half door a430	f,o,v,c1



## REFRIGERATORS

Pos	Factory Code	Code	Descrizione	Description	Ref/notes
29	835R25509	093519	Ass. 1/2 porta inferiore a304	Lower half door a304	e,l,s,z
29	835R27808	093520	Ass. 1/2 porta inferiore a430	Lower half door a430	f,o,v,c1
30	548R08101	094153	Guarnizione magnetica 1/2 porte	Half door gasket	
31	546R21100	093392	Boccola per cerniera 1/2 porte	Half door bush	
32	833R21900	093301	Ass. cerniera inferiore	Lower hinge assembly	
33	505R12400	093344	Cerniera centrale	Central hinge door	
34	833R21100	093433	Serratura	Serratura	
35	880R57001	093736	Ass. porta vetro	Glass door assembly	
35	883R01401	*	Ass. porta vetro LED	LED Glass door assembly	j,k
36	879R15600	093274	Porta vetro	Glass door	
36	879R36600	096173	Porta vetro LED	LED Glass door	j,k
37	546R22400	093535	Tappo sup. dx pv	Upper right plug door GL	
38	546R22300	093536	Tappo sup. sx pv	Upper left plug door GL	
39	546R22500	093537	Tappo inf. dx pv	Lower right plug door GL	
40	546R22200	093538	Tappo inf. sx pv	Lower left plug door GL	
41	505R12700	093349	Cerniera superiore pv	Upper hinge GL	
41a	505R21900	096180	Cerniera superiore pv LED	Upper hinge GL LED	j,k
41b	546R35300	096182	Boccola GFM-16-18-16	Bush GFM-16-18-16	j,k
42	833R21900	093301	Ass. staffa inf.( reversibile) pv	Lower bracket ( reversible)	
43	835R28100	093320	Ass cerniera sup pv	Upper hinge GL	
43a	505R22000	096181	Ass cerniera sup pv LED	Upper hinge GL LED	j,k
44	546R23100	093517	Boccola per cerniera PV	Hinge bush GL	
45	880R60700	093303	Ass. porta lampada completo	Light support assembly	c, d up to 2471
45	835R26801	094484	Ass. porta lampada completo	Light support assembly	c,d,i,n,r,u,y, b1,h1 from 2481...
46	661R01000	093350	Lampada 28W	Neon 28W	c,d,i,n,r,u,y,b1,h1
47	546R22600	093258	Frontale lampada	Protection light	c,d,i,n,r,u,y,b1,h1
48	501R49500	093351	Tappo chiusura luce	Plug of clousure	c,d,i,n,r,u,y,b1,h1
49	546R23200	093352	Ferma cavo	Wiring stopper	c,d,i,n,r,u,y,b1,h1
50	501R50200	093321	Fermo lampada	Stopper light	c,d,i,n,r,u,y,b1,h1
51	501R41503	093332	Supporto impianto elettrico	Electrical wiring support	
52	684R05100	093267	Compressore(EMT6144U)220/50 hzR290	Compr.(EMT6144U)220/50hz R290	
52a	*	*	Relè avviamento	Start relay	
52b	*	*	Protettore	Protector	
52c	*	*	Condensatore di avviamento	Start capacitor	
53	518708401	087122	kit fissaggio compressore	Compressor fixing compressor	
54	830R06500	093346	Condensatore a fili 4R	Wiring Condenser	
55	546R24100	*	Convogliatore condensatore	Condenser conveyor	
56	546R24301	093603	Griglia motore condensatore	Fan condenser grid	
57	515R12700	093259	Serpentina evap. acqua di condensazione	Evaporation water pipe	
58	543R09300	093260	Fissaggio serpentina	Stopper pipe	
59	682R05600	093322	Ventilatore condensatore	Condenser ventilator	
60	858R06900	096488	Scambiatore	Heat exchanger	
61	858R00100	099949	Filtro	Dehidrator filter	
62	A02021800	0A8171	Valvola per compressore	Compressor valve (charge or disch.)	

REFRIGERATORS					
Pos	Factory Code	Code	Descrizione	Description	Ref/notes
63	830R03901	093323	Evaporatore 2R 8T	Evaporator 2R 8T	a,c,e,g,h,i,j,k,l,p,q,r,s,w,x,y,z,d1, e1,m1
63	830R04202	093324	Evaporatore 2R - 4T	Evaporator 2r	b,d,m,n,t,u,a1,b1,g1,h1
64	546R19201	093469	Vaschetta evaporatore	Evaporator tray	
65	682R05701	093325	Ventilatore evaporatore (fime)	Evaporator fan (fime)	
66	501R45101	093326	Staffa motore evaporatore	Fan evaporator support	
67	646R06700	092173	Sonda cella	Cell probe	
68	617R06100	093327	Resistenza con termostati 2R	Heating element with thermostat	g,p,w,d1,e1,m1
<b>68</b>	<b>617R25400</b>		<b>Resistenza con termostati 2R</b>	<b>Heating element with thermostat</b>	<b>n1</b>
69	514R11601	093487	Molla per fissaggio termostati	Thermostat spring	g,p,w,d1,e1,m1
70	514R10800	093368	Molla per fissaggio resistenza 2R	Heating element spring 2R	g,p,w,d1,e1,m1
70a	514R12000	093353	Molla per fissaggio resistenza 83,5	Heating element spring 83,5	g,p,w,d1,e1,m1
72	501R44001	093294	Convogliatore evaporatore	Evaporator conveyor	
73	639R09900	093528	Morsetti	Clamp	
74	835R24101	093261	Assieme Calotta	Evaporator cover	Up to 6181
74	835R47601	095201	Assieme Calotta	Evaporator cover	From 6191
*	881R32401	095200	Modulo Calotta TN	Evaporator cover Module TN	
*	546R34400	095202	Staffa per calotta schiumata	Support for foamed Evaporator	
75	14701R003	093262	Neoprene espanso 8x13,3 nero (M4)	Gasket cover ( neoprene 8x13,3)	
76	217555204	093245	Vite senza punta x plastica	Cover screw	
77	546R19702	093263	Tamponcino per tubi	Pipe cover insulation	
78	546R26501	094425	Copertura scatola impianto elettrico	Wiring box cover	
78a	546R26701	093976	Scatola impianto elettrico	Wiring box	
79	694R00501	092257	Filtro antidisturbo	Electrical filter	
80	635R32300	095750	Cavo di alimentazione	Power supply cable	g,p,w,d1,f1,h1
80	634702901		Cavo di alimentazione	Power supply cable	e1
99	880R50104	093304	Cruscotto completo aisi 304	Panel control complete aisi 304	e,g,l,p,s,w,z,d1,e1,m1
99	880R50704	093306	Cruscotto completo aisi 430	Panel control complete aisi 430	f,o,v,c1
99	880R56604	*	Cruscotto completo	Panel control complete aisi	a,h,q,x
99	880R56707	*	Cruscotto completo	Panel control complete aisi	b,m,t,a1,g1
99	880R58507	094538	Cruscotto completo aisi 304 PV	Panel control complete aisi 304	c,i,r,y
99	880R58607	*	Cruscotto completo aisi 430 PV	Panel control complete aisi 430	d,n,u,b1,h1
99	883R01301	*	Cruscotto completo aisi 304 PV LED	Panel control complete aisi 304 LED	j
99	883R03001	*	Cruscotto completo aisi 430 PV LED	Panel control complete aisi 430 LED	k
<b>99</b>	<b>883R27401</b>	*	<b>Cruscotto completo aisi 304 with light</b>	<b>Panel control complete 304 con luce</b>	<b>n1</b>
100	509R12604	093265	Cruscotto comandi	Panel 304 AISI	a,c,e,g,h,i,l,p,q,r,s,w,x,y,z,d1,e1,m1
100	509R12703	093266	Cruscotto comandi	Panel 430 AISI	b,d,f up to 3291
100	509R12704	094007	Cruscotto comandi	Panel 430 AISI	b,d,f,m,n,o,t,u,v,a1,b1,c1,g1,h1 from 3301
100	509R24600	096184	Cruscotto comandi	Panel 304 AISI	j

## REFRIGERATORS

Pos	Factory Code	Code	Descrizione	Description	Ref/notes
100	509R24700	096185	Cruscotto comandi	Panel 430 AISI	k
<b>100</b>	<b>509R24200</b>	*	<b>Cruscotto comandi</b>	<b>Panel 304 AISI</b>	<b>n1</b>
102	832R10100	093609	Cerniera per cruscotto dx	Hinge for panel	
102a	832R10200	093610	Cerniera per cruscotto sx	Hinge for panel	
103	833R20900	093345	Serratura	Lock	
<b>103</b>	<b>833R21100</b>	<b>093433</b>	<b>Serratura</b>	<b>Lock</b>	<b>n1</b>
104	640712100	087485	Micro porta	Switch	j,k
<b>104</b>	<b>640R02100</b>	<b>094035</b>	<b>Micro porta</b>	<b>Switch</b>	<b>Not for n1</b>
105	646R10803	093532	Termoregolatore ir33 IMEL1J0545 pc	Thermoregulator IMEL1J0545	To be set - a,b,e,f,g,g1
105	646R11000	093329	Termoregolatore ir33 Gab/mass pv	Thermoregulator Gab /mass	To be set - c,d
<b>105</b>	<b>646R11101</b>	<b>093434</b>	<b>Termoregolatore ir33 IM-EL1J0548</b>	<b>Thermoregulator IMEL1J0548</b>	<b>n1</b>
<b>106</b>	<b>501R37403</b>	<b>094389</b>	<b>Protezione</b>	<b>Protection</b>	
107	501R37502	093354	Staffa per protezione	Support fro protection	
<b>107</b>	<b>504R24400</b>		<b>Staffa per protezione</b>	<b>Support fro protection</b>	<b>n1</b>
108	140088006	0L0113	Guarnizione	Gasket	
109	755R03901	093268	Membrana	Membrane	a,b,c,d,e,f,g up to 7381
109	598R81500	095022	Membrana Zanussi	Zanussi membrane	Zan prod from 7391
109	598R81601	095023	Membrana Electrolux	Electrolux membrane	Elux prod from 7391
109	598R81700	095024	Membrana neutra	Neutral membrane	Alpen prod from 7391
<b>109</b>	<b>598R98500</b>		<b>Membrana Electrolux</b>	<b>Electrolux membrane</b>	<b>n1 - Electrolux</b>
<b>109</b>	<b>598R99100</b>		<b>Membrana Zanussi</b>	<b>Zanussi membrane</b>	<b>n1 - Zanussi</b>
<b>109</b>	<b>598R99200</b>		<b>Membrana Alpen</b>	<b>Alpen membrane</b>	<b>n1 - Alpen</b>
110	546R12100	092353	Protezione micro porta	Swich door protection	Not for n1
111	541R05401	093269	Tappo per cerniera porta	Door hinge plug	
112	639R06800	*	Connettore dritto 3 vie	Connector 3 ways right	
112	639R06900	*	Connettore dritto 7 vie	Connector 7 ways right	
112		099740	Connettore 90° 7 vie	Connector 7 ways 90°	
112		099741	Connettore 90° 5 vie	Connector 5 ways 90°	
112		088998	Connettore 90° 3 vie	Connector 3 ways 90°	
112		099743	Connettore 90° 3 vie piccolo	Connector 3 ways 90° small	
112		099742	Connettore 90° 2 vie	Connector 2 ways 90°	
112		091682	Connettore 90° 4 vie	Connector 4 ways 90°	
112		091684	Connettore 90° 5 vie	Connector 5 ways 90°	
*	639R09600	093180	Convertitore spina UK	UK plug converter	
113	624R01400	093270	Alimentatore	Light power	Not for j,k,n1
113	648R11300	096179	Alimentatore	Light power	j,k
<b>114</b>	<b>855R12701</b>	<b>093810</b>	<b>Led +supporto</b>	<b>Led-lamp + support</b>	<b>n1</b>
<b>115</b>	<b>546R19501</b>	<b>093386</b>	<b>Supporto scheda led</b>	<b>Support led-lamp</b>	<b>n1</b>
<b>116</b>	<b>546R19600</b>	<b>093387</b>	<b>Protezione scheda led</b>	<b>Protection led-lamp</b>	<b>n1</b>
<b>117</b>	<b>648R05501</b>		<b>Scheda led depotenziata</b>	<b>Led-lamp board</b>	<b>n1</b>
<b>119</b>	<b>569R05900</b>	<b>093390</b>	<b>Guarnizione per scheda led</b>	<b>Ledlamp board gasket</b>	<b>n1</b>



NordCap GmbH & Co. KG  
Thalendorststraße 15  
28307 Bremen  
Hauptsitz (Service, Finanzen & Personal, Lager, IT, Marketing)

Telefon: +49 421 48557-0  
Telefax: +49 421 488650  
E-Mail: [bremen@nordcap.de](mailto:bremen@nordcap.de)

Die NordCap Verkaufsniederlassungen in Deutschland:

Nord: Hamburg • Ost: Berlin • Süd: Ingelheim • West: Erkrath

by **NordCap**<sup>®</sup>

**ALPENINOX**