

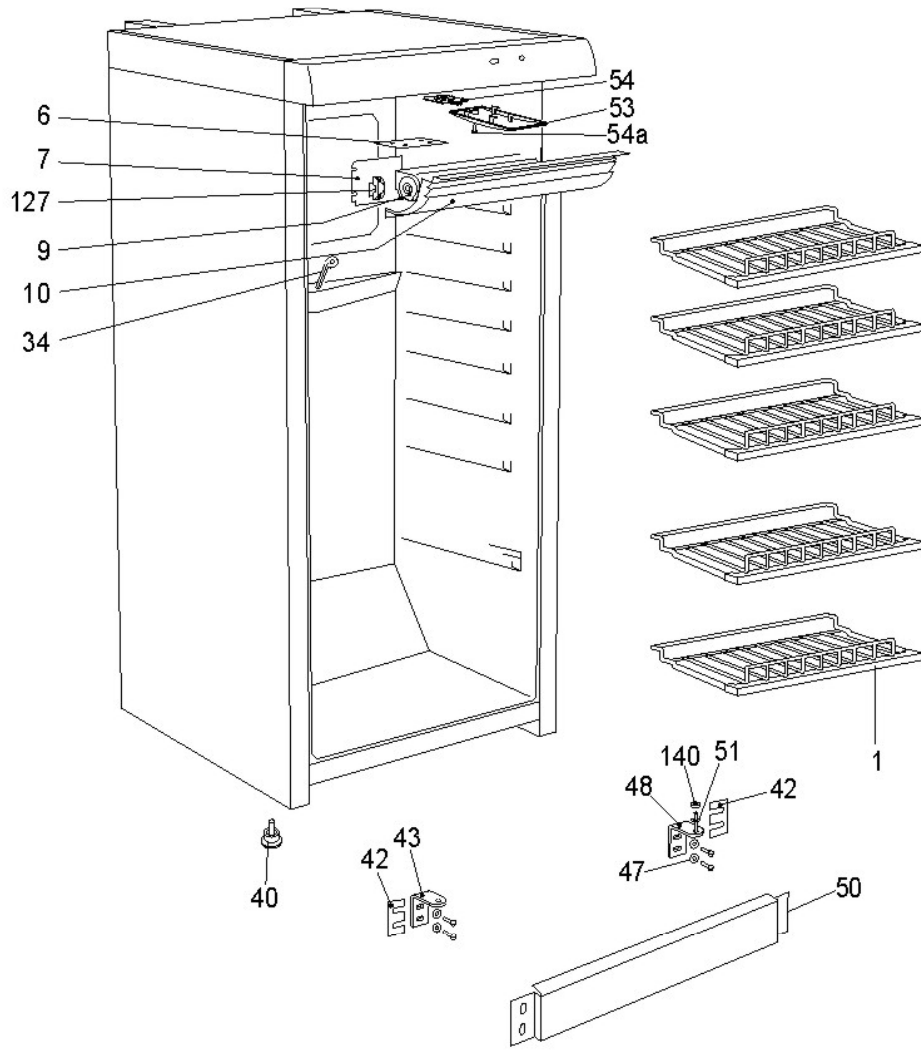
COOL-LINE-Kühlschrank

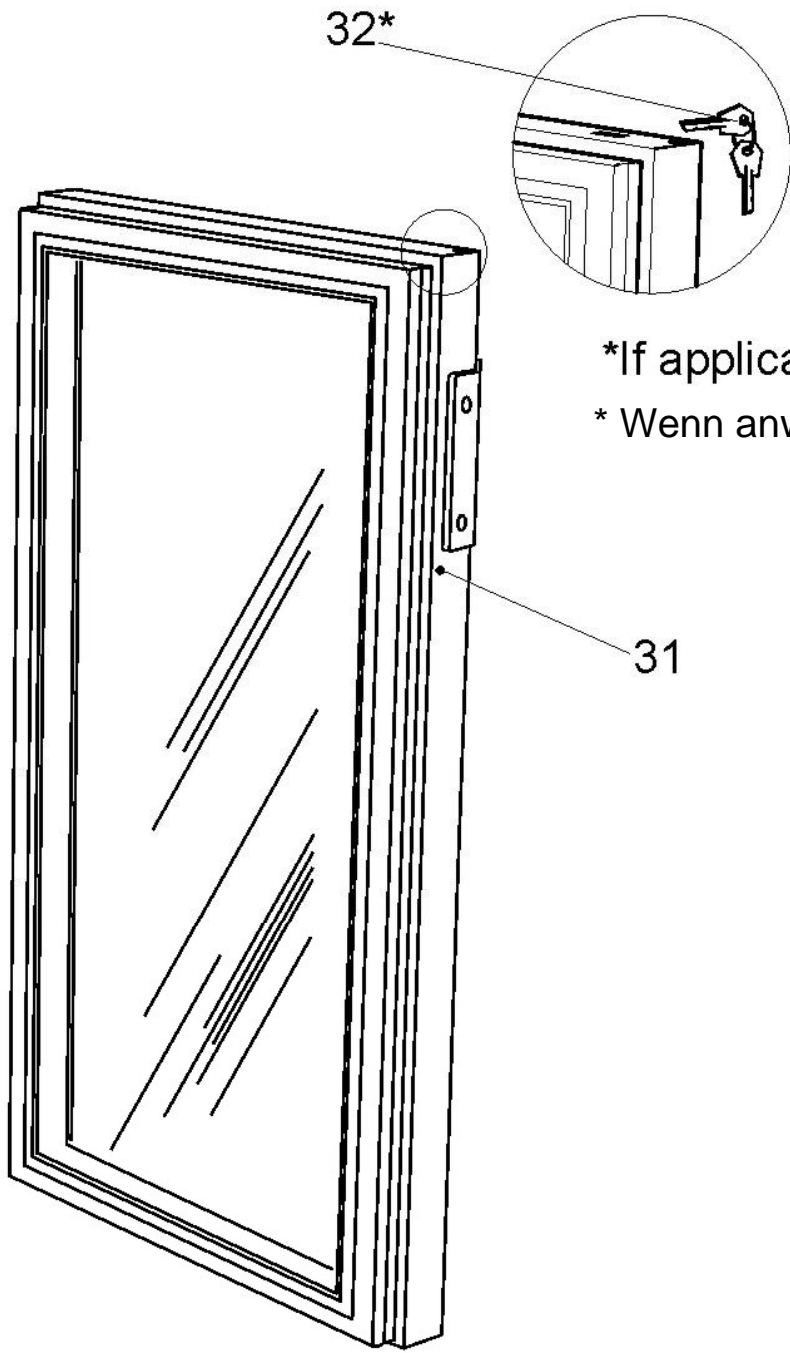
**CD 290 LED**

Art. 4702902102

**Ersatzteilliste-Explosionszeichnung**

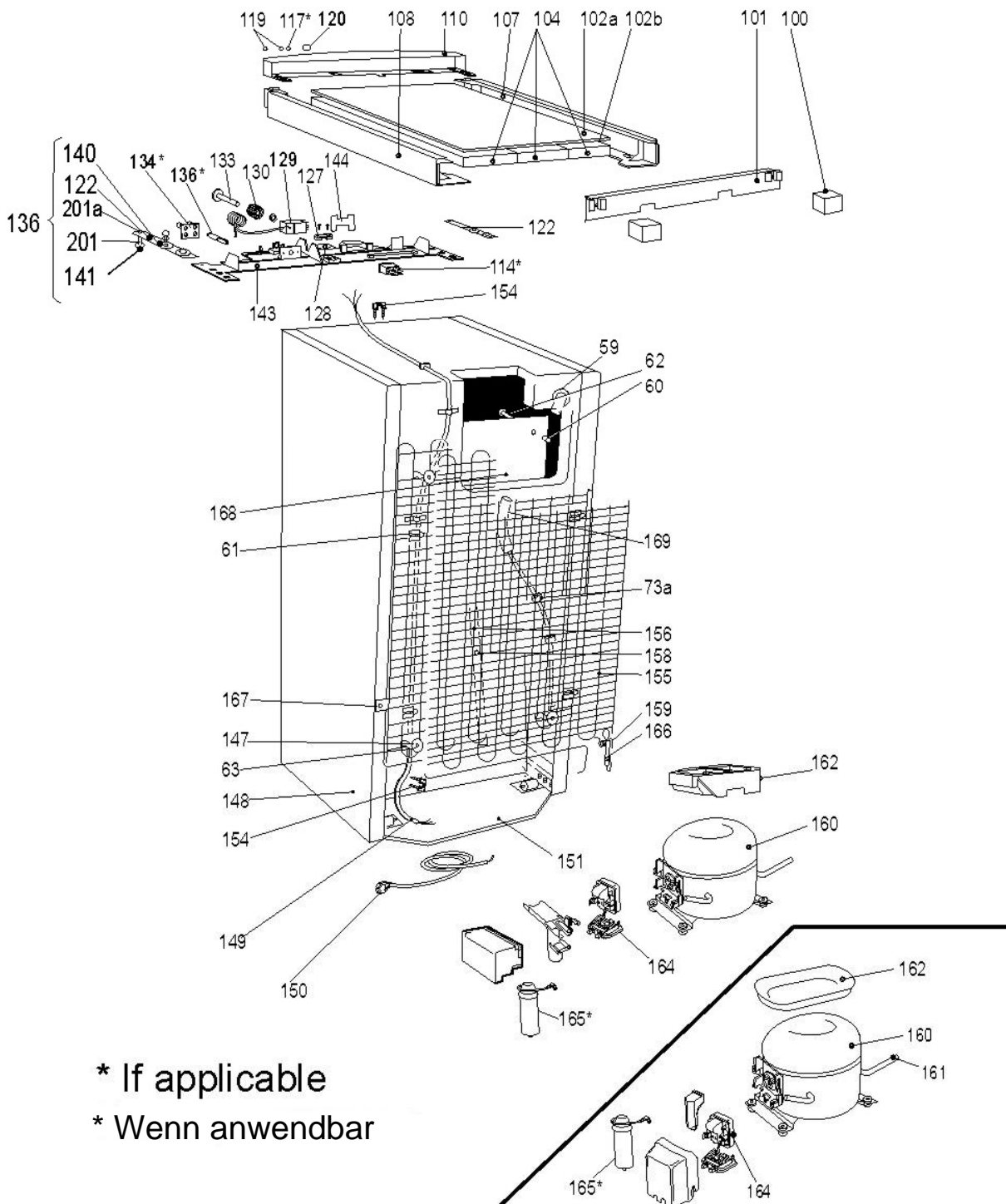
**Catalogue of parts and units**





\*If applicable

\* Wenn anwendbar



## DE Ersatzteilliste-Explosionszeichnung

Kode der Teil	Katalog Kode	Name
D315117-04-O	119	Deckel (Abb.3)
D315117-01	117	Deckel (Abb.3)
D315133	120	Deckel (Abb.3)
KKHMK95AA(3)-B5	160	Kompressor (Abb.3)
M175136-01	159	Technologische Rohre (Abb.3)
S220027-00	155	Verflüssiger (Abb.3)
D132001	61	Verbindungsstück (Abb.3)
D357281	162	Wanne (Abb.3)
D710003	63	Scheibe (Abb.3)
D060173-O	143	Montagepaneel (Abb.3)
D100130	134	Halter (Abb.3)
D100140-O	144	Halter (Abb.3)
D140117-O1	127	Klammer (Abb.3)
M150427-00-Y1	128	Platte (Abb.3)
D224008-O	130	Rädchen (Abb.3)
S571048	136	Signalleuchte (Abb.3)
D253099OSN141	133	Regler (Abb.3)
KRHMK95AA(B)-B5	164	Anlaßrelais (Abb.3)
V420089	129	Thermoregler (Abb.3)
S229037	114	Schalter (Abb.3)
V519150-09	149	Elektrodraht (Abb.3)
V503063-04	150	Netzdraht (Abb.3)
V430167-01-O1	168	Verdampfer (Abb.3)
M950023-00-Y1	141	Scheibe (Abb.3)
M950023-01-Y1	51	Scheibe (Abb.1)
M140135-00-4	167	Klammer (Abb.3)
D145028-00	154	Klemme (Abb.3)
M150402-00-O1	6	Platte (Abb.1)
D151113-O	101	Platte (Abb.3)
D156067-03	104	Zwischenlage (Abb.3)
D161016-00-O	107	Winkel (Abb.3)
D161016-01-O	108	Winkel (Abb.3)
D212166-02	59	Buchse (Abb.3)
D315143-00	10	Deckel (Abb.1)
D322042-00	169	Verschlussklappe (Abb.3)
D327009	7	Gardine (Abb.1)
M333006-00	156	Rinne (Abb.3)
S571057	54	LED Montageplate (Abb.1)
D404026-00	53	Leuchtarkörper (Abb.1)
40081150.0510	54a	Schraube (Abb.1)
V433005	166	Trocknenfilter (Abb.3)
D315138-O	102a	Deckel (Abb.3)
D156095-00	102b	Zwischenlage (Abb.3)
KEQLK452400A3	9	Ventilator (Abb.1)
D212096	73a	Buchse (Abb.3)
M120204-00-Y1	122	Konsole (Abb.3)
M206077-00	201	Achse (Abb.3)
40081050.0040	201a	Mutter M6 (Abb.3)
D194073-O	62	Spund (Abb.3)
D194066-O	158	Spund (Abb.3)
V355303-00-OO	148	Schrank (Abb.3)
M150424-00-1IO1	50	Platte (Abb.1)
V043056-00	151	Stütze (Abb.3)
V043041-00-J1	40	Stütze (Abb.1)
M120077-00	147	Konsole (Abb.3)
M120199-00-5IO1	43	Konsole (Abb.1)
D212126	60	Buchse (Abb.3)
D155194-00-O	42	Zwischenlage (Abb.1)
M950018-00-Y1	47	Scheibe (Abb.1)
V120082-00-IO1	48	Konsole (Abb.1)
D-V320178-02-SP	31	Tür (Abb.2)
KFX44XCAMLOCK	32	Schloss (Abb.2)
D710019-O	140	Scheibe (Abb.1)
D578002	34	Reiniger (Abb.1)
D270080-O	100	Stütze (Abb.3)
V054079-00-O1	1	Metalregal (Abb.1)
D060168OOL01SP	110	Dekorative Paneel (Abb.3)

EN Catalogue of parts and units

Part code	Catalog code	Name
D315117-04-O	119	Cover (Pic.3)
D315117-01	117	Cover (Pic.3)
D315133	120	Cover (Pic.3)
KKHMK95AA(3)-B5	160	Compressor (Pic.3)
M175136-01	159	Technological tube (Pic.3)
S220027-00	155	Condenser (Pic.3)
D132001	61	Clip of condenser (Pic.3)
D357281	162	Tray (Pic.3)
D710003	63	Washer (Pic.3)
D060173-O	143	Mounting panel (Pic.3)
D100130	134	Holder (Pic.3)
D100140-O	144	Holder (Pic.3)
D140117-O1	127	Clip (Pic.3)
M150427-00-Y1	128	Plate (Pic.3)
D224008-O	130	Wheel of thermostat dial (Pic.3)
S571048	136	Signal lamp (Pic.3)
D253099OSN141	133	Knob of thermostat (Pic.3)
KRHMK95AA(B)-B5	164	Starting relay (Pic.3)
V420089	129	Thermostat (Pic.3)
S229037	114	Light switch (Pic.3)
V519150-09	149	Wiring (Pic.3)
V503063-04	150	Supply cord (Pic.3)
V430167-01-O1	168	Evaporator (Pic.3)
M950023-00-Y1	141	Washer (Pic.3)
M950023-01-Y1	51	Washer (Pic.1)
M140135-00-4	167	Clip (Pic.3)
D145028-00	154	Clamp (Pic.3)
M150402-00-O1	6	Plate (Pic.1)
D151113-O	101	Plate (Pic.3)
D156067-03	104	Spacer (Pic.3)
D161016-00-O	107	Angle (Pic.3)
D161016-01-O	108	Angle (Pic.3)
D212166-02	59	Bushing (Pic.3)
D315143-00	10	Cover (Pic.1)
D322042-00	169	Plug (Pic.3)
D327009	7	Blind (Pic.1)
M333006-00	156	Chamfer (Pic.3)
S571057	54	LED mounting plate (Pic.1)
D404026-00	53	Cover of LED plate (Pic.1)
40081150.0510	54a	Screw (Pic.1)
V433005	166	Filter-dryer (Pic.3)
D315138-O	102a	Top cover (Pic.3)
D156095-00	102b	Spacer (Pic.3)
KEQLK452400A3	9	Blower (Pic.1)
D212096	73a	Bushing (Pic.3)
M120204-00-Y1	122	Bracket (Pic.3)
M206077-00	201	Axle (Pic.3)
40081050.0040	201a	Nut M6 (Pic.3)
D194073-O	62	Pin (Pic.3)
D194066-O	158	Pin (Pic.3)
V355303-00-OO	148	Foamed cabinet (Pic.3)
M150424-00-1IO1	50	Plate (Pic.1)
V043056-00	151	Support for compr. fixing (Pic.3)
V043041-00-J1	40	Support (Pic.1)
M120077-00	147	Bracket (Pic.3)
M120199-00-5IO1	43	Bracket (Pic.1)
D212126	60	Bushing (Pic.3)
D155194-00-O	42	Spacer (Pic.1)
M950018-00-Y1	47	Washer (Pic.1)
V120082-00-IO1	48	Bracket (Pic.1)
D-V320178-02-SP	31	Door (Pic.2)
KFX44XCAMLOCK	32	Lock (Pic.2)
D710019-O	140	Washer (Pic.1)
D578002	34	Cleaning tool (Pic.1)
D270080-O	100	Support (Pic.3)
V054079-00-O1	1	Metal shelf (Pic.1)
D060168OOL01SP	110	Decorative panel (Pic.3)