

Ersatzteilliste-Explosionszeichnung Umluft-Gewerbekühlschrank **KU 1402 Premium**

[Art. 402728693]



Thermoregulator
refrigerator - 2M - full door

CABINETS PREMIUM

R290

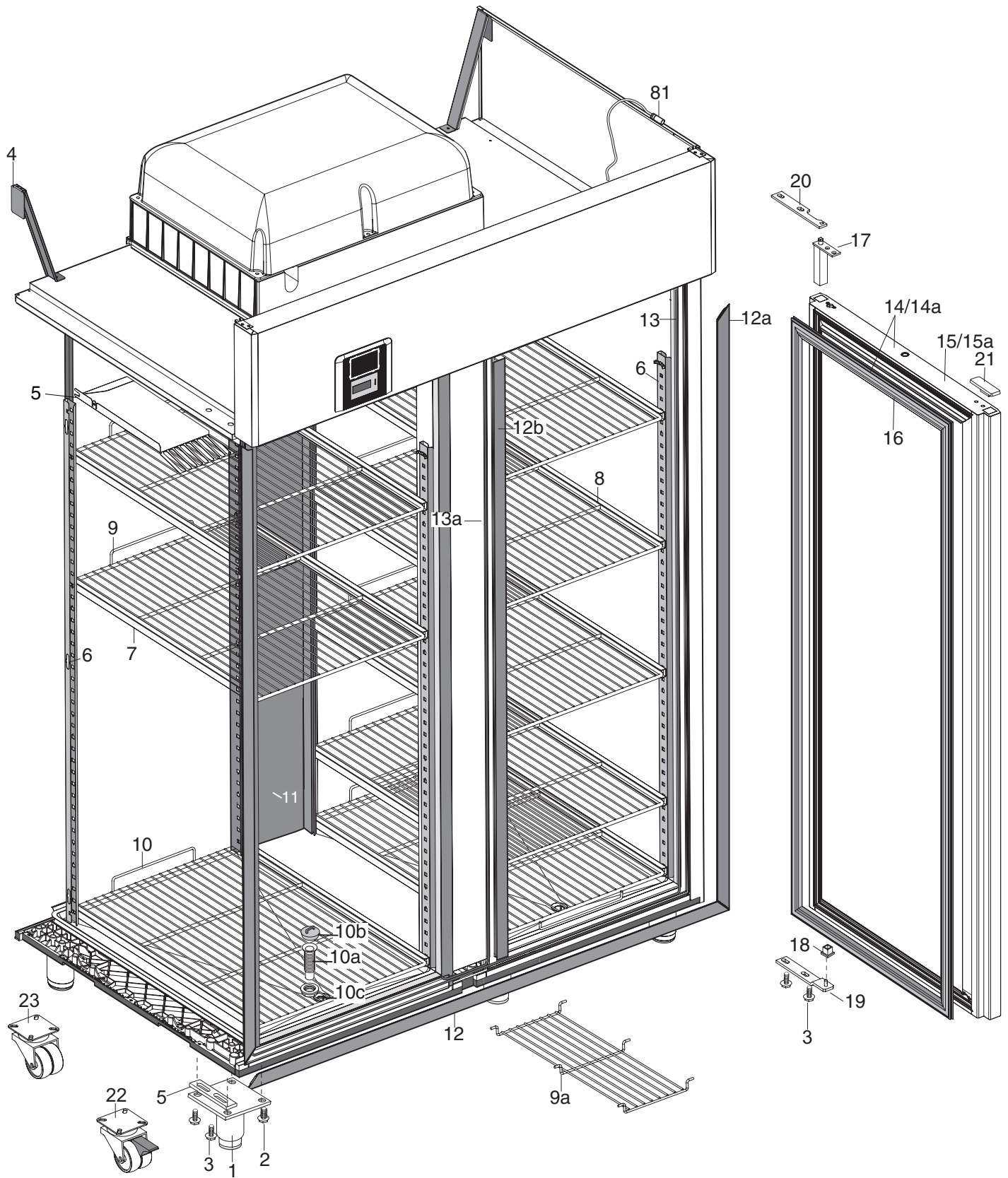
PNC	Avv.	Description	Brand	Ref.	Page
110162	02/02	FV 2M PREMIUM R290 -2/+10 FULL 304/304	ZANUSSI	m	2,5,6
110593	00/00	2-DOOR REFR 1430L -2/+10°C,DIGITAL-R290	ZANUSSI	n	2,5,6
110594	00/00	2-GLASS DOOR REF 1430L +2/+10°C,DIGITAL-R290	ZANUSSI	o	3,5,6
110595	01/01	4x½-DOOR REFR 1430L -2/+10°C,DIGITAL-R290	ZANUSSI	p	4,5,6
110850	01/01	2-GLASS DOOR REFRIG 1430L +2/+10°C, DIGITAL-R290	ZANUSSI	q	3,5,6
727320	22/22	FV 2M PREMIUM R290 -2/+10 FULL 304/304	ELUX	a	2,5,6
727321	21/21	FV 2M PREMIUM R290 +2/+10 Glass doors 304/304	ELUX	d	3,5,6
727322	23/23	FV 2M PREMIUM R290 -2/+10 4 1/2 doors 304/304	ELUX	g	4,5,6
727388	23/23	FV 2M PREMIUM R290 -2/+10 FULL 304/304 UK	ELUX	c	2,5,6
727389	22/22	FV 2M PREMIUM R290 +2/+10 Glass doors 304/304 UK	ELUX	f	3,5,6
727965	01/01	2-GLASS DOOR REFRIG 1430L +2/+10°C, DIGITAL-R290	ELUX	k	3,5,6
727967	01/01	2-GLASS DOOR REFRIG 1430L +2/+10°C, DIGITAL-R290-UK	ELUX	j	3,5,6
728693	22/22	FV 2M PREMIUM R290 -2/+10 FULL 304/304	APX	b	2,5,6
728694	21/21	FV 2M PREMIUM R290 +2/+10 Glass doors 304/304	APX	e	3,5,6
728712	16/16	FV 2M PREMIUM R290 -2/+10 4 1/2 doors 304/304	ALPEN	l	4,5,6
728739	17/17	FV 2M PREMIUM R290 -2/+10 FULL 304/304 UK	ALPEN	h	2,5,6
728740	16/16	FV 2M PREMIUM R290 +2/+10 Glass doors 304/304 UK	ALPEN	i	3,5,6
729512	01/01	2-GLASS DOOR REFRIG 1430L +2/+10°C, DIGITAL-R290	ALPEN	r	3,5,6

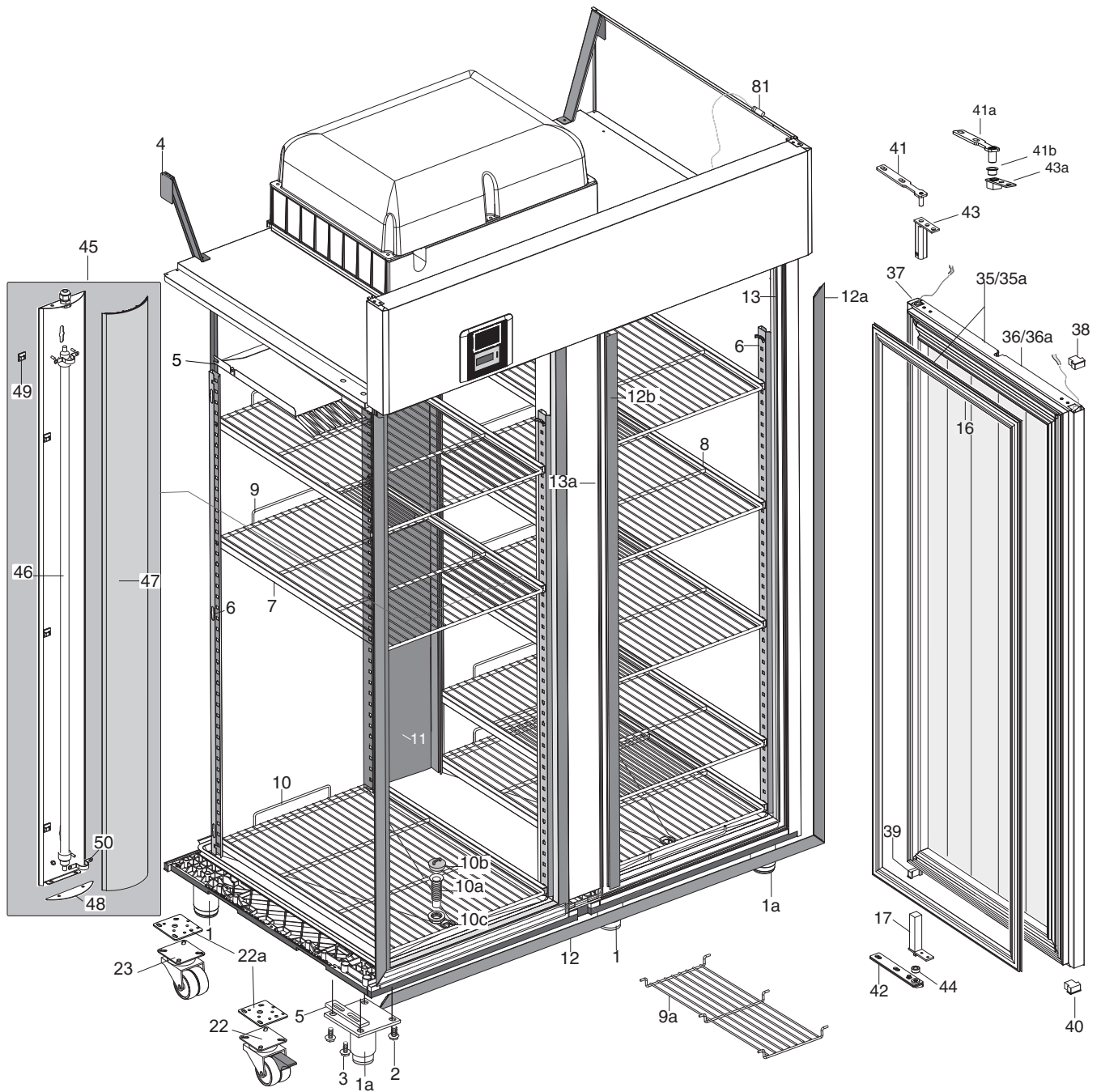
Note: per la corretta identificazione dei componenti, attenersi esclusivamente alle pagine indicate e alla lettera di riferimento.

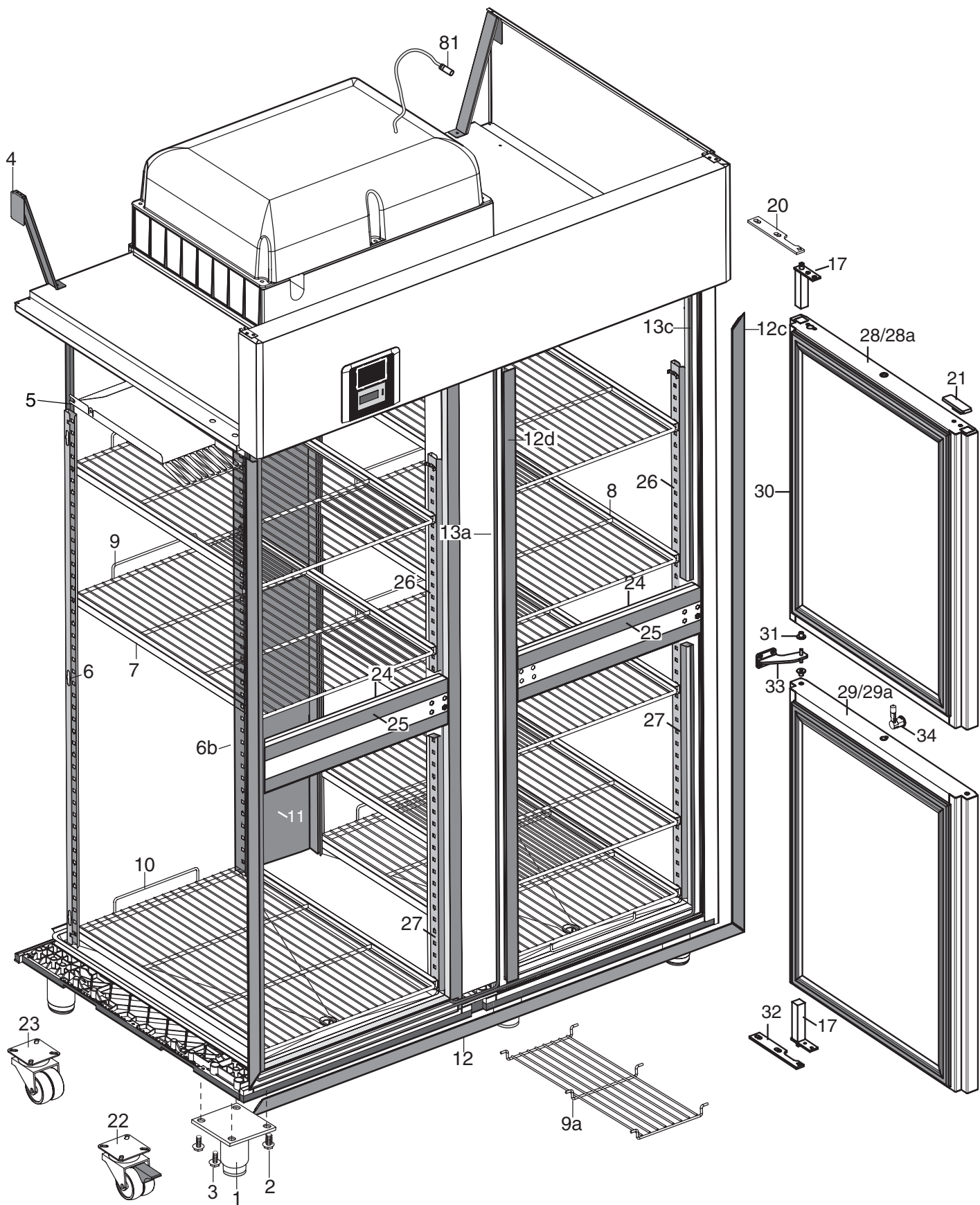
For correct identification of the components, follow the indicated pages and the reference letter.

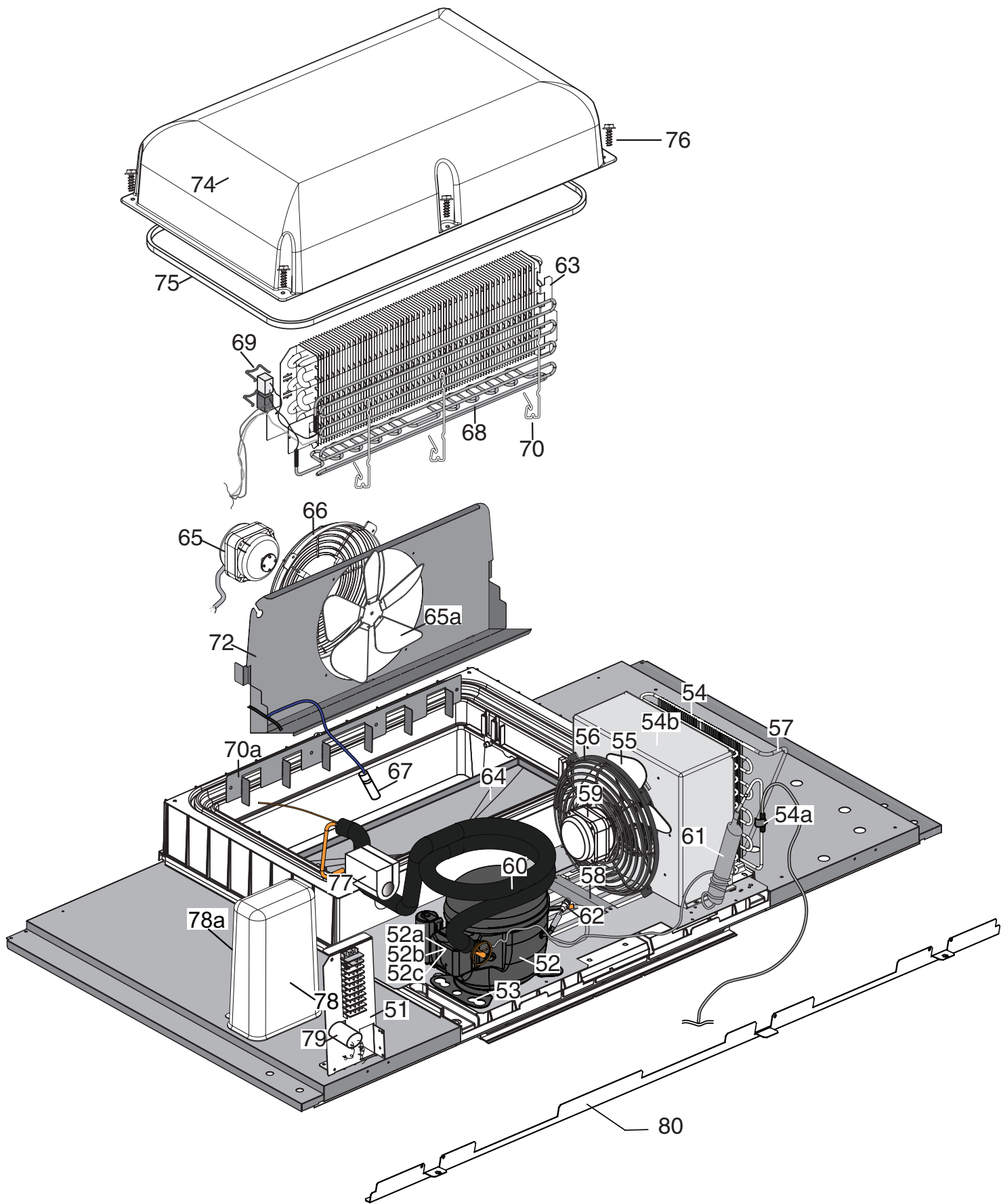
	Index	Indice
Pag. 2,3,4	Cabinet and door	Armadio e porta
5	Cooling unit assembly	Gruppo refrigerante
6	Control panel	Pannello comandi
7...10	Spare parts list	Lista ricambi

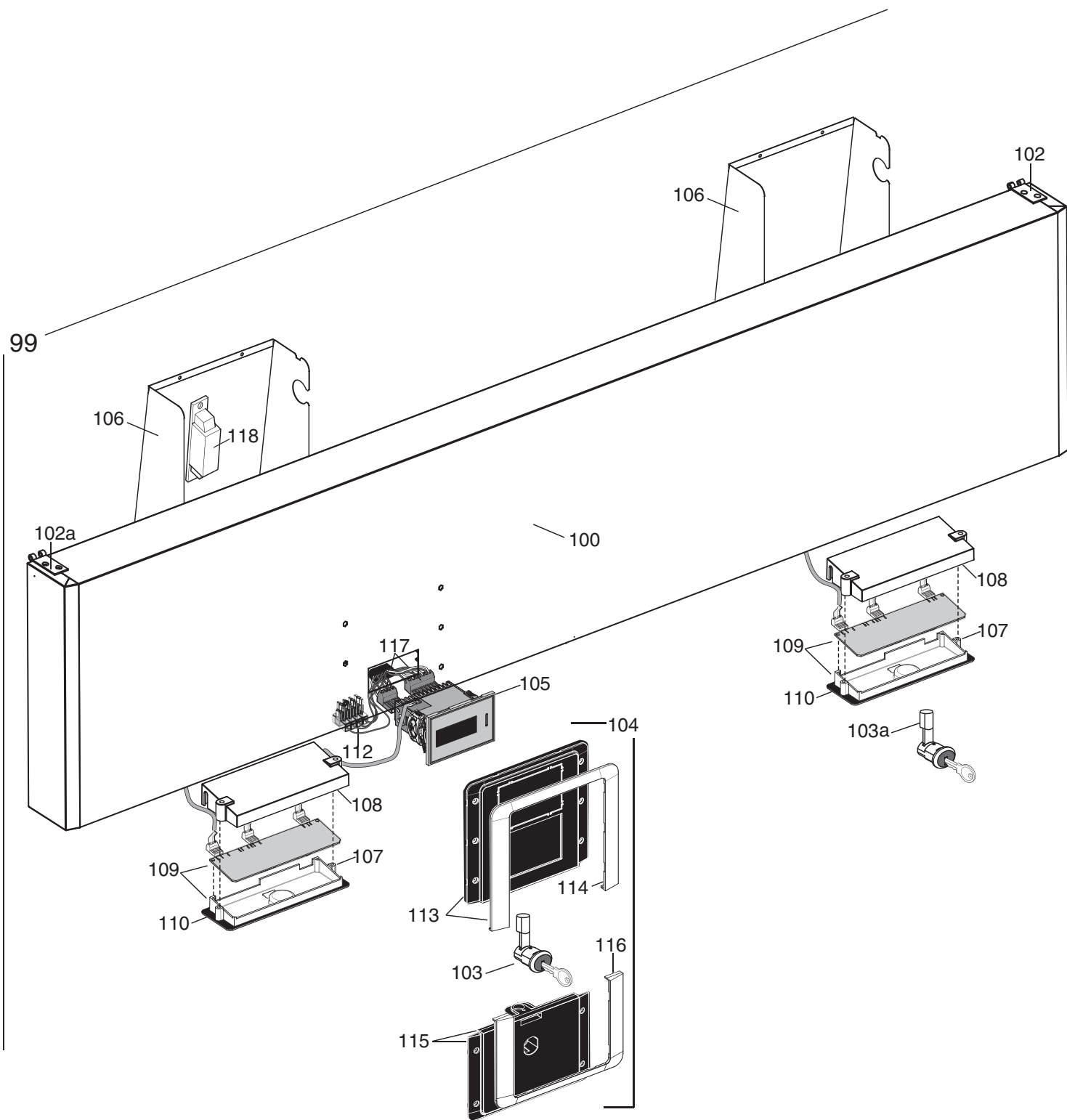
Rev: 8











Pos	Spare part code	Factory code	Descrizione	Description	Ref - Note
1	093243	541R05001	Piedino	Foot	
1a	093244	518R02600	Piedino anteriore porta vetro	Back foot glass door	
2	093245	217555204	Vite per plastica per piedino	Screw (use by fix foot)	
3	093246	518708601	Vite m8x20 per fiss. staffa sup/inf	Screw m8X20 (use by fix bracket)	
4	093394	502R17500	Staffa supporto fianchi	Side support	
5		875R37500	Assieme carter interno	Internal protection assembly	
6	093355	501R36201	Cremagliera anteriore/posteriore	Front and Back Rack	
7	093358	501R48000	Guida Sx	Left support	
8	093359	501R48200	Guida Dx	Right support	
9	093252	514R10600	Griglia 2/1 rilsan	Grid 2/1rilsan	a,c,d,f,g,h,i,j, k,l,n,o,p,q,r
9	081883	514702003	Griglia 2/1 aisi 304	Grid 2/1 aisi 304	b,e
9a	093397	514R11701	Griglia centrale	Central grid rilsan	a,c,g,h,l,n,p
9a	093398	514R11801	Griglia centrale 304	Central grid 304	b
10	093253	514R12200	Griglia di fondo rilsan	Bottom grid rilsan	a,c,d,f,g,h,i,j, k,l,n,o,p,q,r
10	094231	514R17500	Griglia di fondo aisi 304	Bottom grid aisi 304	b,e
10a	081823	544701300	Piletta di scarico	Drain pipe	up to 237070 (2012)
10a	093714	546R26000	Piletta di scarico	Drain pipe	from 238100 (2012)
10b	085535	545733700	Tappo per piletta	Drain pipe plug	
10c	081797	544701400	Controdado per piletta	Drain pipe nut	
11	093497	501R61700	Supporto centrale post. cremagliere	Central back rack support	
12	093545	832R09202	Cornice orrizzontale	Orrizzontal frame	
12a	093255	832R09101	Cornice verticale	Vertical frame	
12b	093399	832R09402	Cornice verticale montante	Vertical frame central support	
12c	093256	832R09300	Cornice verticale 1/2 porte	Vertical frame 1/2 doors	
12d	*	832R09601	Cornice verticale montan. 1/2 porte	Vertical frame 1/2 doors central support	
13	093429	617R07200	Cavo riscaldante cornice 11,58 W	Heating cable frame 11,58 W	
13a	093419	617R07000	Cavo riscaldante cornice 6,39W	Heating cable frame 6,39W	
13c	093436	617R07400	Cavo risca.cornice 1/2 porte 16,28W	Heating cable frame 16,28 W half doors	
14	093478	835R27208	Porta con guarn. cern.e masch. sx	Gasket, hinge, template and door (left)	
14a	094259	835R27308	Porta con guarnizione e cerniere dx	Gasket, hinge and door (right)	
15	093477	835R27607	Porta sx per mascherina	Door (left) for template	
15a	093587	835R27706	Porta dx	Door (right)	
16	093257	548R06802	Guarnizione porta vetro	Gasket glass door	glass door
16	094152	548R08000	Guarnizione porta cieca/pv LED	Gasket full door and LED glass door	full door and k,j,q,r
17	082219	835704001	Cerniera porta	Hinge door	
18	081654	544700601	Boccola per porta	Door bush	
19	093341	833R21600	Staffa inferiore porta	Lower stirrup door	
20	082257	505723802	Staffa superiore porta	Upper stirrup door	
21	093271	541R05301	Tappo per cerniere	Hole hinge plug	
22	093575	835R24900	Ruota rotante con freno	Brake wheel	c,f,h,i
22a	096411	504R17300	Piastra di sostegno	Support plate for wheels	j
23	093574	835R24800	Ruota rotante	Wheel	c,f,h,i
24	093342	880R64100	Traversa per 1/2 porte a304	Support half door a304	
25	093272	832R10000	Cornice per traversa	Support half door frame	
26	093363	501R51700	Cremagliera ant. 1/2 porte sup.	Upper rack 1/2 doors a304	
27	093364	501R46100	Cremagliera ant. 1/2 porte 304 inf.	Lower rack 1/2 doors a304	

Pos	Spare part code	Factory code	Descrizione	Description	Ref - Note
28	093546	835R26310	Ass.1/2 porta superiore a304 sx	Upper half door a304 left	
28a	*	835R29608	Ass.1/2 porta superiore a304 dx	Upper half door a304 right	
29	093519	835R25509	Ass.1/2 porta inferiore a304 sx	Lower half door a304 left	
29a	093519	835R25509	Ass.1/2 porta inferiore a304 dx	Lower half door a304 right	
30	094153	548R08101	Guarnizione magnetica 1/2 porte	Half door gasket	g,l,p
31	093392	546R21100	Boccola per cerniera 1/2 porte	Half door bush	
32	093301	833R21900	Ass. cerniera inferiore	Lower hinge assembly	
33	093344	505R12400	Cerniera centrale	Central hinge door	
34	093433	833R21100	Serratura	Serratura	
35	093522	880R57101	Ass. porta vetro completa sx	Left Glass door assembled	d,e,f,i,o
35		883R04301	Ass. porta vetro LED completa sx	Left LED Glass door assembled	k,j,q,r
35a	093588	880R63801	Ass. porta vetro completa dx	Right Glass door assembled	d,e,f,i,o
35a		883R04501	Ass. porta vetro LED completa dx	Right LED Glass door assembled	k,j,q,r
36	093461	879R15700	Porta vetro tn sx	Left Glass door TN	d,e,f,i,o
36	096174	879R36700	Porta vetro LED tn sx	Left LED Glass door TN	k,j,q,r
36a	093498	879R18800	Porta vetro tn dx	Right Glass door tn	d,e,f,i,o
36a	096178	879R37100	Porta vetro LED tn dx	Right LED Glass door tn	k,j,q,r
37	093535	546R22400	Tappo sup. dx pv	Upper right plug door GL	
38	093536	546R22300	Tappo sup. sx pv	Upper left plug door GL	
39	093537	546R22500	Tappo inf. dx pv	Lower right plug door GL	
40	093538	546R22200	Tappo inf. sx pv	Lower left plug door GL	
41	093349	505R12700	Staffa superiore pv	Upper hinge GL	d,e,f,i,o
41a	096180	505R21900	Staffa superiore pv LED	Upper hinge GL LED	k,j,q,r
41b	096182	546R35300	Boccola GFM-16-18-16	Bush GFM-16-18-16	k,j,q,r
42	093301	833R21900	Ass. staffa inf.(reversibile) pv	Lower bracket (reversible)	
43	093320	835R28100	Ass cerniera sup pv	Upper hinge GL	d,e,f,i,o
43a	096181	505R22000	Ass cerniera sup pv LED	Upper hinge GL LED	k,j,q,r
44	093517	546R23100	Boccola per cerniera PV	Hinge bush GL	
45	093303	880R60700	Ass. lampada completo	Light support assembly	d, e, f, i up to 2471...
45	094484	835R26801	Ass. lampada completo	Light support assembly	d, e, f, i, o from 2481...
46	093350	661R01000	Lampada 28W	Neon 28W	d,e,f,i,o
47	093258	546R22600	Frontale lampada	Protection light	d,e,f,i,o
48	093351	501R49500	Tappo chiusura luce	Plug of clousure	d,e,f,i,o
49	093352	546R23200	Ferma cavo	Wiring stopper	d,e,f,i,o
50	093321	501R50200	Fermo lampada	Stopper light	d,e,f,i,o
51	093332	501R41503	Supporto impianto elettrico	Electrical wiring support	
52	093206	684R05900	Compressore (EMT6152U) R290	Compressor (EMT6152U) R290	
52a		*	Relè avviamento	Start relay	
52b		*	Protettore	Protector	
52c		*	Condensatore di avviamento	Start capacitor	
53	087122	518708401	Fissaggio compressore	Rubber compressor	
54	093431	830R06600	Condensatore 5R D4,76	Condenser 5R D4,76	
54a	092360	646R09400	Sonda condensatore	Probe condenser	
54b	093602	546R24200	Copertura condensatore	Condenser cover	
55	089697	511708800	Ventola 230-31 (elco)	Ventola 230-31(elco)	
56	089755	546709500	Protezione ventola	Fan protection	
57	093259	515R12700	Serpentina evap. acqua di conden.	Evaporation water pipe	
58	093260	543R09300	Fissaggio serpentina	Stopper pipe	
59	093334	682R05300	Ventilatore condensatore (elco)	Condenser ventilator (elco)	

Pos	Spare part code	Factory code	Descrizione	Description	Ref - Note
59	095603	682R11500	Ventilatore condensatore(NIQ3212)	Condenser ventilator (NIQ3212)	k,j,q,r
60	*	858R06700	Scambiatore	Heat exchanger	
61	084078	805729802	Filtro	Dehydrator filter	
62	0A8171	A02021800	Valvola per compressore	Compressor valve (charge or disch.)	
63	093430	830R04101	Evaporatore 4R 8T	Evaporator 4R 8T	
64	093432	833R20801	Vaschetta evaporatore	Evaporator tray	
65	093366	682R05900	Ventilatore evaporatore (EBM)	Evaporator fan (EBM)	Up to 5051...
65	094477	682R08600	Ventilatore evaporatore (EBM)	Evaporator fan (EBM)	From 5061...
65	095603	682R11500	Ventilatore evaporatore (NIQ3212)	Evaporator fan (NIQ3212)	k,j,q,r
65a	093784	511R01300	Ventola 230-31 ebm	Fan 230 -31 ebm	
66	089755	546709500	Griglia ventilatore	Motor fan support	
67	092173	646R06700	Sonda cella	Cavity probe	
68	093347	617R06200	Resistenza con termost. 3-4R D6,3	Heating element with thermostat	
69	093487	514R11601	Molla per fissaggio termostati	Thermostat spring	
70	093572	514R11000	Molla per fissaggio resistenza 4R	Heating element spring 4R	
70a	093509	501R40700	Deviatore aria	Air conveyor	
72	094428	502R57901	Convogliatore evaporat. pala 230	Evaporator conveyor	
73	093528	639R09900	Morsettiera	Clamp	
74	093261	835R24101	Assieme Calotta	Evaporator cover	Up to 6181
74	095201	835R47601	Assieme Calotta	Evaporator cover	From 6191
*	095200	881R32401	Modulo Calotta TN	Evaporator cover Module TN,	
75	093262	14701R003	Neoprene espa. 8x13,3 nero (M4)	Gasket cover (neoprene 8x13,3)	
76	093245	217555204	Vite senza punta x plastica	Cover screw	
77	093263	546R19702	Tamponcino per tubi	Pipe cover insulation	
78	094425	546R26501	Copertura scatola impianto elettrico	Wiring box cover	
78a	093976	546R26701	Scatola impianto elettrico	Wiring box	
79	092257	694R00501	Filtro antidisturbo	Electrical filter	
80	094617	501R49702	Rivestimento anteriore superiore AISI 304	Upper front covering AISI 304	
81	093371	646R10900	Sonda ambiente	Ambient probe	
99	093589	880R53005	Cruscotto senza mascherina A304	Panel without template A304	a,b,c,g,h,i, n,p
99	*	880R62110	Cruscotto senza masch. aisi 304 PV	Panel without template aisi 304 GL	d,e,f,i,o
99	*	883R04601	Cruscotto senza masch. aisi 304 PV LED	Panel without template aisi 304 LED GL	k,j,q,r
100	*	509R13604	Cruscotto 304 AISI	Panel 304 AISI	
100	096188	509R25100	Cruscotto 304 AISI	Panel 304 AISI	k,j,q,r
102	093609	832R10100	Cerniera per cruscotto dx	Hinge for panel right	
102a	093610	832R10200	Cerniera per cruscotto sx	Hinge for panel left	
103	093345	833R20900	Serratura	Latch	
103a	093433	833R21100	Serratura	Latch	
104	093380	855R10801	Ass.mascherina porta/cruscotto Elux	Complete template door and panel	a,c,g
104	093381	855R10900	Ass.mascherina porta/cruscotto ZAN	Complete template door and panel	m,n,p
104	093382	855R11000	Ass.mascher.porta/cruscotto Apx	Complete template door and panel	b ,h,i
104	093383	855R11101	Ass.mascher.porta/cruscotto pv Elux	Complete template door and panel GL	d,f
104	093384	855R11200	Ass.mascher. porta/cruscotto pv ZAN	Complete template door and panel GL	d,f,k,j,o,q
104	093385	855R11300	Ass.mascher.porta/cruscotto pv Apx	Complete template door and panel GL	e,i,r
105	093437	646R10601	Termoregolatore ir33 premium pc	Thermoregulator premium	To be set
106	094389	501R37403	Protezione	Protection led-lamp	
107	093386	546R19501	Supporto scheda led	Support led-lamp	

Pos	Spare part code	Factory code	Descrizione	Description	Ref - Note
108	093387	546R19600	Protezione scheda led	Protection led-lamp	
109	093809	855R12801	Scheda led 2M	Led-lamp board GL	
110	093390	569R05900	Guarnizione per scheda led	Ledlamp board gasket	
112	093391	639R10400	Morsetto	Clamp	
113	*	855R09900	Ass. mascherina cruscotto Elux	Assembled template panel Elux	a,c,g
113	*	855R10000	Ass. mascherina cruscotto ZAN	Assembled template panel ZAN	m,n,p
113	*	855R10100	Ass. mascherina cruscotto Apx	Assembled template panel Apx	b,h,l
113	*	855R10200	Ass. mascherina cruscotto pv Elux	Assembled template panel GL Elux	d,f,k,j
113	*	855R10300	Ass. mascherina cruscotto pv ZAN	Assembled template panel GL ZAN	o,q
113	*	855R10400	Ass. mascherina cruscotto pv Apx	Assembled template panel GL Apx	e,i,r
114	*	546R20000	Cornice mascherina cruscotto elux	Template frame for panel Elux	a,c,d,g,f,k,j
114	*	546R20100	Cornice mascherina cruscotto Z/apx	Template frame for panel Z/apx	b,e,h,i,l,m,n, o,p,q,r
115	*	855R10500	Ass. mascherina porta Elux	Assembled template door Elux	a,c,d,g,f,k,j
115	*	855R10600	Ass. mascherina porta ZAN	Assembled template door ZAN	m,n,o,p,q
115	*	855R10700	Ass. mascherina porta Apx	Assembled template door Apx	b,e,h,i,l,r
116	*	546R20200	Cornice mascherina porta Elux	Control door frame Elux	a,c,d,g,f,k,j
116	*	546R20300	Cornice mascherina porta ZAN/Apx	Control door frame ZAN/Apx	b,e,h,i,l,m,n, o,p,q,r
*	093491	217541085	Vite per fissaggio mascherina M3x8	Screws M3X8 for control door/panel	
117	092663	639R06800	Connettore dritto 3 vie	Connector 3 ways right	
117	092335	639R06900	Connettore dritto 7 vie	Connector 7 ways right	
117	099740	639730200	Connettore 90° 7 vie	Connector 7 ways 90°	
117	099741	639735900	Connettore 90° 5 vie	Connector 5 ways 90°	
117	088998	639722900	Connettore 90° 3 vie	Connector 3 ways 90°	
117	099743	*	Connettore 90° 3 vie piccolo	Connector 3 ways 90° small	
117	099742	639722800	Connettore 90° 2 vie	Connector 2 ways 90°	
117	091682	639R04400	Connettore 90° 4 vie	Connector 4 ways 90°	
117	091684	639R405	Connettore 90° 5 vie	Connector 5 ways 90°	
*	093180	639R09600	Convertitore spina UK	UK plug converter	c,f,h,i,l
118	093270	624R01400	Alimentatore	Light power	d,e,f,i,l,o
118	096179	648R11300	Alimentatore	Light power	k,j,q,r

Pos	<i>Spare part code</i>	<i>Factory code</i>	Descrizione	Description	Ref - Note
------------	----------------------------	-------------------------	--------------------	--------------------	-------------------



NordCap GmbH & Co. KG
Thalendorststraße 15
28307 Bremen
Hauptsitz (Service, Finanzen & Personal, Lager, IT, Marketing)

Telefon: +49 421 48557-0
Telefax: +49 421 488650
E-Mail: bremen@nordcap.de

Die NordCap Verkaufsniederlassungen in Deutschland:

Nord: Hamburg • Ost: Berlin • Süd: Ingelheim • West: Erkrath

by **NordCap**[®]

ALPENINOX