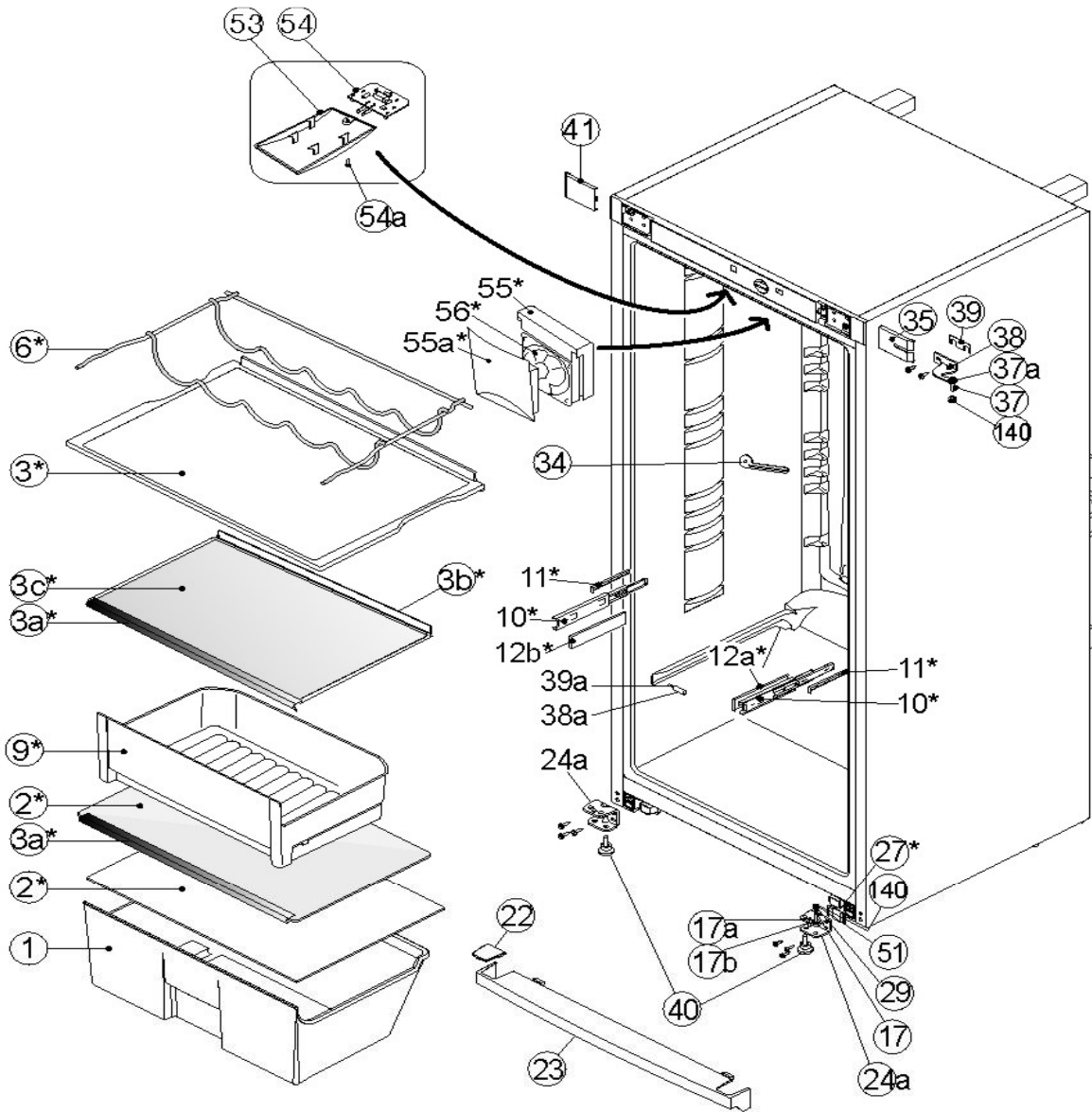


COOL-LINE-Kühlschrank

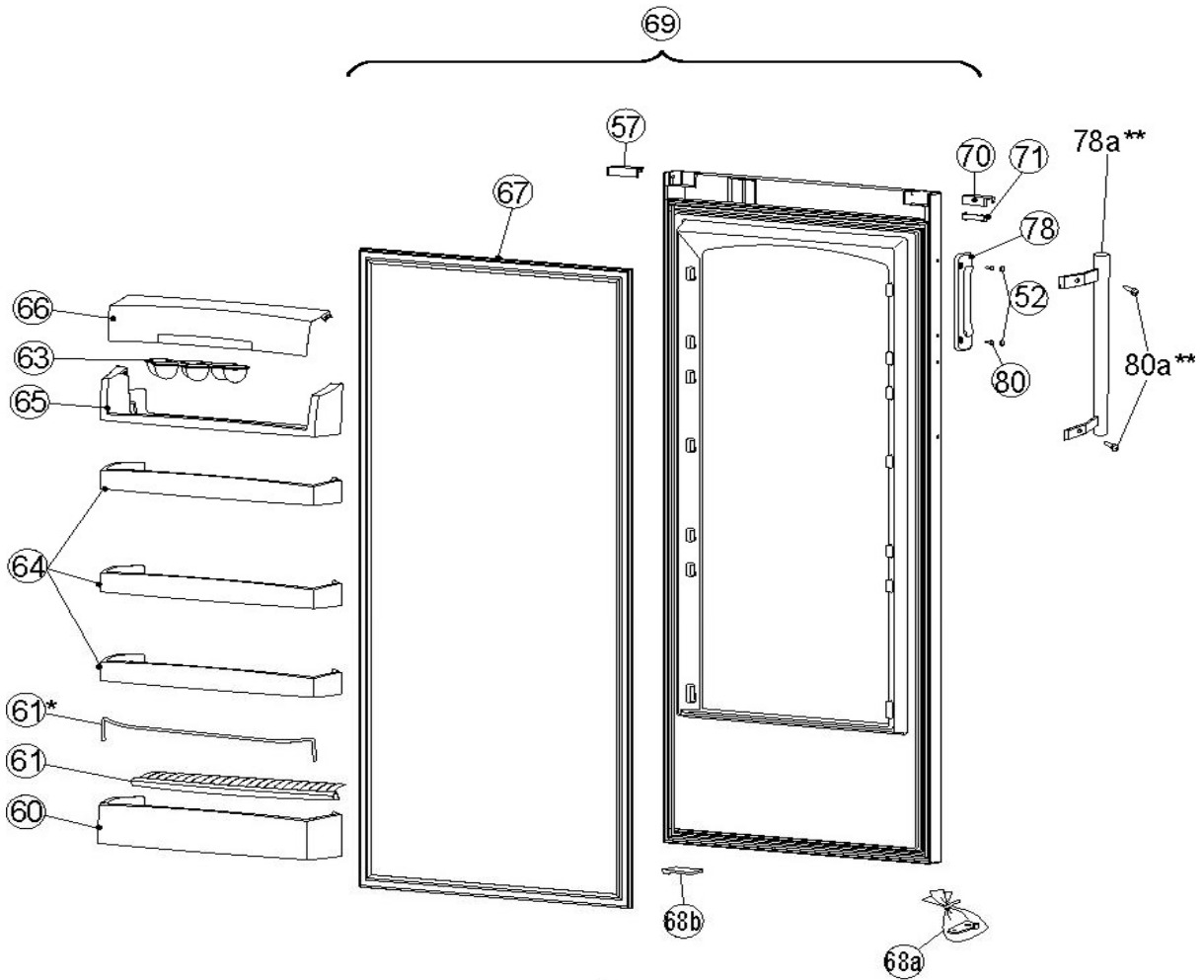
C 31 INOX

Art. 4703102782

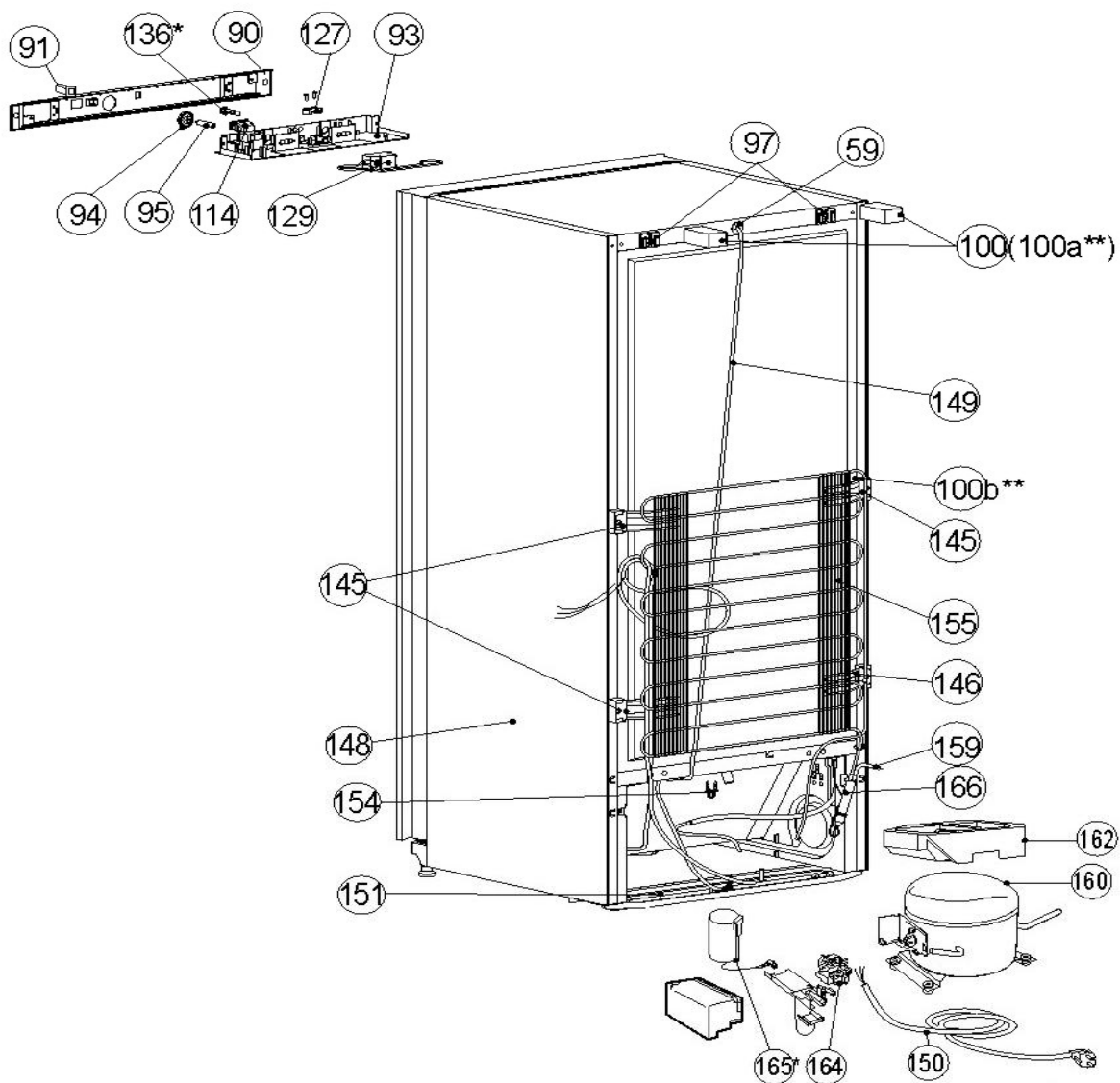
Ersatzteilliste-Explosionszeichnung



*If applicable
 * Wenn anwendbar

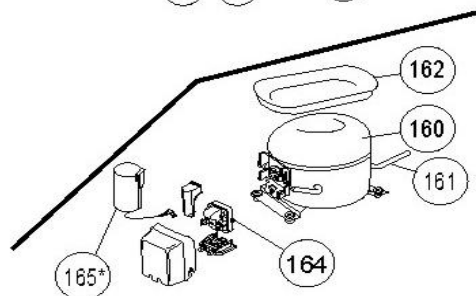


*If applicable
 * Wenn anwendbar
 ** Alternative



*If applicable
 * Wenn anwendbar

**For A++ class



DE Ersatzteilliste-Explosionszeichnung

| Kode der Teil | Katalog Kode | Name |
|------------------|--------------|------------------------------|
| D060196-O | 93 | Montagepaneel (Abb.3) |
| D140117 | 127 | Klammer (Abb.3) |
| V420085 | 129 | Thermoregler (Abb.3) |
| KRTLY48KK3-Y3 | 164 | Anlaßrelais (Abb.3) |
| S229051 | 114 | Schalter (Abb.3) |
| D206103 | 95 | Achse (Abb.3) |
| D253123ASN01 | 94 | Regler (Abb.3) |
| M120254-00-1IH2 | 38 | Konsole (Abb.1) |
| M150472-01-Y1 | 68a | Platte (Abb.2) |
| M206104-00 | 37 | Achse (Abb.1) |
| 40081100.0359 | 37a | Scheibe (Abb.1) |
| V320261-10-L1F Q | 69 | Tür (Abb.2) |
| V372111-09 | 67 | Dichtung (Abb.2) |
| M150472-00-Y1 | 68b | Platte (Abb.2) |
| V355312-10-BI | 148 | Schrank (Abb.3) |
| V043041-00-J1 | 40 | Stütze (Abb.1) |
| D155327-H | 27 | Zwischenlage (Abb.1) |
| V043056-00 | 151 | Stütze (Abb.3) |
| M120267-00-5IH | 24a | Konsole (Abb.1) |
| M206106-00 | 17 | Achse (Abb.1) |
| M271006 | 17a | Klammer (Abb.1) |
| 40081100.0358 | 29 | Scheibe (Abb.1) |
| 40081050.0240 | 17b | Mutter M8 (Abb.1) |
| D270096-P | 97 | Stütze (Abb.3) |
| KKTLY48KK3-Y3 | 160 | Kompressor (Abb.3) |
| KS27007701 | 155 | Verflüssiger (Abb.3) |
| M120226-00 | 145 | Konsole (Abb.3) |
| M120252-00-4 | 146 | Konsole (Abb.3) |
| V060266-H1-OL | 90 | Dekorative Paneel (Abb.3) |
| M175048-00 | 161 | Technologische Rohre (Abb.3) |
| D155325 | 39 | Zwischenlage (Abb.1) |
| M175136-01 | 159 | Technologische Rohre (Abb.3) |
| D194019-01 | 38a | Spund (Abb.1) |
| D212195-0 | 59 | Buchse (Abb.3) |
| M253141 | 78a | Griff (Abb.2) |
| D269088-H | 71 | Einlage (Abb.2) |
| D270080-H | 100 | Stütze (Abb.3) |
| D315214-H | 35 | Deckel (Abb.1) |
| 40081150.0350 | 80a | Schraube 3,9x13 (Abb.2) |
| D315215-H | 41 | Deckel (Abb.1) |
| D315221-00-H | 57 | Deckel (Abb.2) |
| D315221-01-H | 70 | Deckel (Abb.2) |
| D315261-H | 22 | Deckel (Abb.1) |
| D315238-A | 91 | Deckel (Abb.3) |
| V054151-L2 | 3 | Glässregal (Abb.1) |
| D315266-H | 23 | Untere deckel (Abb.1) |
| D145028-00 | 154 | Klemme (Abb.3) |
| D404026-00 | 53 | Leuchtarkörper (Abb.1) |
| D710019-H | 140 | Scheibe (Abb.1) |
| D578002 | 34 | Reiniger (Abb.1) |
| V054152-L2 | 2 | Glässregal (Abb.1) |
| M950023-01-Y1 | 51 | Scheibe (Abb.1) |
| 40081150.0510 | 54a | Schraube 4x12 (Abb.1) |
| V433005 | 166 | Trocknenfilter (Abb.3) |
| S571055 | 54 | LED Montageplate (Abb.1) |
| V519185-18-01 | 149 | Elektrodraht (Abb.3) |
| V503063-01 | 150 | Netzdraht (Abb.3) |
| D270053-00 | 39a | Stütze (Abb.1) |
| D357281 | 162 | Wanne (Abb.3) |
| 40010050.4300 | 165 | Arbeitskondensator (Abb.3) |