

Bedienungsanweisung

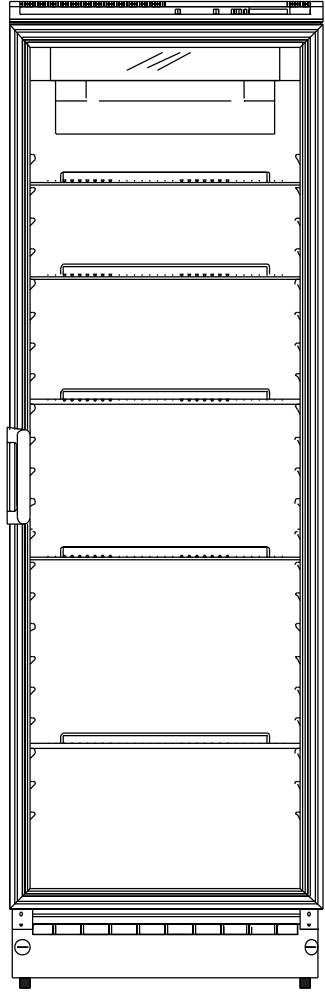
Gewerbetiefkühlschrank **TKU 407 G LED**

[Artikel-Nr.: 4771106861]



UPRIGHT FREEZER

OPERATING INSTRUCTIONS FOR UPRIGHT FREEZER WITH GLASS-DOOR MODEL: NFG 309



Please read these instructions carefully before placing the appliance into service. They are brief and contain only information which will help you to obtain the best performance from the appliance.

Take care of all accessories supplied with the appliance.

CONTENTS

1. Before starting the appliance.
2. How to use the appliance.
3. Maintenance.
4. Has the appliance stopped working?
5. Safety.
6. Technical data.
7. Installation.
8. Lighting fixture.

1. BEFORE STARTING THE APPLIANCE

Check that the cabinet is undamaged. Please report any damage **immediately** to your dealer. Wash the cabinet and inner lining with a mild unscented detergent and wipe it dry. Do not use abrasive scouring powder, steel wool or similar material. Connection to the electricity supply: See head 7 and 8.

2. HOW TO USE THE APPLIANCE

Operating panel. See fig. 5 page 5.

1. Thermostat knob.
2. Indicator for the connection to the electricity supply (green).
3. Switch for light.

The thermostat knob is adjustable from 0 (stop) to 7 (coldest). Find the position of the thermostat which gives you the desired temperature. Start at position 4.

Defrosting

The evaporator is automatically defrosted. The defrost water is led to a tray on top of the compressor where the water evaporates.

3. MAINTENANCE

Only use an unscented detergent when cleaning the cabinet inside.

Switch off the appliance and pull out the plug when cleaning the cabinet.

The skirting board can be removed to facilitate a vacuum-cleaning of the floor. See fig. 1 page 5. Remember to clean the evaporating tray.

4. HAS THE APPLIANCE STOPPED WORKING?

Before calling a repairman, check that

- The plug is properly plugged into the wall socket.
 - The fuse is intact.
 - The power has not been cut off.
 - All controls are correctly set.
 - Do not open the cabinet when unnecessary.
-

5. SAFETY

Do not store explosive substances in the cabinet, such as gas, cigarette lighters, petrol, ether or similar. Scrapped cabinets may become dangerous to children at play. Therefore, remove the door or place the scrapped cabinet in such a way that children cannot enter it.
Never store liquids with carbon dioxide in the freezing section.

6. TECHNICAL DATA

This appliance meets the provisions of the following directives: 89/336/EEC (electromagnetic compatibility), 73/23/EEC (electrical equipment designed for use within certain voltage limits) as amended.
The rating plate which is placed inside the appliance contains technical information including model and serial numbers.

7. LIGHTING FIXTURE

See the drawing on page 7.

1. Pull the screen to the left.
2. Pull down the right side of the screen and take it out.
 - Remove the strip - possibly with text - by pulling it out of the tracks along the whole length of the profile.
 - The fluorescent tube can now be replaced.

The mounting is performed in reverse order. The glow switch can now be replaced without removing the screen.

8. INSTALLATION

Install the cabinet in a dry place and so that it is not exposed to direct sunlight or any other source of heat.

Place the cabinet in a level position. This is easily achieved by adjusting the adjustable feet at the front edge of the base. The cabinet must not rest against a wall on its hinged side. When placing the cabinet on a carpet or on a wooden floor you should adjust it once more after some time as the cabinet might settle in soft foundations.

If you want to build the appliance into a cupboard you must consider 2 factors:

1. There must be a sufficient space above, behind and beside the appliance. See fig. (2a), (2b) and (2c) page 6.
2. There must be a sufficient space between the appliance and the wall and the like at the hinge side. Fig. (2d) page 6.

It is safest to place the earthed wall socket above the appliance and at least 2.0 m above the floor. Any local installation rules for appliances of this kind must be observed.

During a storm the electricity supply might be cut off.

You should be aware of this when installing the appliance in weekend cottages or elsewhere where you would not immediately observe that the power has been cut off. Construction and details in the accessories are subject to alteration without previous notice.

NOTE

The installation of this upright must be carried out in consultation with an electrician. You must not use extension leads or connect more appliances to the same electricity supply bank. The power consumption is 20 amperes at the start. The mains impedance must not exceed 1 volt/ampere and the voltage must not be less than 200 volts at the starting moment.

It must be ensured that the heat from the compressor and the condenser can be given off behind the upright. The minimum distance to the wall is 30 mm.

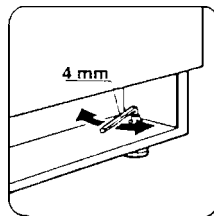
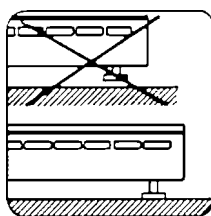
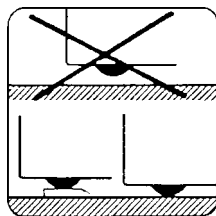
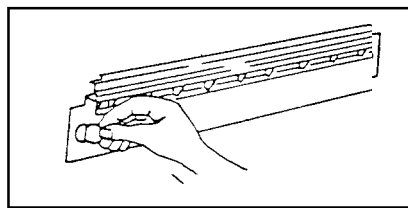
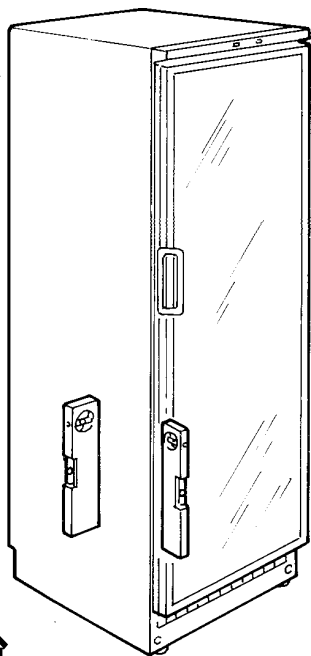


Fig. 1

Mounting of lock
for one-door uprights

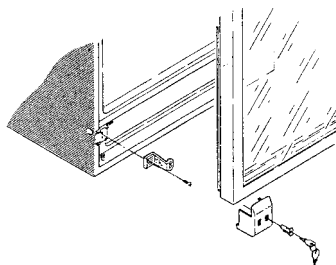


Fig. 4

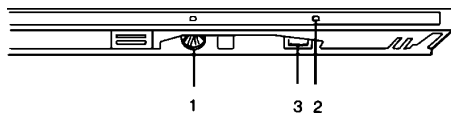


Fig. 5

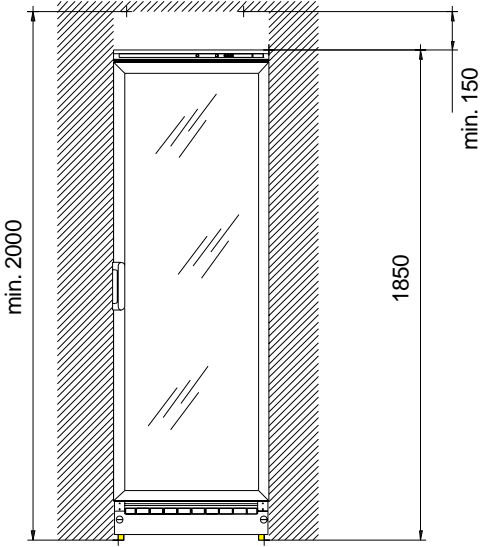


Fig. 2a

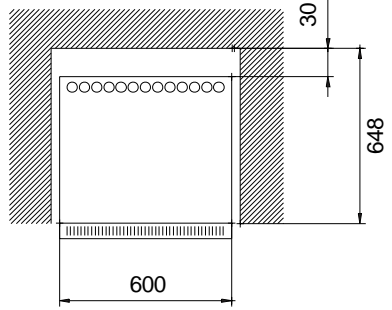


Fig. 2b

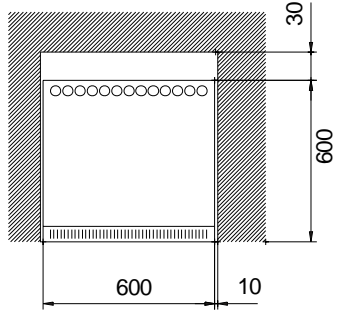


Fig. 2c

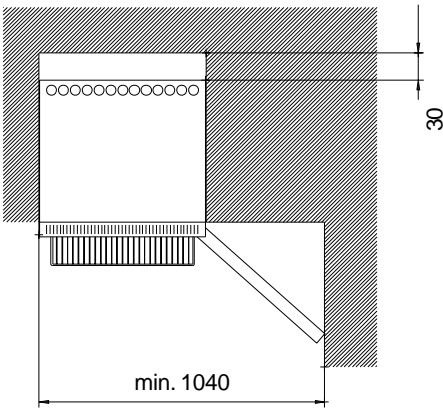


Fig. 2d

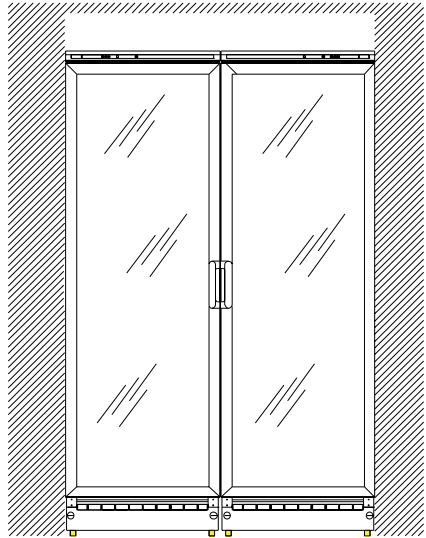
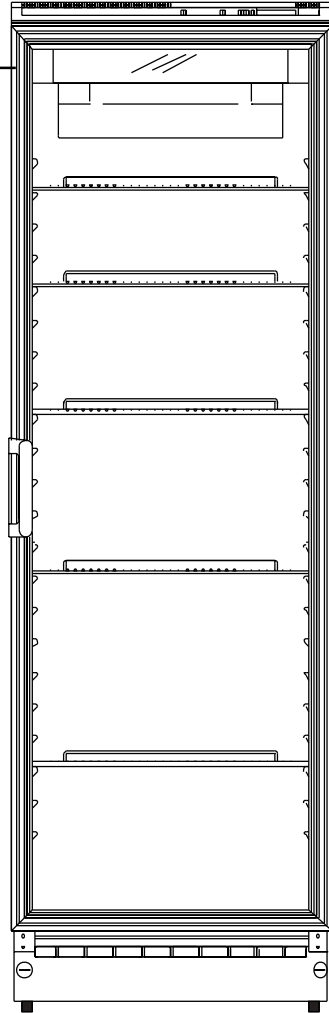
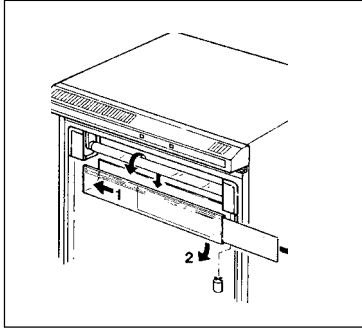


Fig. 2e





www.nordcap.de

Finanzen / Service

28307 Bremen

Thalenhorststraße 15
Tel.+49 421 48557-0
Fax+49 421 488650
bremen@nordcap.de

Vertrieb Ost

12681 Berlin

Wolfener Straße 32/34, Haus K
Tel.+49 30936684-0
Fax+49 30936684-44
berlin@nordcap.de

Vertrieb West

40699 Erkrath

Max-Planck-Straße 30
Tel.+49 211 540054-0
Fax+49 211 540054-54
erkrath@nordcap.de

Vertrieb Nord

21079 Hamburg

Großmoorbogen 5
Tel.+49 40 766183-0
Fax+49 40 770799
hamburg@nordcap.de

Vertrieb Süd

55218 Ingelheim

Hermann-Bopp-Straße 4
Tel.+49 6132 7101-0
Fax+49 6132 7101-20
ingelheim@nordcap.de