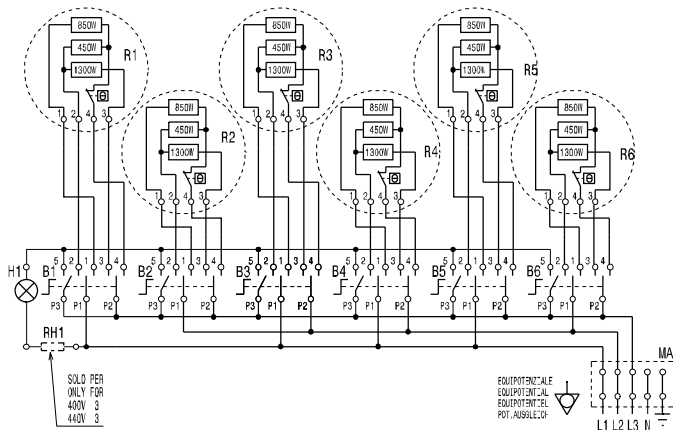


# Schaltplan

## Elektroherd **EH7 / 6RPT**

[Artikel-Nr.: 406372019]

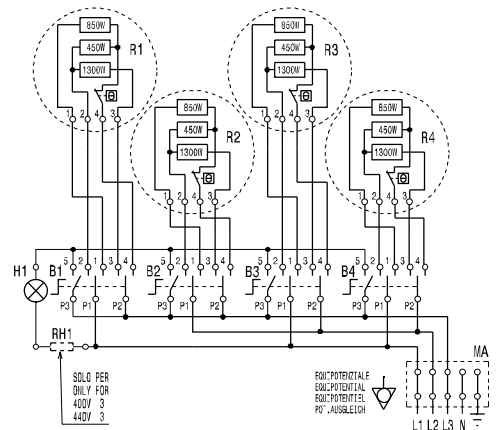




400V - 3/3N 50/60Hz  
15.6KW 22.5A

230V - 3 50/60Hz  
15.6KW 40A

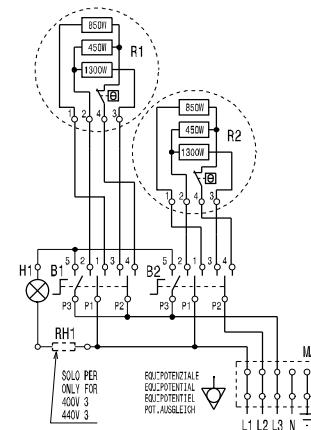
440V - 3 50/60Hz  
15.6KW 20.5A



400V - 3/3N 50/60Hz  
10.4KW 17.5A

230V - 3 50/60Hz  
10.4KW 30A

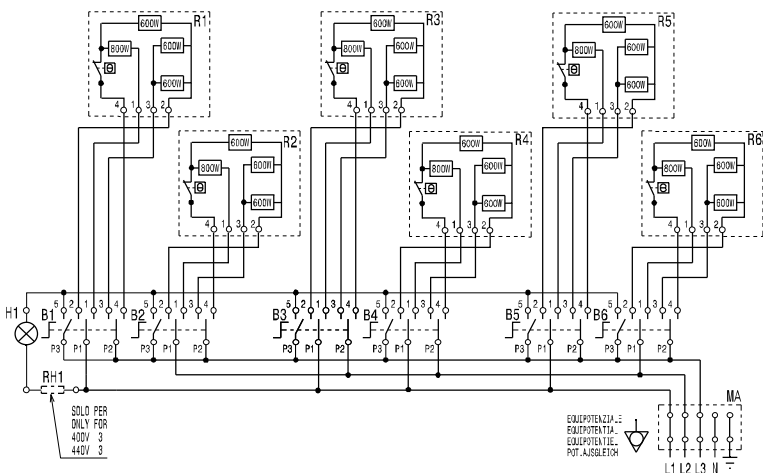
440V - 3 50/60Hz  
10.4KW 16A



400V - 3/3N 50/60Hz  
5.2KW 11.5A

230V - 3 50/60Hz  
5.2KW 20A

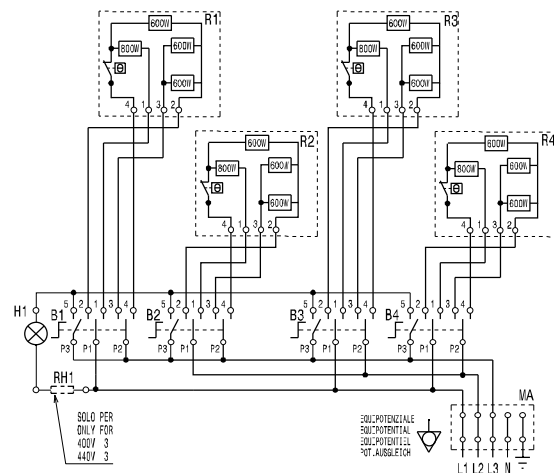
440V - 3 50/60Hz  
5.2KW 10.5A



400V - 3/3N 50/60Hz  
15.6KW 22.5A

230V - 3 50/60Hz  
15.6KW 40A

440V - 3 50/60Hz  
15.6KW 20.5A



400V - 3/3N 50/60Hz  
10.4KW 17.5A

230V - 3 50/60Hz  
10.4KW 30A

440V - 3 50/60Hz  
10.4KW 16A

B1-6

| POSITION | 5 | 2 | 1 | 3 | 4 | POWER (W) |
|----------|---|---|---|---|---|-----------|
| 0        |   |   |   |   |   | 0         |
| 6        | ● | ● | ● | ● | ● | 2600      |
| 5        | ● | ● | ● | ● | ● | 1800      |
| 4        | ● | ● | ● | ● | ● | 1200      |
| 3        | ● | ● | ● | ● | ● | 600       |
| 2        | ● | ● | ● | ● | ● | 400       |
| 1        | ● | ● | ● | ● | ● | 265       |

|       |                              |                         |
|-------|------------------------------|-------------------------|
| RH1   | RESISTENZA LAMPADA           | RESISTANCE FOR LAMP     |
| R1-R6 | PIASTRE RISCALDANTI          | HOTPLATES               |
| H1    | LAMPADA                      | LAMP                    |
| B1-B6 | COMMUTATORE PIASTRE          | HOTPLATES ROTARY SWITCH |
| MA    | MORSETTIERA DI ALLACCIAMENTO | MAIN TERMINAL BOARD     |



**Finanzen/Service**

**28307 Bremen**  
Thalenhorststraße 15  
Tel.+49 421 48557-0  
Fax+49 421 488650  
bremen@nordcap.de

**Vertrieb Ost**

**12681 Berlin**  
Wolfener Straße 32/34, Haus K  
Tel.+49 30936684-0  
Fax+49 30936684-44  
berlin@nordcap.de

**Vertrieb West**

**40699 Erkrath**  
Max-Planck-Straße 30  
Tel.+49 211 540054-0  
Fax+49 211 540054-54  
erkrath@nordcap.de

**Vertrieb Nord**

**21079 Hamburg**  
Großmoorbogen 5  
Tel.+49 40 766183-0  
Fax+49 40 770799  
hamburg@nordcap.de

**Vertrieb Süd**

**55218 Ingelheim**  
Hermann-Bopp-Straße 4  
Tel.+49 6132 7101-0  
Fax+49 6132 7101-20  
ingelheim@nordcap.de



[www.nordcap.de](http://www.nordcap.de)