

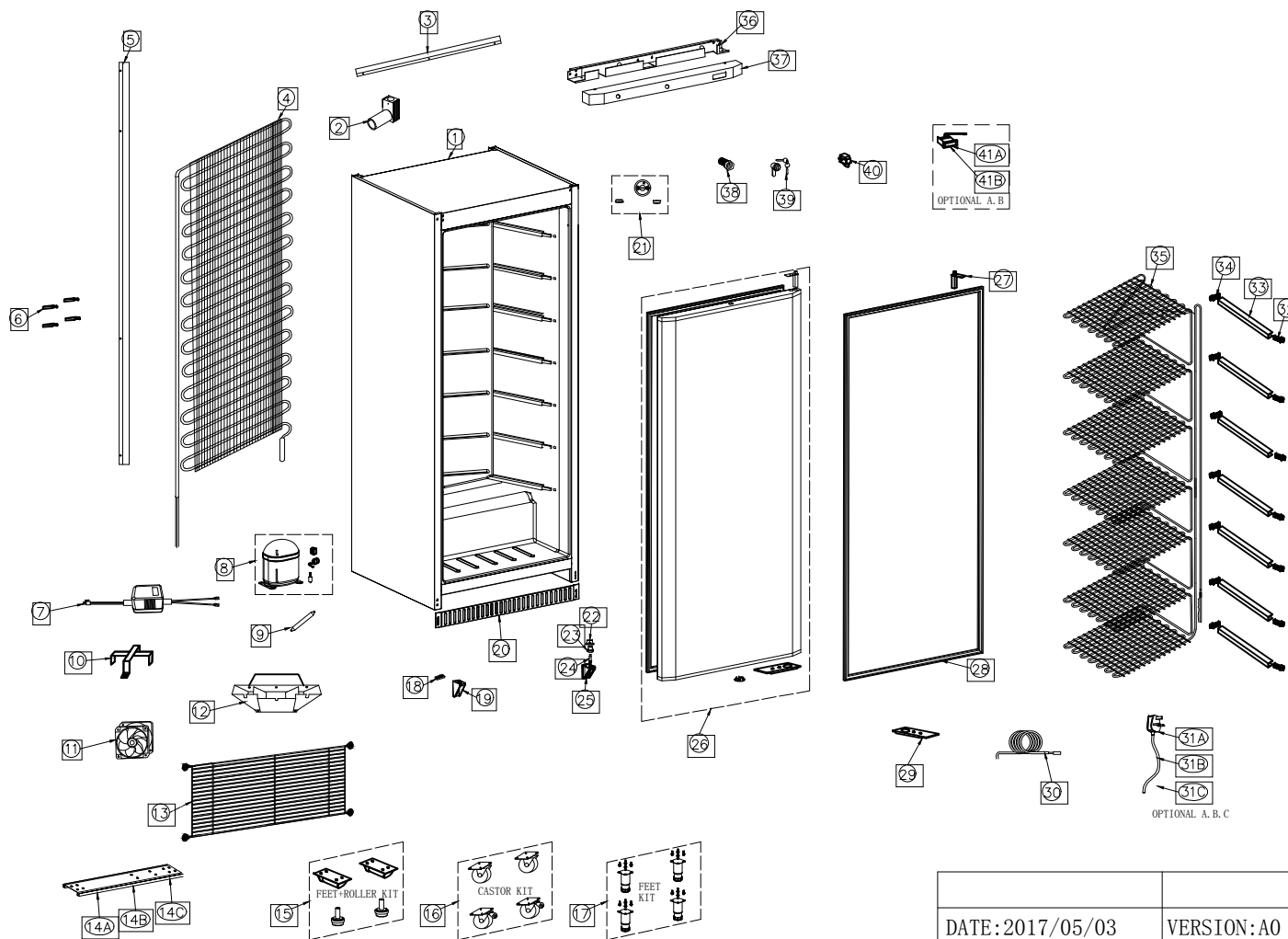
Spare-Parts List and Exploded View

(Ersatzteilliste-Explosionszeichnung)

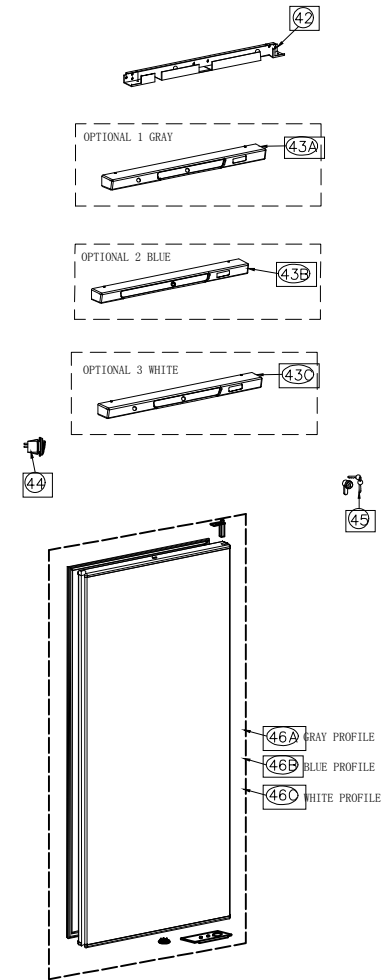
COOL-LINE-Tiefkühl-Lagerschrank **RNX 400 GL**

[Art. 451400800]





ALTERNATIVE DESIGN



DATE:2017/05/03	VERSION:A0	DESCRIPTION		DESIGN BY:	
		SCALE	MODEL	Q. TY	REMARKS:
		1:1			
MATERIAL:S4		EXPLODED VIEW			
DESIGN BY:Jessie					
APPROVED BY:Alberto		CATEGORY	TYPE	GROUP	PART N°
DATE:2017/05/03		EV	1AR4	A0	1200

Item Description **RNX 400 GL**

BOM Number 1
 Build Quantity 1
 Fixed Cost 0

Remark

Unit pc

BOM Components

Lev. 0	Item Number	Descr	Quantity	u.m.	Spare Part
	EV1AR4A01200	CN/CNX 4 - EXPLODED VIEW DRAW.(Ver.A0 - S12)	1	pc	1
1	S51AR50A0001	CNX 4 - STAINLESS STEEL FOAMED ASSEMBLY BODY (S/S Color-S12)	1	pc	1
2	A01AR40A0002	CN/CNX 4 - PRESSURE BALANCE VALVE - (S12)	1	pc	1
3	P01AE00A0002	RC 400-HORIZONTAL WIRE COVER	1	pc	1
4	I01AR08A0001	CR/CRX/CN/CNX 4 - WIRE CONDENSER - (S12)	1	pc	1
5	P01AE00A0003	RC 400-LONG VERTICAL WIRE COVER	1	pc	1
6	P01AQ28A0002	CR/CN 2-4-6 Series - REAR CONDENSER SPACER - (S12)	4	pc	1
7	E26B20120031	AC/DC ADAPTER MOD.HYD-1200300EU - (Male Connector)	1	pc	1
8	E27B2H2C0000	NUT60CA - COMP.CUBIGEL R290-220-240V 50Hz-1/4 HP RSCR:	1	pc	1
9	C01AE66A0001	400-600 ABS Ser./CR Salad./CR-CN 7/14 Ser-DRIER FILTER (S12)	1	pc	1
10	Z01AF03A0003	RN/RNX 600B - BBC 286 - TRANSFORMER HOLDER (For item in R290)	1	pc	1
11	E17I1A027000	RDM1225B:12Vdc,0,23A, 2,76W - Wire Length 300mm	1	pc	1
12	P01AR63A0002	CR/CN 6 - CR/CN4 - ABS CONDENSER FAN CONVEYOUR (Gray - S12)	1	pc	1
13	I01AR09A0003	CR/CN 4 Series - REAR ENGINE ROOM GRID (Black Color-S12)	1	pc	1
14A	Z01AR43A0001	CN 4/CNX 4 - ENGINE PLATE (For Roller and Feet kit)-S12	1	pc	1
14B	Z01AR43A0002	CN 4/CNX 4 - ENGINE PLATE (For Castor kit)-S12	1	pc	1
14C	Z01AR43A0003	CN 4/CNX 4 - ENGINE PLATE (For S/S Feet Kit)-S12	1	pc	1
15	KITFT1AE6A00	RC/RN 600-CR/CRX 4-FEET andROLLERS KIT(N.2 FOOT+N.2 ROLLERS)	1	pc	1
16	KITCS1AE6A00	RC 400 / RC 600 - N.4 CASTOR KIT (N.2 NORMAL+N.2 WITH BRAKE)	1	pc	1
17	KITFT1AE6B00	RC/RN 400/600 - S/S FEET KIT FOR ABS CABINET (N.4 PCS)	1	pc	1
18	N01AE62A0007	RC 400/600-RN 400/600 - DOOR PULLEY ON LEFT BOTTOM HINGE	1	pc	1
19	A01AE62A0003	RC 400/600-RN 400/600 - BOTTOM LEFT HINGE (Aluminium Color)	1	pc	1
20	S41AE00A0008	RC 400/RN 400-BOTTOM FRONT PANEL (Gray Color)	1	pc	1
21	P01AR40A0004	CN/CNX 4-PRESS.BALANCE VALVE HOLDER+UPPER/BOTTOM COVER-(S12)	1	pc	1
22	N01AE62A0009	RC/RN 400/600-CR/CN 7-14 - NYLON UP SLIP COVER (White-S12)	1	pc	1
23	Z01AE62A0012	RC/RN 400/600-CR/CN 7-14 - DOWN TURN AXIS - (S12)	1	pc	1
24	Z01AE62A0005	RC/RN 400/600-CR/CN 7-14-PIVOT BOTTOM/UPPER RIGHT HINGE-(S12)	1	pc	1
25	A01AE62A0004	RC 400/600-RN 400/600 - BOTTOM RIGHT HINGE(Aluminium Color)	1	pc	1
26	S51AR22A0001	CRX/CNX 4 - DOOR(Gasket+Self Closing+Cap+Axis Reinforce)Gray	1	pc	1
27	Z01AE62A0006	RC/RN 400/600 - CR/CN 7-CR/CN 14-SELF CLOSING SPRING-(S12)	1	pc	1

28	R01AR02A0002	CR/CN 4-DOOR GASKET (N.3 room / WHITE Color - S12)	1	pc	1
29	Z01AE62A0010	RC/RN 400/600-CR/CN 7-14 - BOTTOM TURN AXIS REINFORC.-(S12)	1	pc	1
30	E21010300001	NTC PROBE - CABLE 3000 mm	1	pc	1
31A	E25EUG307525	POWER CORD 3x0.75 mmq - EU PLUG - GRAY COLOR 2,5 Mt.	1	pc	1
31B	E25EUK307525	POWER CORD 3x0,75 mmq - UK PLUG - BLACK COLOR 2.5 Mt	1	pc	1
31C	E25AUB307525	POWER CORD 3x0,75 mmq - AUSTRALIAN PLUG - BLACK COLOR 2,5 Mt	1	pc	1
32	P01AF07A0004	RN 600/RN 400 - LEFT SUPPORT FOR SHELVES EVAPORATOR	7	pc	1
33	A01AE47A0002	RN 400 - FRONTAL EVAPORATOR STRIPES	7	pc	1
34	P01AF07A0003	RN 600/RN 400 - RIGHT SUPPORT FOR SHELVES EVAPORATOR	7	pc	1
35	I01AR47A0001	CN/CNX 4 - SHELVES EVAPORATOR (White Color - 425x412mm)	1	pc	1
36	Z01AR01A0002	CR/CN 4 - UPPER SUPPORT FOR FRONT PANEL - (S12)	1	pc	1
37	P01AR01A0001	CR/CN 4-TOP PANEL GRAY Col.(HOLES: Main/Lock/Fan/Buzzer)-S12	1	pc	1
38	E2318BL00001	QN19-C MAIN SWITCH (3P)-BLUE Light-250V-5A/T55 1AE4 (D.19mm)	1	pc	1
39	Z01AQ22A0003	CR/CRG/CN 2-4-6 - DOOR LOCK + KEYS (Inc.RED Keys DL00017174)	1	pc	1
40	E2309WH00001	HF-D02-1A-1 DOOR SWITCH (2P) 250VAC-4A; CONTACT NC	1	pc	1
41A	E20A111C3D00	XR02CX-5R1C1 DIXELL BLULINE THERM.-LIDCGXB5AB (RWD)	1	pc	1
41B	E20A121C5E00	EV3B21N7VXRB01 EVCO THERMOSTAT (RWE) CHILLER	1	pc	1
42	Z01AE01A0005	RC 400/RN 400-UPPER SUPPORT FOR WHITE TOP (1 DOOR SWITCH)	1	pc	1
43A	P01AE01A0002	RC/RN 400-TOP PANEL GREY COLOR(CHI DESIGN:DOOR SW+BUZZER)	1	pc	1
43B	P01AE01A0003	RC 400-TOP PANEL BLUE COLOR(LEC DESIGN:No Main+1 DOOR SW)	1	pc	1
43C	P01AE01A0001	RC/RN 400-TOP PANEL WHITE COL(CHI DESIGN:1 DOOR SW+1 BUZZER)	1	pc	1
44	E2308GR00001	XCK-015-2-02 MAIN SWITCH (3P) 250VAC-6A;	1	pc	1
45	Z01AE61A0012	RC 400/600-RN 400/600-LOCK+N.2 KEY(Door alluminium prof.)	1	pc	1
46A	S51AE22A0001	RCX/RNX 400-DOOR(Gasket+Self Closing+Cap+Down Axis)GRAY/All.	1	pc	1
46B	S51AE22A0004	RCX/RNX 400-DOOR (Gasket+Self Closing+Cap+Down Axis)BLUE/All	1	pc	1
46C	S51AE22A0002	RCX/RNX 400-DOOR(Gasket+Self Closing+Cap+Down Axis)WHITE/All	1	pc	1