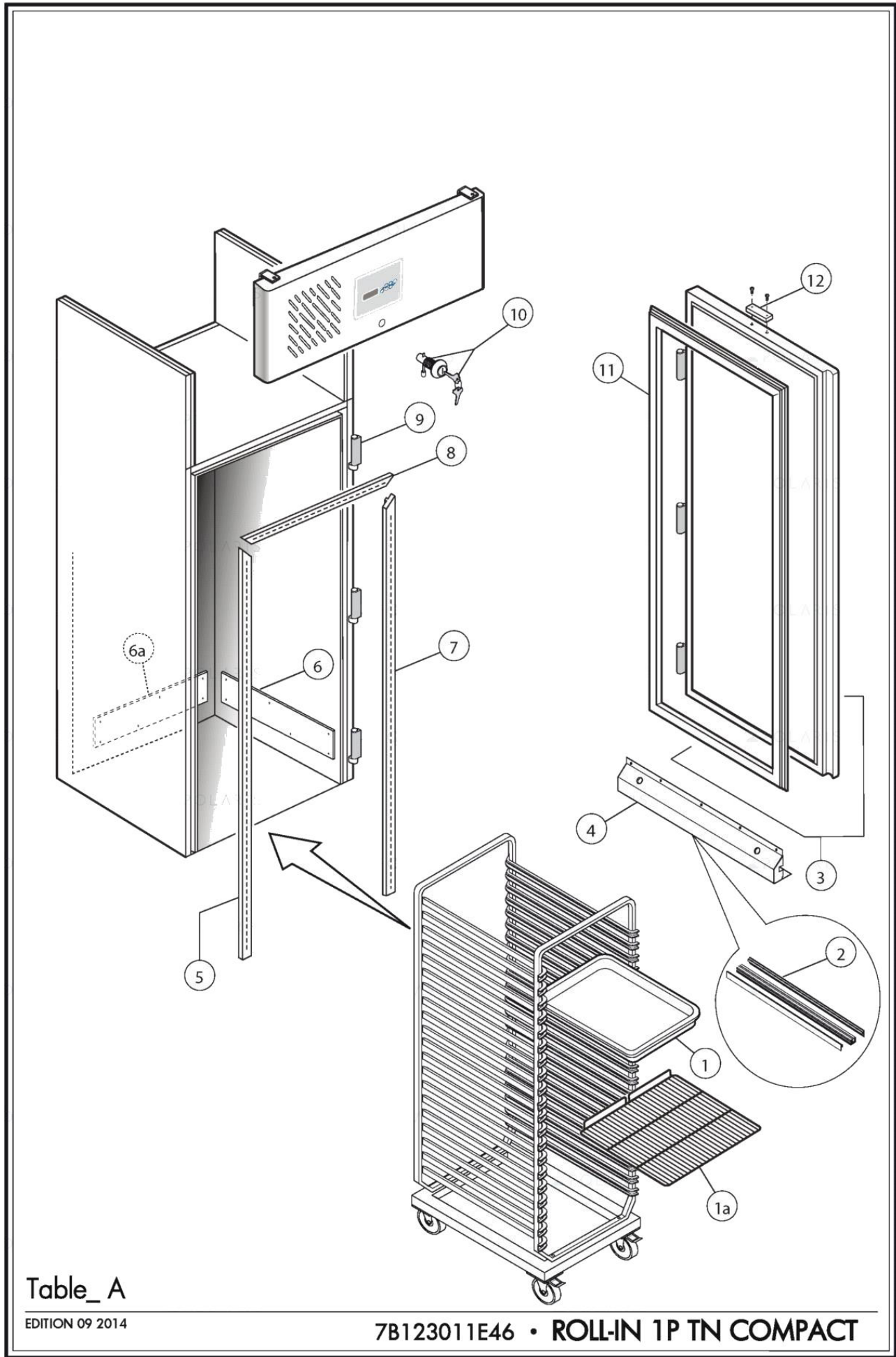


Ersatzteilliste-Explosionszeichnung

Einfahrkühlschrank **GEKM 800**

[Art. 4748110080]





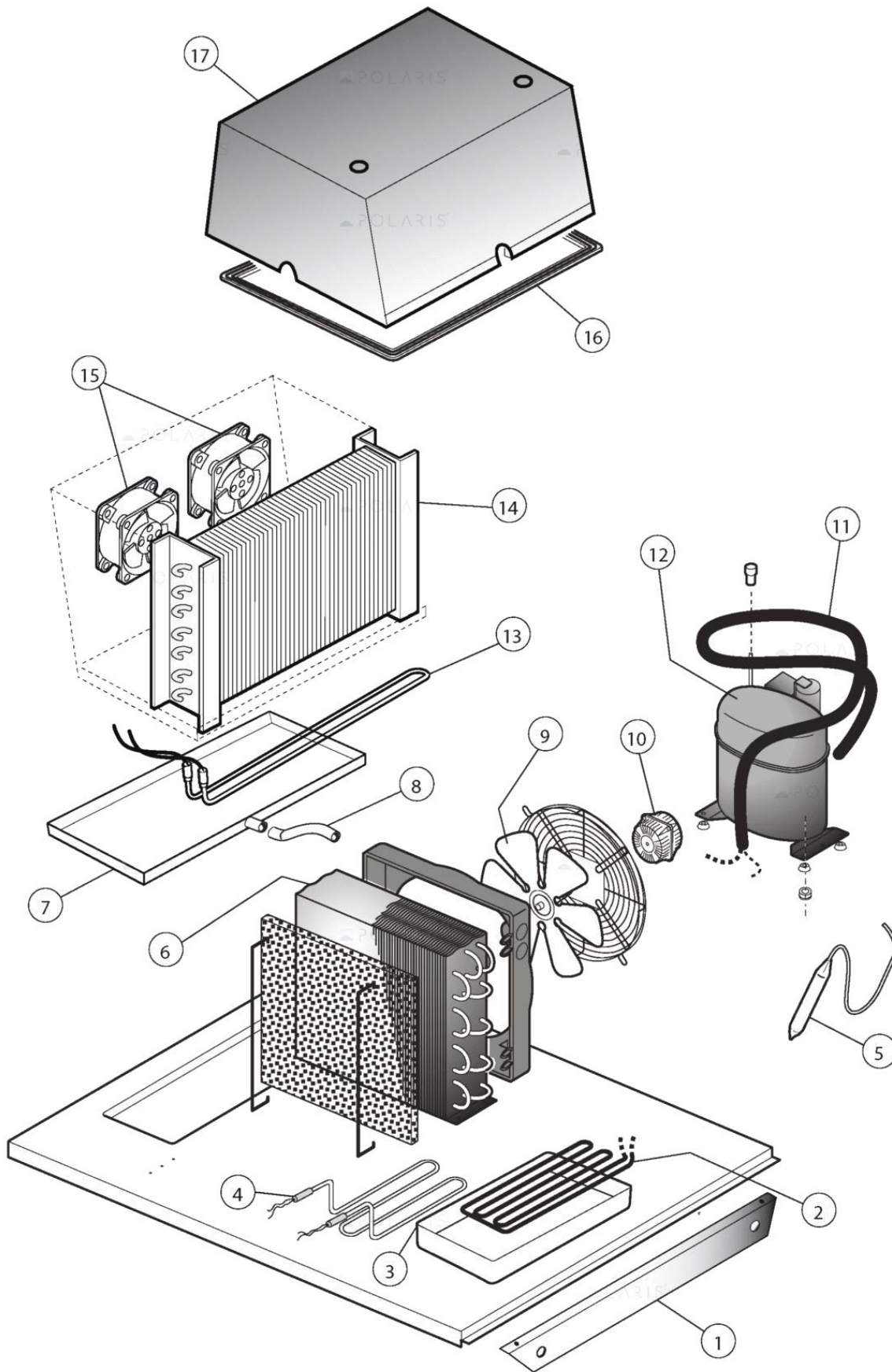
Table_A

EDITION 09 2014

7B123011E46 • ROLL-IN 1P TN COMPACT

| Pos | Art.- Nr. | Bezeichnung | Anmerkungen | Gültig ab: | Gültig bis: |
|------|-----------|--|-------------|------------|-------------|
| 0001 | FR6350120 | PLASTIKBEHÄLTNER [R] 325x530 | | | |
| 0002 | FR4602520 | DICHTUNG [R] TÄTTE RE ROLL-IN | | | |
| 0003 | FR6235460 | RECHTE PLATINTÄTTE R [R] ROLL-IN 760 | | | |
| 0004 | FR1227080 | SUPPORTO GOMMA PORTA ROLL IN 760 | | | |
| 0005 | FR4406230 | AB07 PROF.EST.BATT.GUA.L=1763SX MNSC 760 | | | |
| 0006 | FR4320410 | PARACOLPI LATER. DX-SX 640X160X10 | | | |
| 0007 | FR4406240 | AB07 PROF.EST.BATT.GUA.L=1763DX MNSC 760 | | | |
| 0008 | FR4406030 | ÄUSSERE RAHMENABDECKUNG [R] DICHTUNGBLATT SCHOCKKÄTTLER 081 | | | |
| 0009 | FR6411460 | RECHTE/LINKE SCHARNIER [R] | | | |
| 0010 | FR6440240 | SCHLOSS [R] | | | |
| 0011 | FR4501710 | DICHTUNG [R] TÄTTE ROLL-IN 760 649X1691 | | | |
| 0012 | FR4710910 | SUPP.MAGNETE/SERRATURA ROLL IN BERLINO | | | |

| Pos | Code | Description | Notes | From: | To: |
|------|-----------|--|-------|-------|-----|
| 0001 | FR6350120 | PLASTIC CONTAINER [R] 325x530 | | | |
| 0002 | FR4602520 | GASKET [R] DOORS ROLL-IN | | | |
| 0003 | FR6235460 | BOARD RIGHT DOOR [R] ROLL-IN 760 | | | |
| 0004 | FR1227080 | SUPPORTO GOMMA PORTA ROLL IN 760 | | | |
| 0005 | FR4406230 | AB07 PROF.EST.BATT.GUA.L=1763SX MNSC 760 | | | |
| 0006 | FR4320410 | PARACOLPI LATER. DX-SX 640X160X10 | | | |
| 0007 | FR4406240 | AB07 PROF.EST.BATT.GUA.L=1763DX MNSC 760 | | | |
| 0008 | FR4406030 | EXTERIOR FRAME COVER [R] GASKET SLAM BLAST CHILLER 081 L. 697 | | | |
| 0009 | FR6411460 | RIGHT/LEFT HINGE [R] | | | |
| 0010 | FR6440240 | LOCK [R] | | | |
| 0011 | FR4501710 | GASKET [R] DOOR ROLL-IN 760 649X1691 | | | |
| 0012 | FR4710910 | SUPP.MAGNETE/SERRATURA ROLL IN BERLINO | | | |



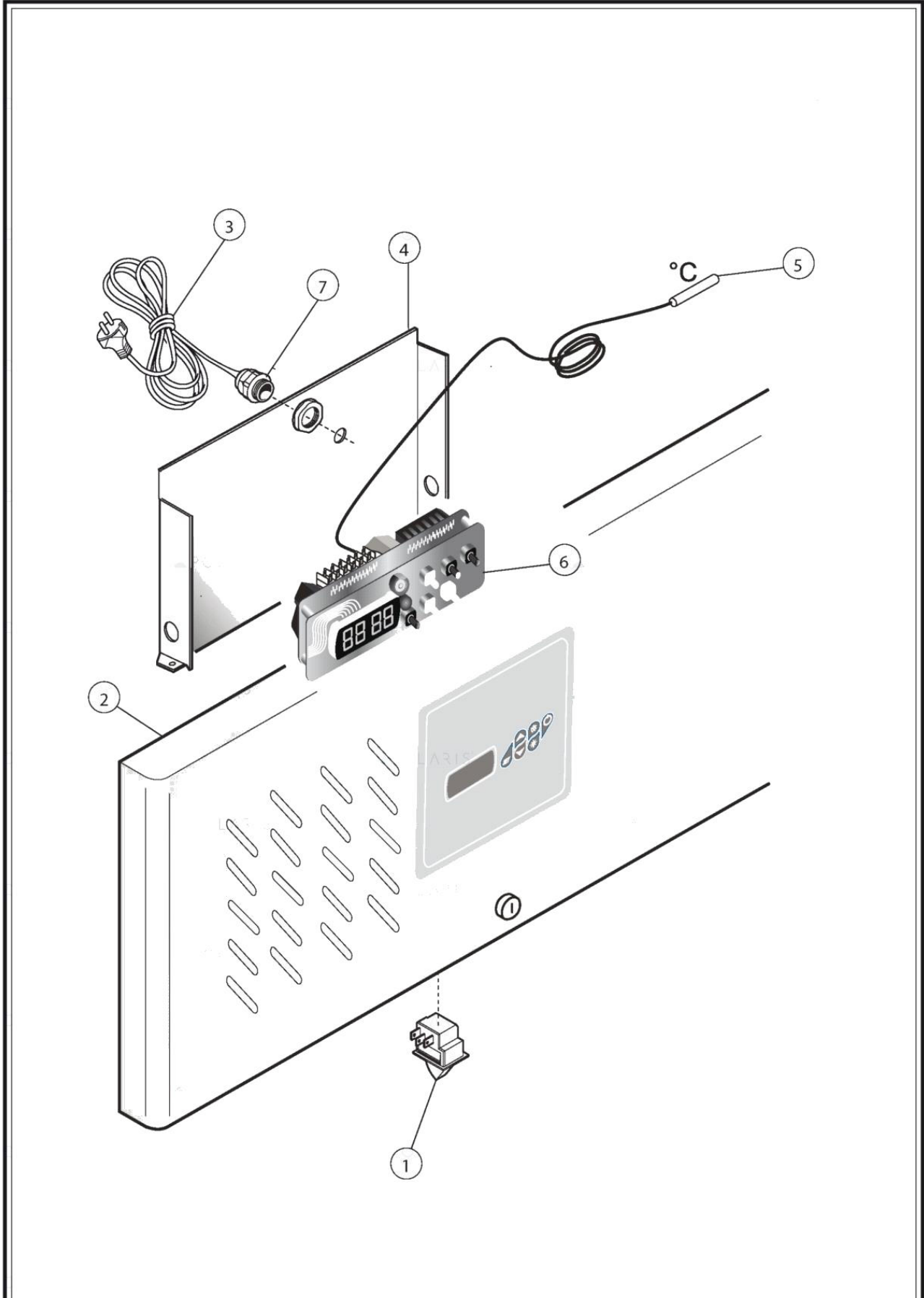
Table_B

EDITION 09 2014

7B123011E46 • ROLL-IN 1P TN COMPACT

| Pos | Art.- Nr. | Bezeichnung | Anmerkungen | Gültig ab: | Gültig bis: |
|------|---------------|---|-------------|------------|-------------|
| 0001 | FR1317430 | CONVOGLIATORE MANDATA ROLL IN MNSC 760MM | | | |
| 0002 | FR6524940 | ROHR [R] AR SILVER/AR EN | | | |
| 0003 | FR4740110 | ABLAUFWASSERWANNE [R] AR EN1-2 | | | |
| 0004 | FR6620431 | HEIZELEMENT [R] VERDAMPFER | | | |
| 0005 | FR6520192 | FILTERTROCKNER [R] 025GR | | | |
| 0006 | FR6522180 | KONDENSATOR STVF 139 | | | |
| 0007 | FR1189241 | WANNE [R] | | | |
| 0008 | FR4612410 | ROHR [R] AR EN | | | |
| 0009 | FR1530130 | LÄCFERRAD [R] | | | |
| 0010 | FR6671010 | MOTOR [R] 7W | | | |
| 0011 | BN1480077035 | WÄRMEAUSTAUSCHER [R] AR EN1-EN2 1.24X3000 | | | |
| 0012 | BN14156511091 | KOMPRESSOR [R] NEU6187Z 200-240V 50HZ 230V 60HZ | | | |
| 0013 | FR6621081 | ABTAUHEIZELEMENT [R] VERDAMPFER AR- SILVER/AN-EN K | | | |
| 0014 | FR6524980 | VERDAMPFER [R] AR/AF14 SILVER 3 REIHEN | | | |
| 0015 | LA65060050 | LÄCFER [R] D. 120 4715MS 23T | | | |
| 0016 | BN14410760 | DICHTUNG [R] HAUBE PR C1015 | | | |
| 0017 | FR6233750 | HAUBE [R] AR SILVER/AR EN | | | |

| Pos | Code | Description | Notes | From: | To: |
|------|---------------|---|-------|-------|-----|
| 0001 | FR1317430 | CONVOGLIATORE MANDATA ROLL IN MNSC 760MM | | | |
| 0002 | FR6524940 | PIPE [R] AR SILVER/AR EN | | | |
| 0003 | FR4740110 | WATER DRAIN TRAY [R] AR EN1-2 | | | |
| 0004 | FR6620431 | HEATING ELEMENT [R] EVAPORATOR | | | |
| 0005 | FR6520192 | FILTER [R] DRIER 025GR | | | |
| 0006 | FR6522180 | CONDENSER STVF139 | | | |
| 0007 | FR1189241 | TANK [R] | | | |
| 0008 | FR4612410 | PIPE [R] AR EN | | | |
| 0009 | FR1530130 | FAN [R] 230-26Â° | | | |
| 0010 | FR6671010 | MOTOR [R] 7W | | | |
| 0011 | BN1480077035 | EXCHANGER [R] AR EN1-EN2 1.24X3000 | | | |
| 0012 | BN14156511091 | COMPRESSOR [R] 200-240V 50HZ 230V 60HZ | | | |
| 0013 | FR6621081 | DEFROST HEATING ELEMENT [R] EVAPORATOR AR-SILVER/AN-EN K | | | |
| 0014 | FR6524980 | EVAPORATOR [R] AR/AF14 SILVER 3 ROWS | | | |
| 0015 | LA65060050 | FAN [R] D. 120 4715MS 23T | | | |
| 0016 | BN14410760 | GASKET [R] COVER PR C1015 | | | |
| 0017 | FR6233750 | COVER [R] AR SILVER/AR EN | | | |



Table_C

EDITION 09 2014

7B123011E46 • ROLL-IN 1P TN COMPACT

| Pos | Art.- Nr. | Bezeichnung | Anmerkungen | Gültig ab: | Gültig bis: |
|------|------------|--|-------------|------------|-------------|
| 0001 | BN164608 | MIKROSCHALTER | | | |
| 0002 | FR615B661 | ARMATURENBRETTGRUPPE [C] ROLL-IN MNSC 760 | | | |
| 0003 | BN16101561 | KABEL [R] L. 4000 | | | |
| 0004 | FR1749112 | COPERT.POST.CRUSC.UNIF.ROLL-IN 2013 | | | |
| 0005 | BN167211 | FUHLER NTC L 3000 | | | |
| 0006 | BN1681115 | THERMOSTAT EVCO SUT- EVC20S35N7ALX41 TOP | | | |
| 0007 | BN165930 | FERMACAVO NEUTRO ART. 5430 | | | |

| Pos | Code | Description | Notes | From: | To: |
|------|------------|-------------------------------------|-------|-------|-----|
| 0001 | BN164608 | MECHANICAL MICROSWITCH [R] | | | |
| 0002 | FR615B661 | CONTROL PANEL [R] ROLL-IN MNSC 760 | | | |
| 0003 | BN16101561 | CABLE [R] L. 4000 | | | |
| 0004 | FR1749112 | COPERT.POST.CRUSC.UNIF.ROLL-IN 2013 | | | |
| 0005 | BN167211 | NTC SENSOR L 3000 | | | |
| 0006 | BN1681115 | THERMOSTAT 4 RELAY | | | |
| 0007 | BN165930 | FERMACAVO NEUTRO ART. 5430 | | | |