

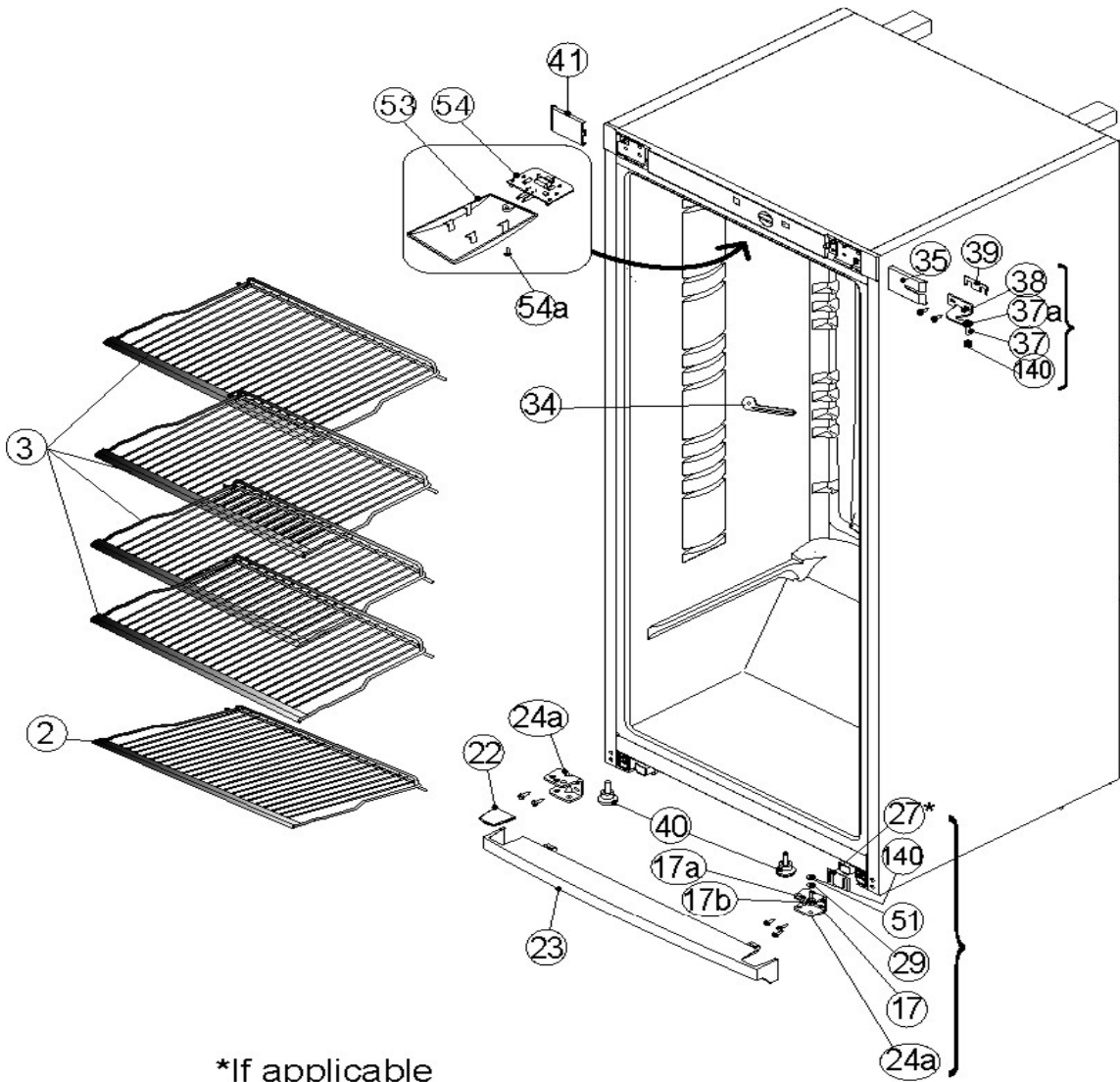
COOL-LINE-Kühlschrank

C 29 Green Line

Art. 4702902781

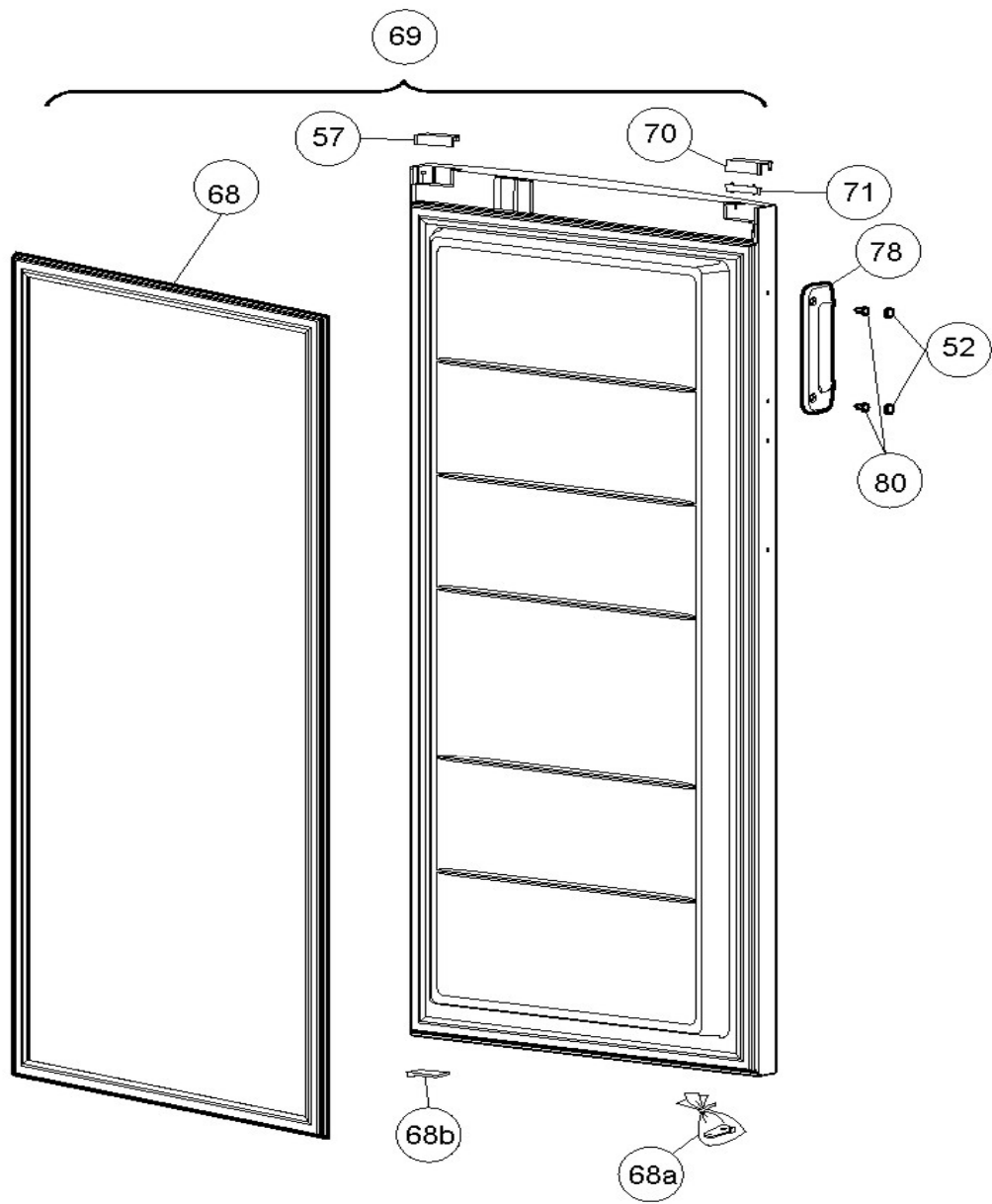
Ersatzteilliste-Explosionszeichnung

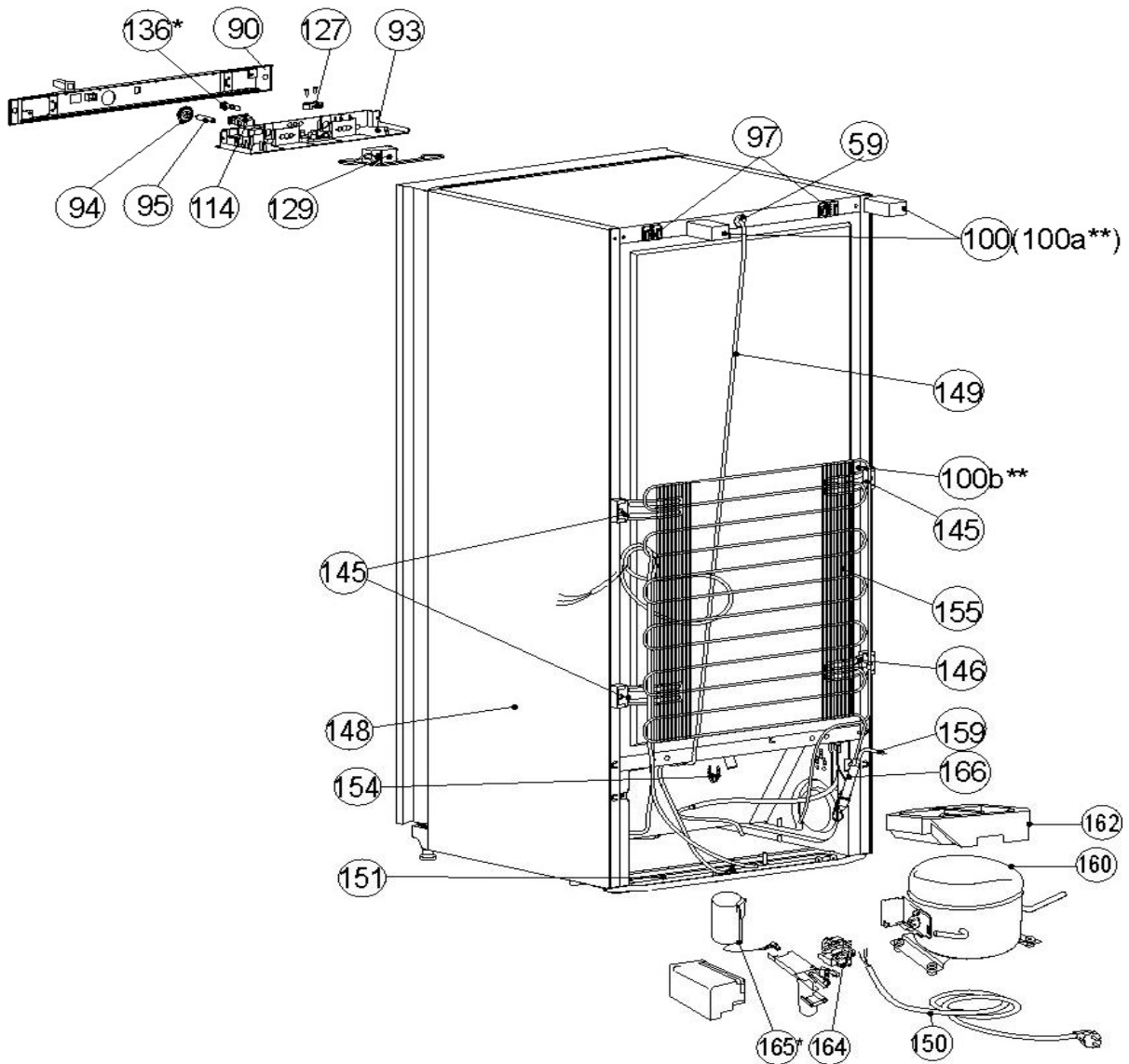
Catalogue of parts and units



*If applicable

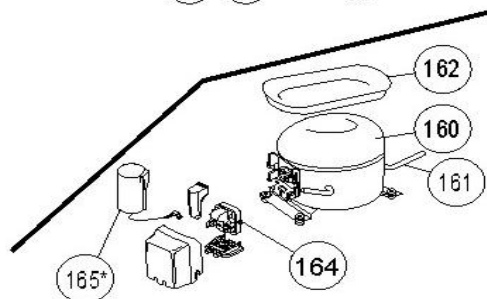
* Wenn anwendbar





*If applicable
 *Wenn anwendbar

**For A++ class



DE Ersatzteilliste-Explosionszeichnung

Kode der Teil	Katalog Kode	Name
V054151-L2	3	Glässregal (Abb.1)
D060196-O	93	Montagepaneel (Abb.3)
D140117-O1	127	Scheibe (Abb.1)
V420085	129	Thermoregler (Abb.3)
KRTLY48KK3-Y3	164	Anlaßrelais (Abb.3)
S229051	114	Schalter (Abb.3)
V519185-12	149	Elektrodraht (Abb.3)
V503063-01	150	Netzdraht (Abb.3)
D206103	95	Achse (Abb.3)
M120254-00-1IO1	38	Scheibe (Abb.1)
M150472-01-Y1	68a	Platte (Abb.2)
M206104-00	37	Achse (Abb.1)
40081100.0359	37a	Achse (Abb.1)
V320261-00-OO1 5 6	69	Tür (Abb.2)
V372111-08	68	Dichtung (Abb.2)
M150472-00-Y1	68b	Platte (Abb.2)
V355312-05-OO	148	Schrank (Abb.3)
V043041-00-J1	40	Stütze (Abb.1)
D155327-O	27	Zwischenlage (Abb.1)
V043056-00	151	Stütze (Abb.3)
M120267-00-5IO	24a	Konsole (Abb.1)
M271006	17a	Klammer (Abb.1)
M206106-00	17	Achse (Abb.1)
40081100.0358	29	Zwischenlage (Abb.1)
40081050.0240	17b	Mutter M8 (Abb.1)
D270096-O	97	Stütze (Abb.3)
KKTLY48KK3-Y3	160	Kompressor (Abb.3)
KS27007701	155	Verflüssiger (Abb.3)
M120252-00-4	146	Konsole (Abb.3)
V060266-O1-OL	90	Dekorative Paneel (Abb.3)
D145028-00	154	Klemme (Abb.3)
D155325	39	Zwischenlage (Abb.1)
M175136-01	159	Technologische Rohre (Abb.3)
D212195-0	59	Buchse (Abb.3)
D357320-00	162	Wanne (Abb.3)
D253123ASN01	94	Regler (Abb.3)
D253127-O	78	Griff (Abb.2)
D269088-O	71	Einlage (Abb.2)
D270080-O	100	Stütze (Abb.3)
D315173-O	52	Deckel (Abb.2)
V054152-L2	2	Glässregal (Abb.1)
D315214-00-O	35	Deckel (Abb.1)
D315215-O	41	Deckel (Abb.1)
D315221-00-O	57	Deckel (Abb.2)
D315221-01-O	70	Deckel (Abb.2)
D315261-O	22	Deckel (Abb.1)
D315266-O	23	Untere deckel (Abb.1)
D404026-00	53	Leuchtarkörper (Abb.1)
D710019-O	140	Scheibe (Abb.1)
D578002	34	Reiniger (Abb.1)
M950023-01-Y1	51	Scheibe (Abb.1)
40081150.0510	54a	Schraube 4x12 (Abb.1)
40081150.0320	80	Schraube M5x16 (Abb.2)
V433005	166	Trocknenfilter (Abb.3)
S571055	54	LED Montageplate (Abb.1)
M120252-00-4	145	Konsole (Abb.3)
40010050.4317	165	Arbeitskondensator (Abb.3)

EN Catalogue of parts and units

Part code	Catalog code	Name
V054151-L2	3	Glass shelf (Pic.1)
D060196-O	93	Mounting panel (Pic.3)
D140117-O1	127	Washer (Pic.1)
V420085	129	Thermostat (Pic.3)
KRTLY48KK3-Y3	164	Starting relay (Pic.3)
S229051	114	Light switch (Pic.3)
V519185-12	149	Wiring (Pic.3)
V503063-01	150	Supply cord (Pic.3)
D206103	95	Axle (Pic.3)
M120254-00-1IO1	38	Washer (Pic.1)
M150472-01-Y1	68a	Plate (Pic.2)
M206104-00	37	Axle (Pic.1)
40081100.0359	37a	Axle (Pic.1)
V320261-00-OO1 5 6	69	Door (Pic.2)
V372111-08	68	Gasket (Pic.2)
M150472-00-Y1	68b	Plate (Pic.2)
V355312-05-OO	148	Foamed cabinet (Pic.3)
V043041-00-J1	40	Support (Pic.1)
D155327-O	27	Spacer (Pic.1)
V043056-00	151	Support for compr. fixing (Pic.3)
M120267-00-5IO	24a	Bracket (Pic.1)
M271006	17a	Fixer (Pic.1)
M206106-00	17	Axle (Pic.1)
40081100.0358	29	Spacer (Pic.1)
40081050.0240	17b	Nut M8 (Pic.1)
D270096-O	97	Support (Pic.3)
KKTLY48KK3-Y3	160	Compressor (Pic.3)
KS27007701	155	Condenser (Pic.3)
M120252-00-4	146	Bracket (Pic.3)
V060266-O1-OL	90	Decorative panel (Pic.3)
D145028-00	154	Clamp (Pic.3)
D155325	39	Spacer (Pic.1)
M175136-01	159	Technological tube (Pic.3)
D212195-0	59	Bushing (Pic.3)
D357320-00	162	Tray (Pic.3)
D253123ASN01	94	Knob of thermostat (Pic.3)
D253127-O	78	Handle (Pic.2)
D269088-O	71	Insert (Pic.2)
D270080-O	100	Support (Pic.3)
D315173-O	52	Cover (Pic.2)
V054152-L2	2	Glass shelf (Pic.1)
D315214-00-O	35	Cover (Pic.1)
D315215-O	41	Cover (Pic.1)
D315221-00-O	57	Cover (Pic.2)
D315221-01-O	70	Cover (Pic.2)
D315261-O	22	Cover (Pic.1)
D315266-O	23	Bottom cover (Pic.1)
D404026-00	53	Cover of LED plate (Pic.1)
D710019-O	140	Washer (Pic.1)
D578002	34	Cleaning tool (Pic.1)
M950023-01-Y1	51	Washer (Pic.1)
40081150.0510	54a	Screw 4x12 (Pic.1)
40081150.0320	80	Screw M5x16 (Pic.2)
V433005	166	Filter-dryer (Pic.3)
S571055	54	LED mounting plate (Pic.1)
M120252-00-4	145	Bracket (Pic.3)
40010050.4317	165	Run capacitor (Pic.3)