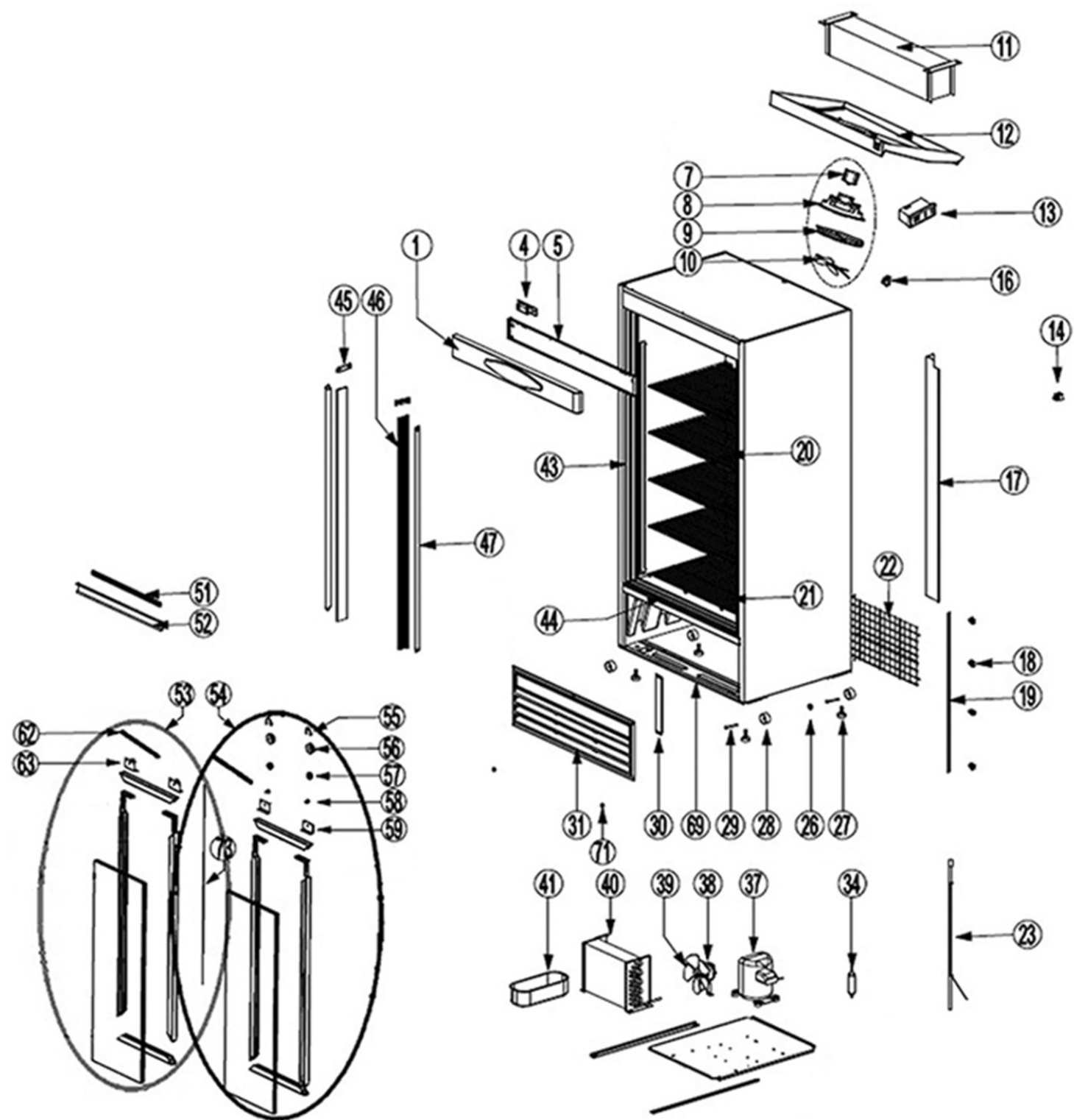


Ersatzteilliste-Explosionszeichnung

Gewerbekühlschrank **KU 1000 G-SD**

[Art. 435700119]





Position	ItemNo	Description
01	11298	Top Panel
02	15477	Socket For Starter
03	15484	Starter 4-65 W
04	15339	Ballast 36W
	15627	LED Power Supply
05	13837	Control Panel Sheet
07	13519	Fan Motor
08	13439	Evaporator Fan Frame
09	13556	Finger Guard
10	13483	Fan Blade 200 mm
11	14233	Evaporator
12	14372	Evaporator Cover
13	14065	Thermostat XR06CX 20A Relay Red Display
14	13896	Probe NTC Dixell/Carel 10 Kohm
16	13737	Light Switch
17	15378	Internal Tube Cover
18	14898	Clip For Shelf
20	15223	Wire Shelf For P. Strong
	33872	Wire Shelf For Price Holder Black
21	14863	Bottom Shelf
	33873	Bottom Shelf Black
22	11217	Rear Grill
23	14524	Heat Exchanger
26	14613	Nut For Roller
27	14570	Adjustable Screw Foot
28	14618	Roller
29	14610	Bolt For Roller
30	14037	Thermostat Plate
31	10860	Bottom Panel Hexagonal
	32414	Bottom Panel Round Holes
	33874	Bottom Panel FR
34	15721	Filter Drier 20 G
37	11774	Compressor NEU6214U R290
	11827	Compressor GPY16RAA R134
38	13529	Fan Motor Div. Use/Condenser
39	13488	Fan Blade 25 cm (Condenser)
40	14083	Condenser
41	11478	Drip Tray
43	10993	Frame Profile Side 2013
44	10991	Frame Profile Bottom
45	15344	Clip For Light Cover
46	15354	Cover For Vertical.FI.Tube
47	15369	Fluorescent Tube 36W
	15637	LED Strip 1200 mm
48	15372	Fluorescent Tube Holder
49	15471	Socket Fluorescent Tube Canopy
51	11890	Cover For Door Ramps
52	12128	Door Ramp
53	10715	Lock With Keys
	34434	Glass Door sliding w/lock Left 2021
54	34423	Glass Door sliding w/lock Right 2021
55	14611	Circlip For Rollers
56	12157	Door Roller
57	11874	Bearing For Sliding Doors
58	14620	Shaft For Roller
59	11958	Door Bracket For Rollers Right
62	12167	Door Spring
63	11957	Door Bracket For Rollers Left
71	11243	Cover For Screw
73	12163	Door Sealing

Finanzen/Service
28307 Bremen
Thalendorststraße 15
Tel.+49 421 48557-0
Fax+49 421 488650
bremen@nordcap.de

Vertrieb Ost
12681 Berlin
Wolfener Straße 32/34, Haus K
Tel.+49 30 936684-0
Fax+49 30 936684-44
berlin@nordcap.de

Vertrieb West
40699 Erkrath
Max-Planck-Straße 30
Tel.+49 211 540054-0
Fax+49 211 540054-54
erkrath@nordcap.de

Vertrieb Nord
21079 Hamburg
Großmoorbogen 5
Tel.+49 40 766183-0
Fax+49 40 770799
hamburg@nordcap.de

Vertrieb Süd
55218 Ingelheim
Hermann-Bopp-Straße 4
Tel.+49 6132 7101-0
Fax+49 6132 7101-20
ingelheim@nordcap.de



www.nordcap.de