

Ersatzteilliste-Explosionszeichnung Umluft-Gewerbetiefkühlschrank **TKU 702 Comfort**

[Art. 402729119]



Thermoregulator
Freezer - 1M -

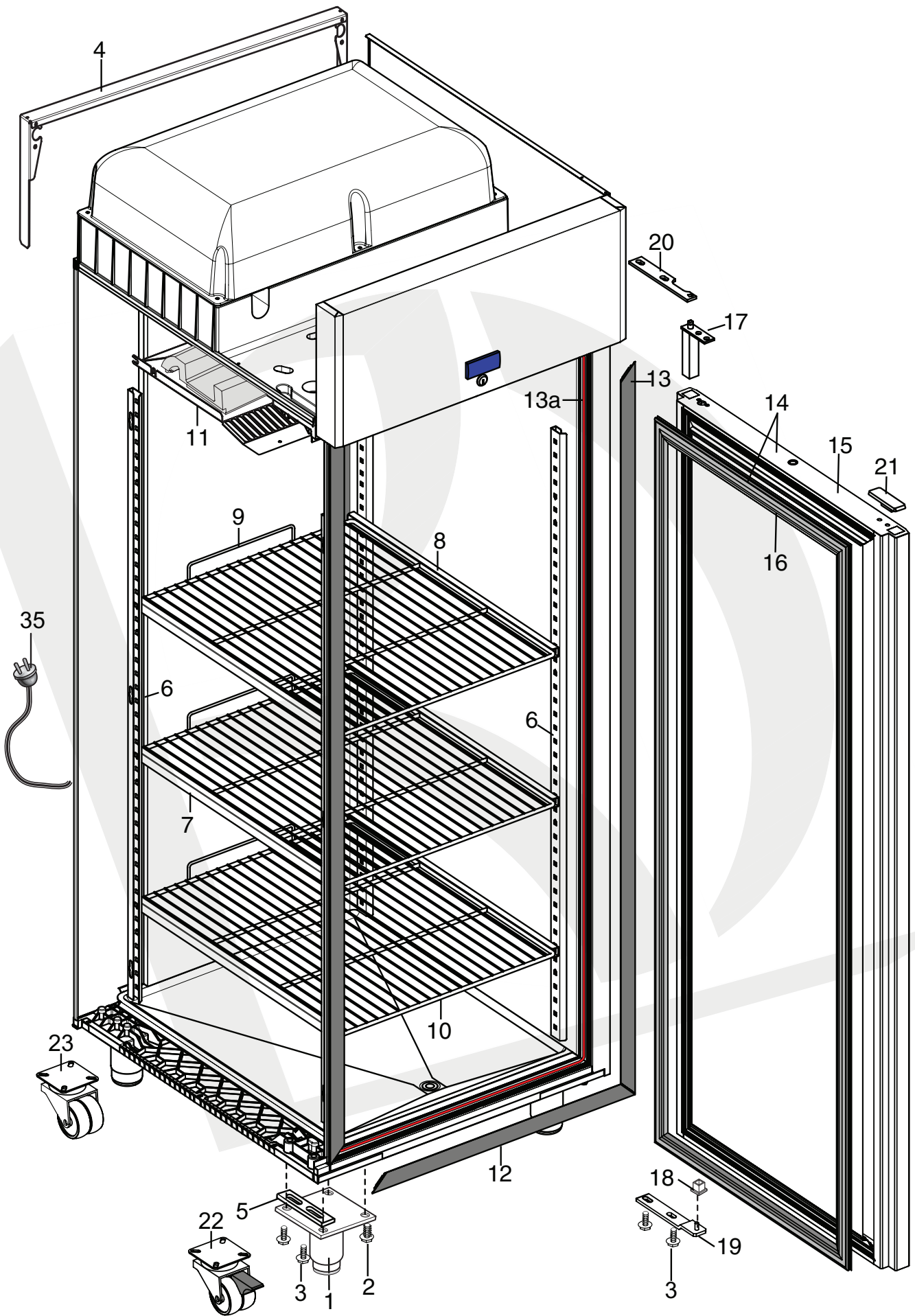
CABINETS MASS/GAB R 290

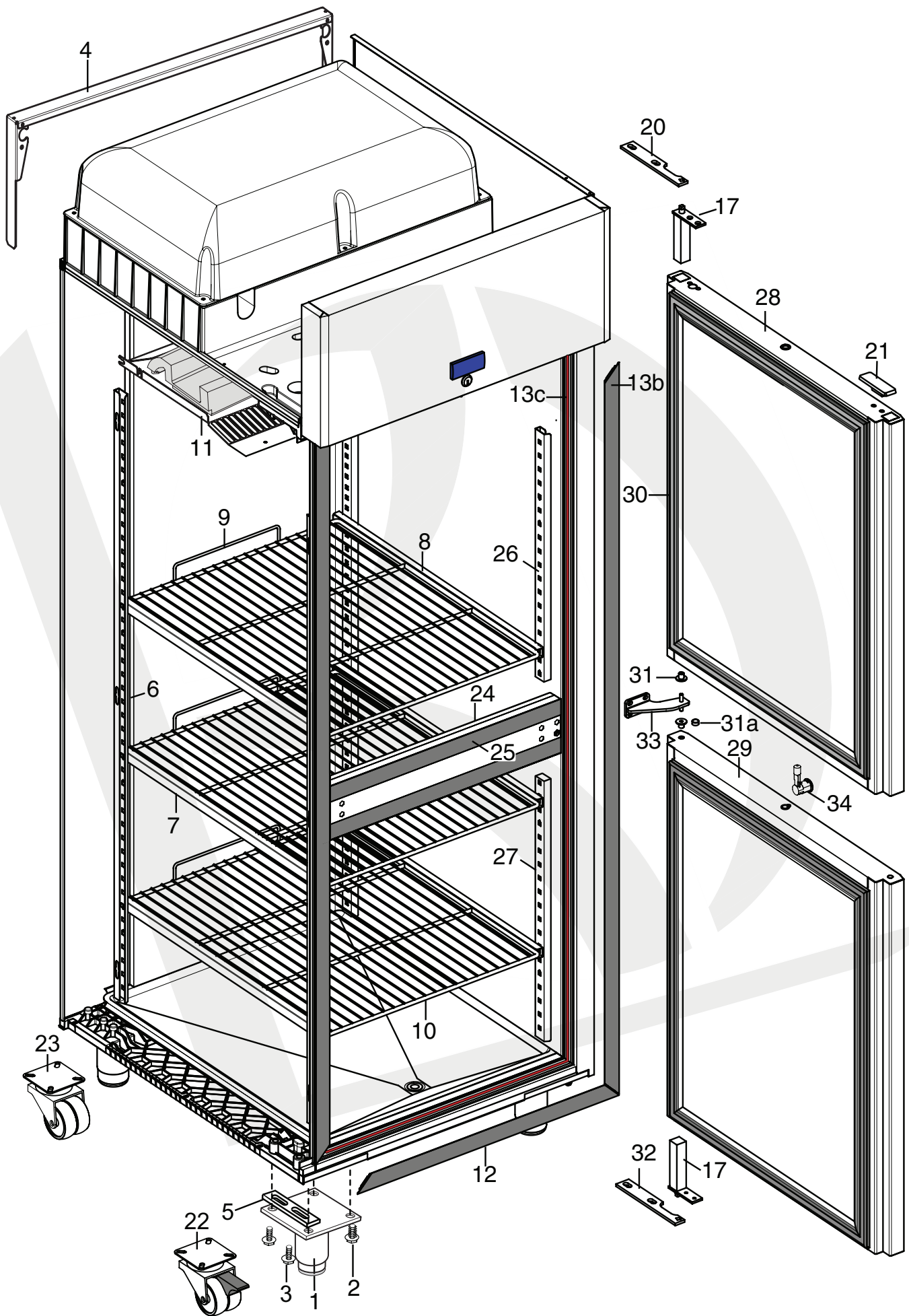
PNC	En.Ch.	Model	Brand	Ref.	Page
110357	00/00	1-DR FREEZER 670L -22°C,DIGITAL (R290)UK	ZANUSSI	g	2,4,5
110358	00/00	2x½-DR FREEZER 670L -22°,DIGIT.(R290)-UK	ZANUSSI	h	3,4,5
110369	00/00	1-DR FREEZER 670L -22°,DIGIT,S/S(R290)UK	ZANUSSI	i	2,4,5
110370	00/00	2x½-DR FREEZ.670L -22°C,DIG,S/S(R290) UK	ZANUSSI	l	3,4,5
110378	00/00	1DR FREEZ.670L -22-15°,DIG(R290)	ZANUSSI	m	2,4,5
110875	00/00	1-DOOR FREEZER 670L -15/-20°C,DIGITAL WITH LIGHT-R290	ZANUSSI	z	2,4,5
190700	00/00	1DR FREEZER 670L -22-15°,DIG(R290)	To brand	x	2,4,5
727396	00/10	FV 1M MASS R290 304/304 DIG. -15/-22°C UK	To brand	a	2,4,5
727397	00/11	FV 1M 2 1/2 PORTE MASS R290 304/304 DIG. -15/-22°C UK	To brand	c	3,4,5
727408	00/10	FV 1M GAB R290 304/304 DIG. -15/-22°C UK	To brand	b	2,4,5
727409	00/11	FV 1M 2 1/2 PORTE GAB R290 -15/-22°C TO BRAND UK	To brand	d	3,4,5
727465	20/20	FV 1M MASS R290 304/304 DIG. -15/-22°C HAKVOORT	To brand	e	2,4,5
727469	00/06	FV 1M 2 1/2 PORTE MASS R290 -15/-22°C MC DONALD IT	ELUX	f	3,4,5
727993	01/01	1-DOOR FREEZER 670L -15/-20°C,DIGITAL WITH LIGHT-R290	ELUX	z	2,4,5
728946	00/00	1DR FREEZ.670L -22-15°,DIG (R290)+WHEELS	ALPEN	y	2,4,5
729098	00/00	1-DR FREEZER 670L -22°C,DIGITAL (R290)UK	ALPEN	n	2,4,5
729099	00/00	2x½-DR FREEZER 670L -22°,DIGIT.(R290)-UK	ALPEN	o	3,4,5
729110	00/00	1-DR FREEZER 670L -22°,DIGIT,S/S(R290)UK	ALPEN	p	2,4,5
729111	00/00	2x½-DR FREEZ.670L -22°C,DIG,S/S(R290) UK	ALPEN	q	3,4,5
729119	00/00	1DR FREEZ.670L -22-15°,DIG(R290)	ALPEN	r	2,4,5
729317	00/00	1-DR FREEZER 670L -22°C,DIGITAL (R290)UK	To brand	s	2,4,5
729318	00/00	2x½-DR FREEZER 670L -22°,DIGIT.(R290)-UK	To brand	t	3,4,5
729327	00/00	1-DR FREEZER 670L -22°,DIGIT,S/S(R290)UK	To brand	u	2,4,5
729328	00/00	2x½-DR FREEZ.670L -22°C,DIG,S/S(R290) UK	To brand	v	3,4,5
729335	00/00	1DR FREEZ.670L -22-15°,DIG(R290)	To brand	w	2,4,5
729552	00/00	1-DOOR FREEZER 670L -15/-20°C,DIGITAL WITH LIGHT-R290	ALPEN	z	2,4,5

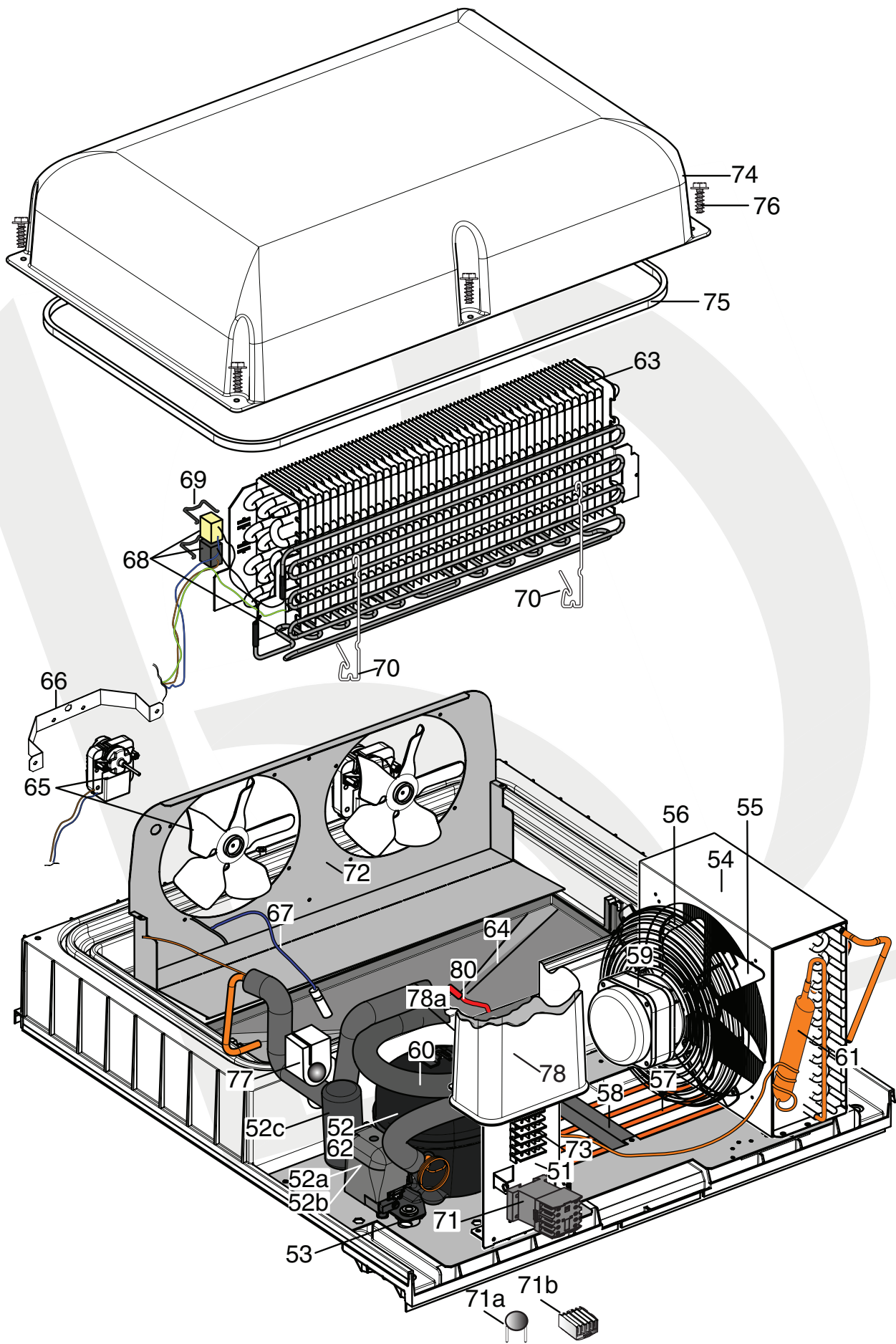
Note: per la corretta identificazione dei componenti, attenersi esclusivamente alle pagine indicate e alla lettera di riferimento.

Note: for the correct identification of the components, follow the indicated pages and the reference letter.

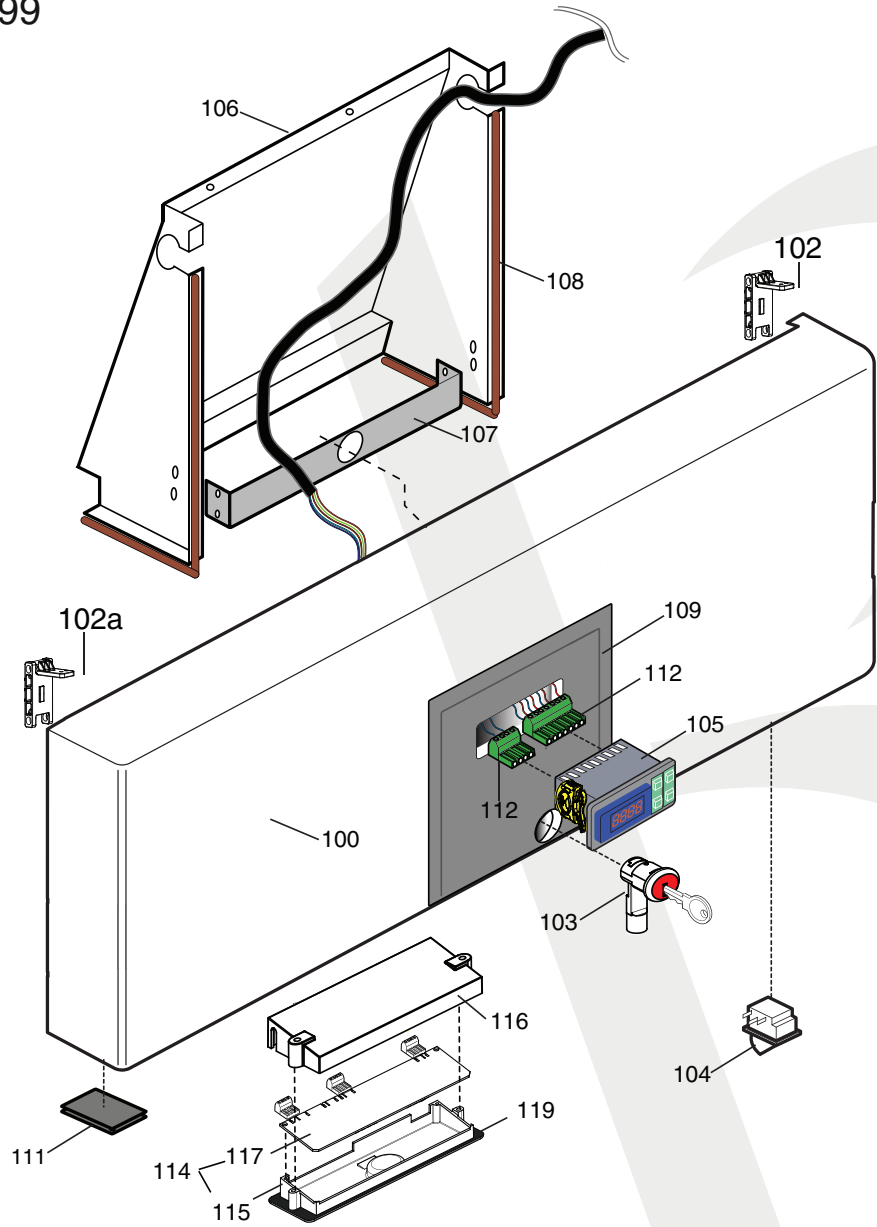
Rev:5	Pag.	2,3	Index	Indice
		4	Cabinet and door	Armadio e porta
		5	Cooling unit assembly	Gruppo refrigerante
		6,7,8	Control panel	Pannello comandi
			Spare parts list	Lista ricambi



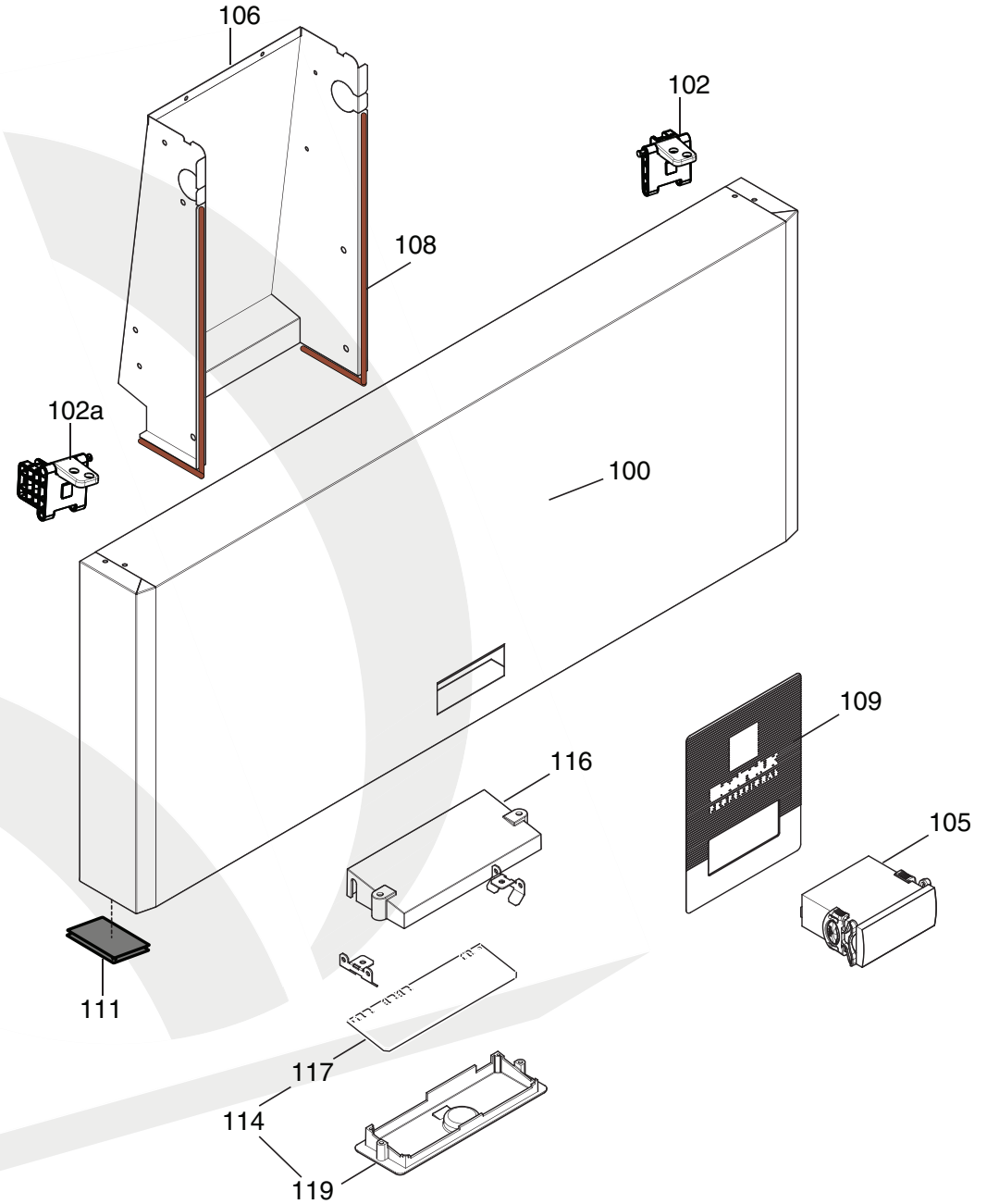




99



99 for ref z



Pos	Spare parts code	Factory code	Descrizione	Description	Ref - Note
1	093243	541R05001	Piedino	Foot	
1a	093244	518R02600	Piedino anteriore porta vetro	Back foot glass door	
2	093245	217555204	Vite per plastica per piedino	Screw (use by fix foot)	
3	093246	518708601	Vite M8x20 per fiss. staffa sup/inf	Screw M8X20 (use by fix bracket)	
4	093247	502R17400	Staffa supporto fianchi	Side support (upper)	
5	093248	546R22800	Distanziale per piede	Foot spacer	
6	093249	501R38201	Cremagliera	Rack	
7	093250	501R47900	Guida Sx	Left support	
8	093251	501R48100	Guida Dx	Right support	
9	093252	514R10600	Griglia 2/1	Grid 2/1	
10	093253	514R12200	Griglia di fondo	Bottom grid	
11		875R37600	Assieme carter interno	Internal protection assembly	
12	093254	832R09001	Cornice orizzontale	Horizontal frame	
13	093255	832R09101	Cornice verticale	Vertical frame	
13b	093256	832R09300	Cornice verticale	Vertical frame	
13a	093330	617R06700	Cavo riscald. cornice 22W (5w/m)	Heating cable frame 22W	a,b,e,x
13c	093331	617R07500	Cavo riscald. cornice 28,35W (5w/m)	Heating cable frame 28,35W	f
14	093309	835R24309	Porta con guarnizione aisi 304	Gasket and door	a,e,x
14	093310	835R24403	Porta con guarnizione aisi 430	Gasket and door	b
14		835R75900	Porta con guarnizione A304 con luce	Gasket and door with light	z
15	093311	835R24208	Porta aisi 304	Door	a,e,x
15	093312	835R24509	Porta aisi 430	Door	b
15		835R75800	Porta aisi 304	Door	z
16	094152	548R08000	Guarnizione porta cieca	Gasket full door	
17	082219	835704001	Cerniera porta	Hinge door	
18	081654	544700601	Boccola per porta	Door bush	
19	093341	833R21600	Staffa inferiore porta	Lower stirrup door	
20	082257	505723802	Staffa superiore porta	Upper stirrup door	
21	093271	541R05301	Tappo per cerniere	Hole hinge plug	
22	093575	835R24900	Ruota rotante con freno	Brake weel	
22	087110	835739900	Ruota rotante con freno	Brake weel	f,x,y
23	093574	835R24800	Ruota rotante	Weel	
23	087111	835740000	Ruota rotante	Weel	f,x,y
24	093342	880R64100	Traversa per 1/2 porte a304	Support half door a304	c,f
24	093343	880R64200	Traversa per 1/2 porte a430	Support half door a430	d
25	093272	543R09900	Cornice per traversa	Support half door frame	
26	093275	501R51800	Cremagliera ant. 1/2 porte superiore	Upper rack 1/2 doors	
27	093276	501R51600	Cremagliera ant. 1/2 porte	Lower rack 1/2 doors	
28	093585	835R25410	Ass.1/2 porta superiore a304	Upper half door a304	c,f
28	093586	835R27909	Ass.1/2 porta superiore a430	Upper half door a430	d
29	093519	835R25509	Ass.1/2 porta inferiore a304	Lower half door a304	c,f
29	093520	835R27808	Ass.1/2 porta inferiore a430	Lower half door a430	d
30	094153	548R08100	Guarnizione magnetica 1/2 porte	Half door gasket	
31	093392	546R21100	Boccola per porta 1/2 porte	Half door bush	
31a	093517	546R23100	Boccola per cerniera 1/2 porte	Half door bush	
32	093301	833R21900	Ass. cerniera inferiore	Lower hinge assembly	
33	093344	505R12400	Cerniera centrale	Central hinge door	
34	093433	833R21100	Serratura	Serratura	
35	099991	6387006002	Cavo di alimentazione	Power supply cable	
51	093332	501R41503	Supporto impianto elettrico	Electrical wiring support	

Pos	Spare parts code	Factory code	Descrizione	Description	Ref - Note
-----	------------------	--------------	-------------	-------------	------------

52	093422	684R05800	Compressore (NT2170U) 220-40/50 hz	Compressor (NT2170U)220-40/50hz	
52a	092587	*	Relè avviamento	Start relay	
52b	093751	*	Protettore	Protector	
52c	093752	*	Condensatore di avviamento	Start capacitor	
53	099872	541714500	Gommino per compressore	Rubber compressor	
54	093333	830R04900	Condensatore	Condenser	
55	089697	511708800	Ventola	Fan condenser	
56	089755	546709500	Supporto motore condensatore	Fan condenser support	
57	096537	515R13200	Serpentina evap. acqua di condensa	Evaporation water pipe	
58	093260	543R09300	Fissaggio serpentina	Stopper pipe	
59	093334	682R05300	Ventilatore condensatore	Condenser ventilator	
60	093462	858R06800	Scambiatore	Heat exchanger	
61	084078	805729802	Filtro	Dehidrator filter	
62	0A8171	A02021800	Valvola per copressore	Compressor valve (charge or disch.)	
63	093335	830R04001	Evaporatore 3R 8T	Evaporator 2R 8T	
64	093278	833R21201	Vaschetta evaporatore	Evaporator tray	
65	093325	682R05701	Ventilatore evaporatore (fime)	Evaporator fan (fime)	
66	093326	501R45101	Staffa motore evaporatore	Fan evaporator support	
67	092173	646R06700	Sonda cella	Cell probe	
68	093347	617R06200	Resistenza con termostati	Heating element with thermostat	
69	093487	514R11601	Molla per fissaggio termostati	Thermostat spring	
70	093516	514R11200	Molla per fissaggio resistenza 3R	Heating element spring 2R	
71	093848	648R06300	Relè finder	Relay finder	
71a	*	648R05300	Varistore ELCO Var 285	Varistor ELCO Var 285	
71b	*	648R05700	Dissipatore OPTO	Electrical heat exchanger	
72	093314	501R44801	Convogliatore evaporatore	Evaporator conveyor	
73	093528	639R09900	Morsettiera	Clamp	
74	093261	835R24101	Assieme Calotta	Evaporator cover	Up to 6181
74	*	835R47601	Assieme Calotta	Evaporator cover	From 6191
75	093262	14701R003	Neoprene espanso 8x13,3 nero (M4)	Gasket cover (neoprene 8x13,3)	
76	093245	217555204	Vite senza punta x plastica	Cover screw	
78	094425	546R26501	Copertura scatola impianto elettrico	Wiring box cover	
78a	093976	546R26701	Scatola impianto elettrico	Wiring box	
80	093415	617R07801	Resistenza scarico condensa	Drain heater	
99	093304	880R50105	Cruscotto completo aisi 304	Panel control complete aisi 304	c,f
99		880R56607	Cruscotto completo aisi 304	Panel control complete aisi 304	a,e,x
99	*	880R56705	Cruscotto completo aisi 430	Panel control complete aisi 430	b
99	093306	880R50704	Cruscotto completo aisi 430	Panel control complete aisi 430	d
99		883R27601	Cruscotto completo aisi 304	Panel control complete aisi 304	z
100	093265	509R12604	Cruscotto comandi	Panel 304 AISI	a,c,e,f,x
100	093266	509R12703	Cruscotto comandi	Panel 430 AISI	b,d
100		0509R24200	Cruscotto comandi senza componenti	Panel 304 AISI without components	z
102	093609	832R10100	Cerniera per cruscotto dx	Hinge for panel	
102a	093610	832R10200	Cerniera per cruscotto sx	Hinge for panel	
103	093345	833R20900	Serratura	Lock	
103	093433	0833R21100	Serratura	Lock	z
104	094035	0640R02100	Micro porta	Switch	Not for z
105	093328	646R10802	Termoregolatore ir33 IMEL1J0545	Thermoregulator IMEL1J0545	To be set
105	093434	0646R11101	Termoregolatore ir33 IMEL1J0548	Thermoregulator IMEL1J0548	z

Pos	Spare parts code	Factory code	Descrizione	Description	Ref - Note
106	095389	501R37403	Protezione	Protection	
107	093354	501R37502	Staffa per protezione	Support fro protection	
107		504R24400	Staffa per protezione	Support fro protection	z
108	0L0113	140088006	Guarnizione	Gasket	
109	093268	755R03901	Membrana	Membrane	Up to 7381
109	095022	598R81500	Membrana Zanussi	Zanussi membrane	For Zanussi products
109	095023	598R81601	Membrana Electrolux	Electrolux membrane	From 7391 for Elux and To Brand products
109	095024	598R81700	Membrana neutra	Neutral membrane	For Alpen products
109		598R98500	Membrana Electrolux	Electrolux membrane	z - Electrolux
109		598R99100	Membrana Zanussi	Zanussi membrane	z - Zanussi
109		598R99200	Membrana Alpen	Alpen membrane	z - Alpen
111	093269	541R05401	Tappo per cerniera porta	Door hinge plug	
112	*	639R06800	Connettore dritto 3 vie	Connector 3 ways right	
112	*	639R06900	Connettore dritto 7 vie	Connector 7 ways right	
112	099740		Connettore 90° 7 vie	Connector 7 ways 90°	
112	099741		Connettore 90° 5 vie	Connector 5 ways 90°	
112	088998		Connettore 90° 3 vie	Connector 3 ways 90°	
112	099743		Connettore 90° 3 vie piccolo	Connector 3 ways 90° small	
112	099742		Connettore 90° 2 vie	Connector 2 ways 90°	
112	091682		Connettore 90° 4 vie	Connector 4 ways 90°	
112	091684		Connettore 90° 5 vie	Connector 5 ways 90°	
*	093180	639R09600	Convertitore spina UK	UK plug converter	
114	093810	855R12701	Led +supporto	Led-lamp + support	z
115	093386	546R19501	Supporto scheda led	Support led-lamp	z
116	093387	546R19600	Protezione scheda led	Protection led-lamp	z
117		648R05501	Scheda led depotenziata	Led-lamp board	z
119	093390	569R05900	Guarnizione per scheda led	Ledlamp board gasket	z



NordCap GmbH & Co. KG
Thalendorststraße 15
28307 Bremen
Hauptsitz (Service, Finanzen & Personal, Lager, IT, Marketing)

Telefon: +49 421 48557-0
Telefax: +49 421 488650
E-Mail: bremen@nordcap.de

Die NordCap Verkaufsniederlassungen in Deutschland:

Nord: Hamburg • Ost: Berlin • Süd: Ingelheim • West: Erkrath

by **NordCap**[®]

ALPENINOX