



## ROLL IN FULL DOOR 0/+10°C

### ROLL IN WITH "SMART CONTROL"

Code	AVV I-M	Type	Ref.	Brand
110428	00	ROLL-IN REFRIGERATOR 1DOOR 750 LT 0/+10°	m	Zanussi
110429	00	ROLL-IN REFRIG. 1 DOOR 750 LT 0/+10°-REM	n	Zanussi
110433	00	1-DR ROLL-IN REF. 750L 0+10°C LFT HINGED	o	Zanussi
726293	Out	ROLL-IN AOS SMART 1 DOOR 750 L 0/+10°C	b	To brand
726294	Out	ROLL-IN AOS SMART 1DOOR 750L 0/+10°C REM	d	To brand
726296	18	ROLL-IN AOS SMART 1 DOOR 930L 0/+10°C	e	To brand
726297	18	ROLL-IN AOS SMART 1DOOR 930L 0/+10°C REM	f	To brand
726377	06/Out	ROLL-IN AOS SMART 1DOOR 930L 0/+10°C-US	g	To brand
726650	29	ROLL-IN REFRIGERATOR 1DOOR 750 LT 0/+10°	a	To brand
726652	19	ROLL-IN REFRIG. 1 DOOR 750 LT 0/+10°-REM	c	To brand
726674	07	ROLL-IN AOS SMART 1DOOR 750 LT 0/+10° usa	i	To brand
727024	05	ROLL-IN AOS SMART 1DR.930L 0+10°-REM-usa	h	To brand
727509	01	1-DR ROLL-IN REF. 750L 0+10°C LFT HINGED	l	To brand
729171	00	ROLL-IN REFRIGERATOR 1DOOR 750 LT 0/+10°	p	Alpen
729172	00	ROLL-IN REFRIG. 1 DOOR 750 LT 0/+10°-REM	q	Alpen
729176	00	1-DR ROLL-IN REF. 750L 0+10°C LFT HINGED	r	Alpen
729392	00	ROLL-IN REFRIGERATOR 1DOOR 750 LT 0/+10°	s	OEM
729393	00	ROLL-IN REFRIG. 1 DOOR 750 LT 0/+10°-REM	t	OEM

**Note:** per la corretta identificazione dei componenti, attenersi esclusivamente alle pagine indicate e alla lettera di riferimento.

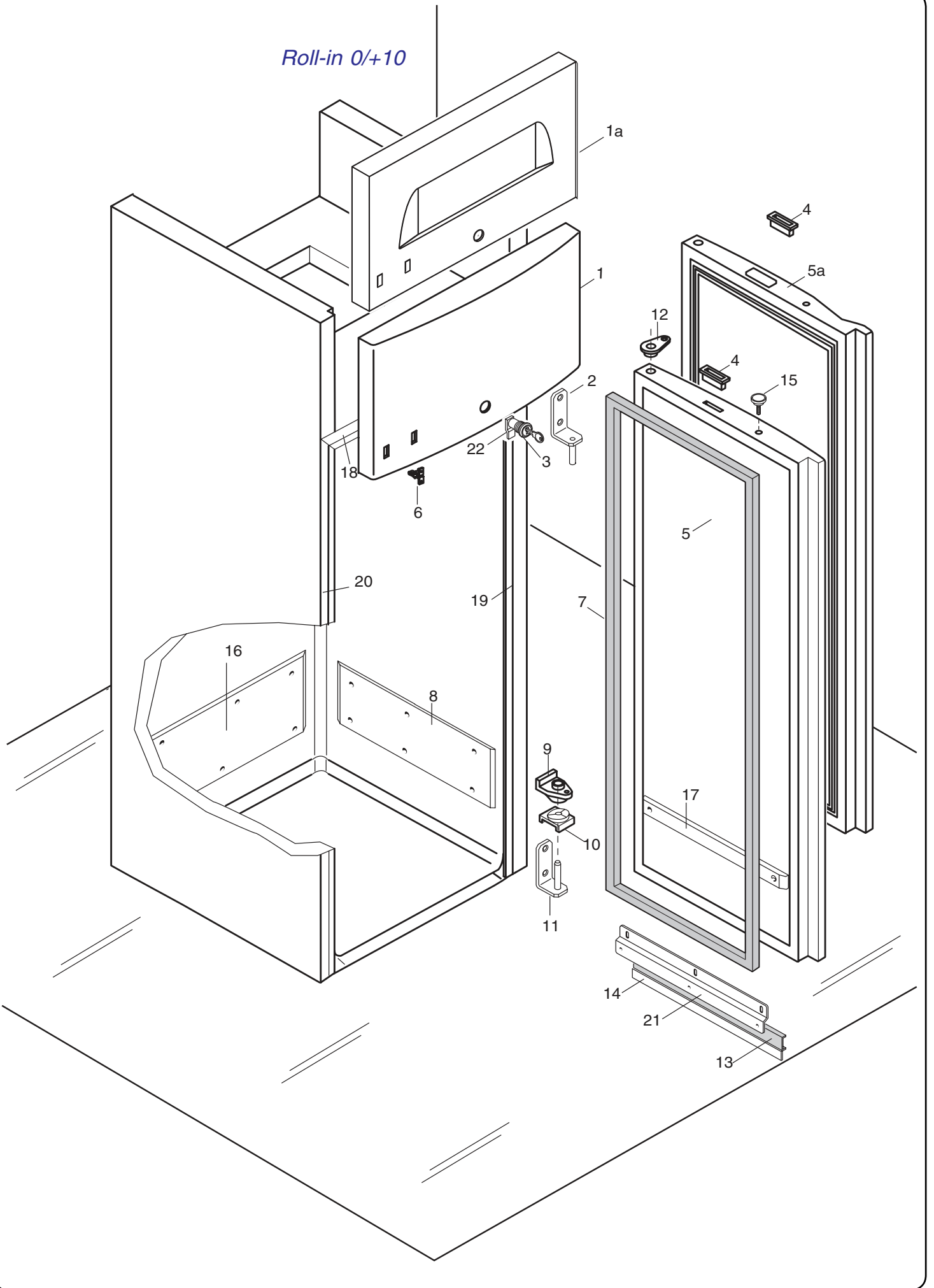
**Note:** for the correct identification of the components, follow the indicated pages and the reference letter.

<i>Pag.</i>	<i>Indice</i>	<i>Index</i>
2	Armadio	Cabinet
3	Lista ricambi	Spare parts list
4	Gruppo refrigerante	Cooling unit
5	Lista ricambi	Spare parts list
6	Cruscotto	Control panel
7	Lista ricambi	Spare parts list

Marchio / Brand: Z-A-E  
Paese / Country: Tutti / All

date of update 06/2018

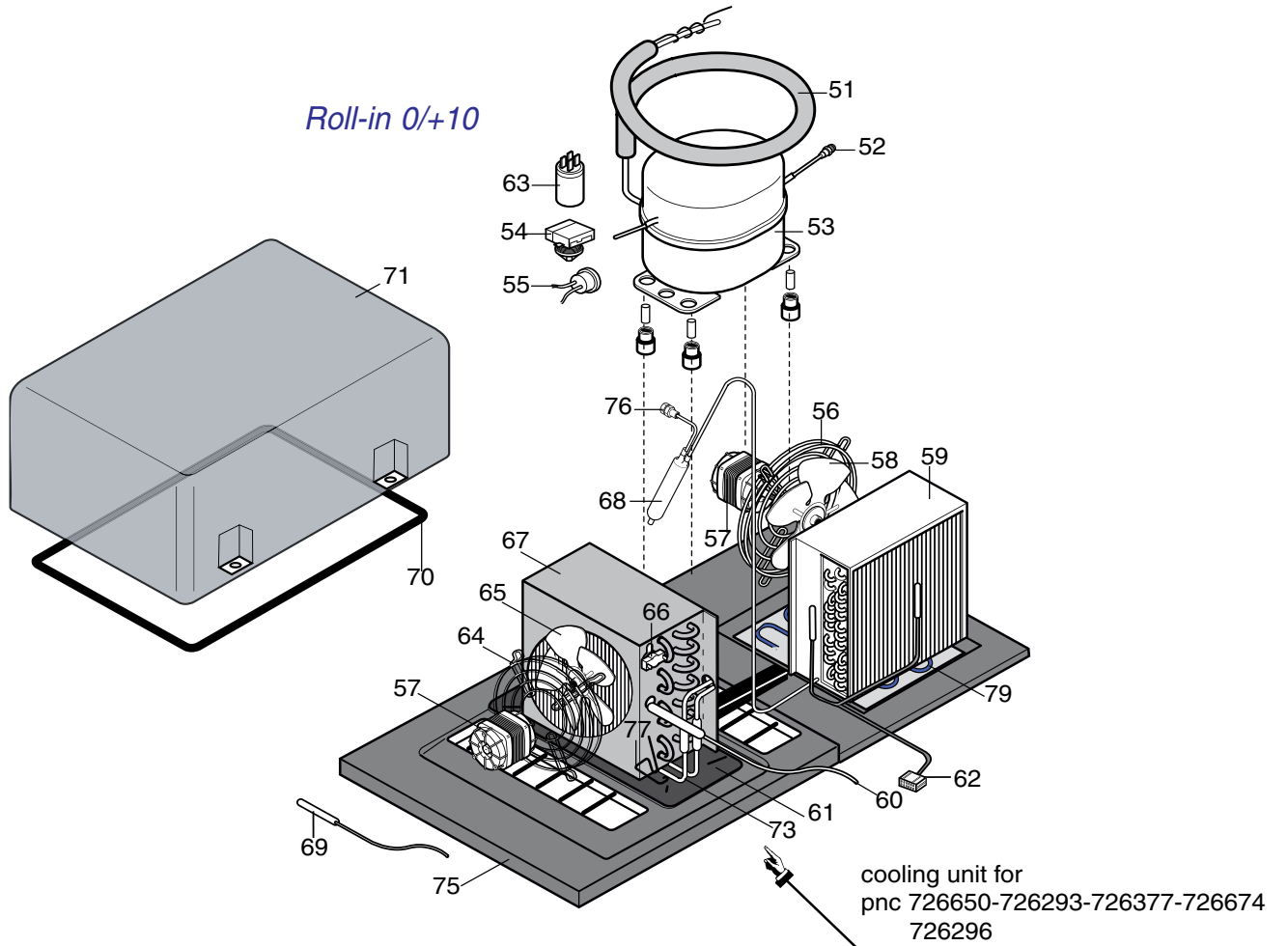
Roll-in 0/+10



Pos	Code	Descrizione	Description	Ref. / Notes
		<b>MOBILE PAG.2</b>	<b>CABINET PAGE 2</b>	
1	087821	Cruscotto comandi	Control panel	a,c,l,m,n,o,p,q,r,s,t up to 8171
<b>1</b>	<b>805750504</b>	<b>Cruscotto comandi</b>	<b>Control panel</b>	<b>a,c,l,m,n,o,p,q,r,s,t from 8181</b>
1	089085	Cruscotto comandi	Control panel	b,d
1a	089764	Cruscotto comandi	Control panel	e,f,g,h,i up to 8171
<b>1a</b>	<b>805768603</b>	<b>Cruscotto comandi</b>	<b>Control panel</b>	<b>e,f from 8181</b>
2	087844	Cerniera superiore	Upper hinge	
3	0A8053	Serratura porta	Door lock	a,c,l,m,n,o,p,q,r,s,t
3	081694	Serratura porta	Door lock	g,h,i,e,f
4	083702	Inserto per serratura porta	Plastic plug for lock	
5	087845	Porta	Door	a,c,l,m,n,o,p,q,r,s,t
5a	089765	Porta con guarnizione	Door with gasket	e,f,h,i
5	099425	Porta senza componenti	Door without components	g,h,i,e,f
6	053342	Molla arresto marchio	Brand plate retainig clip	
7	087824	Guarnizione porta	Door gasket	
7	099426	Guarnizione porta usa	Door gasket USA	g,h,i
8	087825	Protezione fianchi	Inner side protection	a,c,l,m,n,o,p,q,r,s,t
8	089086	Protezione fianchi	Inner side protection	b,d,g,h,i,e,f
9	084528	Boccola elicoidale sup.	Upper helicoidal bush	
10	084521	Boccola elicoidale inf.	Lower helicoidal bush	
11	084534	Cerniera inferiore	Lower hinge	
12	0A9096	Boccola superiore	Upper bush	
13	087827	Guarnizione inferiore porta	Door lower gasket	
14	087828	Supporto guarnizione	Gasket support	
15	087829	Magnete per porta	Door magnet	
16	089087	Protezione schienale cella	Inner back protection	b,d,g,h,i,e,f
17	089088	Protezione per carrello	Protection trolley in the door	b,d,g,h,i,e,f
18	099427	Riscontro orizzontale Roll-in	Upper frame	a,b,d,g,h,c,i,e,f,l
19	099428	Riscontro verticale dx	Right side frame	b,d,g,h,i,e,f
19	091518	Riscontro verticale dx	Right side frame	a,c,l,m,n,o,p,q,r,s,t
20	099429	Riscontro verticale sx	Left side frame	b,d,g,h,i,e,f
20	091519	Riscontro verticale sx	Left side frame	a,c,l,m,n,o,p,q,r,s,t
21	091095	Guida per guarnizione	Guide support to gasket	
22	083702	Scarpetta per serratura	Lock insert	h,i
22	087183	Scarpetta per serratura	Lock insert	a,c,l,m,n,o,p,q,r,s,t

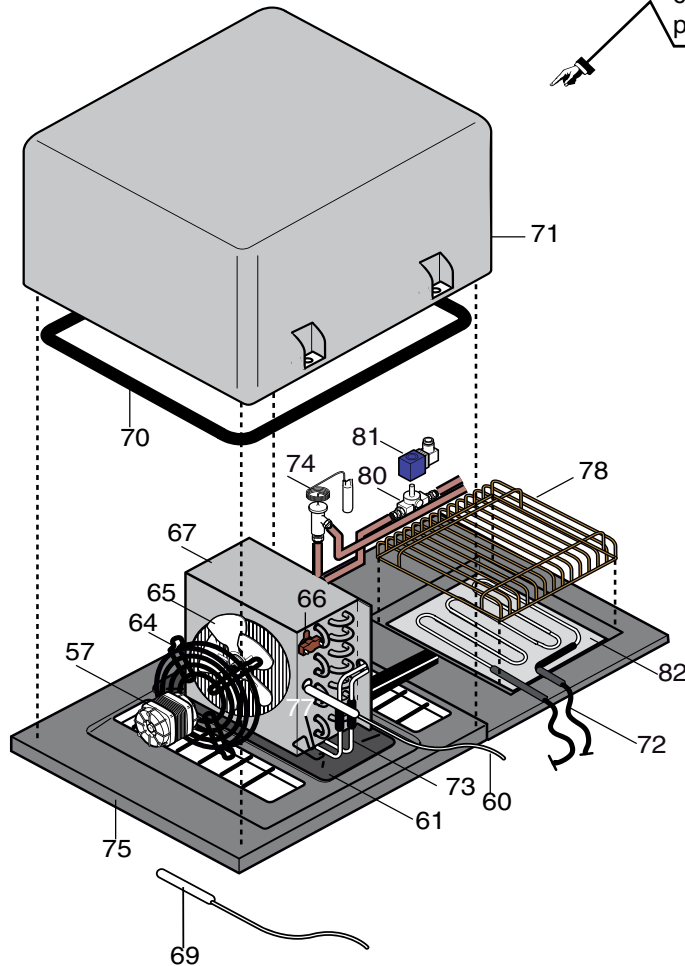
\* Componenti disponibili a richiesta / Component available upon request

Roll-in 0/+10



cooling remote unit for  
pnc 726652-726294-727024-726297

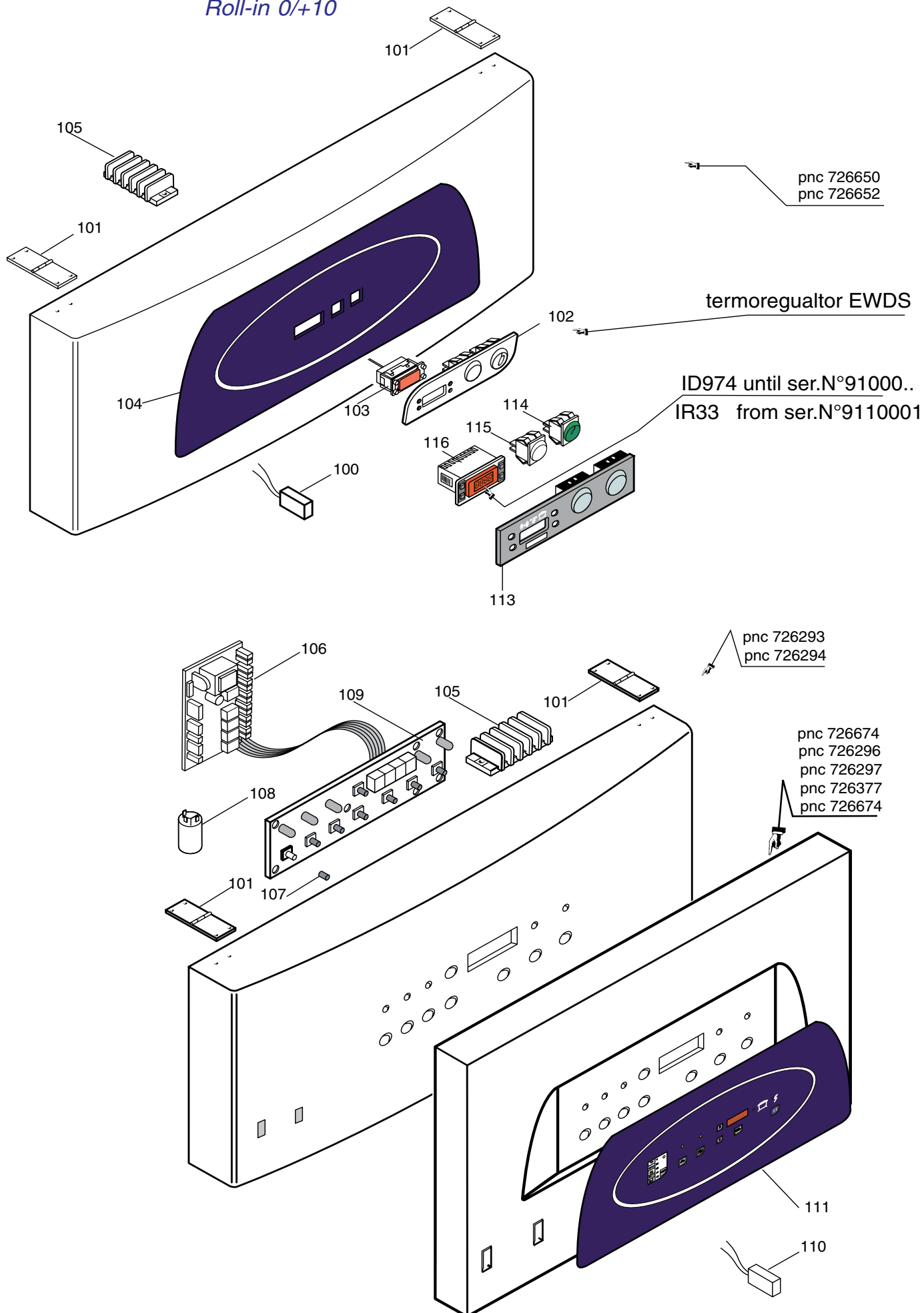
Roll-in 0/+10



Pos	Code	Descrizione	Description	Ref. / Notes
		<b>GRUPPO REFRIGERANTE PAG 4</b>	<b>COOLING UNIT PAGE 4</b>	
51	087178	Scambiatore	Heat exchanger	a,b,g,i,e,l,m,o,p,r,s
52	0A8171	Valvola ricarica	Recharge valve	a,b,g,i,e,l,m,o,p,r,s
53	083752	Compressore 230/50HZ	Compressor 230/50HZ	a,b,e,l,m,o,p,r,s
53	084697	Compressore 115/60HZ	Compressor 115/60HZ	g,i
54	081756	Relè avviamento	Relay	a,b,e,l,m,o,p,r,s
55	083152	Protettore termico	Overload protector	a,b,e,l,m,o,p,r,s
56	083157	Protezione ventola	Fan grid	b
56	089755	Protezione ventola	Fan grid	g,a,i,e,l,m,o,p,r,s
57	0A9350	Ventilatore	Motorventilator	b
57	099870	Ventilatore 115/60 hz	Motorventilator 115/60 hz	h,i
57	084745	Ventilatore con/evap	Motorventilator con/evap	e,f,a,c,l,m,n,o,p,q,r,s,t
58	082230	Ventola	Fan	a,b,i,e,l,m,o,p,r,s
58	085532	Ventola	Fan	g,i
59	085981	Condensatore	Condenser	a,b,g,i,e,l,m,o,p,r,s
60	092180	Sonda evaporatore cavo verde	Evaporator probe green cable	b,g,h,i,e,f
60	092178	Sonda evaporatore	Evaporator probe	a,c,l,m,n,o,p,q,r,s,t
61	087483	Bacinella sbrinamento	Defrost water tray	
62	092188	Sonda condensato. / ambiente	Condenser/room probe	b,g,i,e
63	0A8764	Condensatore spunto	Start capacitor	a,b,e,l,m,o,p,r,s
64	083440	Protezione ventola evap.	Evaporator fan grid	b
64	089770	Protezione ventola evap.	Evaporator fan grid	a,g,h,c,i,e,f,l, m,n,o,p,q,r,s,t
65	082874	Ventola evaporatore	Evaporator fan	b
65	089696	Ventola evaporatore	Evaporator fan	c,a,e,f,l, m,n,o,p,q,r,s,t
65	084041	Ventola evaporatore	Evaporator fan	g,h,i
66	0A9671	Termostato +40° +30°	Thermostat +40° +30°	
66	090105	Termostato	Thermostat	g,h,i
67	087402	Evaporatore	Evaporator	a,b,g,i,e,l,m,o,p,r,s
67	087332	Evaporatore	Evaporator	c,d,h,f,n,q,t
68	084078	Filtro	Filter	a,b,l,m,o,p,r,s
68	083854	Filtro per USA (tappo fusibile)	Filter for usa model	g,i
69	092177	Sonda cella cavo blu	Cell probe blue cable	b,g,h,i,f
69	092173	Sonda cella cavo blu	Cell probe blue cable	a,c,l,m,n,o,p,q,r,s,t
70	089613	Guarnizione campana	Gasket for cover	
71	090079	Campana	Evaporator cover	
72	087331	Resistenza per condensa	Heating element for water cond.	c,d,f,n,q,t
72	617R01600	Resistenza per condens. 120V	Heating element for water conden.	h
73	0A9683	Resistenza evaporatore	Evaporator heating element	
73	090193	Resistenza evaporato. 120/60 hz	Evapor. heating element 20/60 hz	g,h,i
74	087333	Valvola termostatica	Thermostatic valve	c,d,h,f,n,q,t
75	099374	Supporto gruppo	Cooling support	a,g,h,c,i,f,l,m,o,p,r,s
76	099869	Sicurezza per alta pressione	Safety plug for hight pressure	g,i
77	089771	Molla per fissaggio resistenza	Spring for heating element	
78	099378	Griglia protezione resistenza	Heating element protection	
79	099830	Serpentina evaporazione	Evaporation water pipe	a,l,m,o,p,r,s
80	084085	Corpo valvola	Body valve	c,f,n,q,t
81	083386	Bobina	Coil	c,f,n,q,t
82	091483	Protezione fondo per supp.grup.	Cooling support protection	h,f
*	088602	Gabbietta per sonda	Protection probe	
*	877778008	Ass. Gruppo	Ass. cooling units	e
*	877778208	Ass. Gruppo	Ass. cooling units	f
*	858R01501	Ass. Gruppo	Ass. cooling units	h
*	858774602	Ass. Gruppo	Ass. cooling units	i,g
*	877722608	Ass. Gruppo	Ass. cooling units	a,l,m,o,p,r,s
*	089614	Isolante per valvola termostatica	Thermostatic valve insulation	c,d,f,h

\* Componenti disponibili a richiesta / Component available upon request

Roll-in 0/+10



Pos	Code	Descrizione	Description	Ref. / Notes
		<b>CRUSCOTTO 6</b>	<b>CONTROL PANEL 6</b>	
100	083881	Micro magnetico	Magnetic switch	a,c,l,m,n,o,p,q,r,s,t
<b>101</b>	<b>099853</b>	<b>Cerniera per cruscotto</b>	<b>Hinge for panel</b>	<b>Up to 8171</b>
<b>101</b>	<b>095676</b>	<b>Cerniera per cruscotto</b>	<b>Hinge for panel</b>	<b>From 8181</b>
102	087830	Mascherina con tasti	Control panel with switch	a,c,l,m,n,o,p,q,r,s,t
103	087831	Termoregolatore ewds 341	Thermoregulator ewds 341	a,c,l until to 647.....
104	088504	Adesivo per cruscotto	Sticker for panel	a,c,l,m,n,o,p,q,r,s,t
105	082171	Morsettiera	Clamp	
105	099965	Morsettiera	Clamp	g,h
106	092562	Scheda main 230V	Main board 230V	b,d,e,f (to be setted)
106	092540	Scheda main 120V	Main board 120V	g,h,i (to be setted)
107	002670	Prolunga pulsante	Extension for button	b,d,i
108	048726	Filtro antidisturbo	Electric filter	
109	087481	Scheda user	User board	b,d,e,f,g,h,i
110	088578	Sensore magnetico	Magnetic switch	b,d,g,h,i,e,f
111	089090	Adesivo per cruscotto	Sticker for control panel	b,d
111	089766	Adesivo per cruscotto	Sticker for control panel	e,f
111	099430	Adesivo per cruscotto usa	Sticker for control panel usa	g,h,i
112	0A9596	Relè 16A	Relay 16A	a,l
113	091494	Mascherina per tasti ID974	Swith support ID374	a,c,l until ser.N° 910.....
113	092834	Mascherina per tasti IR33	Swith support IR33	a,c,l,m,n,o,p,q,r,s,t from ser.N° 911
			(to be setted)	
114	099274	Interuttore verde per IR33	Green swicth IR33	a,c,l,m,n,o,p,q,r,s,t from ser.N° 647.....
115	099275	Deviatore bianco per IR33	White swicth IR33	a,c,l,m,n,o,p,q,r,s,t from ser.N° 647.....
116	091304	Termoregolatore ID974	Thermoregulator ID 974	a,c,l until to ser.N°910.....
116	092235	Termoregolatore IR33	Thermoregulator IR33	a,c,l,m,n,o,p,q,r,s,t from ser.N° 911.. (to be setted)

\* Componenti disponibili a richiesta / Component available upon request