

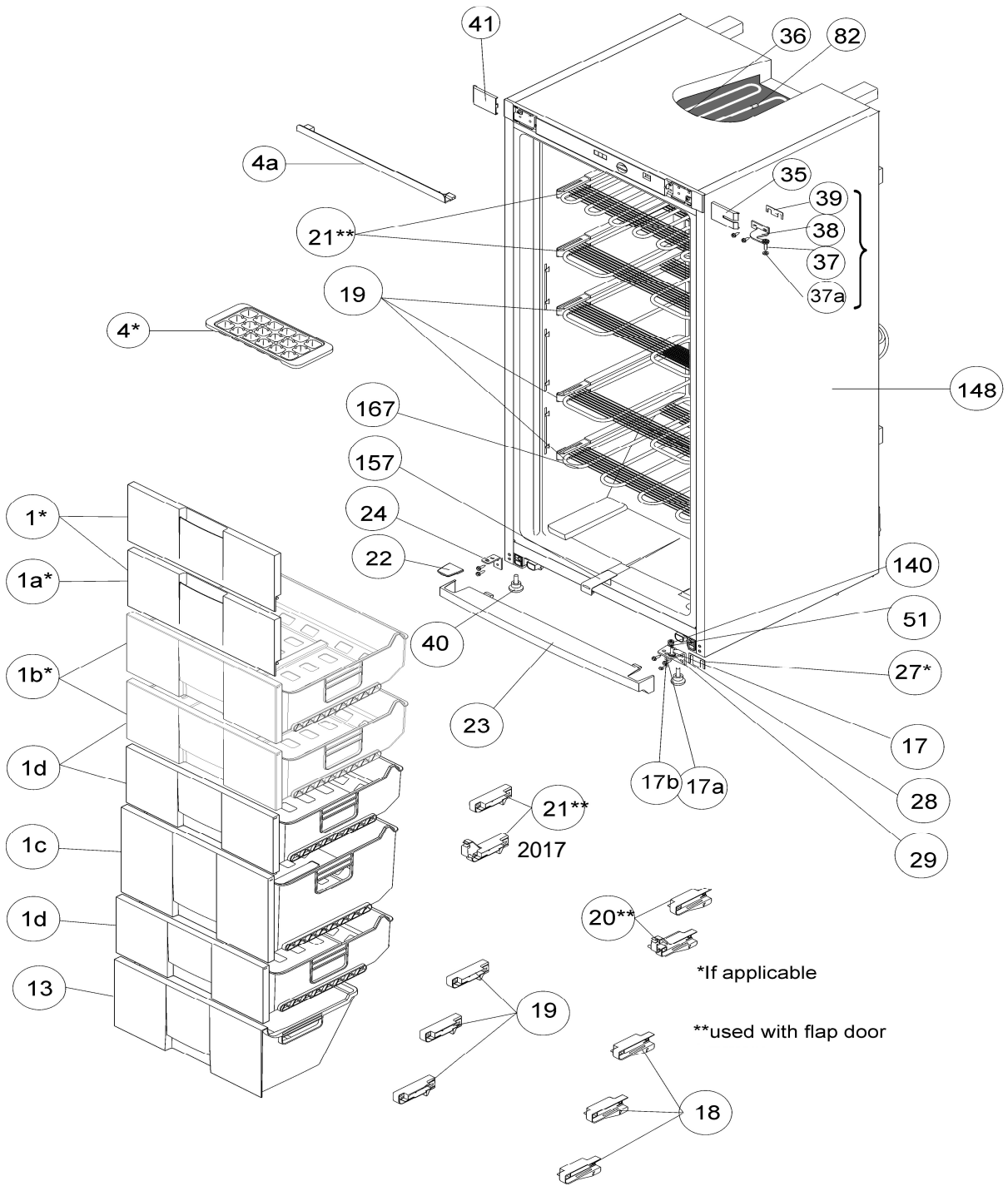
COOL-LINE-Tiefkühl-Lagerschrank

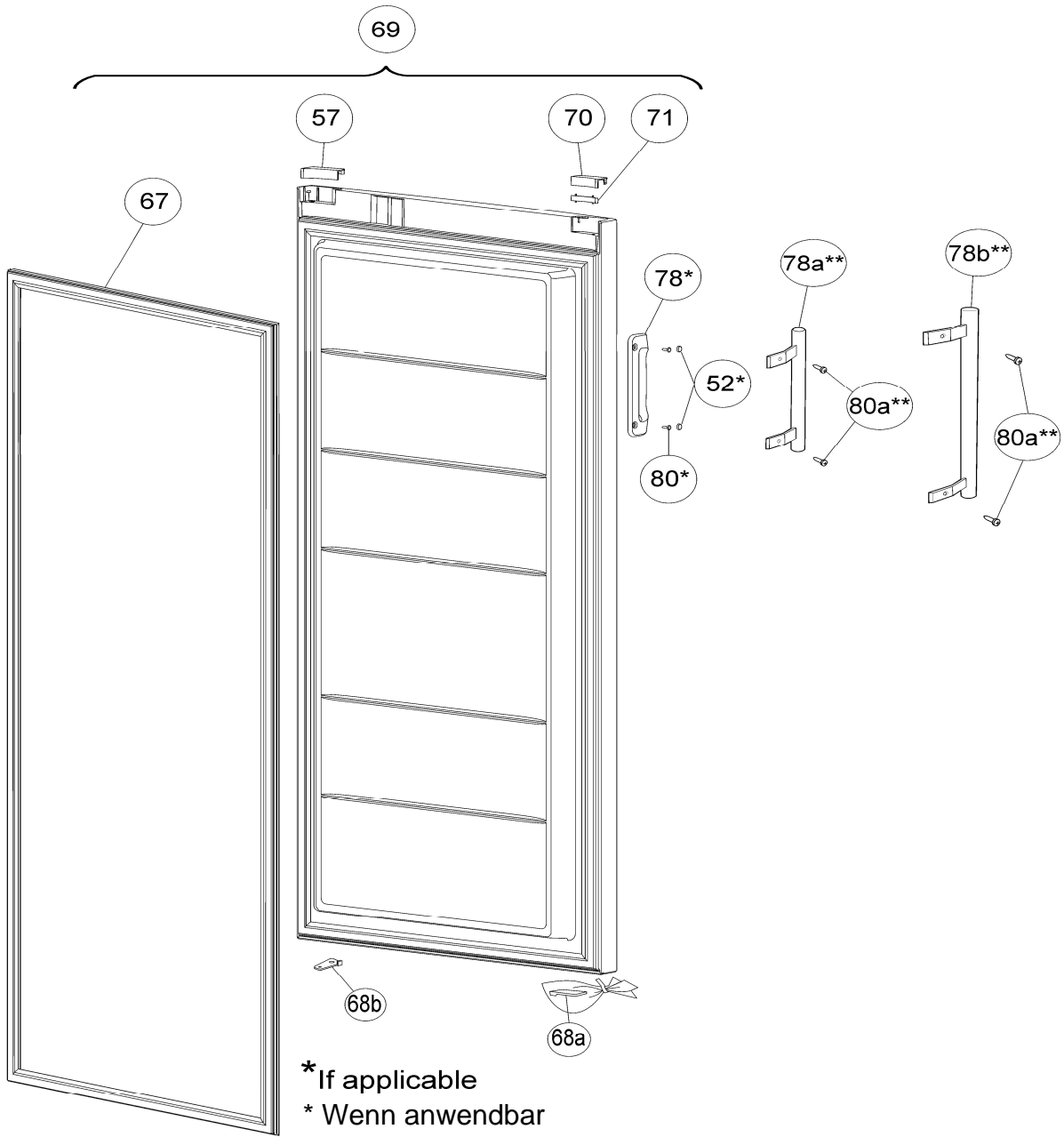
F 22 GREEN LINE

Art. 4706220001

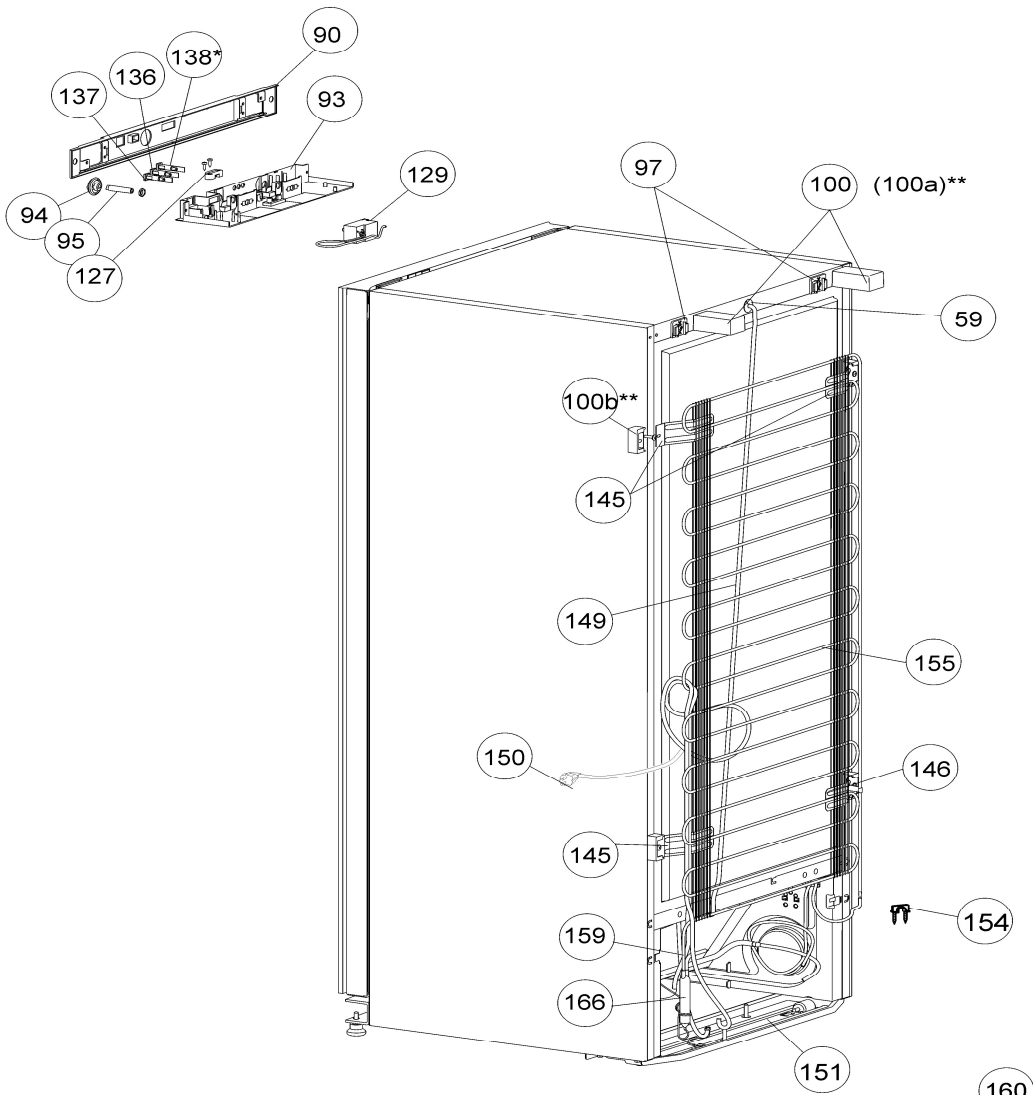
Ersatzteilliste-Explosionszeichnung

Catalogue of parts and units

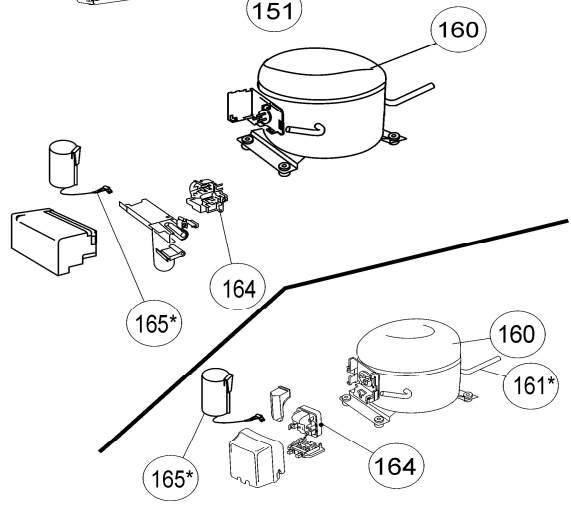




* If applicable
 * Wenn anwendbar
 ** Alternative



*If applicable
 * Wenn anwendbar
 **For A++ class



DE Ersatzteilliste-Explosionszeichnung

Kode der Teil	Katalog Kode	Name
D060196-O	93	Montagepaneel (Abb.3)
D140117-O1	127	Klammer (Abb.3)
V420088	129	Thermoregler (Abb.3)
KRHTK80AA(3)-C8	164	Anlaßrelais (Abb.3)
S571050	136	Signalleuchte (Abb.3)
S571053	137	Signalleuchte (Abb.3)
V519212-01	149	Elektrodraht (Abb.3)
V503063-04	150	Netzdraht (Abb.3)
D206103	95	Achse (Abb.3)
D253123ASN01	94	Regler (Abb.3)
V100011-00	82	Halter (Abb.1)
M120254-00-1IO1	38	Konsole (Abb.1)
M150472-01-Y1	68a	Platte (Abb.2)
M206104-00	37	Achse (Abb.1)
40081100.0359	37a	Achse (Abb.1)
V320261-00-OO1 5 6	69	Tür (Abb.2)
V372111-08	67	Dichtung (Abb.2)
M150472-00-Y1	68b	Platte (Abb.2)
V355311-01-OO	148	Schrank (Abb.1)
V043041-00-J1	40	Stütze (Abb.1)
D155327-O	27	Zwischenlage (Abb.1)
V043056-00	151	Stütze (Abb.3)
M271006	17a	Klammer (Abb.1)
M120256-00-Y1	28	Konsole (Abb.1)
M206106-00	17	Achse (Abb.1)
40081100.0358	29	Scheibe (Abb.1)
40081050.0240	17b	Mutter M8 (Abb.1)
M120261-00-Y1	24	Konsole (Abb.1)
D270096-O	97	Stütze (Abb.3)
V357110VSN08	1c	Wanne "Big Box" (Abb.1)
V357111-V	1d	Wanne (Abb.1)
KKHTK80AA(3)-C8	160	Kompressor (Abb.3)
PM022	167	Verdampfer (Abb.1)
S270096-00	155	Verflüssiger (Abb.3)
M120252-00-4	146	Konsole (Abb.3)
D145028-00	154	Klemme (Abb.3)
D155325	39	Zwischenlage (Abb.1)
D161023-00-BVO1	4a	Vorderwinkel (Abb.1)
M175136-01	159	Technologische Rohre (Abb.3)
V060268-O1-OL	90	Dekorative Paneel (Abb.3)
D212195-0	59	Buchse (Abb.3)
D212166-03	36	Buchse (Abb.1)
D253127-O	78	Griff (Abb.2)
D269088-O	71	Einlage (Abb.2)
D270099-00	18	Stütze (Abb.1)
D270099-01	19	Stütze (Abb.1)
D270080-O	100	Stütze (Abb.3)
D315173-O	52	Deckel (Abb.2)
D315214-00-O	35	Deckel (Abb.1)
D315215-O	41	Deckel (Abb.1)
D315218-O	23	Untere deckel (Abb.1)
D315221-00-O	57	Deckel (Abb.2)
D315221-01-O	70	Deckel (Abb.2)
D315261-O	22	Deckel (Abb.1)
V357111VSN06	1b	Wanne (Abb.1)
D333015	157	Rinne (Abb.1)
D357151	4	Eiswanne (Abb.1)
D357261-V2	13	Wanne (Abb.1)
D710019-O	140	Scheibe (Abb.1)
M950023-01-Y1	51	Scheibe (Abb.1)
40081150.0320	80	Schraube M5x16 (Abb.2)
V433005	166	Trocknenfilter (Abb.3)
M120252-00-4	145	Konsole (Abb.3)

EN Catalogue of parts and units

Part code	Catalog code	Name
D060196-O	93	Mounting panel (Pic.3)
D140117-O1	127	Clip (Pic.3)
V420088	129	Thermostat (Pic.3)
KRHTK80AA(3)-C8	164	Starting relay (Pic.3)
S571050	136	Signal lamp (Pic.3)
S571053	137	Signal lamp (Pic.3)
V519212-01	149	Wiring (Pic.3)
V503063-04	150	Supply cord (Pic.3)
D206103	95	Axle (Pic.3)
D253123ASN01	94	Knob of thermostat (Pic.3)
V100011-00	82	Holder (Pic.1)
M120254-00-11O1	38	Bracket (Pic.1)
M150472-01-Y1	68a	Plate (Pic.2)
M206104-00	37	Axle (Pic.1)
40081100.0359	37a	Axle (Pic.1)
V320261-00-OO1 5 6	69	Door (Pic.2)
V372111-08	67	Gasket (Pic.2)
M150472-00-Y1	68b	Plate (Pic.2)
V355311-01-OO	148	Foamed cabinet (Pic.1)
V043041-00-J1	40	Support (Pic.1)
D155327-O	27	Spacer (Pic.1)
V043056-00	151	Support for compr. fixing (Pic.3)
M271006	17a	Fixer (Pic.1)
M120256-00-Y1	28	Bracket (Pic.1)
M206106-00	17	Axle (Pic.1)
40081100.0358	29	Washer (Pic.1)
40081050.0240	17b	Nut M8 (Pic.1)
M120261-00-Y1	24	Bracket (Pic.1)
D270096-O	97	Support (Pic.3)
V357110VSN08	1c	"Big Box" container (Pic.1)
V357111-V	1d	Container (Pic.1)
KKHTK80AA(3)-C8	160	Compressor (Pic.3)
PM022	167	Evaporator (Pic.1)
S270096-00	155	Condenser (Pic.3)
M120252-00-4	146	Bracket (Pic.3)
D145028-00	154	Clamp (Pic.3)
D155325	39	Spacer (Pic.1)
D161023-00-BVO1	4a	Front angle (Pic.1)
M175136-01	159	Technological tube (Pic.3)
V060268-O1-OL	90	Decorative panel (Pic.3)
D212195-0	59	Bushing (Pic.3)
D212166-03	36	Bushing (Pic.1)
D253127-O	78	Handle (Pic.2)
D269088-O	71	Insert (Pic.2)
D270099-00	18	Support (Pic.1)
D270099-01	19	Support (Pic.1)
D270080-O	100	Support (Pic.3)
D315173-O	52	Cover (Pic.2)
D315214-00-O	35	Cover (Pic.1)
D315215-O	41	Cover (Pic.1)
D315218-O	23	Bottom cover (Pic.1)
D315221-00-O	57	Cover (Pic.2)
D315221-01-O	70	Cover (Pic.2)
D315261-O	22	Cover (Pic.1)
V357111VSN06	1b	Container (Pic.1)
D333015	157	Chamfer (Pic.1)
D357151	4	Ice cube tray (Pic.1)
D357261-V2	13	Tray (Pic.1)
D710019-O	140	Washer (Pic.1)
M950023-01-Y1	51	Washer (Pic.1)
40081150.0320	80	Screw M5x16 (Pic.2)
V433005	166	Filter-dryer (Pic.3)
M120252-00-4	145	Bracket (Pic.3)