

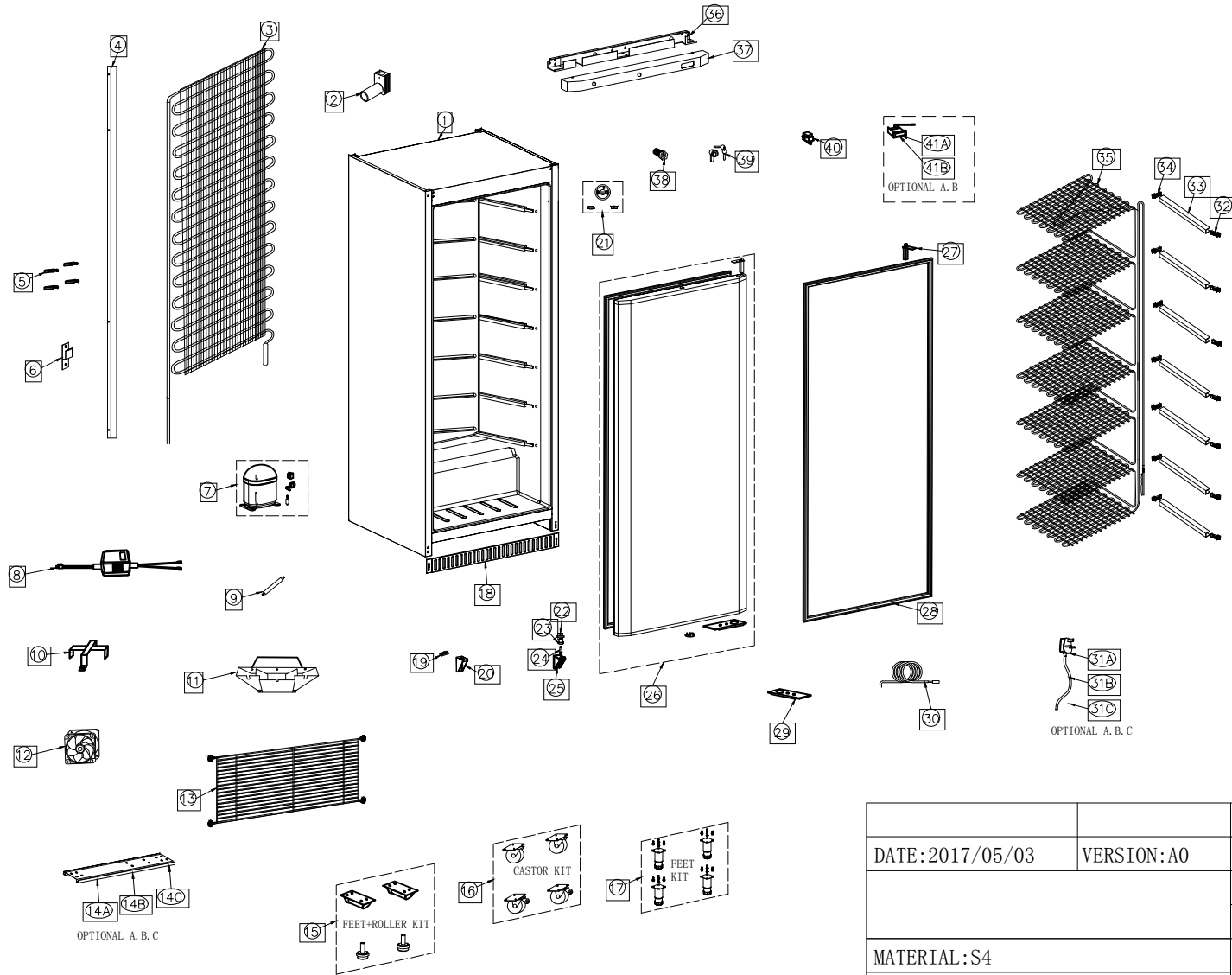
# Spare-Parts List and Exploded View

(Ersatzteilliste-Explosionszeichnung)

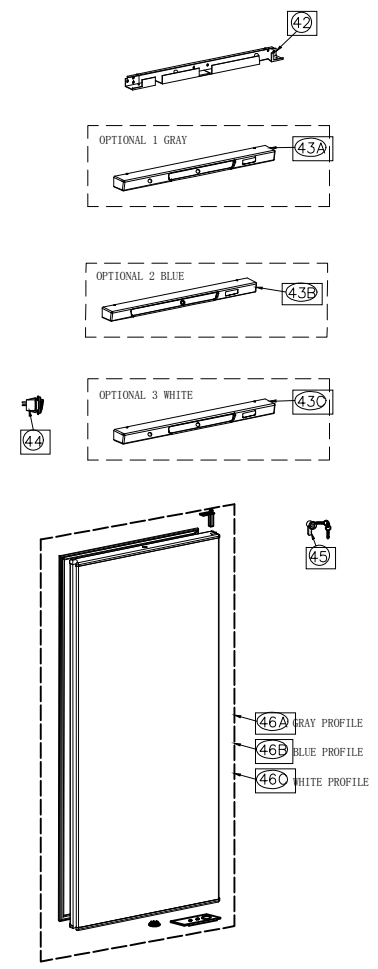
## COOL-LINE-Tiefkühlschrank **RN 600 GL**

[Art. 451600600]





ALTERNATIVE DESIGN



DATE:2017/05/03	VERSION:A0	DESCRIPTION		DESIGN BY:	
		SCALE	MODEL	Q. TY	REMARKS:
		1:1			
MATERIAL:S4		EXPLODED VIEW			
DESIGN BY:Jessie					
APPROVED BY:Alberto		CATEGORY	TYPE	GROUP	PART N°
DATE:2017/05/03		EV	1AS0	A0	1200

Item Description

**RN 600 GL**

BOM Number

1

Build Quantity

1

Fixed Cost

0

Remark

Unit pc

BOM Components

Lev. 0	Item Number	Descr	Quantity	u.m.	Spare Part
	EV1AS0A01200	CN/CNX 6 - EXPLODED VIEW DRAW.(Ver.A0 - S12)	1	pc	1
<b>1</b>	S41AS00A0001	CN 6 -STELL PAINTED FOAMED ASSEMBLY BODY (White Color - S12)	1	pc	1
<b>2</b>	A01AF00A0002	RN 600/RN 400 - PRESSURE BALANCE VALVE	1	pc	1
<b>3</b>	I01AS08A0001	CN 6/CNX 6 - WIRE CONDENSER - (S12)	1	pc	1
<b>4</b>	P01AF00A0003	RN 600-LONG VERTICAL WIRE COVER	1	pc	1
<b>5</b>	P01AQ28A0002	CR/CN 2-4-6 Series - REAR CONDENSER SPACER - (S12)	4	pc	1
<b>6</b>	P01AE60A0005	RC 600/CR 7 Series - DISTANCE HOLDER - (S12)	2	pc	1
<b>7</b>	E27B2H2C0000	NUT60CA - COMP.CUBIGEL R290-220-240V 50Hz-1/4 HP RSCR:	1	pc	1
<b>8</b>	E26B20120031	AC/DC ADAPTER MOD.HYD-1200300EU - (Male Connector)	1	pc	1
<b>9</b>	C01AE66A0001	400-600 ABS Ser./CR Salad./CR-CN 7/14 Ser-DRIER FILTER (S12)	1	pc	1
<b>10</b>	Z01AF03A0003	RN/RNX 600B - BBC 286 - TRANSFOMER HOLDER (For item in R290)	1	pc	1
<b>11</b>	P01AR63A0002	CR/CN 6 - CR/CN4 - ABS CONDENSER FAN CONVEYOUR (Gray - S12)	1	pc	1
<b>12</b>	E1711A027000	RDM1225B:12Vdc,0,23A, 2,76W - Wire Lenght 300mm	1	pc	1
<b>13</b>	I01AR69A0003	CR 6/CRX 6 - REAR ENGINE ROOM GRID (White Color-S12)	1	pc	1
<b>14A</b>	Z01AS03A0001	CN 6/CNX 6 - ENGINE PLATE (For Roller and Feet kit)-S12	1	pc	1
<b>14B</b>	Z01AS03A0002	CN 6/CNX 6 - ENGINE PLATE (For Castor kit)-S12	1	pc	1
<b>14C</b>	Z01AS03A0003	CN 6/CNX 6 - ENGINE PLATE (For S/S Feet Kit)-S12	1	pc	1
<b>15</b>	KITFT1AE6A00	RC/RN 600-CR/CRX 4-FEET andROLLERS KIT(N.2 FOOT+N.2 ROLLERS)	1	pc	1
<b>16</b>	KITCS1AE6A00	RC 400 / RC 600 - N.4 CASTOR KIT (N.2 NORMAL+N.2 WITH BRAKE)	1	pc	1
<b>17</b>	KITFT1AE6B00	RC/RN 400/600 - S/S FEET KIT FOR ABS CABINET (N.4 PCS)	1	pc	1
<b>18</b>	S41AE60A0008	RC 600/RN 600-BOTTOM FRONT PANEL (Gray Color)	1	pc	1
<b>19</b>	N01AE62A0007	RC 400/600-RN 400/600 - DOOR PULLEY ON LEFT BOTTOM HINGE	1	pc	1
<b>20</b>	A01AE62A0003	RC 400/600-RN 400/600 - BOTTOM LEFT HINGE (Aluminium Color)	1	pc	1
<b>21</b>	P01AF00A0004	RN 600/RN 400 -PRESS.BALANCE VALVE HOLDER+UPPER/BOTTOM COVER	1	pc	1
<b>22</b>	N01AE62A0009	RC/RN 400/600-CR/CN 7-14 - NYLON UP SLIP COVER (White-S12)	1	pc	1
<b>23</b>	Z01AE62A0012	RC/RN 400/600-CR/CN 7-14 - DOWN TURN AXIS - (S12)	1	pc	1
<b>24</b>	Z01AE62A0005	RC/RN 400/600-CR/CN 7-14-PIVOT BOTTOM/UPPER RIGHT HINGE-(S12)	1	pc	1
<b>25</b>	A01AE62A0004	RC 400/600-RN 400/600 - BOTTOM RIGHT HINGE(Aluminium Color)	1	pc	1
<b>26</b>	S41AR62A0001	CR/CN 6-DOOR(Gasket+Self Closing+Cap+Axis Reinforce)Gray-S12	1	pc	1
<b>27</b>	Z01AE62A0006	RC/RN 400/600 - CR/CN 7-CR/CN 14-SELF CLOSING SPRING-(S12)	1	pc	1

<b>28</b>	R01AR62A0002	CR/CN 6-DOOR GASKET (N.3 room / WHITE Color - S12)	1	pc	1
<b>29</b>	Z01AE62A0010	RC/RN 400/600-CR/CN 7-14 - BOTTOM TURN AXIS REINFORC.-(S12)	1	pc	1
<b>30</b>	E21010300001	NTC PROBE - CABLE 3000 mm	1	pc	1
<b>31A</b>	E25EUG307525	POWER CORD 3x0.75 mmq - EU PLUG - GRAY COLOR 2,5 Mt.	1	pc	1
<b>31B</b>	E25EUK307525	POWER CORD 3x0,75 mmq - UK PLUG - BLACK COLOR 2.5 Mt	1	pc	1
<b>31C</b>	E25AUB307525	POWER CORD 3x0,75 mmq - AUSTRALIAN PLUG - BLACK COLOR 2,5 Mt	1	pc	1
<b>32</b>	P01AF07A0003	RN 600/RN 400 - RIGHT SUPPORT FOR SHELVES EVAPORATOR	7	pc	1
<b>33</b>	A01AF07A0002	RN 600 - FRONTAL EVAPORATOR STRIPES	7	pc	1
<b>34</b>	P01AF07A0004	RN 600/RN 400 - LEFT SUPPORT FOR SHELVES EVAPORATOR	1	pc	1
<b>35</b>	I01AS07A0001	CN/CNX 6 - SHELVES EVAPORATOR (White Color - S12)	1	pc	1
<b>36</b>	Z01AR61A0002	CR/CN 6 - UPPER SUPPORT FOR FRONT PANEL - (S12)	1	pc	1
<b>37</b>	P01AR61A0001	CR/CN 6-TOP PANEL GRAY Col.(HOLES: Main/Lock/Fan/Buzzer)-S12	1	pc	1
<b>38</b>	E2318BL00001	QN19-C MAIN SWITCH (3P)-BLUE Light-250V-5A/T55 1AE4 (D.19mm)	1	pc	1
<b>39</b>	Z01AQ22A0003	CR/CRG/CN 2-4-6 - DOOR LOCK + KEYS (Inc.RED Keys DL00017174)	1	pc	1
<b>40</b>	E2309WH00001	HF-D02-1A-1 DOOR SWITCH (2P) 250VAC-4A; CONTACT NC	1	pc	1
<b>41A</b>	E20A111C3D00	XR02CX-5R1C1 DIXELL BLULINE THERM.-LIDCGXB5AB (RWD)	1	pc	1
<b>41B</b>	E20A121C5E00	EV3B21N7VXRB01 EVCO THERMOSTAT (RWE) CHILLER	1	pc	1
<b>42</b>	Z01AE61A0011	RC 600/RN 600-UPPER SUPPORT FOR WHITE TOP (1 DOOR SWITCH)	1	pc	1
<b>43A</b>	P01AE61A0002	RC/RN 600-TOP PANEL GREY COLOR(CHI DESIGN:DOOR SW+BUZZER)	1	pc	1
<b>43B</b>	P01AE61A0003	RC 600-TOP PANEL BLUE COLOR(LEC DESIGN: 1 DOOR SW)	1	pc	1
<b>43C</b>	P01AE61A0001	RC 600/RN 600-TOP PANEL(White-CHI DESIGN:1 DOOR SW+1 BUZZER)	1	pc	1
<b>44</b>	E2308GR00001	XCK-015-2-02 MAIN SWITCH (3P) 250VAC-6A;	1	pc	1
<b>45</b>	Z01AE61A0012	RC 400/600-RN 400/600-LOCK+N.2 KEY(Door alluminium prof.)	1	pc	1
<b>46A</b>	S41AE62A0013	RC/RN 600 -DOOR(Gasket+Self Closing+Cap+Down Axis)GRAY/All.	1	pc	1
<b>46B</b>	S41AE62A0014	RC/RN 600 -DOOR(Gasket+Self Closing+Cap+Down Axis)BLUE/All.	1	pc	1
<b>46C</b>	S41AE62A0001	RC/RN 600 -DOOR(Gasket+Self Closing+Cap+Down Axis)WHITE/All.	1	pc	1