

Ersatzteilliste-Explosionszeichnung

Elektro-Frittenwanne EFW7 / 1/1 T

[Art. 406372086]



SCALDAPATATE ELETTRICO E700XP
ELECTRIC TOP CHIP SCUTTLE E700XP

PNC	Model	Ref	Pag.	Brand	Version	Notes
371086	E7CSPDC000	a	2	ELX	EL	ELECTRIC CHIP SCUTTLE 400 MM
372086	Z7CSPDC000	b	2	ZAN	EL	ELECTRIC CHIP SCUTTLE 400 MM
373086	A7CSPDC000	c	2	OEM	EL	ELECTRIC CHIP SCUTTLE 400 MM

Index

 General components / componenti generali
 Spare parts list / Lista ricambi

Page

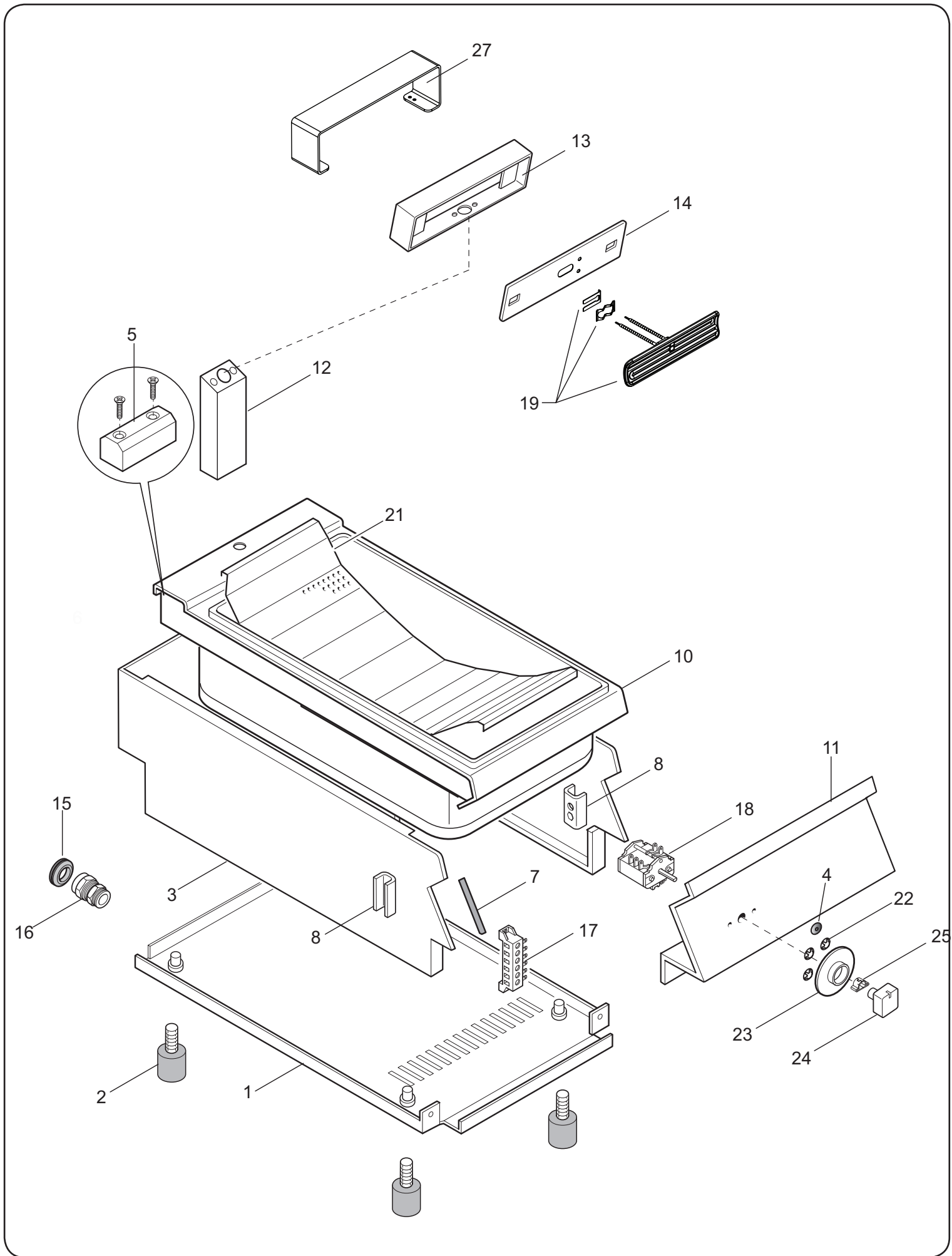
 2
 3

Bold=last change / Grassetto =ultima modifica

 Brand/Marchio: All
 Factory code: 9PDX

Rev. 4

From Ser. Nr.... Up to Ser. Nr....	Ed. 2011-04 Updated 2019-09	Page: 1	Doc No:59785FB00
---------------------------------------	--------------------------------	---------	-------------------------



SCALDAPATATE ELETTRICO E700XP
ELECTRIC TOP CHIP SCUTTLE E700XP

Pos	Factory Code	Spare part Code	Descrizione	Description	Ref./Notes
1	5038A1U00	*	FONDO	BOTTOM PANEL	
2	315252601	026806	PIEDINO CON VITE	SCREW FOOT FOR TOP	
3	85089F700		RIVESTIMENTO LATERALE	EXTERNAL PANEL	ELX
3	85089FA00		RIVESTIMENTO LATERALE	EXTERNAL PANEL	ZAN, OEM
4	541813800		RONDELLA SILIONE	SILICONE WASHER	
5	516860702	0C0137	PIASTRINA PER GIUNZIONE	JOINTING REAR PLATE	
7	543821900	0C2496	GUARNIZIONE PER CRUSCOTTO	GASKET, CONTROL PANEL	
8	527850500	0C0156	PIASTRA FISSAGGIO FIANCHI	SIDE PANEL JOINTING PLATE	
10	87589A901	0C7849	RIPIANO VASCA	TOP CHIP SCUTTLE	ELX
10	87589AY01	0C7852	RIPIANO VASCA	TOP CHIP SCUTTLE	ZAN, OEM
11	085589B102	0C7591	CRUSCOTTO 400	CONTROL PANEL 400	ELX
11	050389CJ01	0C7595	CRUSCOTTO 400	CONTROL PANEL 400	ZAN
11	0800839000	*	CRUSCOTTO 400	CONTROL PANEL 400	OEM
12	806807001	0C0556	SUPPORTO SCATOLA RESISTENZA	SUPPORT BOX HEATING ELEMENT	
13	522878800	0C5289	SCATOLA RESISTENZA	BOX HEATING ELEMENT	
14	533837402	0C5290	SUPPORTO RESISTENZA	SUPPORT FOR HEATING ELEMENT	
15	0246530100	005382	PASSAFILO DIA.22	GROMMET DIA.22	
16	544802300	0C0068	PRESSACAVO	TOGHTENER CORD	
17	639804900	046357	MORSETTIERA	MAIN TERMINAL BLOCK	
18	A05443500	0A2241	COMMUTATORE	SWITCH	
19	61783AV00	0CB560	RESISTENZA INFRAROSSO 1 kW	INFRARED HEATING ELEMENT 1kW	PDX2018-04
21	529879401	0C0554	FALSO FONDO FORATO	FALSE BOTTOM	
22	218912211	069567	MOLLETTA PER GHIERA	SPRING, KNOB RING	
23	548877H00	0C7424	GHIERA PER MANOPOLA	KNOB RING FOR SWITCH	ELX
23	548879R00	0C7572	GHIERA PER MANOPOLA	KNOB RING FOR SWITCH	ZAN, OEM
24	511850G01	0C6670	MANOPOLA COMMUTATORE	KNOB, SWITCH	ELX
*	548877V00	0C7345	ADATTATORE MANOPOLA	KNOB ADAPTER	ELX
24	548878201	0C7232	MANOPOLA COMMUTATORE	KNOB, SWITCH	ZAN
24	548865500	0A5621	MANOPOLA COMMUTATORE	KNOB, SWITCH	OEM
25	214590701	025245	MOLLETTA PER MANOPOLA	SPRING, KNOB	
27	0528845000	*	PROTEZIONE LAMPADA	LAMP GRID	



Electrolux Professional SPA
Viale Treviso 15
33170 Pordenone
www.electrolux-professional.com

NordCap GmbH & Co. KG
Thalendorststraße 15
28307 Bremen
Hauptsitz (Service, Finanzen & Personal, Lager, IT, Marketing)

Telefon: +49 421 48557-0
Telefax: +49 421 488650
E-Mail: bremen@nordcap.de

Die NordCap Verkaufsniederlassungen in Deutschland:

Nord: Hamburg • Ost: Berlin • Süd: Ingelheim • West: Erkrath

by **NordCap**[®]

ZANUSSI
PROFESSIONAL