

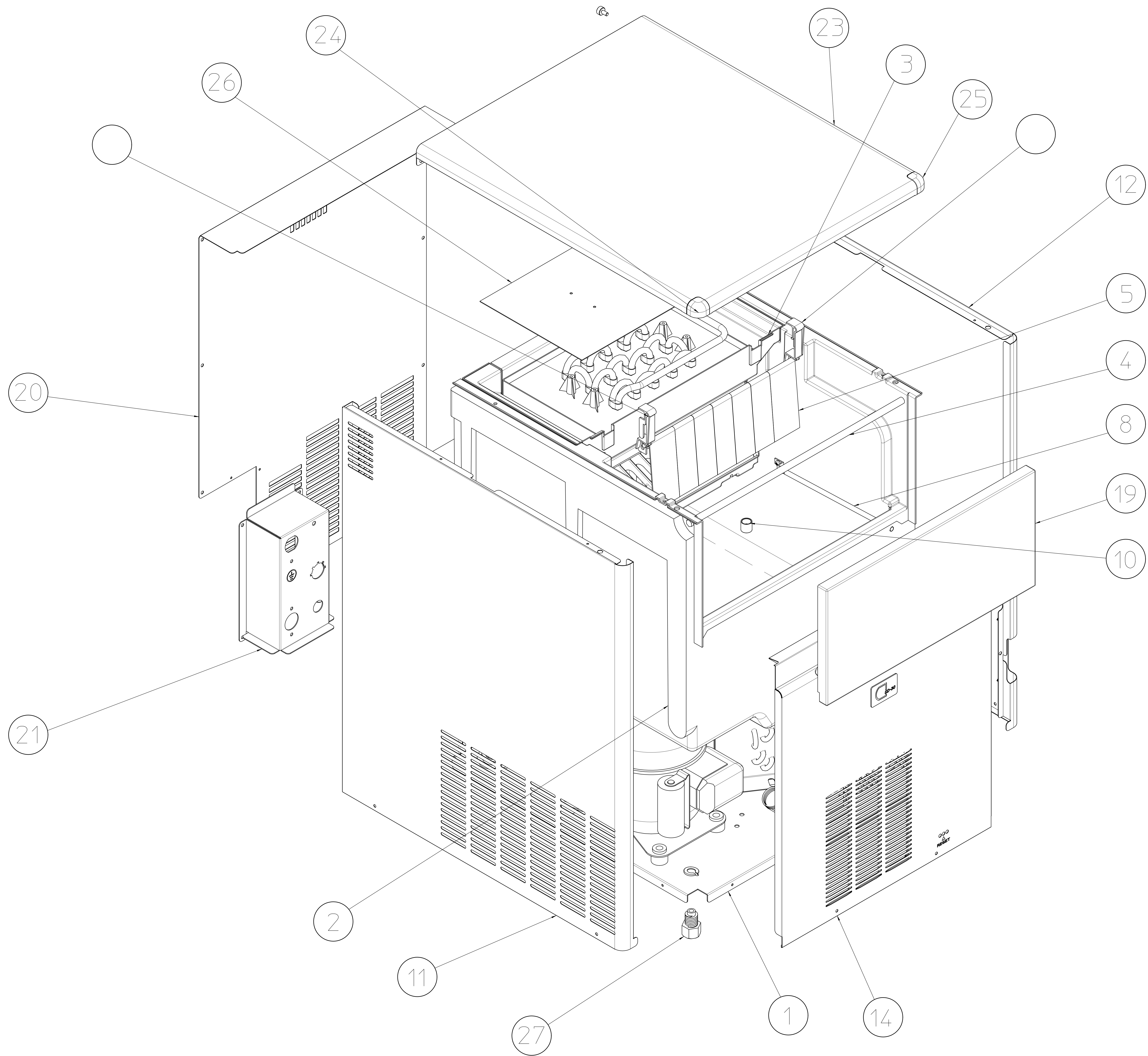
Ersatzteilliste-Explosionszeichnung  
Spare Parts List

**SDH 18 L**

Art. 41330181063

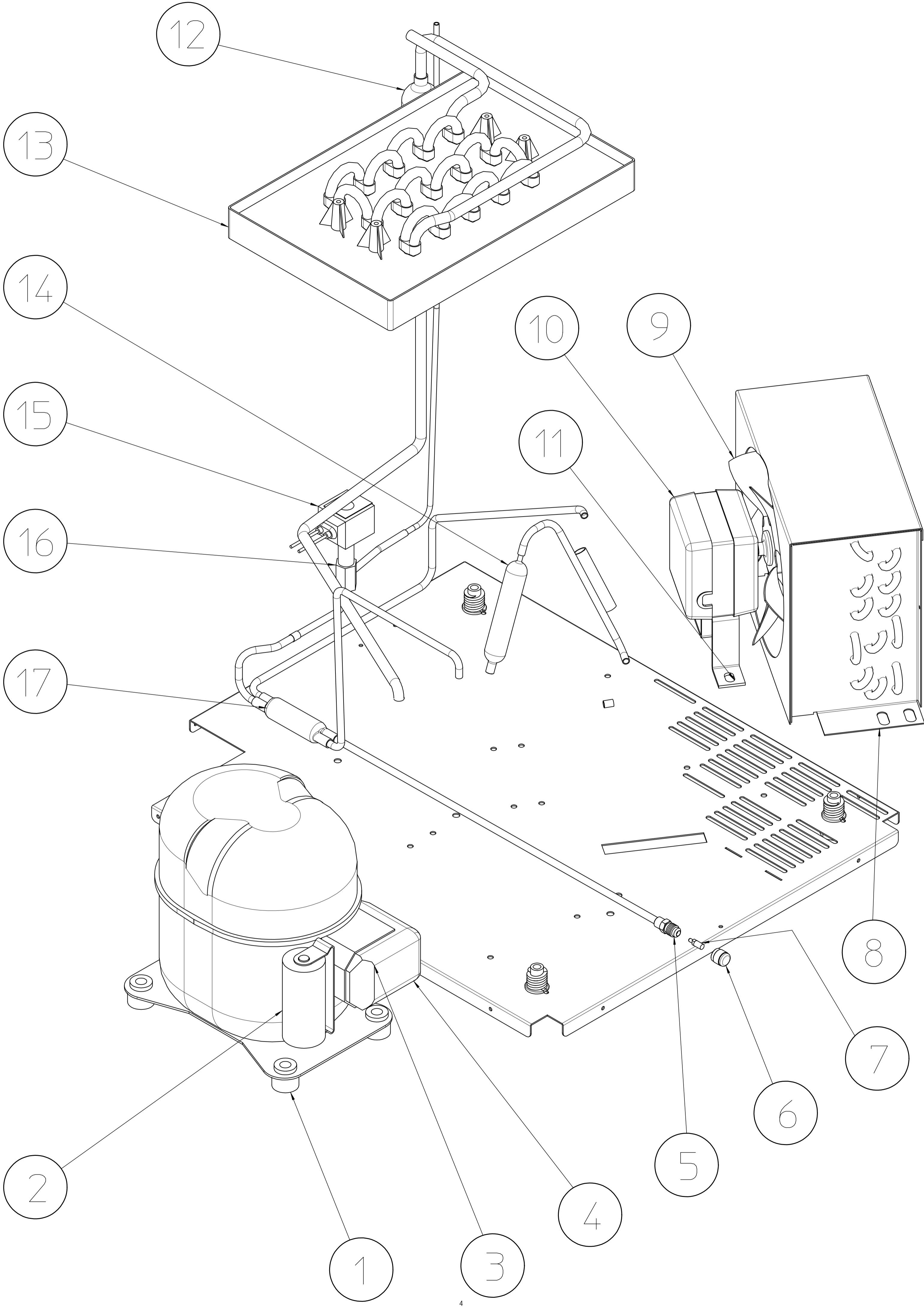
**COOL-LINE-Eiswürfelbereiter**  
(R-290)

REV. 02/2019



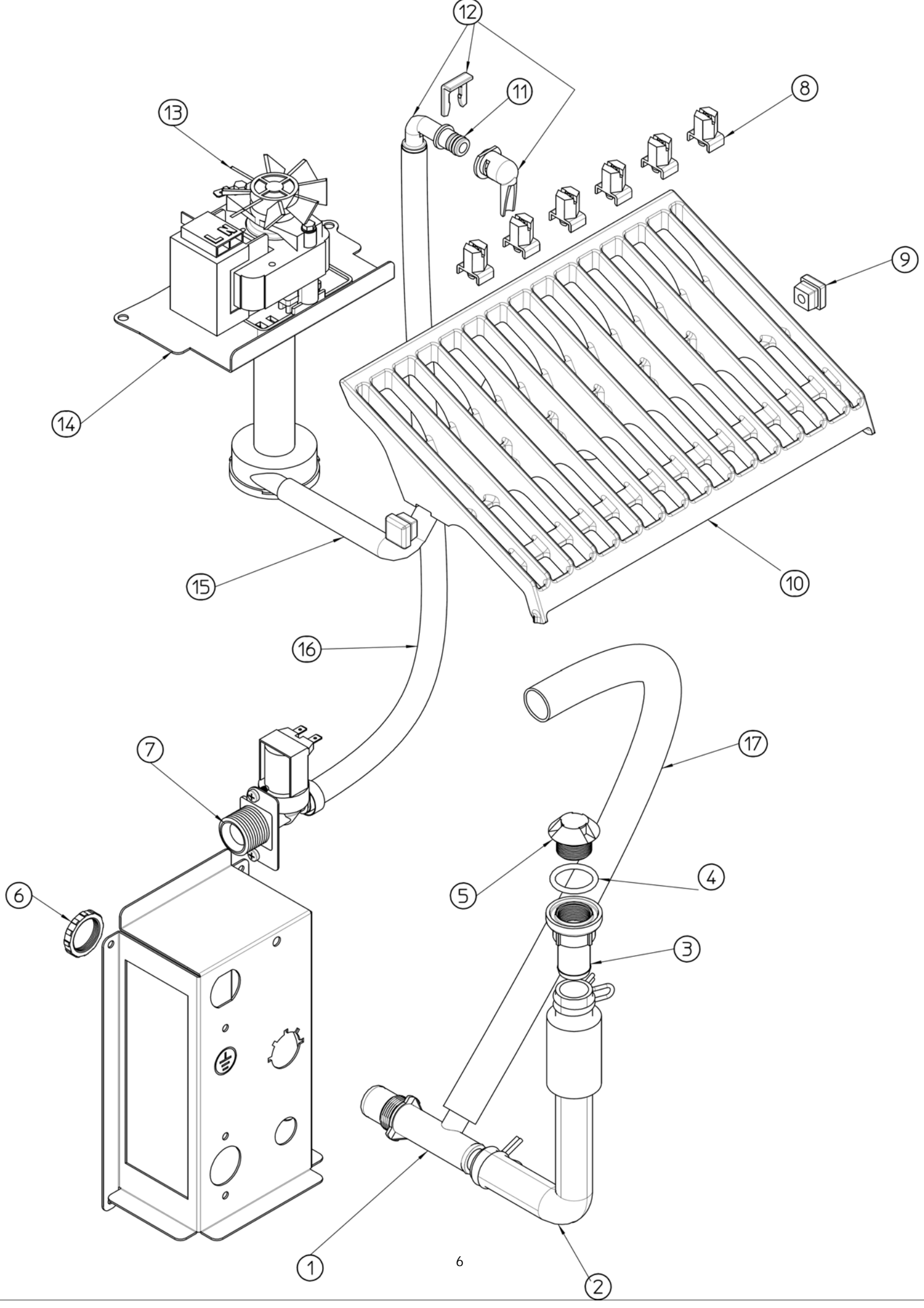
## SDH 18 - UNIT PANELS - ASSIEME MOBILE - ENS. CARROSSERIE - MACHINE GEHAUSE

| ITEM NO<br>POS. NO<br>REP. NO<br>REF. NO | PART NO<br>CODICE<br>REFERENCE<br>STUECK NR | DESCRIPTION               | DESCRIZIONE                   | DESIGNATION               | BESCHREIBUNG                 |
|--|---|---------------------------|-------------------------------|---------------------------|------------------------------|
| 1  | 782692 00                                   | BASE                      | PIASTRA DI BASE               | PLAQUE DE BASE            | GRUNDPLATTE                  |
| 2  | 782121 00                                   | INSULATED BIN ASSY        | ASSIEME CELLA ISOLATA         | ENS. CABINE               | ISOLIEREISSPEICHER           |
| 3  | 661126 00                                   | EVAPORATOR HOUSING        | INVOLUCRO EVAPORATORE         | CHAMBRE INTERIEUR         | CELLE INTERN                 |
| 4  | 661113 00                                   | BIN DOOR BRACKET          | ASTA SPORTELLO                | TIGE PORTE                | KLAPPENACHSE                 |
| 5  | 793238 00R                                  | CURTAIN ASSY              | ASSIEME TENDINA               | ENS. LAMELLE              | ABDECKKLAPPE GESAMTHEIT      |
| 8  | 732017 07                                   | BULB HOLDER               | TUBO PORTABULBO               | TUBE PORTEBULBE           | FUEHLERHALTER                |
| 10                                       | 660570 00                                   | CAP                       | CAPPUCCIO IN PVC              | BOUCHON EN PVC            | PVCSTOPFEN                   |
| 11                                       | 722878 00                                   | LEFT SIDE PANEL S.S.      | PANNELLO SINISTRO INOX        | JOUE GAUCHE ACIER INOX    | LINKE GEHÄUSESEITE EDELSTAHL |
| 12                                       | 722877 00                                   | RIGHT SIDE PANEL S.S.     | PANNELLO DESTRO INOX          | JOUE DROITE ACIER INOX    | RECHTEGEHÄUSESEITE EDELSTAHL |
|  |   |                           |                               |                           |                              |
| 14                                       | 722857 02                                   | FRONTAL PANEL AIR VERSION | PANNELLO ANTER. VERSIONE ARIA | PANNEAU AVANT PAR AIR     | VORDERWAND EDELST. LUFT      |
|  |   |                           |                               |                           |                              |
| 19                                       | 782092 04R                                  | BIN DOOR                  | SPORTELLO                     | PORTE CABINE              | SPEICHERTUER                 |
| 20                                       | 702507 01                                   | REAR PANEL                | PANNELLO POSTERIORE           | PANNEAU POSTERIEUR        | HINTERE ABDECKUNG            |
| 21                                       | 702526 00                                   | METAL BRACKET FOR FITTING | SUPPORTO ATTACCHI             | SUPPORT DE RACCORDS       | METALLTRÄGER                 |
| 23                                       | 781475 07                                   | TOP PANEL                 | PANNELLO SUPERIORE INOX       | ENS. COUVERCLE            | DECKEL GESAMTHEIT            |
| 24                                       | 660884 05                                   | LEFT TOP CAP              | TAPPO IN PLASTICA SINISTRO    | CAPUCHON EN PLAST. GAUCHE | PLASTIK PROFEN LINK          |
| 25                                       | 660884 04                                   | RIGHT TOP CAP             | TAPPO IN PLASTICA DESTRO      | CAPUCHON EN PLAST. DROITE | PLASTIK PROFEN RECHT         |
| 26                                       | Z1AC049                                     | PLASTIC COVER             | COPERTURA IN PLASTICA         | PROTECTION EN PLASTIQUE   | PLASTIKABDECKUNG             |
| 27                                       | 650382 01                                   | LEVELLING FOOT            | PIEDE REGOLABILE              | PIED RÉGLABE              | GERÄTEFUSS                   |
|  |   |                           |                               |                           |                              |
|  |   |                           |                               |                           |                              |
|  |   |                           |                               |                           |                              |



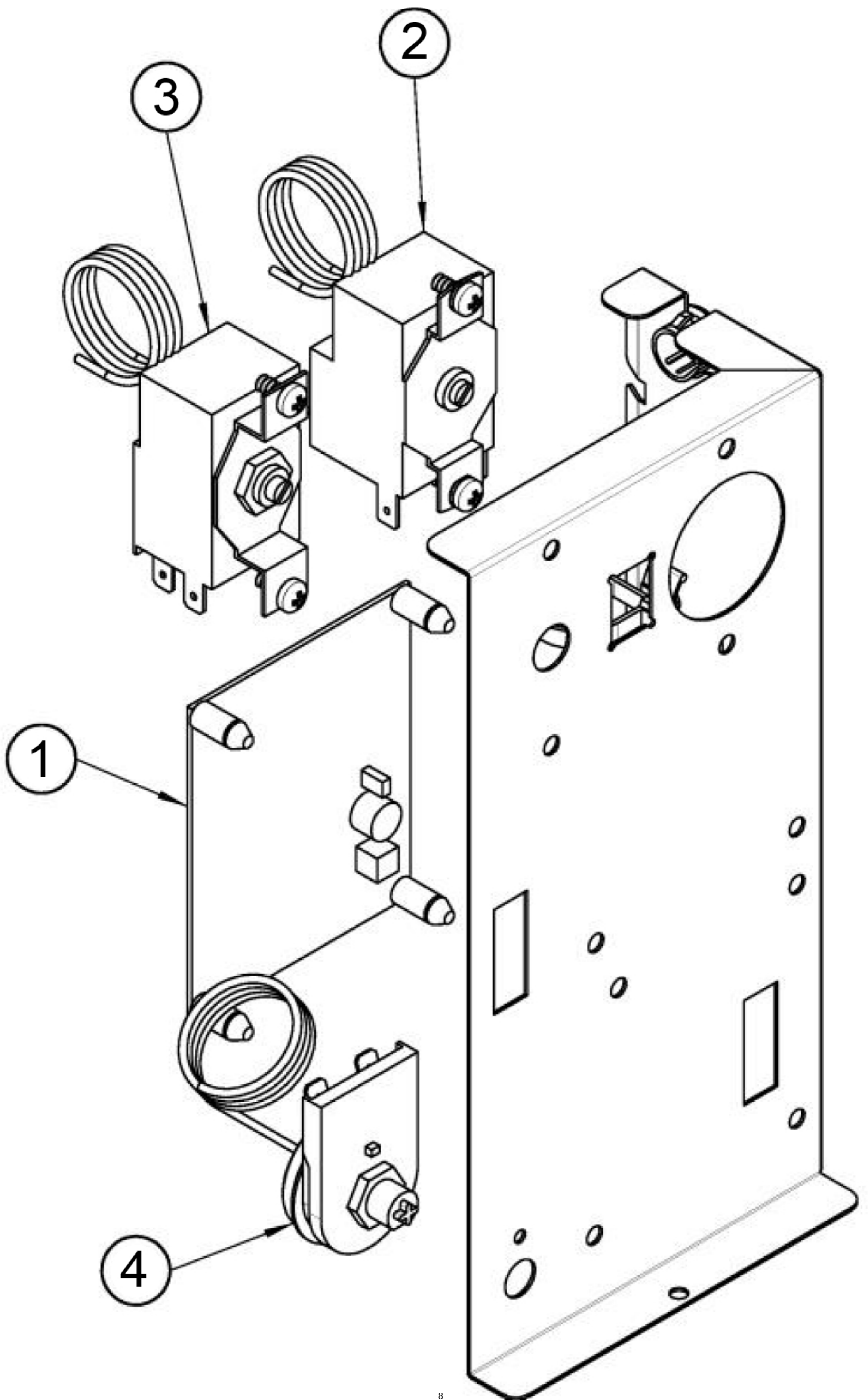
**SDH 18 - REFRIGERANT SYSTEM AIR COOLED - SISTEMA REFRIGERANTE RAFFR. AD ARIA**  
**CIRCUIT FRIGORIFIQUE REFRROID. PAR AIR - LUFTGEKÜHLT GEFRIERSYSTEM**

| ITEM NO<br>POS. NO<br>REP. NO<br>REF. NO | PART NO<br>CODICE<br>REFERENCE<br>STUECK NR | DESCRIPTION          | DESCRIZIONE               | DESIGNATION              | BESCHREIBUNG              |
|--|---|----------------------|---------------------------|--------------------------|---------------------------|
| 1  | 670109 00                                   | COMPRESSOR           | COMPRESSORE               | COMPRESSEUR              | KOMPRESSOR                |
| 2  | CUB 103692                                  | START CAPACITOR      | CONDENSATORE D'AVVIAMENTO | CAPACITE DE DEMARRAGE    | START CONDENSATOR         |
| 3  | CUB 103802                                  | PROTECTOR            | PROTETTORE                | PROTECTEUR               | SCHUTZGERAT               |
| 4  | CUB 103803                                  | RELAY                | RELE'                     | RELAIS                   | RELAIS                    |
| 5  | 650109 00                                   | VALVE BODY           | CORPO VALVOLA             | CORPS DE VANNE           | VENTILGEHAUSE             |
| 6  | 670012 00                                   | VALVE PISTON         | PISTONCINO VALVOLA        | PISTON                   | VENTILKOLBEN              |
| 7  | 650106 00                                   | VALVE CAP            | CAPPUCCIO VALVOLA         | CAPUCHON DE VANNE        | VENTILKLAPPE              |
| 8  | 620275 00                                   | AIR COOLED CONDENSER | CONDENSATORE AD ARIA      | CONDENSEUR               | KONDENSATOR               |
| 9  | 620419 39                                   | FAN BLADE            | VENTOLA                   | HELICE                   | FLUGEL                    |
| 10                                       | 620419 02                                   | FAN MOTOR            | MOTOVENTILATORE           | MOTO-VENTILATEUR         | LÜFTER GESAMTHEIT         |
| 11                                       | 620419 61                                   | FAN MOTOR BRACKET    | STAFFA VENTILATORE        | SUPPORT MOTORVENTILATEUR | LÜFTER MOTOR TRAEGER      |
| 12                                       | 784444 48                                   | ACCUMULATOR ASSY     | ASSIEME ACCUMULATORE      | ENS. ACCUMULATEUR        | SAMMLER UND SAUGLEITUNGEN |
| 13                                       | 784790 00R                                  | EVAPORATOR           | EVAPORATORE               | EVAPORATEUR              | VERDAMPFER                |
| 14                                       | 630003 11                                   | DRIER                | FILTRO DEUMIDIFICATORE    | FILTRE DESHYDRATEUR      | TROCKNER                  |
| 15                                       | 620306 48                                   | HOT GAS VALVE COIL   | BOBINA VALVOLA GAS CALDO  | BOBINE VANNE GAZ CHAUD   | HEISSGAZ VENTIL SPULE     |
| 16                                       | 620306 14                                   | HOT GAS VALVE BODY   | CORPO VALVOLA             | CORPS DE VANNE           | VENTILGEHAUSE             |
| 17                                       | 630137 00                                   | MECHANICAL FILTER    | FILTRO MECCANICO          | FILTRE MECANIQUE         | MECHANISCHFILTERN         |
|  |   |                      |                           |                          |                           |



## SDH 18 WATER SYSTEM - CIRCUITO IDRAULICO - CIRCUIT HYDRAULIQUE - WASSERSYSTEM

| ITEM NO<br>POS. NO<br>REP. NO<br>REF. NO | PART NO<br>CODICE<br>REFERENCE<br>STUECK NR | DESCRIPTION                   | DESCRIZIONE                   | DESIGNATION                    | BESCHREIBUNG                   |
|--|---|-------------------------------|-------------------------------|--------------------------------|--------------------------------|
| 1  | 660224 00                                   | WATER DRAIN FITTING AIR VERS. | RACCORDO A "T" VERS. AD ACQUA | RACCORD EVAC. EAU REFR. AIR    | WASSERABFLUSSANSCHLUSSE - LUFT |
| 2  | 610148 09                                   | STORAGE BIN DRAIN             | TUBO SCARICO CONTENITORE      | TUYAU VIDANGE CONTENEUR        | BEHÄLTERAUSLAUFSCHLAUCH        |
| 3  | 660219 02                                   | BIN DRAIN                     | RACCORDO DI SCARICO           | RACCORD EVACUATION             | ABFLUSSROHR                    |
| 4  | 640134 00                                   | O-RING                        | GUARNIZIONE                   | JOINT TORIQUE                  | SIMMER RING                    |
| 5  | 660211 01                                   | DRAIN FILTER                  | FILTRO SCARICO                | FILTRE EVACUATION EAU          | ABFLUSSFILTER                  |
| 6  | 660535 00                                   | PLASTIC RING NUT              | GHIERA                        | COLLIER DE SERRAGE EN PLAST.   | PLASTIKRING MUTTER             |
| 7  | 650105 66                                   | WATER INLET VALVE - AIR COOL. | ELETTROVALVOLA INGR. ACQUA    | ELECTROV. ARR. EAU - REFR. AIR | WASSEREINLAUFVENTIL - LUFT     |
| 8  | 660558 00                                   | SPRAY JET                     | SPRUZZATORI                   | GICLEURS                       | SPRÜHDÜSEN                     |
| 9  | 660557 00                                   | SPRAY CUP                     | UGELLO SPRUZZATORE            | BOUCHON POUR COLLECTEUR        | STOPFEN                        |
| 10                                       | 661029 00                                   | SPRAY BAR & CHUTE             | ASS. PIASTRA SPRUZZANTE       | ENS. RAMPE D'ARROSAGE          | SPRÜHSYSTEM                    |
| 11                                       | 640041 31                                   | O-RING                        | GUARNIZIONE                   | JOINT TORIQUE                  | SIMMER RING                    |
| 12                                       | 793172 00R                                  | WATER INLET ELBOW ASSY        | ASS. INGR. ACQUA A GOMITO     | ENS. ENTREE EAU COUDEE         | ABGEWINKEL ZULAUFROHR          |
| 13                                       | 620433 08                                   | WATER PUMP                    | POMPA                         | POMPE A EAU                    | WASSER PUMPE                   |
| 14                                       | 724538 00                                   | METAL BRACKET                 | SUPPORTO POMPA                | SUPPORT METALLIQUE             | METALTRAEGER                   |
| 15                                       | 610225 00                                   | PUMP INLET WATER PIPE         | TUBO MANDATA POMPA            | TUYAU EVACUATION               | ABFLUSSROHR                    |
| 16                                       | 281900 01                                   | PLASTIC TUBE - PER METER      | TUBO INGRESSO ACQUA           | TUYAU EN PLASTIQUE - POUR MT.  | PLASTIK ROHR - PRO METER       |
| 17                                       | 281822 00                                   | OVERFLOW DRAIN TUBE           | TUBO SCARICO TROPPO PIENO     | TUYAU VIDANGE TROP PLAIN       | BEHÄLTER ABLAUF                |
|  |   |                               |                               |                                |                                |





## SDH 18 - CONTROL BOX - SCATOLA DI CONTROLLO - BOITE ELECTRIQUE - SCHALTSCHRANK -

| ITEM NO<br>POS. NO<br>REP. NO<br>REF. NO | PART NO<br>CODICE<br>REFERENCE<br>STUECK NR | DESCRIPTION           | DESCRIZIONE             | DESIGNATION            | BESCHREIBUNG           |
|--|---|-----------------------|-------------------------|------------------------|------------------------|
| 1  | 620507 02                                   | ELECTRONIC TIMER      | TIMER ELETTRONICO       | MINUTERIE ELECTRONIQUE | ELEKTRONISCHER TIMER   |
| 2  | 620629 00                                   | BIN THERMOSTAT        | TERMOSTATO CONTENITORE  | THERMOSTAT CONTENEUR   | BEHÄLTER THERMOSTAT    |
| 3  | 620640 00                                   | EVAPORATOR THERMOSTAT | TERMOSTATO EVAPORATORE  | THERMOSTAT EVAPORATEUR | VERDAMPFER THERMOSTAT  |
| 4  | 620599 00                                   | THERMOSTAT - SAFETY   | TERMOSTATO DI SICUREZZA | THERMOSTAT DE SECURITÉ | SICHERHEITS THERMOSTAT |
|  |   |                       |                         |                        |                        |