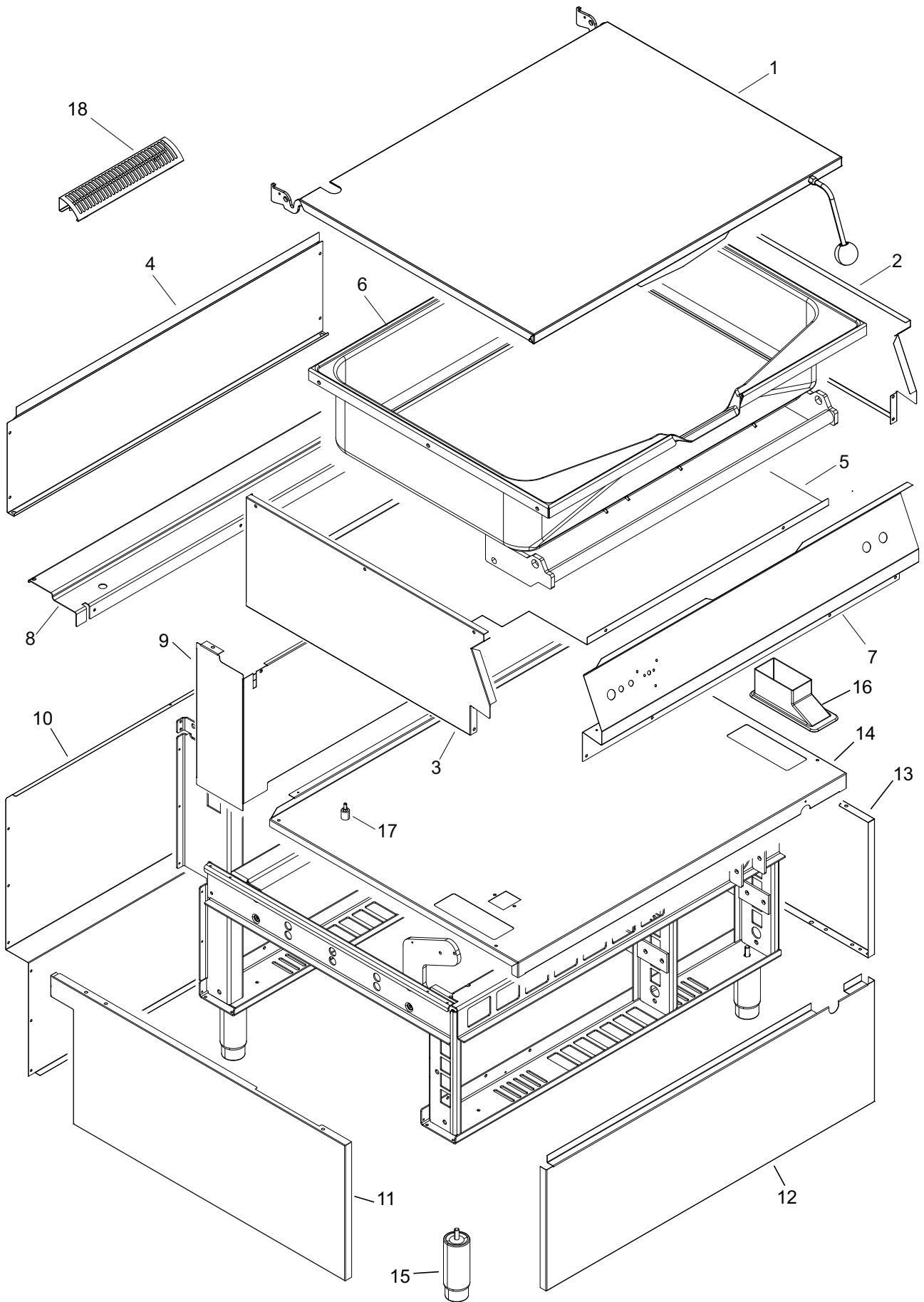
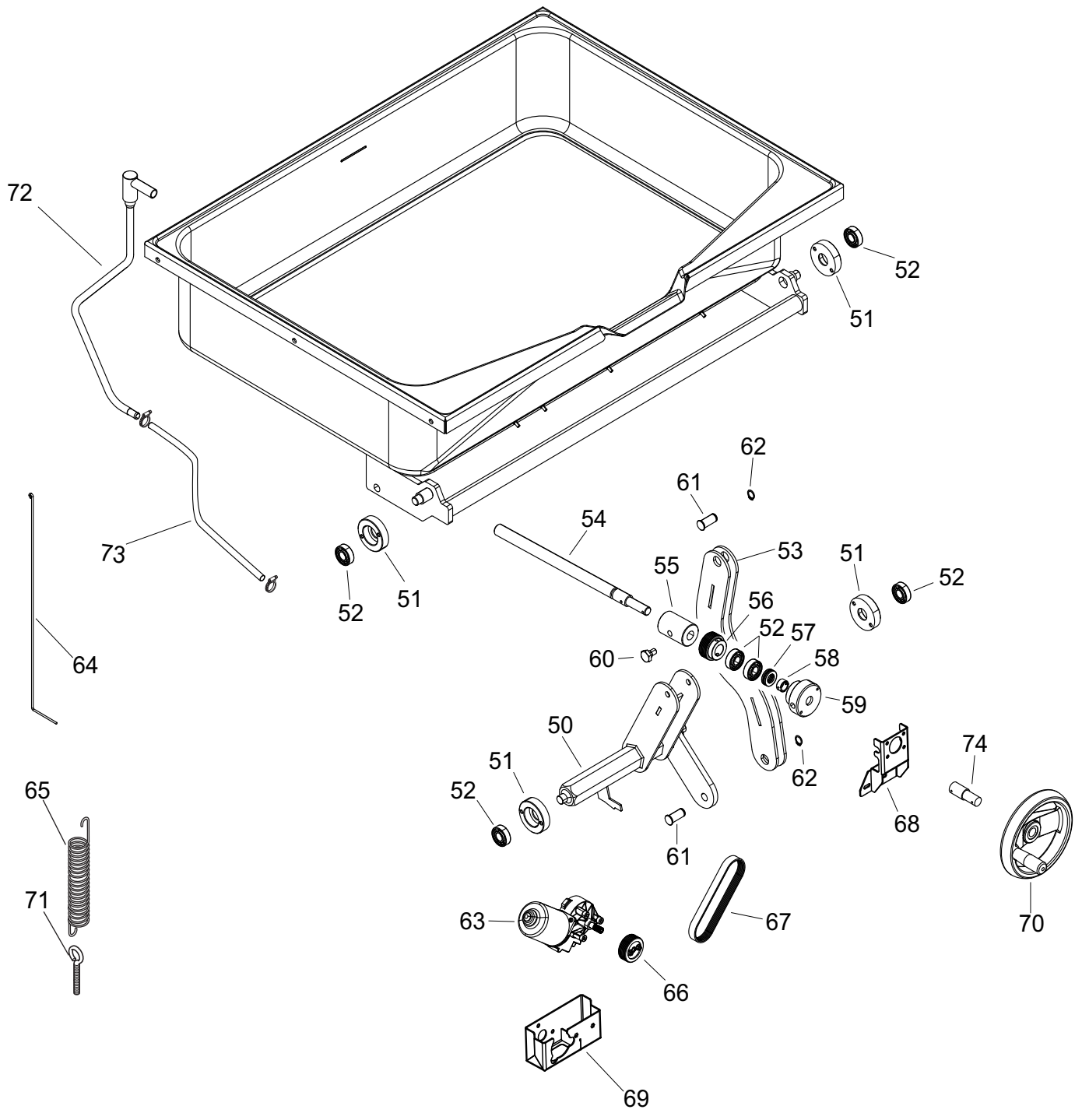


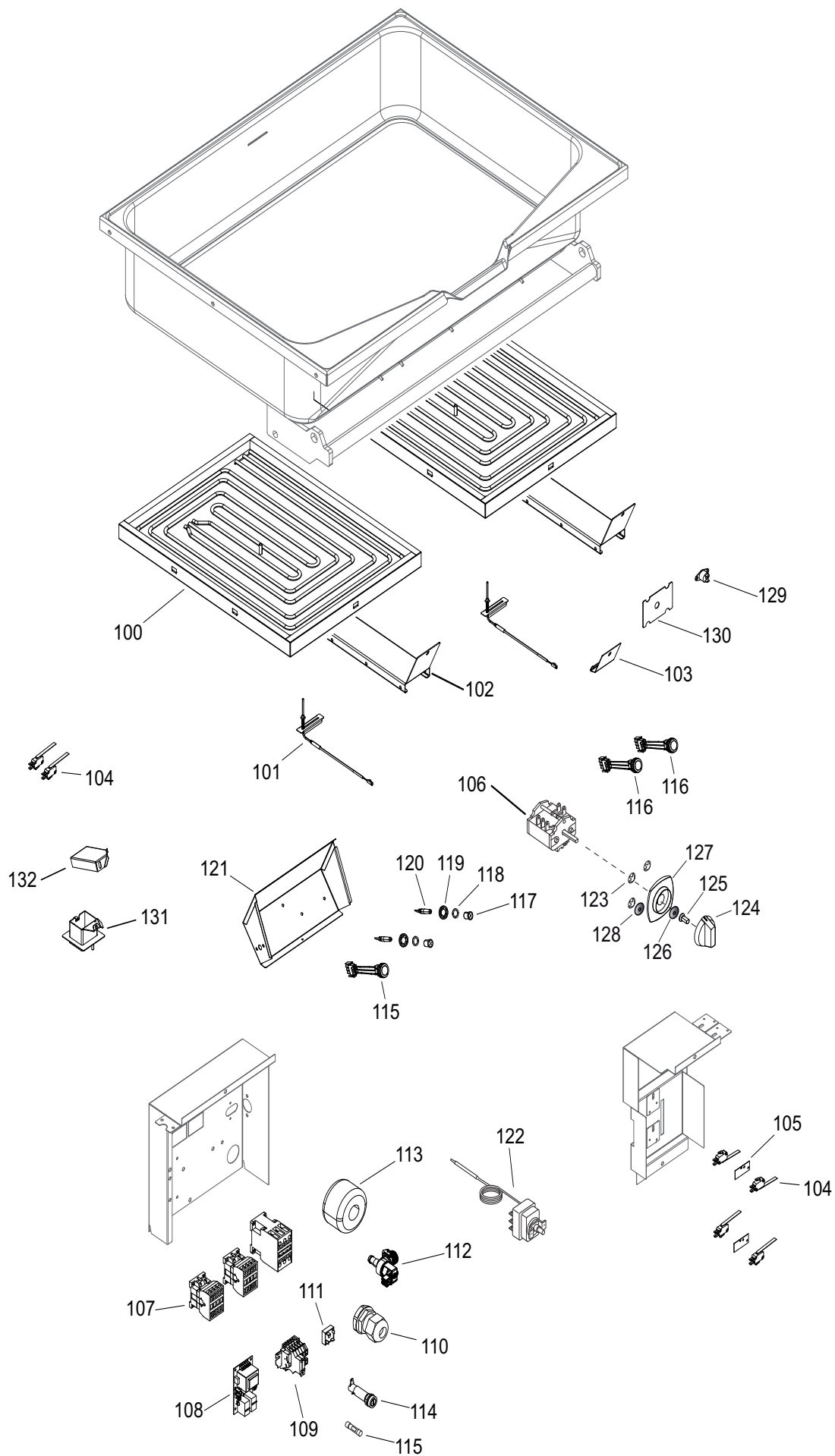
PNC	Model	Ref	Pag.	Brand	Version	Notes
391134	E9BRGHMOF0	a	3..6	ELX	GAS	80LT MILD STEEL BOTTOM
391135	E9BRGHMOFM	b	3..6	ELX	GAS	80LT MILD STEEL BOTTOM AUT
391136	E9BRGHDOF0	c	3..6	ELX	GAS	80LT DUPLEX BOTTOM
391137	E9BRGHDOFM	d	3..6	ELX	GAS	80LT DUPLEX BOTTOM AUT.
391138	E9BRGJMPF0	e	3..6	ELX	GAS	100LT MILD STEEL BOTTOM
391139	E9BRGJMPPM	f	3..6	ELX	GAS	100LT MILD ST. BOTTOM AUT.
391140	E9BRGJDPF0	g	3..6	ELX	GAS	100LT DUPLEX BOTTOM
391141	E9BRGJDPPM	h	3..6	ELX	GAS	100LT DUPLEX BOTTOM AUT.
391143	E9BREHMOF0	l	3..6	ELX	EL	80LT MILD STEEL BOTTOM
391144	E9BREHMOFM	m	3..6	ELX	EL	80LT MILD STEEL BOTTOM AUT.
391145	E9BREHDOF0	n	3..6	ELX	EL	80LT DUPLEX BOTTOM
391146	E9BREHDOFM	o	3..6	ELX	EL	80LT DUPLEX BOTTOM AUT.
391147	E9BREJMPF0	p	3..6	ELX	EL	100LT MILD STEEL BOTTOM
391148	E9BREJMPPM	q	3..6	ELX	EL	100LT MILD ST. BOTTOM AUT.
391149	E9BREJDPF0	r	3..6	ELX	EL	100LT DUPLEX BOTTOM
391150	E9BREJDPPM	s	3..6	ELX	EL	100LT DUPLEX BOTTOM AUT.
392134	Z9BRGHMOF0	a1	3..6	ZAN	GAS	80LT MILD STEEL BOTTOM
392135	Z9BRGHMOFM	b1	3..6	ZAN	GAS	80LT MILD STEEL BOTTOM AUT
392136	Z9BRGHDOF0	c1	3..6	ZAN	GAS	80LT DUPLEX BOTTOM
392137	Z9BRGHDOFM	d1	3..6	ZAN	GAS	80LT DUPLEX BOTTOM AUT.
392138	Z9BRGJMPF0	e1	3..6	ZAN	GAS	100LT MILD STEEL BOTTOM
392139	Z9BRGJMPPM	f1	3..6	ZAN	GAS	100LT MILD ST. BOTTOM AUT.
392140	Z9BRGJDPF0	g1	3..6	ZAN	GAS	100LT DUPLEX BOTTOM
392141	Z9BRGJDPPM	h1	3..6	ZAN	GAS	100LT DUPLEX BOTTOM AUT.

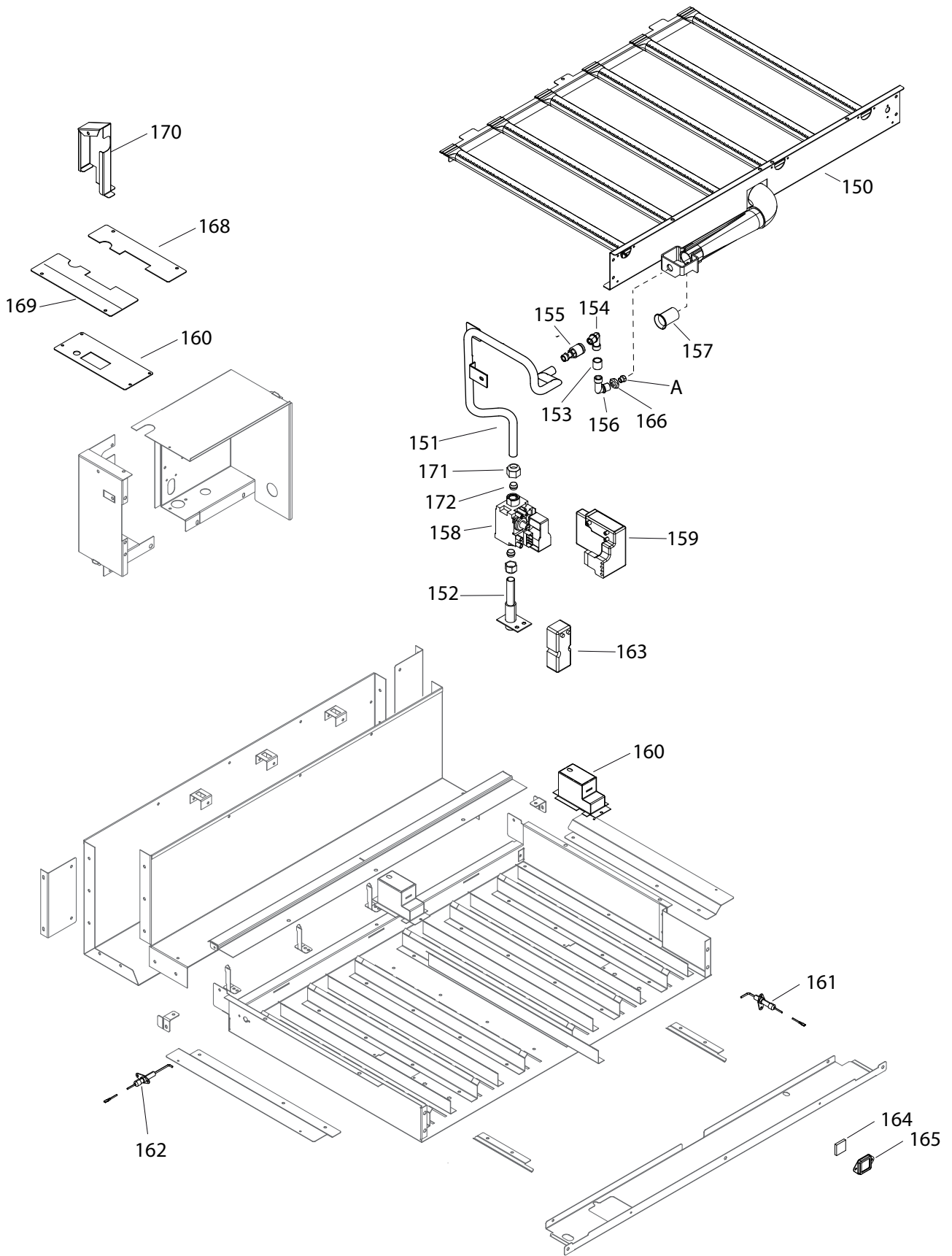
Pag	Index	Indice	Note
3	General componets	Componenti struttura	
4	Lift components	Componenti sollevamento	
5	Electric components	Componenti elettrici	
6	Gas components	Componenti gas	
7,8,9	Spare parts list	Lista ricambi	

PNC	Model	Ref	Pag.	Brand	Version	Notes
392143	Z9BREHMOF0	n1	3...6	ZAN	EL	80LT MILD STEEL BOTTOM
392144	Z9BREHMOFM	o1	3...6	ZAN	EL	80LT MILD STEEL BOTTOM AUT.
392145	Z9BREHDOF0	p1	3...6	ZAN	EL	80LT DUPLEX BOTTOM
392146	Z9BREHDOFM	q1	3...6	ZAN	EL	80LT DUPLEX BOTTOM AUT.
392147	Z9BREJMPF0	r1	3...6	ZAN	EL	100LT MILD STEEL BOTTOM
392148	Z9BREJMPFM	s1	3...6	ZAN	EL	100LT MILD ST. BOTTOM AUT.
392149	Z9BREJDPF0	t1	3...6	ZAN	EL	100LT DUPLEX BOTTOM
392150	Z9BREJDPFM	u1	3...6	ZAN	EL	100LT DUPLEX BOTTOM AUT.
393134	A9BRGHMOF0	a2	3...6	OEM	GAS	80LT MILD STEEL BOTTOM
393135	A9BRGHMOFM	b2	3...6	OEM	GAS	80LT MILD STEEL BOTTOM AUT
393136	A9BRGHDOF0	c2	3...6	OEM	GAS	80LT DUPLEX BOTTOM
393137	A9BRGHDOFM	d2	3...6	OEM	GAS	80LT DUPLEX BOTTOM AUT.
393138	A9BRGJMPF0	e2	3...6	OEM	GAS	100LT MILD STEEL BOTTOM
393139	A9BRGJMPFM	f2	3...6	OEM	GAS	100LT MILD ST. BOTTOM AUT.
393140	A9BRGJDPF0	g2	3...6	OEM	GAS	100LT DUPLEX BOTTOM
393141	A9BRGJDPFM	h2	3...6	OEM	GAS	100LT DUPLEX BOTTOM AUT.
393143	A9BREHMOF0	l2	3...6	OEM	EL	80LT MILD STEEL BOTTOM
393144	A9BREHMOFM	m2	3...6	OEM	EL	80LT MILD STEEL BOTTOM AUT.
393145	A9BREHDOF0	n2	3...6	OEM	EL	80LT DUPLEX BOTTOM
393146	A9BREHDOFM	o2	3...6	OEM	EL	80LT DUPLEX BOTTOM AUT.
393147	A9BREJMPF0	p2	3...6	OEM	EL	100LT MILD STEEL BOTTOM
393148	A9BREJMPFM	q2	3...6	OEM	EL	100LT MILD ST. BOTTOM AUT.
393149	A9BREJDPF0	r2	3...6	OEM	EL	100LT DUPLEX BOTTOM
393150	A9BREJDPFM	s2	3...6	OEM	EL	100LT DUPLEX BOTTOM AUT.









BRASIERA 80/100L E900 XP
BRATT PAN 80/100L E900 XP

<i>Pos</i>	<i>Factory Code</i>	<i>6DGT Code</i>	<i>Descrizione</i>	<i>Description</i>	<i>Ref./Note</i>
			Pagina 3	Page 3	
1	087089CV01	0C7398	ASSIEME COPERCHIO	COMPLETE COVER	100L
1	087089ML00	0C7957	ASSIEME COPERCHIO	COMPLETE COVER	80L
2	050389W701	*	FIANCO SX VASCA	WELL SIDE PANEL, LEFT	
3	050389W801	*	FIANCO DX VASCA	WELL SIDE PANEL, RIGHT	
4	050389VY02	*	SCHIENALE VASCA	WELL BACK PANEL	100L - GAS
4	05038A0401	*	SCHIENALE VASCA	WELL BACK PANEL	80L - GAS
4	050389MT01	*	SCHIENALE VASCA	WELL BACK PANEL	100L - EL
4	050389MU01	*	SCHIENALE VASCA	WELL BACK PANEL	80L - EL
5	050389WG02	*	FONDO RIVESTIMENTO VASCA	WELL BOTTON PANEL	100L - EL
5	050389WH02	*	FONDO RIVESTIMENTO VASCA	WELL BOTTON PANEL	80L - EL
6	087589AU01	*	ASSIEME VASCA DUPLEX	WELL, BRAT PAN DUPLEX	100L - EL
6	087589B601	*	ASSIEME VASCA DUPLEX	WELL, BRAT PAN DUPLEX	100L - GAS
6	087589B701	*	ASSIEME VASCA DUPLEX	WELL, BRAT PAN DUPLEX	80L - EL
6	087589B801	*	ASSIEME VASCA DUPLEX	WELL, BRAT PAN DUPLEX	80L - GAS
6	087589B901	*	ASSIEME VASCA FERRO	WELL, BRAT PAN MILD STEEL	100L - EL
6	087589BB01	*	ASSIEME VASCA FERRO	WELL, BRAT PAN MILD STEEL	100L - GAS
6	087589BC01	*	ASSIEME VASCA FERRO	WELL, BRAT PAN MILD STEEL	80L - EL
6	087589BD01	*	ASSIEME VASCA FERRO	WELL, BRAT PAN MILD STEEL	80L - GAS
7	083089FR01	0C7397	CRUSCOTTO BRAS. AUTOMATICA	CONTROL PANEL AUTOMATIC B.P.	ELX - 100L - EL
7	083089FS01	0C7396	CRUSCOTTO BRAS. AUTOMATICA	CONTROL PANEL AUTOMATIC B.P.	ELX - 100L - GAS
7	083089FV01	*	CRUSCOTTO BRAS. AUTOMATICA	CONTROL PANEL AUTOMATIC B.P.	ELX - 80L - EL
7	083089FX01	*	CRUSCOTTO BRAS. AUTOMATICA	CONTROL PANEL AUTOMATIC B.P.	ELX - 80L - GAS
7	083089FZ00	*	CRUSCOTTO BRAS. MANUALE	CONTROL PANEL MANUAL B.P.	ELX - 100L - EL
7	083089G100	*	CRUSCOTTO BRAS. MANUALE	CONTROL PANEL MANUAL B.P.	ELX - 80L - EL
7	083089G200	*	CRUSCOTTO BRAS. MANUALE	CONTROL PANEL MANUAL B.P.	ELX - 100L - GAS
7	083089G300	*	CRUSCOTTO BRAS. MANUALE	CONTROL PANEL MANUAL B.P.	ZAN - 100L - GAS
7	083089G400	*	CRUSCOTTO BRAS. MANUALE	CONTROL PANEL MANUAL B.P.	ELX - 80L - GAS
7	083089G700	*	CRUSCOTTO BRAS. MANUALE	CONTROL PANEL MANUAL B.P.	ZAN - 80L - GAS
7	083089G800	*	CRUSCOTTO BRAS. AUTOMATICA	CONTROL PANEL AUTOMATIC B.P.	ZAN - 80L - GAS
7	083089G900	*	CRUSCOTTO BRAS. AUTOMATICA	CONTROL PANEL AUTOMATIC B.P.	ZAN - 100L - GAS
7	083089GA00	*	CRUSCOTTO BRAS. MANUALE	CONTROL PANEL MANUAL B.P.	ZAN - 80L - EL
7	083089GB00	0C7953	CRUSCOTTO BRAS. AUTOMATICA	CONTROL PANEL AUTOMATIC B.P.	ZAN - 80L - EL
7	083089GC00	*	CRUSCOTTO BRAS. MANUALE	CONTROL PANEL MANUAL B.P.	ZAN - 100L - EL
7	083089GD00	*	CRUSCOTTO BRAS. AUTOMATICA	CONTROL PANEL AUTOMATIC B.P.	ZAN - 100L - EL
7	083089GF00	*	CRUSCOTTO BRAS. MANUALE	CONTROL PANEL MANUAL B.P.	OEM - 80L - GAS
7	083089GG00	*	CRUSCOTTO BRAS. AUTOMATICA	CONTROL PANEL AUTOMATIC B.P.	OEM - 80L - GAS
7	083089GH00	*	CRUSCOTTO BRAS. MANUALE	CONTROL PANEL MANUAL B.P.	OEM - 100L - GAS
7	083089GJ00	*	CRUSCOTTO BRAS. AUTOMATICA	CONTROL PANEL AUTOMATIC B.P.	OEM - 100L - GAS
7	083089GK00	*	CRUSCOTTO BRAS. MANUALE	CONTROL PANEL MANUAL B.P.	OEM - 80L - EL
7	083089GL00	*	CRUSCOTTO BRAS. AUTOMATICA	CONTROL PANEL AUTOMATIC B.P.	OEM - 80L - EL
7	083089GM00	*	CRUSCOTTO BRAS. MANUALE	CONTROL PANEL MANUAL B.P.	OEM - 100L - EL
7	083089GN00	0C7956	CRUSCOTTO BRAS. AUTOMATICA	CONTROL PANEL AUTOMATIC B.P.	OEM - 100L - EL
8	083089FQ00	*	PANNELLO POSTERIORE RIPIANO	WORK TOP BACK PANEL	100L - EL
8	083089FT00	*	PANNELLO POSTERIORE RIPIANO	WORK TOP BACK PANEL	80L - EL
8	083089FU00	*	PANNELLO POSTERIORE RIPIANO	WORK TOP BACK PANEL	100L - GAS
8	083089FW00	*	PANNELLO POSTERIORE RIPIANO	WORK TOP BACK PANEL	80L - GAS
9	050389W501	*	SCHIENALE BASE	BASE BACK PANEL	100L - EL
9	050389W601	*	SCHIENALE BASE	BASE BACK PANEL	80L - EL
9	050389VZ01	*	SCHIENALE BASE	BASE BACK PANEL	100L - GAS
9	05038A0W01	*	SCHIENALE BASE	BASE BACK PANEL	80L - GAS
10	050389VZ01	*	SCHENALE BASE	BACK PANEL	100L - GAS
10	050389W501	*	SCHENALE BASE	BACK PANEL	100L - EL
10	050389W601	*	SCHENALE BASE	BACK PANEL	80L - EL
10	05038A0W01	*	SCHENALE BASE	BACK PANEL	80L - GAS
11	050389N401	*	FIANCO BASE SINISTRO	SIDE PANEL, LEFT	
12	050389W301	*	PANNELLO ANTERIORE	FRONT PANEL	100L
12	050389W401	*	PANNELLO ANTERIORE	FRONT PANEL	80L

BRASIERA 80/100L E900 XP
BRATT PAN 80/100L E900 XP

<i>Pos</i>	<i>Factory Code</i>	<i>6DGT Code</i>	<i>Descrizione</i>	<i>Description</i>	<i>Ref./Note</i>
13	050389N301	*	FIANCO BASE DESTRO	SIDE PANEL, RIGHT	
14	050389N001	*	PANNELLO COPERTURA BASE	COVER PANEL	100L – EL
14	050389N101	*	PANNELLO COPERTURA BASE	COVER BASE PANEL	80L – EL
14	05038A1R01	*	PANNELLO COPERTURA BASE	COVER BASE PANEL	100L - GAS
14	05038A1S01	*	PANNELLO COPERTURA BASE	COVER BASE PANEL	80L - GAS
15	0835856900	0C0204	PIEDE	FOOT	
16	0541813C00	*	PROTEZIONE CERNIERA	HINGE COVER	
17	0315252601	026806	PIEDINO IN GOMMA	FOOT RUBBER	
18	050389LP00	0C7333	GRIGLIA CAMINO L. 400 mm	CHIMNEY GRIDS 400 mm	GAS
18	050389LQ00	0C7569	GRIGLIA CAMINO L. 200 mm	CHIMNEY GRIDS 200 mm	GAS
			Pagina 4	Page 4	
50	085589CC01	0C7406	ASSIEME LEVA SOLLEVAMENTO	LEVEL, TILTING	
51	0516864901	0C4332	SUPPORTO CUSCINETTO	BEARING SUPPORT	
52	0835834700	056820	CUSCINETTO RADIALE	RADIAL BEARING	
53	085589CD00	0C7399	ASSIEME PUNSTONE	STRUT	
54	051489B901		VITE	SCREW	
55	0516865301	0C0675	MADREVITE	DIE	
56	051489BA00		PULEGGIA	PULLEY	
57	0835834600	056821	CUSCINETTO ASSIALE	AXIAL BEARING	
58	051489B701	0C7408	BOCCOLA	BUSH	
59	051489BP00		SUPPORTO VITE	SCREW SUPPORT	
60	0214126800	051365	PERNO	PIN	
61	051489B600	0C7407	PERNO	PIN	
62	0219001411	0C5172	SEEGER	SEEGER	
63	0611809A00	0C7401	MOTORIDUTTORE	MOTOREDUCER	AUTOMATIC
64	051489BB00		ASTA MICRO COPERCHIO	SHAFT FOR COVER MICRO	
65	0516865201	0C0666	MOLLA PER COPERCHIO	PRING LID	
66	051489BD00	*	PULEGGIA MOTORE	PULLEY, MOTOREDUCER	AUTOMATIC
67	0547800100	002148	CINGHIA	BELT, MOTOR	AUTOMATIC
68	050689BJ01	*	SUPPORTO MOTORE	SUPPORT, MOTOR	AUTOMATIC
69	050689BK01	*	FISSAGGIO MOTORE	FIXING, MOTOR	AUTOMATIC
70	0835829000	0A5164	VOLANTINO	CRANK	MANUAL
71	0A05144900	0A2551	OCCHIELLO	SCREW, SPRING	
72	083089FL00	*	ASSIEME GETTO EROGATORE	TAP, WATER	
73	0544819400	0C5829	TUBO EPDM	EPDM PIPING	
74	0516871100	0C1438	PROLUNGA VOLANTINO	EXTENSION CRANK	MANUAL
			Pagina 5	Page 5	
100	0617839A00	0C7411	RESISTENZA 8,5 kW	HEATING ELEMENT	100L – EL
100	0617839B00	*	RESISTENZA 6,5 kW	HEATING ELEMENT	80L – EL
101	0831857800	0C7421	TERMOCOPPIA	THERMOCOUPLE	
102	050489JB00	*	SUPPORTO RESISTENZA	HEATING ELEMENT SUPPORT	EL
103	050689BH00		PIASTRINA FISSAGGIO LIMITATORE	LIMITER FIXING PLATELET	
104	0640800800	053671	MICROINTERRUTTORE	MICROSWITCH	
105	0246214023	045404	PIASTRINA ISOLANTE	INSULATION PLATELET	AUTOMATIC
106	0641805200	0C7415	INTERRUTTORE+POTENZIOMETRO	SWITCH + POTENTIOMETER	
107	0648807400	006879	CONTATTORE K3 18A	CONTACTOR	EL
108	0675860000	0C7416	SCHEDA CONTROLLO TERMOCOPPIE	THERMOCOUPLE BOARD	
109	0639806600	006854	MORSETTIERA	TERMINAL BOARD	EL
109	0639813400	*	MORSETTIERA	TERMINAL BOARD	GAS
110	0544802200	0C2328	PRESSACAVO	FAIRLEAD	GAS
110	0544802400	0C3528	PRESSACAVO	FAIRLEAD	EL
111	0675830800	006147	RADDRIZZATORE	RECTIFIER	AUTOMATIC
112	0696807400	0C4984	ELETTROVALVOLA ACQUA	WATER VALVE	
113	0624805601	006159	TRASFORMATORE	TRASFORMER	AUTOMATIC
114	0652800401	056582	PORTAFUSIBILE	FUSE HOLDER	
115	0452140500	057783	FUSIBILE 5x20	FUSE	
116	0640804D00	*	PULSANTE	PUSH BOTTON	
117	0655800100	*	LENTE VERDE	GREEN LENS	

BRASIERA 80/100L E900 XP
BRATT PAN 80/100L E900 XP

Pos	Factory Code	6DGT Code	Descrizione	Description	Ref./Note
117	0655800200	0C2182	LENTE ARANCIO	ORANGE LENS	
118	0543826400	0C2183	OR	OR	
119	0527815500	0C2184	PIASTRINA FISSAGGIO	FIXING FLANGE	
120	0660806900	0C2585	LAMPADINA	LAMP	
*	0876800002	005010	ASSIEME LAMPADA VERDE	COMPLETE LAMP, GREEN	
*	0876800102	005011	ASSIEME LAMPADA ARANCIO	COMPLETE LAMP, ORANGE	
121	050489JH00	*	PROTEZIONE COMP. EL.	ELECTRICAL CASE PROTECTION	
122	0646810102	005931	LIMITATORE	LIMITER	GAS
123	0218912211	069567	MOLLETTA PER GHIERA	RING, RING KNOB	
124	0511850G01	0C6670	MANOPOLA	KNOB	ELX
124	0548878201	0C7232	MANOPOLA	KNOB	ZAN
124	0548865500	0A5621	MANOPOLA	KNOB	OEM
125	0548877V00	0C7345	ADATTATORE MANOPOLA	KNOB ADAPTER	ELX
126	0543821000	053816	GUARNIZIONE MANOPOLA	KNOB GASKET	
127	054887A601	*	GHIERA	RING, KNOB	
127	054887A900	*	GHIERA	RING, KNOB	
128	0541813800	0C6171	RONDELLA IN SILICONE	SILICONE WASHER	
129	0646814700	*	CLICKSON	CLICKSON	EL
130	0646814700	*	PIASTRINA FISSAGGIO CLICKSON	CLICKSON PLATELET	
131	050489JT01	*	PROTEZIONE CAVI	WIRING PROTECTION	EL
132	0507899P00	*	COPERCHIO PROTEZIONE CAVI	COVER WIRING PROTECTION	EL
			Pagina 6	Page 6	
150	083089FP01	*	BRUCIATORE	BURNER	80L – GAS
150	083089F702	0C7420	BRUCIATORE	BURNER	100L – GAS
151	051589AK01	*	CONDUTTURA GAS	PIPING GAS	GAS
152	080589AS01	0C7417	TUBO ENTRATA GAS	INLET PIPING GAS	GAS
153	051589AC00	0C7410	MANICOTTO	COUPLING	GAS
154	0511805801	059375	CONDOTTO GAS	NUT	GAS
155	0835876100	0C7409	GIUNTO ROTANTE	ROTATING CONNECTION	GAS
156	0511805401	059250	PORTAUGELLO	NOZZLE HOLDER	GAS
157	0215086000	051774	BOCCOLA REGOLAZIONE ARIA	BUSHING FOR AIR REGULATION	GAS
158	083089FM00	*	VALVOLA GAS	GAS VALVE	GAS
159	0624811700	*	CENTRALINA CONTROLLO FIAMMA	GAS VALVE BOARD	GAS
160	050489JD02	*	SCATOLA TERMOCOPIA	BOX FOR THERMOCOUPLE	GAS
161	083089F501	0C7419	CANDELINA ACCENSIONE	IGNITION ROD	GAS
162	083089F401	0C7418	CANDELINA RILEVAZIONE	CHECK FLAME ROD	GAS
163	0624804700	004240	ACCENDITORE	IGNITION BOARD	GAS
164	0275290025	057400	VETRINO	SLIDE	GAS
165	0206260400	057382	CORNICE PER VETRINO	FRAME FOR SLIDE	GAS
166	0214105101	020997	CONTRODADO	NUT	GAS
167	0543844L00	*	GUARNIZIONE ACQUA	WATER GASKET	GAS
168	050589D700	*	PROTEZIONE INTERNA	INTERNAL PROTECTION	GAS
169	050589D600	*	PROTEZIONE ESTERNA	EXTERNAL PROTECTION	GAS
170	050489L001	*	PROTEZIONE ENTRATA CAVI	INLET WIRING PROTECTION	GAS
171	0516847000	*	DADO	NUT	GAS
172	0515801715	*	OGIVA	OGIVA	GAS

A - Ugello bruciatore / Burner nozzle		
Code	6DGT	Reference
		2H/2E+ G20 20mbar
		2H G20 25mbar
		2ELL G25 20mbar
		2L G25 25mbar
		3+3B/P G30 30mbar
		3B/P G30 37mbar
		3B/P G30 50mbar
		2S G25.1 25mbar