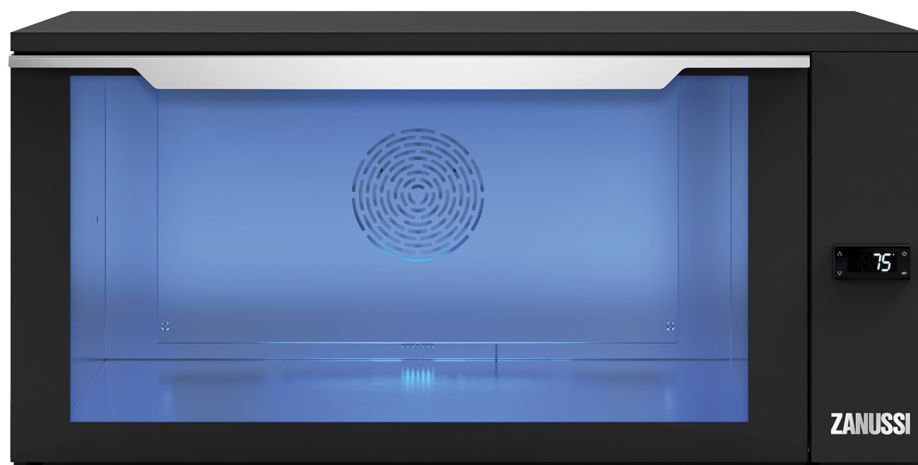


# Ersatzteilliste-Explosionszeichnung

## Warmhaltevitrine SAFEBOX PIZZA

[Art. 435700401]



## SAFE BOX

PNC	Model	Ref	Brand	Notes
240025	SBXES5C	A	EPR	SLIDING DOOR 220-240V 1N 50Hz 590W EU SHUKO
<b>240027</b>	<b>SBXED5CS</b>	<b>J</b>	<b>EPR</b>	<b>DROP DOOR 220-240V 1N 50Hz 590W SHUKO</b>
240038	SBXES5G	B	EPR	SLIDING DOOR 220-240V 1N 50Hz 590W UK
<b>240039</b>	<b>SBXES5N</b>	<b>H</b>	<b>EPR</b>	<b>SLIDING DOOR 220-240V 1N 50Hz 590W W/O PLUG</b>
240040	SBXZS5C	C	ZAN	SLIDING DOOR 220-240V 1N 50Hz 590W EU SHUKO
<b>240041</b>	<b>SBXZD5CS</b>	<b>K</b>	<b>ZAN</b>	<b>DROP DOOR 220-240V 1N 50Hz 590W SHUKO</b>
<b>240042</b>	<b>SBXED5GS</b>	<b>L</b>	<b>EPR</b>	<b>DROP DOOR 220-240V 1N 50Hz 590W UK</b>
<b>240425</b>	<b>SBXES5CS</b>	<b>D</b>	<b>EPR</b>	<b>SLIDING DOOR 220-240V 1N 50Hz 590W SHUKO</b>
<b>240428</b>	<b>SBXES5GS</b>	<b>E</b>	<b>EPR</b>	<b>SLIDING DOOR 220-240V 1N 50Hz 590W UK</b>
<b>240429</b>	<b>SBXES5NS</b>	<b>G</b>	<b>EPR</b>	<b>SLIDING DOOR 220-240V 1N 50Hz 590W ROW W/O PLUG</b>
<b>240440</b>	<b>SBXZS5CS</b>	<b>F</b>	<b>ZAN</b>	<b>SLIDING DOOR 220-240V 1N 50Hz 590W SHUKO</b>

### Index

General components / Componenti struttura  
 Spare parts list / Lista ricambi

### Page

2  
 3

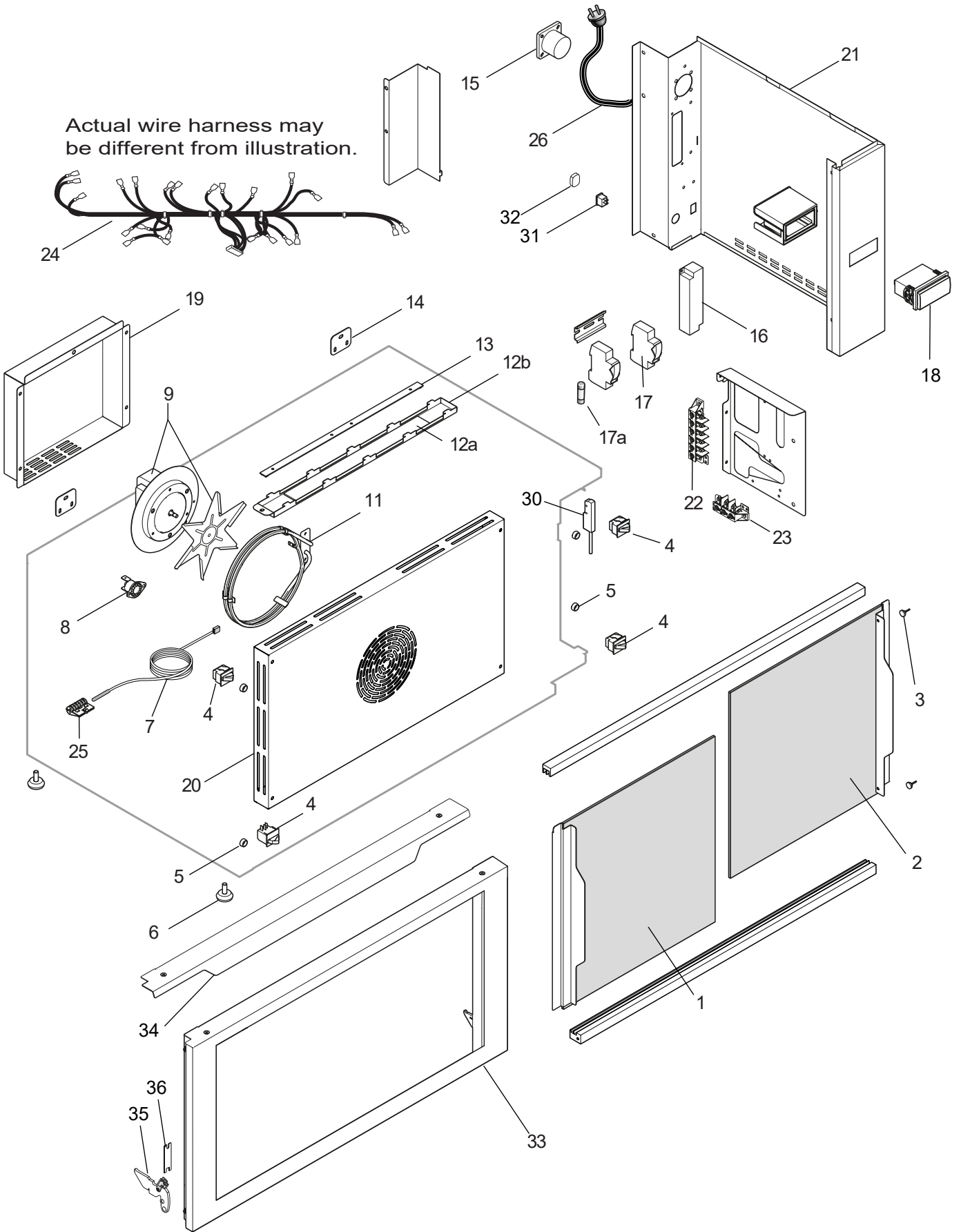
**Bold=last change / Grassetto =ultima modifica**

Rev. 2

From Ser. Nr. 1432 (2021) Up to Ser. Nr.	Ed. document publication 2022 - 03 Ed. page revision 2022 - 07	Page: 1	<b>Doc No: 595405900</b>
---	---	---------	--------------------------

# SAFE BOX EU

Actual wire harness may be different from illustration.



## SAFE BOX EU

Pos	Factory Code	Spare Code	Descrizione	Description	V	W & T	Ref./Notes
1	0835407F01	0CBAIH	ASSIEME PORTA VETRO SINISTRA	LEFT SLIDING GLASS DOOR ASSEMBLY	X	X	A B C D E F G H
2	0835407D01	0CBAIL	ASSIEME PORTA VETRO DESTRA	RIGHT SLIDING GLASS DOOR ASSEMBLY	X	X	A B C D E F G H
3	0546401Y00	0CBAGJ	GOMMINO PARACOLPO PORTA	RUBBER STOPPER FOR DOOR	X	X	A B C D E F G H Order 2 pieces
4	0640R02100	094035	MICRO PORTA	DOOR MICRO	X	X	A B C D E F G H
5	0546401X00	0CBAGI	RONDELLA IN PLASTICA FERMA CORSA	RUBBER STOPPER WASHER	X		A B C D E F G H
6	0830626200	049393	PIEDINO LIVELLATORE	FOOT	X	X	
7	0646R06700	092173	SONDA BLU	BLUE PROBE	X		NTC, 1500MM
8	0653800001	0C6155	TERMOSTATO SICUREZZA	SAFETY THERMOSTAT	X		
9	0611807701	0KB666	MOTOVENTILATORE E VENTOLA COMPLETO	MOTORVENTILATOR & FAN	X		
11	0617404200	0CBAGE	RESISTENZA	HEATING ELEMENT	X		500W 230V
12a	0181400100	0CBAGA	VETRO AL QUARZO E SUPPORTO	QUARTZ GLASS	X	X	
12b	050440J800	0CBAF8	SUPPORTO VETRO AL QUARZO	QUARTZ GLASS SUPPORT	X	X	
13	0661400200	0CBAF9	BARRA LED UVC	UVC LED BAR	X	X	400MM
14	050340CQ00	0CBAGG	STAFFA BLOCCO	STAKING STOPPER	X		
15	0640400800	0CBAGF	PRESA SCHUKO FEMMINA	FEMALE SCHUKO REAR PLUG	X		A C D F J K
15	0640400900	0CBAJ7	PRESA UK FEMMINA	FEMALE UK REAR PLUG	X		B E L
16	0624R00B01	097152	TRASFORMATORE 220/24V	VOLTAGE ADAPTOR 220/24V	X		
17	0652603200	075737	PORTAFUSIBILE	FUSE HOLDER	X	X	
17a	0652400M00	0CBAGH	FUSIBILE	FUSE	X	X	10,3X38 6A
18	0673400B01	0CBAGB	TERMOREGOLATORE	THERMOREGULATOR	X		
19	0502404900	0CBAGD	PANNELLO POST VENTILATORE	REAR PANEL, VENTILATOR	X		
20	0502404800	0CBAF7	CARTER VENTOLA CELLA	INNER VENTILATOR PANEL	X		
21	050340CM01	0CBAGL	PANNELLO DX	SIDE PANEL	X		A B C H
21	050340CM02		PANNELLO DX	SIDE PANEL	X		D E F G
21	050340CT01	0CBAR7	PANNELLO DX	SIDE PANEL	X		J K L
22	0A05714000	058613	MORSETTIERA 5 CONTATTI	TERMINAL BOARD 5 CONNECTORS	X		
23	0639804901	046357	MORSETTIERA 3 CONTATTI	TERMINAL BOARD 3 CONNECTORS	X		
24	0634402J00	0CBAGK	CABLAGGIO ELETTRICO	WIRING HARNESS	X	X	A B C
24	0634402K00	0CBAR3	CABLAGGIO ELETTRICO	WIRING HARNESS	X	X	D E F J K L
24	0634402M00		CABLAGGIO ELETTRICO	WIRING HARNESS	X	X	G H
25	0546R07500	091601	GABBIA PER BULBO	BULB SUPPORT	X		
26	0634800604	0C2192	CAVO DI ALIMENTAZIONE SCHUKO	SCHUKO POWER SUPPLY CABLE	X	X	A C D F J K
26	0634800802	0C3632	CAVO DI ALIMENTAZIONE UK	UK POWER SUPPLY CABLE	X	X	B E L
30	0646R20600	095929	SENSORE MAGNETICO	MAGNETIC MICROSWITCH	X		J K L
31	0640705101	0CBAR4	INTERRUTTORE UNIPOLARE	ON/OFF BUTTON	X		D E F G J K L
32	0223002301	0CBAR5	PROTEZIONE INTERRUTTORE	ON/OFF BUTTON COVER		X	D E F G J K L
33	0835407J00		ASSIEME PORTA	DOOR ASSEMBLY	X		J K L
34	0800404N01	0CBAR6	MANIGLIA	HANDLE	X		J K L
35	0835407K00		CERNIERA PORTA	DOOR HINGE	X		J K L
36	0506409600		STAFFA BLOCCAGGIO CERNIERA PORTA	DOOR HINGE LOCKING BRACKET		X	J K L

**Finanzen / Service**

**28307 Bremen**  
Thalenhorststraße 15  
Tel.+49 421 48557-0  
Fax+49 421 488650  
bremen@nordcap.de

**Vertrieb Ost**

**12681 Berlin**  
Wolfener Straße 32/34, Haus K  
Tel.+49 30 936684-0  
Fax+49 30 936684-44  
berlin@nordcap.de

**Vertrieb West**

**40699 Erkrath**  
Max-Planck-Straße 30  
Tel.+49 211 540054-0  
Fax+49 211 540054-54  
erkrath@nordcap.de

**Vertrieb Nord**

**21079 Hamburg**  
Großmoorbogen 5  
Tel.+49 40 766183-0  
Fax+49 40 770799  
hamburg@nordcap.de

**Vertrieb Süd**

**55218 Ingelheim**  
Hermann-Bopp-Straße 4  
Tel.+49 6132 7101-0  
Fax+49 6132 7101-20  
ingelheim@nordcap.de

