

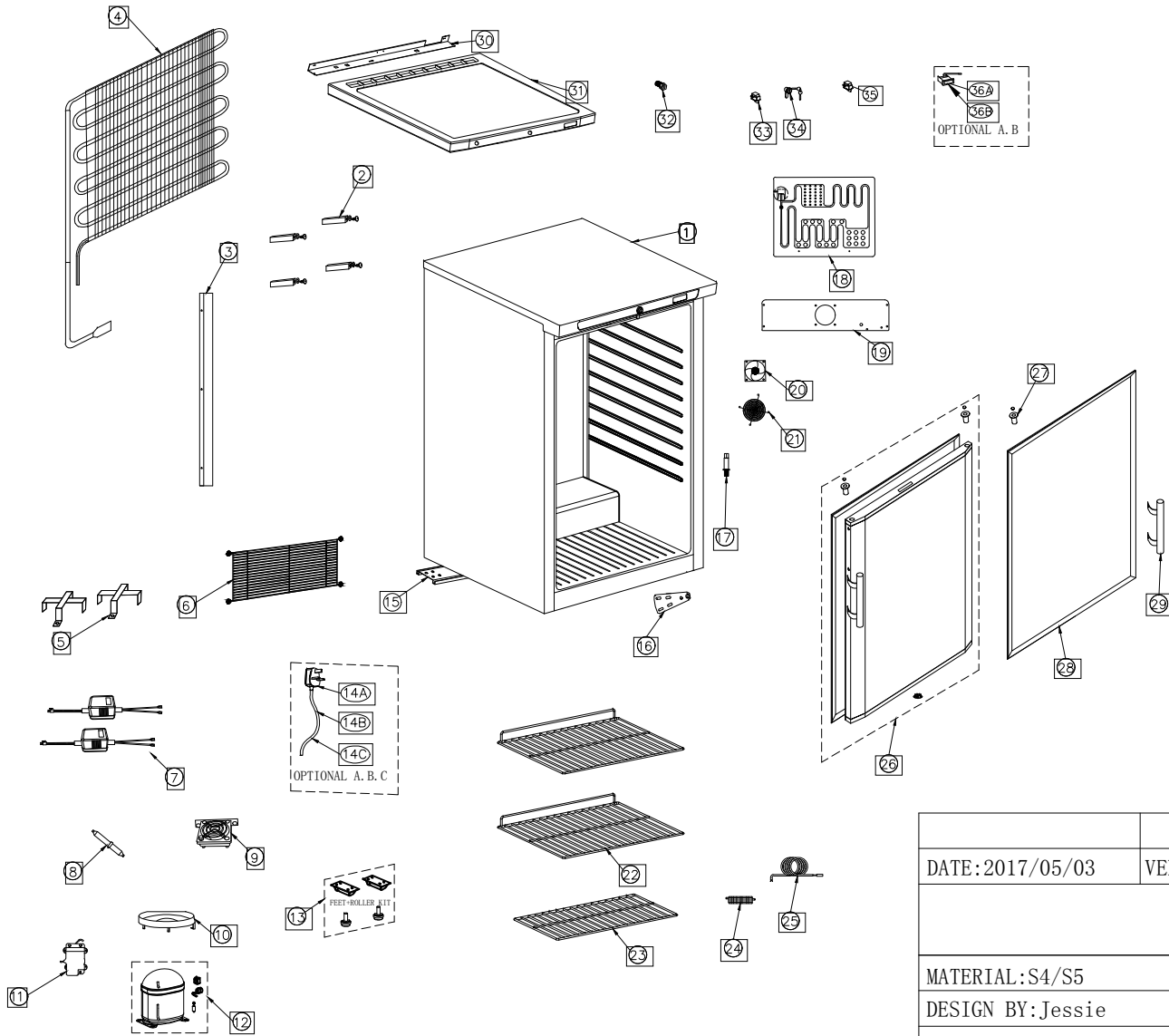
Spare-Parts List and Exploded View

(Ersatzteilliste-Explosionszeichnung)

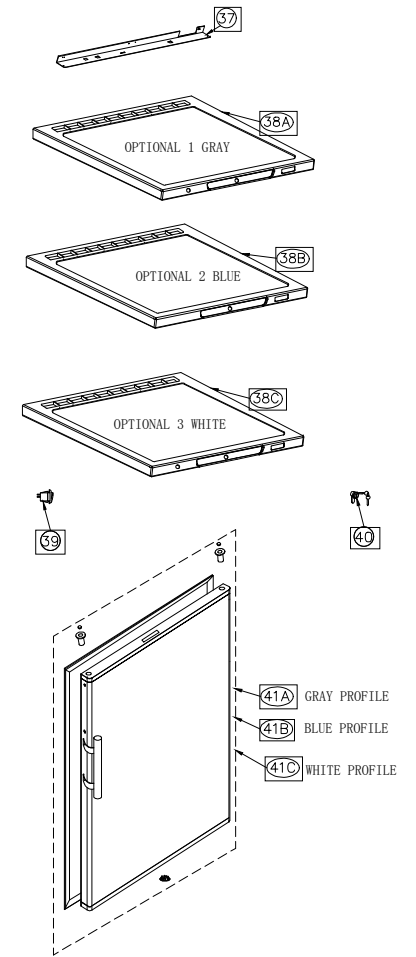
COOL-LINE Umluft-Gewerbekühlschrank **RCX 200 GL**

[Art. 451200700]





ALTERNATIVE DESIGN



- 41A GRAY PROFILE
- 41B BLUE PROFILE
- 41C WHITE PROFILE

DATE:2017/05/03	VERSION:A0	DESCRIPTION		DESIGN BY:	
		SCALE	MODEL	Q. TY	REMARKS:
		1:1			
MATERIAL:S4/S5		EXPLODED VIEW			
DESIGN BY:Jessie					
APPROVED BY:Alberto	CATEGORY	TYPE	GROUP	PART N°	
DATE:2017/05/03	EV	1AQ2	A0	1200	

Item Description **RCX 200 GL**

BOM Number 1

Build Quantity 1

Fixed Cost 0

Remark

Unit pc

BOM Components

Lev. 0	Item Number	Descr	Quantity	u.m.	Spare Part
	EV1AQ2A01200	CR/CRX 2 - EXPLODED VIEW DRAW.(Ver.A0 - S12)	1	pc	1
1	S51AQ40A0001	CRX 2 - STAINLESS STEEL FOAMED ASSEMBLY BODY (S/S Color-S12)	1	pc	1
2	P01AQ28A0002	CR/CN 2-4-6 Series - REAR CONDENSER SPACER - (S12)	4	pc	1
3	P01AD20A0003	RC 200/RN 200 - WIRING COVER	1	pc	1
4	I01AQ28A0001	CR/CN 2 - WIRE CONDENSER - (S12)	1	pc	1
5	Z01AF03A0003	RN/RNX 600B - BBC 286 - TRANSFORMER HOLDER (For item in R290)	2	pc	1
6	I01AQ29A0003	CR/CN 2 Series - REAR ENGINE ROOM GRID (Black Color-S12)	1	pc	1
7	E26B20120031	AC/DC ADAPTER MOD.HYD-1200300EU - (Male Connector)	2	pc	1
8	C01AQ26A0001	CR/CN 2 Series - BBC 186/286 - FILTER DRIER - (S12)	1	pc	1
9	E1711A020000	RDH5010B:12Vdc,0,16A,1,92W-(Included safety grid)-Wire 300mm	1	pc	1
10	P01AD23A0002	RC 200 Series - WATER TRAY ON COMPRESSOR	1	pc	1
11	P01AQ20A0002	CR/CN 2 - CR4/6 Ser. - BBCx86 - WIRING JUNCTION BOX-(S12)	1	pc	1
12	E27B6W2Z0000	HXL100A COMP. ZEL/ACC R600a-220/240V 50Hz-1/15 HP RSCR:	1	pc	1
13	KITFT1AE0A00	RC/RN 200 RC/RN 400-FEET + ROLLERS KIT(N.2 FOOT+N.2 ROLLERS)	1	pc	1
14A	E25EUG307525	POWER CORD 3x0.75 mmq - EU PLUG - GRAY COLOR 2,5 Mt.	1	pc	1
14B	E25EUK307525	POWER CORD 3x0,75 mmq - UK PLUG - BLACK COLOR 2.5 Mt	1	pc	1
14C	E25AUB307525	POWER CORD 3x0,75 mmq - AUSTRALIAN PLUG - BLACK COLOR 2,5 Mt	1	pc	1
15	Z01AD63A0001	RC 200 Series - ENGINE PLATE (For Roller and Feet kit)	1	pc	1
16	Z01AD22A0007	RC 200/RN 200 Series - BOTTOM HINGE	1	pc	1
17	Z01AE62A0005	RC/RN 400/600-CR/CN 7-14-PIVOT BOTTOM/UPPER RIGHT HINGE-(S12)	1	pc	1
18	A01AQ27A0001	CR/CRX 2 - ROLL BOND EVAPORATOR+CAPILLARY (White Color-S12)	1	pc	1
19	S41AD20A0004	RC 200 Series - INTERNAL SUPPORT FOR EVAPORATOR FAN	1	pc	1
20	E1711A013000	RDM8025B:12Vdc,0,11A,1,32W-Wire Length 300mm	1	pc	1
21	E192A0920500	FAN DIAGONAL GUARD GRILLE FOR FAN D.92 mm D.INT=82; W=5mm	1	pc	1
22	I01AQ29A0001	CR/CRX 2 - UPPER/MIDDLE SHELF (Dim.501*415 mm)-10mm GAP	2	pc	1
23	I01AQ29A0002	CR/CRX 2 - BOTTOM SHELF -10mm GAP	1	pc	1
24	P01AQ20A0003	CR/CN 2 Series - INTERNAL PROBE HOLDER - (S12)	1	pc	1
25	E21010300001	NTC PROBE - CABLE 3000 mm	1	pc	1
26	S51AQ42A0001	CRX/CNX 2-DOOR SET (Gasket+Cylindric Handle+Cap+Insert) GRAY	1	pc	1
27	N01AD22A0008	RC 200/RN 200 - DOOR BUSHING + BUSHING COVER	2	pc	1

28	R01AD22A0002	RC 200/RN 200 - SOLID DOOR GASKET	1	pc	1
29	S21AD22A0006	RC 200 Ser.-S/S CYLINDER HANDLE(SOLID-Chiller/GLASS-Freezer)	1	pc	1
30	Z01AQ21A0002	CR/CN 2 - UPPER SUPPORT FOR TOP - (S12)	1	pc	1
31	P01AQ21A0001	CR/CN 2-TOP PANEL GRAY Col.(HOLES: Main/Lock/Fan/Buzzer)-S12	1	pc	1
32	E2318BL00001	QN19-C MAIN SWITCH (3P)-BLUE Light-250V-5A/T55 1AE4 (D.19mm)	1	pc	1
33	E2309WH00002	HF-D02-1A-2B DOOR SWITCH (2P) 250VAC-4A; CONTACT NO	1	pc	1
34	Z01AQ22A0003	CR/CRG/CN 2-4-6 - DOOR LOCK + KEYS (Inc.RED Keys DL00017174)	1	pc	1
35	E2309WH00001	HF-D02-1A-1 DOOR SWITCH (2P) 250VAC-4A; CONTACT NC	1	pc	1
36A	E20A111C3D00	XR02CX-5R1C1 DIXELL BLULINE THERM.-LIDCGXB5AB (RWD)	1	pc	1
36B	E20A121C5E00	EV3B21N7VXR01 EVCO THERMOSTAT (RWE) CHILLER	1	pc	1
37	Z01AD21A0006	RC 200/RN 200-UPPER SUPPORT FOR GRAY TOP (1 DOOR SWITCH)	1	pc	1
38A	P01AD21A0002	RC 200-TOP PANEL GRAY COLOR(CHI DESIGN: 1 DOOR SW+1 BUZZER)	1	pc	1
38B	P01AD21A0003	RC 200-TOP PANEL BLUE COLOR(LEC DESIGN: 1 DOOR SW)	1	pc	1
38C	P01AD21A0001	RC 200-TOP PANEL WHITE COLOR(CHI DESIGN: 1 DOOR SW+1 BUZZER)	1	pc	1
39	E2308GR00001	XCK-015-2-02 MAIN SWITCH (3P) 250VAC-6A;	1	pc	1
40	Z01AD21A0005	RC 200/RN 200 Series - LOCK + N.2 KEYS	1	pc	1
41A	S51AD42A0001	RCX/RNX 200 - DOOR(Gasket+Cylicndric Handle+Cap+Insert)GRAY	1	pc	1
41B	S51AD42A0004	RCX/RNX 200 - DOOR(Gasket+Cylicndric Handle+Cap+Insert)BLUE	1	pc	1
41C	S51AD42A0002	RCX/RNX 200 - DOOR(Gasket+Cylicndric Handle+Cap+Insert)WHITE	1	pc	1