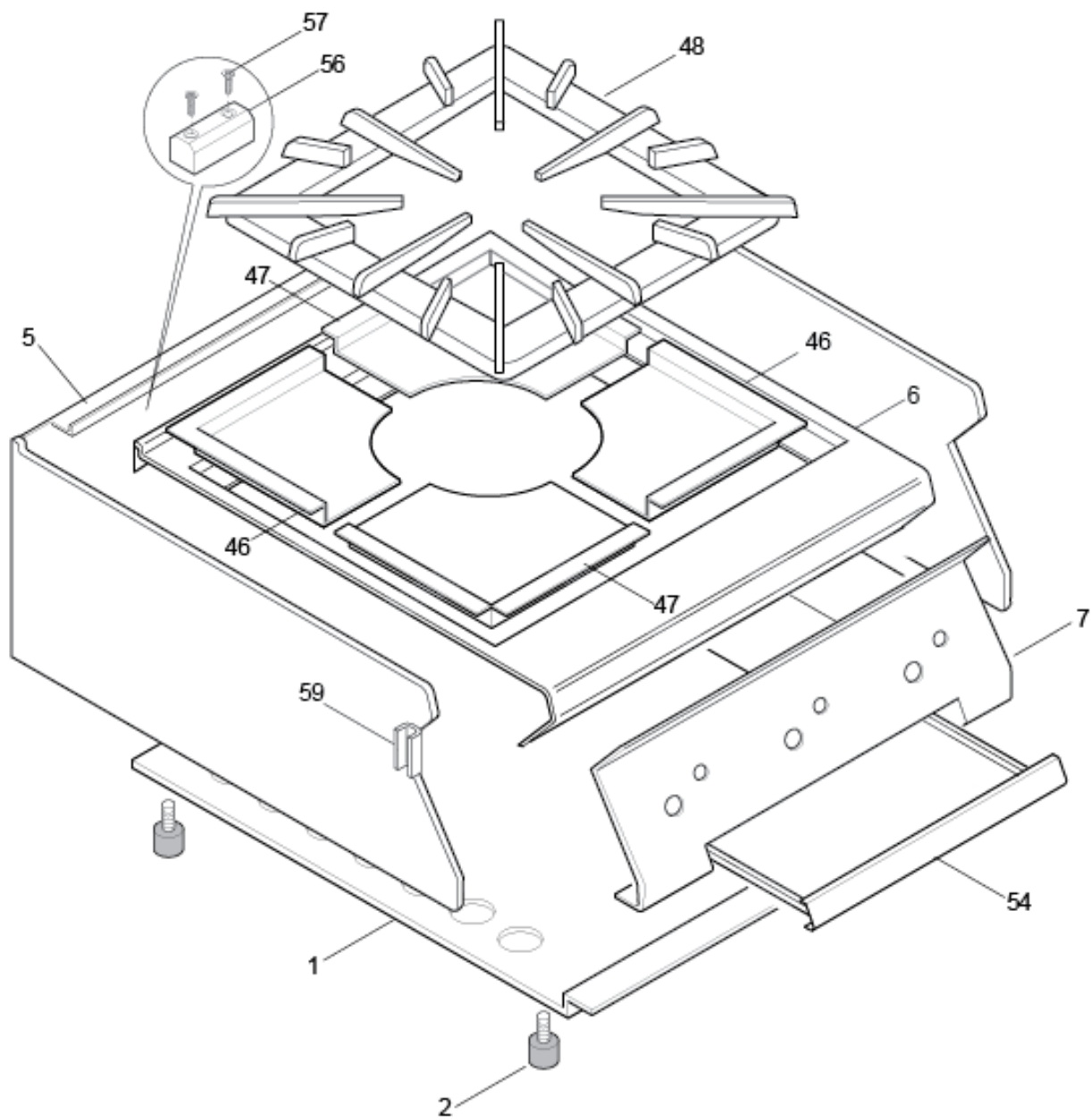
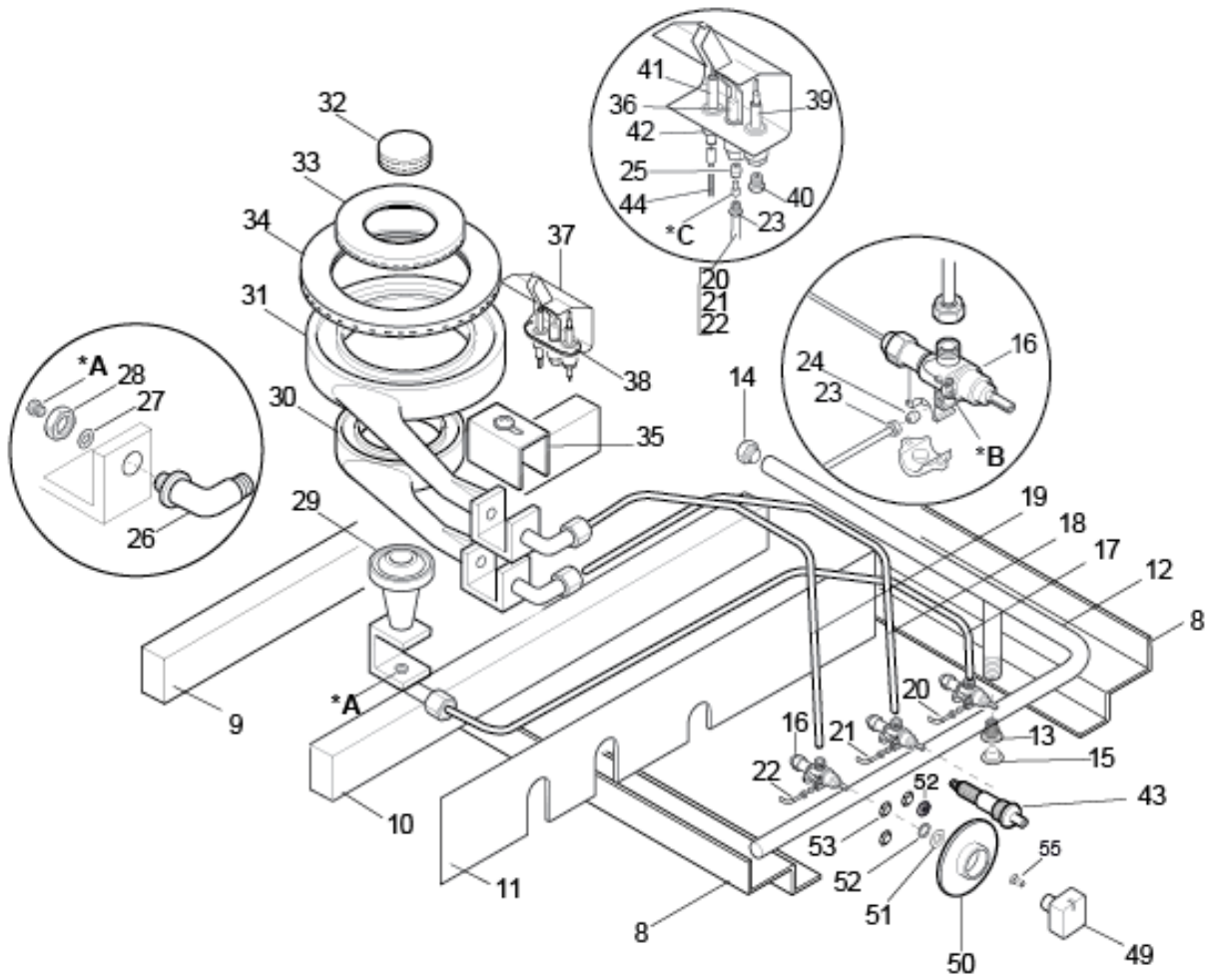


PNC	Model	Ref	Pag.	Brand	Version	Notes
391024	E9GCGH3C00	a	2,3	ELX	GAS	
392024	Z9GCGH3C00	b	2,3	ZAN	GAS	

Pag	Index	Indice	Note
2	General componets	Componenti struttura	
3	Gas components	Componenti Gas	
4,5	Spare parts list	Lista ricambi	

Brand/Marchio: All
 Factory code: 9PDX





A - Ugello bruciatore / Burner nozzle $\varnothing 60$			
Spare part Code	Ref. / Notes		
059328	$\varnothing 1.05$	3+3B/P	G30 30 mbar
059342	$\varnothing 1.00$	3B/P	G30 37 mbar
0A2088	$\varnothing 0.95$	3B/P	G30 50 mbar
0A2103	$\varnothing 1.55$	2H;2E+	G20 20 mbar
0A2091	$\varnothing 1.45$	2H	G20 25 mbar
0C2344	$\varnothing 1.60/1.90$	2L	G25 25mbar
0C2344	$\varnothing 1.60/1.90$	2K	G25.3 25mbar
0C2345	$\varnothing 1.65/1.90$	2ELL	G25 20 mbar
0C2344	$\varnothing 1.60/1.90$	2S	G25.1 25 mbar
-	-	No CE	G20 10 mbar

D - Vite di minimo / Min screw $\varnothing 60$			
Spare part Code	Ref. / Notes		
002925	$\varnothing 0.50$	3+3B/P	G30 30 mbar
002925	$\varnothing 0.50$	3B/P	G30 37 mbar
002900	$\varnothing 0.45$	3B/P	G30 50 mbar
002769	$\varnothing 0.75$	2H;2E+	G20 20 mbar
002769	$\varnothing 0.75$	2H	G20 25 mbar
002769	$\varnothing 0.75$	2L	G25 25mbar
002769	$\varnothing 0.75$	2K	G25.3 25mbar
002769	$\varnothing 0.75$	2ELL	G25 20 mbar
002769	$\varnothing 0.75$	2S	G25.1 25 mbar
002769	$\varnothing 0.75$	No CE	G20 10 mbar

A - Ugello bruciatore / Burner nozzle $\varnothing 180$			
Spare part Code	Ref. / Notes		
0A2089	$\varnothing 1.60$	3+3B/P	G30 30 mbar
0A2103	$\varnothing 1.55$	3B/P	G30 37 mbar
0A2091	$\varnothing 1.45$	3B/P	G30 50 mbar
0A2104	$\varnothing 2.40$	2H;2E+	G20 20 mbar
0A2475	$\varnothing 2.25$	2H	G20 25 mbar
059382	$\varnothing 2.50$	2L	G25 25mbar
058980	$\varnothing 2.45$	2K	G25.3 25mbar
0A2174	$\varnothing 2.65$	2ELL	G25 20 mbar
0A2174	$\varnothing 2.65$	2S	G25.1 25 mbar
-	-	No CE	G20 10 mbar

D - Vite di minimo / Min screw $\varnothing 180$			
Spare part Code	Ref. / Notes		
002770	$\varnothing 0.85$	3+3B/P	G30 30 mbar
002770	$\varnothing 0.85$	3B/P	G30 37 mbar
002908	$\varnothing 0.70$	3B/P	G30 50 mbar
002927	$\varnothing 1.15$	2H;2E+	G20 20 mbar
002927	$\varnothing 1.15$	2H	G20 25 mbar
002927	$\varnothing 1.15$	2L	G25 25mbar
002927	$\varnothing 1.15$	2K	G25.3 25mbar
002927	$\varnothing 1.15$	2ELL	G25 20 mbar
002927	$\varnothing 1.15$	2S	G25.1 25 mbar
002927	$\varnothing 1.15$	No CE	G20 10 mbar

A - Ugello bruciatore / Burner nozzle $\varnothing 350$			
Spare part Code	Ref. / Notes		
0A2301	$\varnothing 1.95$	3+3B/P	G30 30 mbar
A05176400	$\varnothing 1.85$	3B/P	G30 37 mbar
059336	$\varnothing 1.70$	3B/P	G30 50 mbar
006470	$\varnothing 2.95$	2H;2E+	G20 20 mbar
0A2868	$\varnothing 2.75$	2H	G20 25 mbar
059776	$\varnothing 3.15$	2L	G25 25mbar
0C2843	$\varnothing 3.05$	2K	G25.3 25mbar
0C2343	$\varnothing 3.35$	2ELL	G25 20 mbar
002916	$\varnothing 3.25$	2S	G25.1 25 mbar
-	-	No CE	G20 10 mbar

D - Vite di minimo / Min screw $\varnothing 350$			
Spare part Code	Ref. / Notes		
004595	$\varnothing 1.00$	3+3B/P	G30 30 mbar
004595	$\varnothing 1.00$	3B/P	G30 37 mbar
002770	$\varnothing 0.85$	3B/P	G30 50 mbar
006193	$\varnothing 1.60$	2H;2E+	G20 20 mbar
006193	$\varnothing 1.60$	2H	G20 25 mbar
006193	$\varnothing 1.60$	2L	G25 25mbar
006193	$\varnothing 1.60$	2K	G25.3 25mbar
006193	$\varnothing 1.60$	2ELL	G25 20 mbar
006193	$\varnothing 1.60$	2S	G25.1 25 mbar
006193	$\varnothing 1.60$	No CE	G20 10 mbar

E - Ugello pilota / Pilot nozzle			
Spare part Code	Ref. / Notes		
054286	n°24	3+3B/P	G30 30 mbar
054286	n°24	3B/P	G30 37 mbar
054286	n°24	3B/P	G30 50 mbar
054037	n°25	2H;2E+	G20 20 mbar
054037	n°25	2H	G20 25 mbar
054037	n°25	2L	G25 25mbar
054037	n°25	2K	G25.3 25mbar
054037	n°25	2ELL	G25 20 mbar
054037	n°25	2S	G25.1 25 mbar
054037	n°25	No CE	G20 10 mbar

PAELLERO 800 E900XP

<i>Pos</i>	<i>Spare Parts Code</i>	<i>Factory Code</i>	<i>Descrizione</i>	<i>Description</i>	<i>Ref./Note</i>
1	0C2347	530835500	FONDO PAELLERO	BOTTOM PANEL	
2	026806	315252601	PIEDINO COMPRENSIVO DI VITE	RUBBER FOOT	
3					
4					
5	*	85089DS00	FASCIA TOP	EXTERNAL PANEL	ELX
5	*	85089DV00	FASCIA TOP	EXTERNAL PANEL	ZAN
6	0C7312	87089DD00	ASS RIPIANO	WORK TOP	ELX
6	0C7322	87089M700	ASS RIPIANO	WORK TOP	ZAN
7	0C7943	85589D300	ASS.CRUSCOTTO PAELLERO	CONTROL PANEL	ELX
7	0C7944	85589D400	ASS.CRUSCOTTO PAELLERO	CONTROL PANEL	ZAN
8	0C2351	530836000	GUIDA PER GUANTIERA	RUNNER FOR SLIDING TRAY	
9	0C2352	530836102	SUPP. BRUCIATORI POSTERIORE	REAR BURNERS SUPPORT	
10	0C2353	530836202	SUPP. BRUCIATORI ANTERIORE	FRONT BURNERS SUPPORT	
11	0C2354	530842200	SCUDO X IRRAGGIAMENTO PAE.	THERMAL SHIELD	Untill sn 238
11	0C8909	530842202	SCUDO X IRRAGGIAMENTO PAE.	THERMAL SHIELD	From sn 239
12	0C2355	853890600	RIBALTA PAELLERO	MANIFHOLD	
13	0C0140	516863902	FILTRO PER TUBO 1/2 " GAS	GAS PIPE FILTER	
14	051717	210360300	CALOTTA ESAGONALE	GAS SCREWED STOPPER	
15	0C2356	246519800	TAPPO X RIBALTA DA 1/2"	PLASTIC STOPPER MANIFHOLD	
16	0C0205	835857201	RUBINETTO 21S BRIGLIA SPEC.	GAS TAP	
17	0C2357	853890702	CONDUTT.BRUCIATORE Ø60 MM	GAS PIPE BURNER 60 MM	6kw
18	0C2358	853890802	CONDUTT. BRUCIATORE Ø180 MM	GAS PIPE BURNER Ø180 MM	Untill sn 238
18	0C9042	853890804	CONDUTT. BRUCIATORE Ø180 MM	GAS PIPE BURNER Ø180 MM	From sn 239
19	0C2359	853890902	CONDUTT. BRUCIATORE Ø350 MM	GAS PIPE BURNER Ø350 MM	Untill sn 238
19	0C9043	853890904	CONDUTT. BRUCIATORE Ø350 MM	GAS PIPE BURNER Ø350 MM	From sn 239
20	0C2360	517892001	CONDUTT. PILOTA Ø60 MM	GAS PIPE PILOT BURNER 60 MM	
21	0C2361	517892101	CONDUTT. PILOTA Ø180 MM	GAS PIPE PILOT BURNER Ø180	
22	0C2362	517892201	CONDUTT.PILOTA Ø350 MM	GAS PIPE PILOT BURNER Ø350	
23	052125	214164400	RACCORDO M10X1 FORO DA 4	NUT	
24	052127	215199700	BICONO SPEC.DA 4	BICONE	
25	053665	515827401	BICONO DIAM. 4	BICONE	
26	059375	511805801	PORTAUGELLO	INJECTOR CARRIER	
27	0C2384	516880600	RONDELLA D.15 - D.18	WASHER	
28	020997	214105101	CONTRODADO PORTAUGELLO	NUT	
29	0C2363	510822401	BRUCIATORE Ø60 MM	BURNER 60 MM	6kw
30	0C2364	510822503	BRUCIATORE Ø180 MM	BURNER Ø180 MM	10kw
31	0C2365	510822103	BRUCIATORE Ø350 MM	BURNER Ø350 MM	15kw
32	0C2366	510822900	SPARTIFIAMMA Ø60 MM	FLAME SPREADER BU. 60 MM	6kw
33	0C2367	510822603	SPARTIFIAMMA Ø180 MM	FLAME SPREADER BU. Ø180 MM	10kw
34	0C2368	510822204	SPARTIFIAMMA Ø350 MM	FLAME SPREADER BU. Ø350 MM	15kw

PAELLERO 800 E900XP

<i>Pos</i>	<i>Spare Parts Code</i>	<i>Factory Code</i>	<i>Descrizione</i>	<i>Description</i>	<i>Ref./Note</i>
35	0C2369	530837600	REGOLATORE ARIA PAELLERO	AERATOR	
36	054032	830828100	672 F BRUC.PILOTA POLIDORO	PILOT BURNER	
37	0C2371	853892300	ASS.PROL. PILOTA PAELLERO	PILOT BURNER EXTENSION	
38	0C2372	530838001	SUPPORTO PILOTA PAE.	PILOT CARRIER	
39	0C0202	831800500	TERMOCOPPIA	THERMOCOUPLE	
40	0C0121	214162000	RACC.FISSAGGIO TC SIT 0974036	NUT FOR THERMOCOUPLE	
41	052610	330272401	ELETTRODO DI ACCENSIONE	ELECTRODE	
42	057960	214164101	RACCORDO FISS. CANDELA	NUT FOR ELECTRODE	
43	059251	835829600	ASS. ACCENDITORE PIEZO	PIEZO IGNITER	
44	006514	638883500	ASSIEME CAVETTO DI ACC.	IGNITION CABLE	
46	0C2373	530838901	GUANTIERA SUP.DX PAELLERO	RIGHT SIDE SECTOR TRAY	
47	0C2374	530839001	GUANTIERA SUP.SX PAELLERO	LEFT SIDE SECTOR TRAY	
48	0C2375	873848202	ASS.GRIGLIA PAELLERO	PAELLA SUPPORT (GRID)	
49	*	511851100	MANOPOLA	KNOB	ELX
49	0C7425	548878101	MANOPOLA	KNOB	ZAN
50	0C6671	548876S00	GHIERA PER MANOPOLA	KNOB RING	ELX
50	0C7243	548879F00	GHIERA PER MANOPOLA	KNOB RING	ZAN
51	*	206002405	ROSETTA PIANA 4.3 X 12	WASHER	
52	0C6171	541813800	RONDELLA SILICONE	SILICONE WASHER	
53	069567	218912211	PIASTR.FISSAGGIO GHIERA	SPRING FOR KNOB RING	
54		87089MS00	ASS.GUANTIERA INF. PAELLERO	SLIDING TRAY	ELX
54		87089MT00	ASS.GUANTIERA INF. PAELLERO	SLIDING TRAY	ZAN
55		54887AV00	ADATTATORE MANOPOLA	KNOB ADAPTER	ELX
56	0C0137	516860700	PIAST.FILETT.FISS.POST.RIPIANO	JOINTING PLATE	
57	*	217203145	VITE	SCREW	
58					
59	0C0156	527850500	PIASTRA DI FISSAGGIO	JOINTING PLATE	