

## Ersatzteilliste-Explosionszeichnung

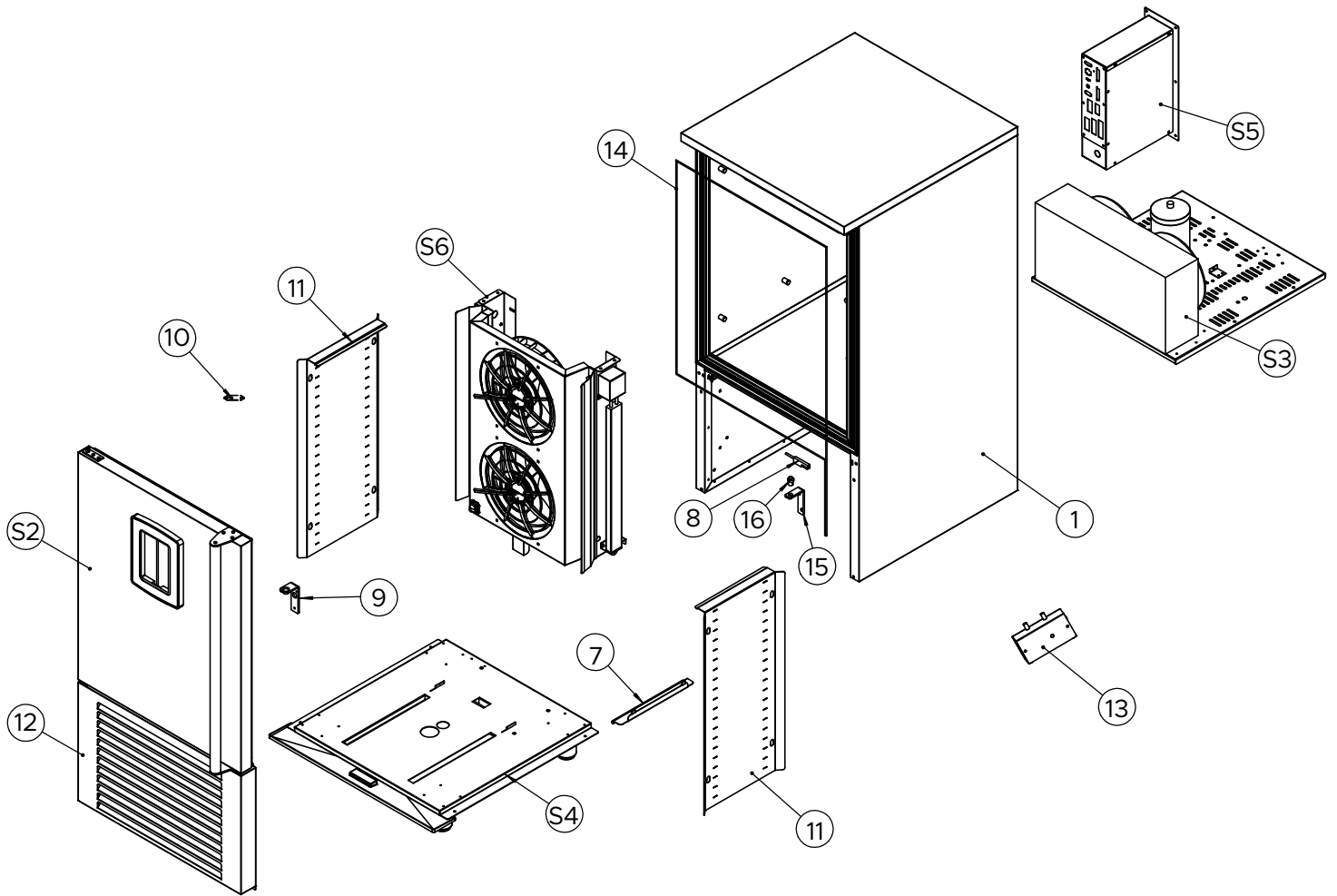
### Schnellkühler / Schockfroster **SKF 12F GN 2/1 PLUS**

[Art. 433000109]



# PLUS 12F

## General Subassembly

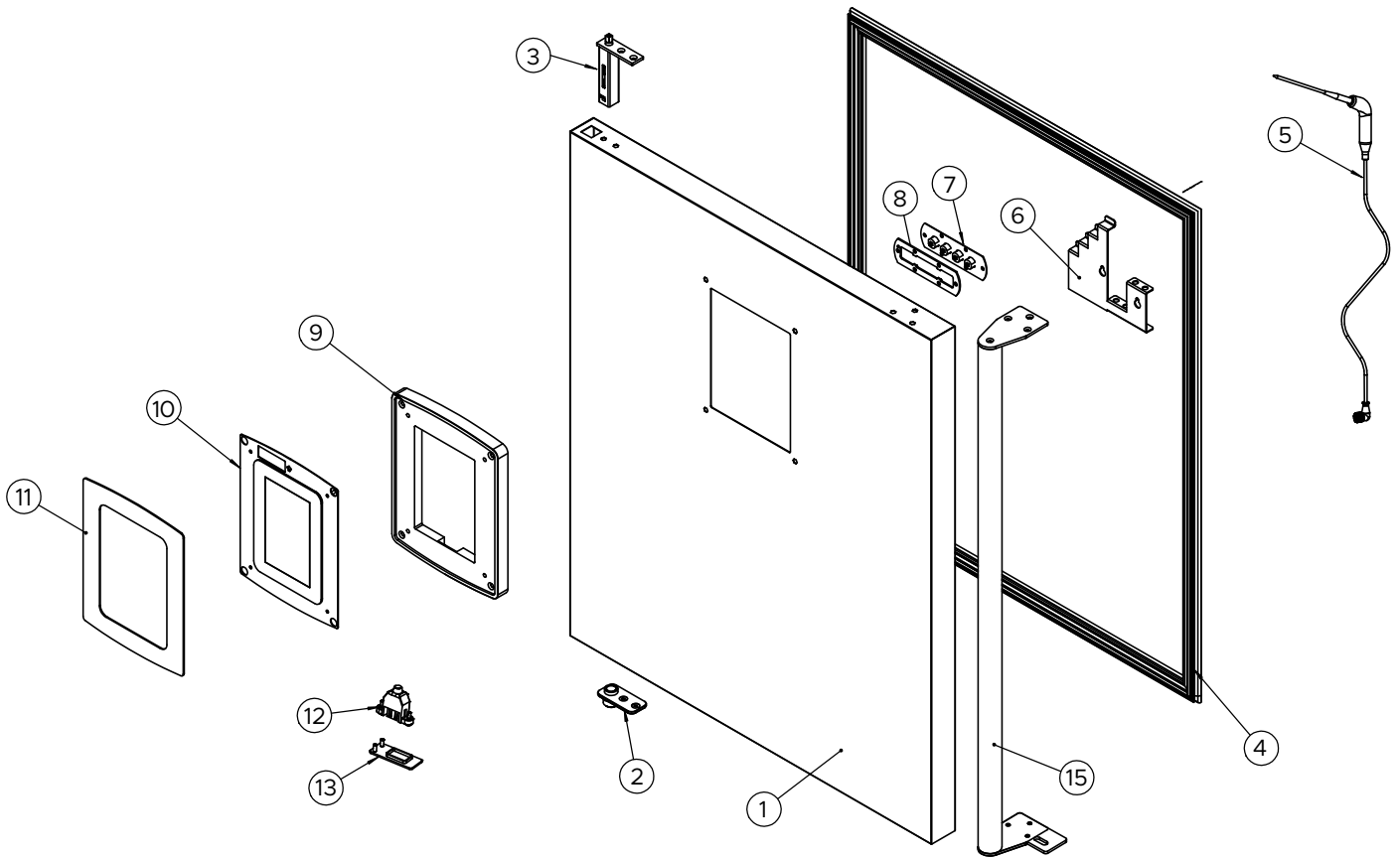


General Subassembly components list

Position	Spare Part Code	Description
1	R450700032	Body
7	R150700035	Guides for GN2/1 trays
8	R211700002	Door magnetic sensor with connector
9	R400100001	Lower hinge assembly
10	R150700002	Upper hinge plate
11	R150700034	Trays Support holder
12	R150300029	Front panel
13	R240200002	Ozone generator assembly
14	R210200013	Door Heater 24V
15	R150700027	Spring holder support
16	R400100007	Spring door holder

# PLUS 12F

## Door Subassembly

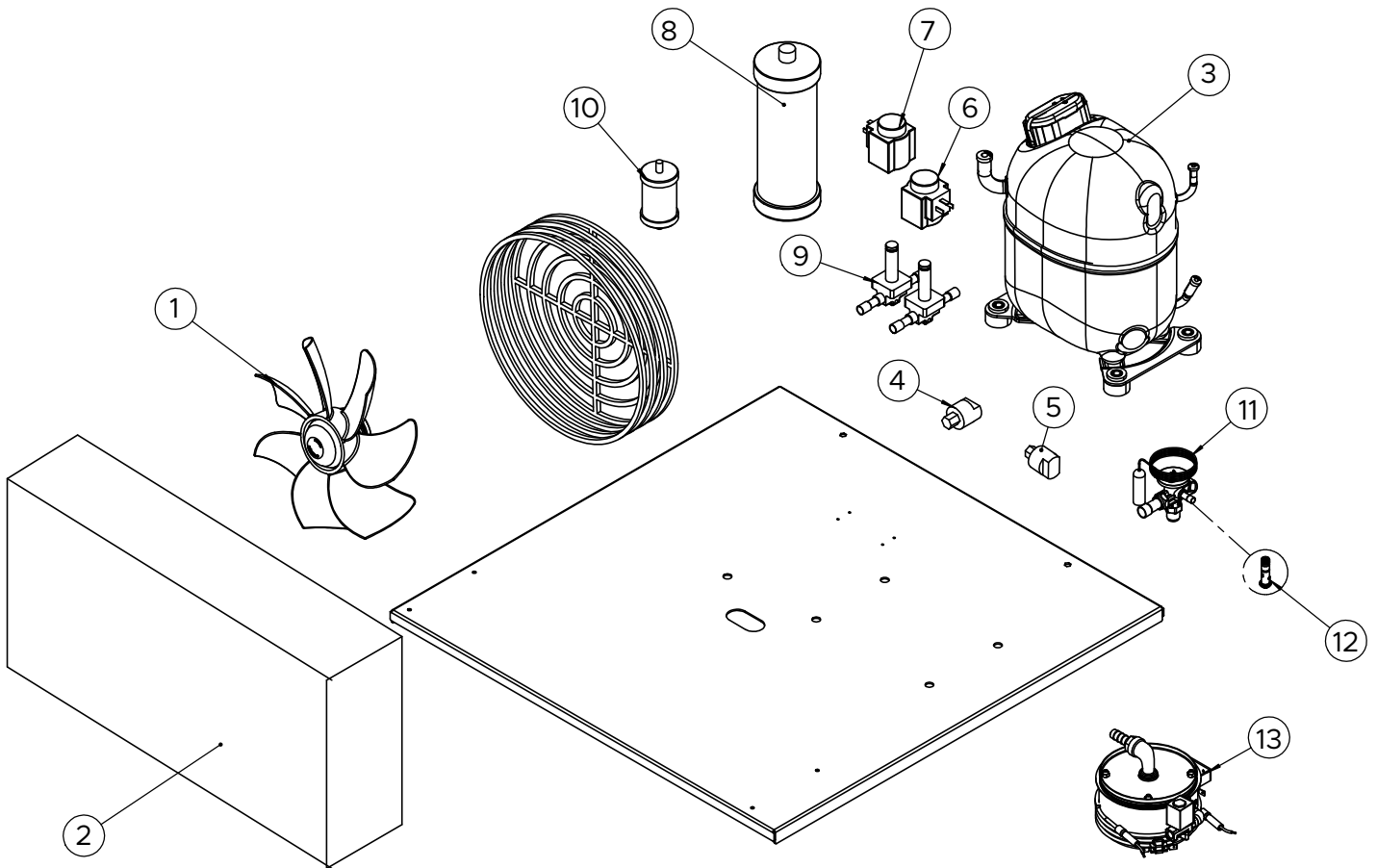


Door components list

Position	Spare Part Code	Description
1	R450700033	Door
2	R251100002	Lower hinge plate
3	R230900001	Upper hinge
4	R250300019	Door gasket
5	R240100003	Heated mutipoint probe 700mm
5	R240100010	Heated singlepoint probe 700mm
6	R150700004	Probe holder
7	R211200001	N°4 Probe Connector
7	R211500003	Probe connector
8	R250300003	Probe connector gasket
9	R251100003	Keyboard frame Blue
10	R400000005	LCD keyboard
11	R251200003	Magnetic label
12	R211500001	USB Connector
13	R211500002	USB Cap
15	R400400006	Handle

# PLUS 12F

## Condensed Unit Subassembly

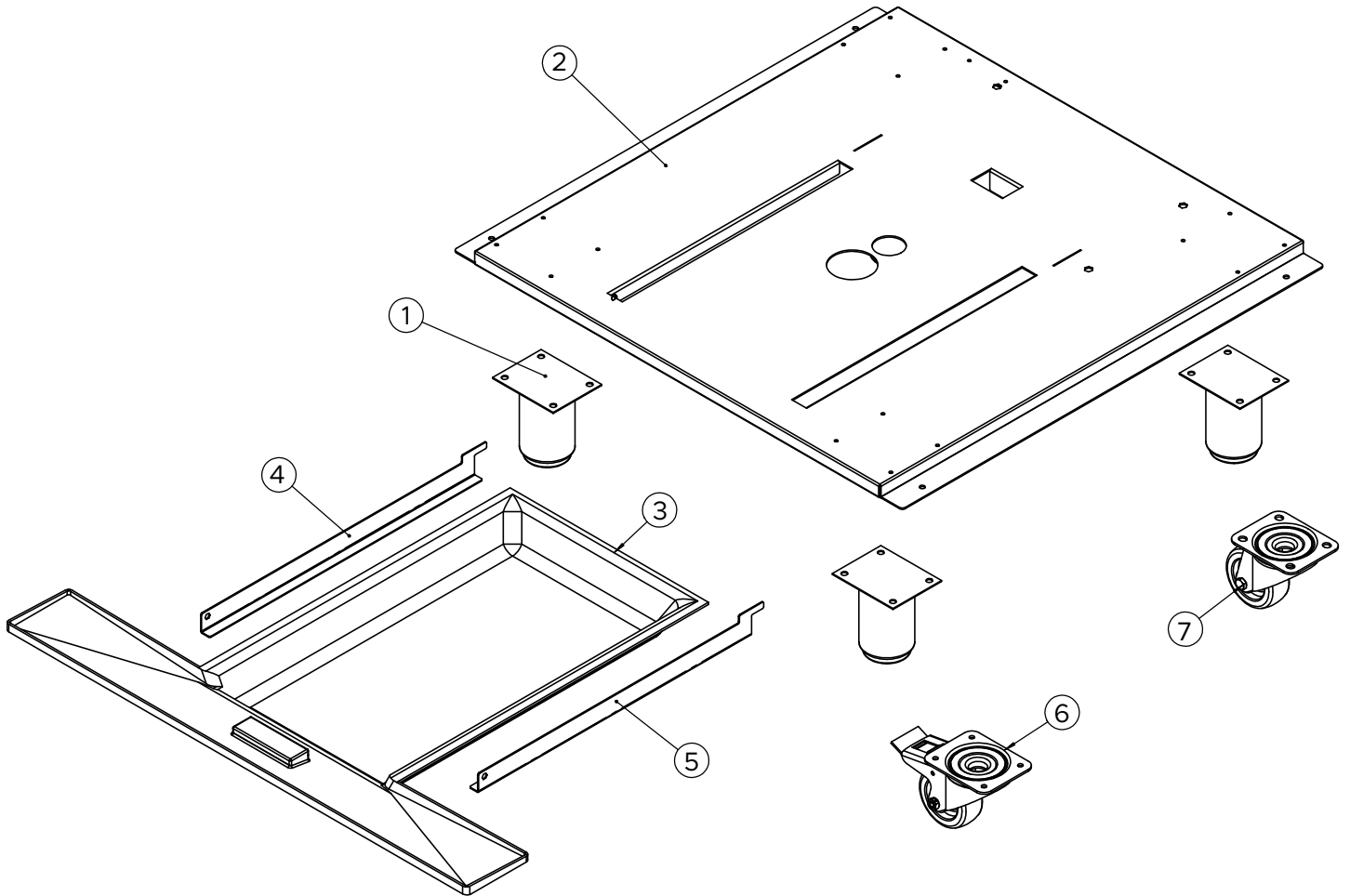


Condensed Unit components list

Position	Spare Part Code	Description
1	R210100003	Condenser fan
2	R220400002	Condenser
3	R221000006	Compressor TAG2516Z
4	R221200001	High pressure switch
5	R221200002	Low pressure switch
6	R290100001	Defrosting Solenoid coil 24V
7	R290100002	Solenoid coil 230V
8	R220500001	Liquid receiver
9	R220600006	Filter
10	R290100003	Solenoid valve 10mm
11	R220300003	Danfoss thermostatic valve 068Z3549
12	R220300007	Danfoss Orifice 03
13	R290100005	Steam generator 1000W

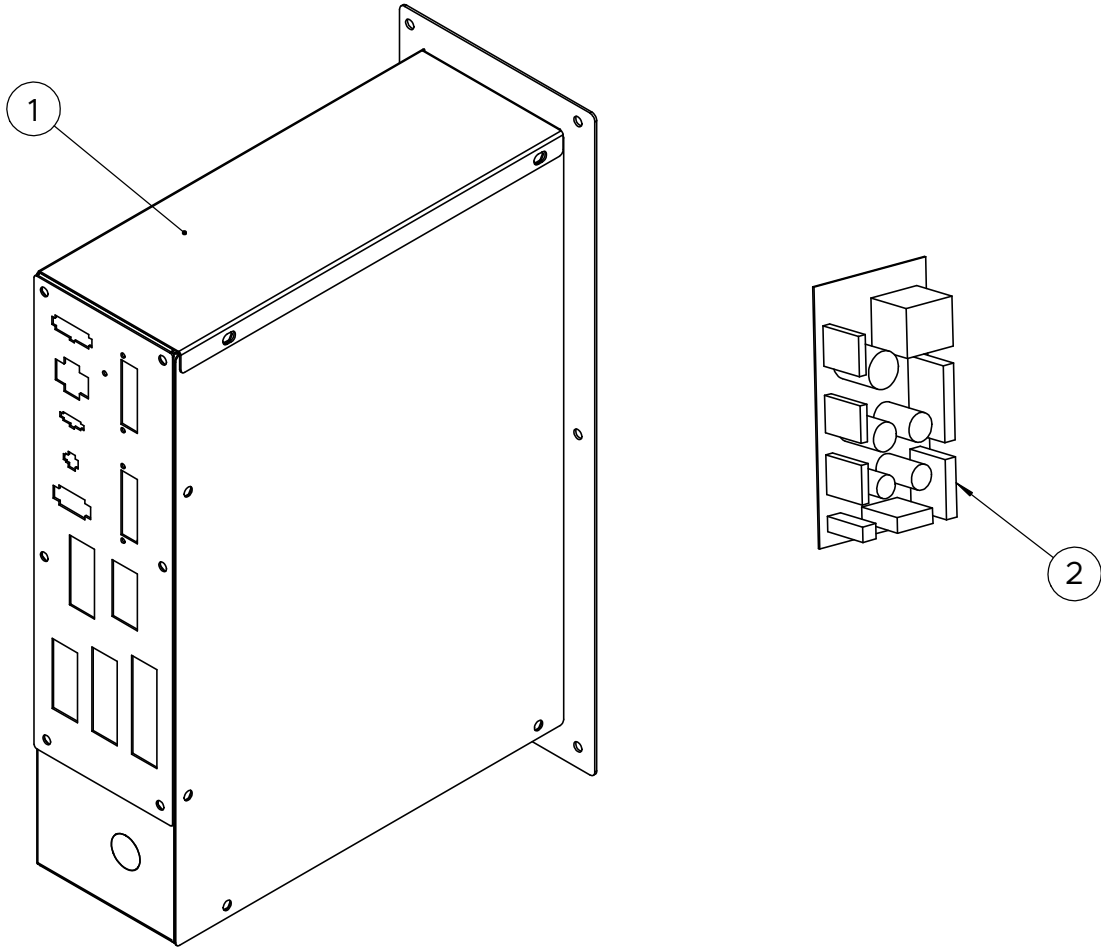
# PLUS 12F

## Bottom Panel Subassembly



Bottom Panel components list		
Position	Spare Part Code	Description
1	R230500001	Adjustable Foot
2	R150300027	Bottom panel
3	R150600001	Collecting tray
4	R150300003	Left collecting tray support
5	R150300004	Right collecting tray support
6	R230500006	Wheel ø100 with brake
7	R230500005	Wheel ø100 without brake

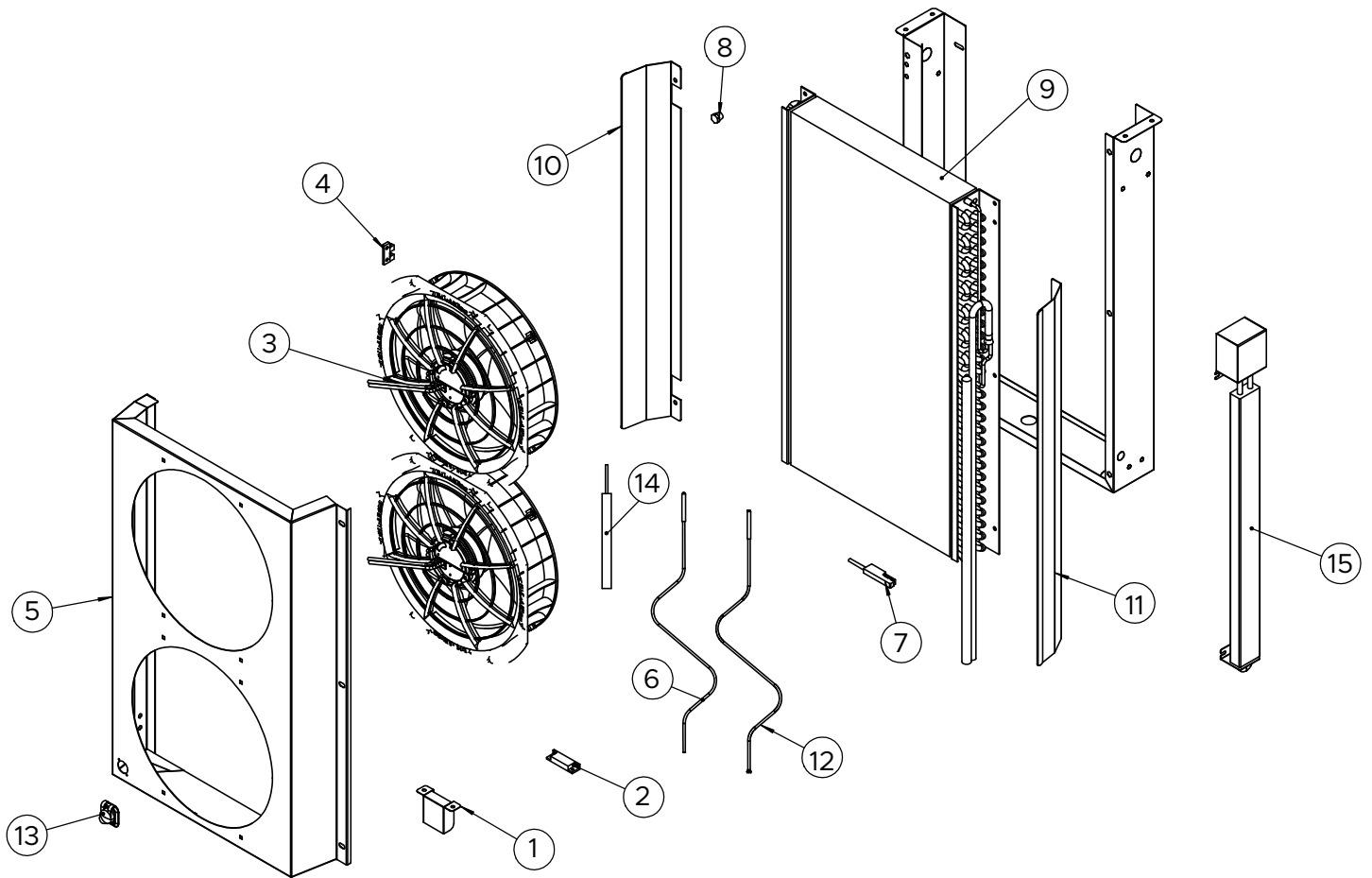
**PLUS 12F**  
**Electric Board Subassembly**



Electric Board components list		
Position	Spare Part Code	Description
1	R400700002	Electric board
2	R240000001	Controller base board

# PLUS 12F

## Fan & Evaporator support Subassembly



Fan & Evaporator support components list

Position	Spare Part Code	Description
1	R150700036	Tray retainer
2	R230400001	Magnet for sensor
3	R210100011	Evaporator fan ø350 with connector
4	R230000001	Fan holder hinge
5	R150400016	Fan support
6	R240100004	Evap Probe with red connector
7	R211700003	Evap Door Magnetic sensor with connector
8	R250500001	Fan holder knob
9	R220200012	Evaporator
10	R150700037	Left deflector
11	R150700038	Right deflector
12	R240100005	Air Probe with blue connector
13	R211500004	Ozone sterilizer connector
14	R240100008	Humidity probe
15	R400000010	Heating element

NordCap GmbH & Co. KG  
Thalendorststraße 15  
28307 Bremen  
Hauptsitz (Service, Finanzen & Personal, Lager, IT, Marketing)

Telefon: +49 421 48557-0  
Telefax: +49 421 488650  
E-Mail: [bremen@nordcap.de](mailto:bremen@nordcap.de)

Die NordCap Verkaufsniederlassungen in Deutschland:

Nord: Hamburg • Ost: Berlin • Süd: Ingelheim • West: Erkrath

