

# Ersatzteilliste-Explosionszeichnung

## Elektro-Frittenwanne EFW7 / 1/1T

[Artikel-Nr.: 406372086]



**SCALDAPATATE ELETTRICO E700XP**  
**ELECTRIC TOP CHIP SCUTTLE E700XP**

---

PNC	Model	Ref	Pag.	Brand	Version	Notes
371086	E7CSPDC000	a	2	ELX	EL	ELECTRIC CHIP SCUTTLE 400 MM
372086	Z7CSPDC000	b	2	ZAN	EL	ELECTRIC CHIP SCUTTLE 400 MM
373086	A7CSPDC000	c	2	OEM	EL	ELECTRIC CHIP SCUTTLE 400 MM

**Index**

General components / componenti generali  
Spare parts list / Lista ricambi

**Page**

2  
3

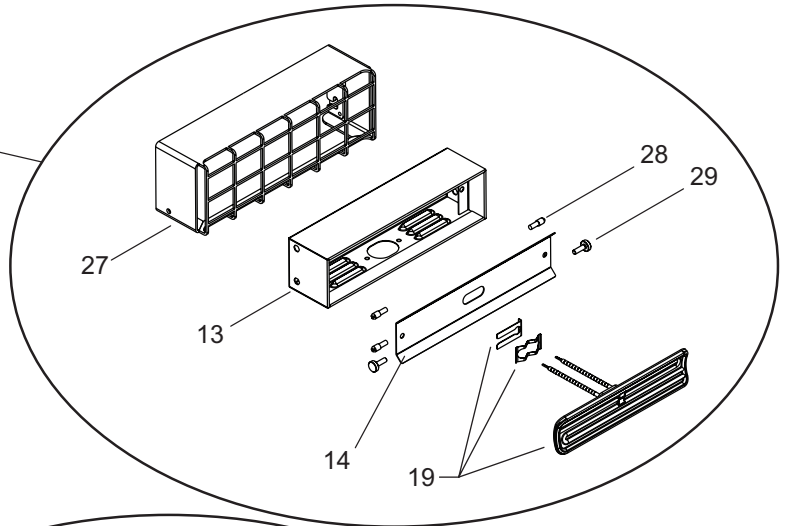
**Bold=last change / Grassetto =ultima modifica**

Brand/Marchio: All  
Factory code: 9PDX

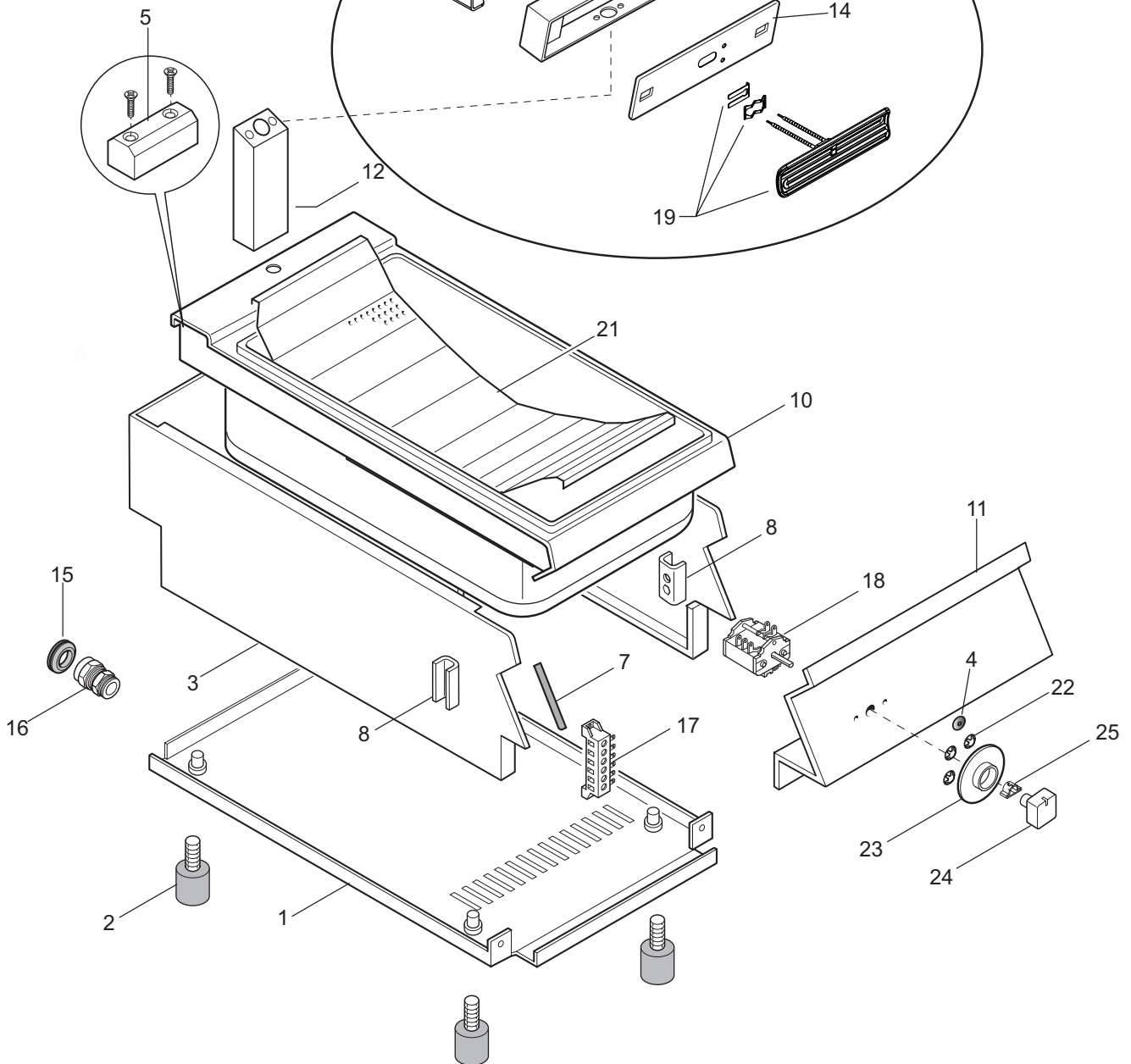
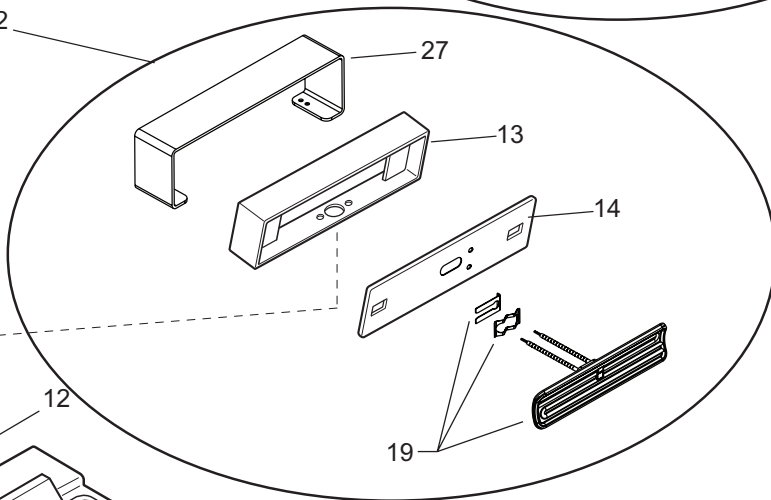
Rev. 4

From Ser. Nr.... Up to Ser. Nr....	Ed. 2011-04 Updated 2021-12	Page: 1	<b>Doc No:59785FB00</b>
---------------------------------------	--------------------------------	---------	-------------------------

NEW from wk 2019/03



OLD up to wk 2019/02



SCALDAPATATE ELETTRICO E700XP  
ELECTRIC TOP CHIP SCUTTLE E700XP

Pos	Factory Code	Spare part Code	Descrizione	Description	Ref./Notes
1	5038A1U00	*	FONDO	BOTTOM PANEL	
2	315252601	026806	PIEDINO CON VITE	SCREW FOOT FOR TOP	
3	85089F700		RIVESTIMENTO LATERALE	EXTERNAL PANEL	ELX
3	85089FA00		RIVESTIMENTO LATERALE	EXTERNAL PANEL	ZAN, OEM
4	541813800		RONDELLA SILIONE	SILICONE WASHER	
5	516860702	0C0137	PIASTRINA PER GIUNZIONE	JOINTING REAR PLATE	
7	543821900	0C2496	GUARNIZIONE PER CRUSCOTTO	GASKET, CONTROL PANEL	
8	527850500	0C0156	PIASTRA FISSAGGIO FIANCHI	SIDE PANEL JOINTING PLATE	
10	87589A901	0C7849	RIPIANO VASCA	TOP CHIP SCUTTLE	ELX - Up to 2019/02
10	87589A902	*	RIPIANO VASCA	TOP CHIP SCUTTLE	ELX - From 2019/03
10	87589AY01	0C7852	RIPIANO VASCA	TOP CHIP SCUTTLE	ZAN, OEM - Up to 2019/02
10	87589AY02	*	RIPIANO VASCA	TOP CHIP SCUTTLE	ZAN, OEM - From 2019/03
11	085589B102	0C7591	CRUSCOTTO 400	CONTROL PANEL 400	ELX
11	050389CJ01	0C7595	CRUSCOTTO 400	CONTROL PANEL 400	ZAN
11	0800839000	*	CRUSCOTTO 400	CONTROL PANEL 400	OEM
12	806807001	0C0556	SUPPORTO SCATOLA RESISTENZA	SUPPORT BOX HEATING ELEMENT	Up to 2019/02
12	80083D600	*	SUPPORTO SCATOLA RESISTENZA	SUPPORT BOX HEATING ELEMENT	From 2019/03
13	522878800	0C5289	SCATOLA RESISTENZA	BOX HEATING ELEMENT	Up to 2019/02
13	50089D900	*	SCATOLA RESISTENZA	BOX HEATING ELEMENT	From 2019/03
14	533837402	0C5290	SUPPORTO RESISTENZA	SUPPORT FOR HEATING ELEMENT	Up to 2019/02
14	50589MX00	*	SUPPORTO RESISTENZA	SUPPORT FOR HEATING ELEMENT	From 2019/03
15	0246530100	005382	PASSAFILO DIA.22	GROMMET DIA.22	
16	544802300	0C0068	PRESSACAVO	TOGHTENER CORD	
17	639804901	*	MORSETTIERA	MAIN TERMINAL BLOCK	
18	A05443500	0A2241	COMMUTATORE	SWITCH	
19	61783AV00	0CB560	RESISTENZA INFRAROSSO 1 kW	INFRARED HEATING ELEMENT 1kW	PDX2018-04
21	529879401	0C0554	FALSO FONDO FORATO	FALSE BOTTOM	
22	218912211	069567	MOLLETTA PER GHIERA	SPRING, KNOB RING	
23	548877H00	0C7424	GHIERA PER MANOPOLA	KNOB RING FOR SWITCH	ELX
23	548879R00	0C7572	GHIERA PER MANOPOLA	KNOB RING FOR SWITCH	ZAN, OEM
24	511850G01	0C6670	MANOPOLA COMMUTATORE	KNOB, SWITCH	ELX
*	548877V00	0C7345	ADATTATORE MANOPOLA	KNOB ADAPTER	ELX
24	548878201	0C7232	MANOPOLA COMMUTATORE	KNOB, SWITCH	ZAN
24	548865500	0A5621	MANOPOLA COMMUTATORE	KNOB, SWITCH	OEM
25	214590701	025245	MOLLETTA PER MANOPOLA	SPRING, KNOB	
27	0528845000	*	PROTEZIONE LAMPADA	LAMP GRID	Up to 2019/02
27	050089PL00	*	PROTEZIONE LAMPADA	LAMP GRID	From 2019/03
28	0214442903	052220	VITE M6 CON TESTA DIA.7.9	M6 SCREW DIA.7.9	From 2019/03
29	0516841100	0C3101	GHIERA	KNOB	From 2019/03

**Finanzen/Service**

**28307 Bremen**  
Thalendorststraße 15  
Tel.+49 421 48557-0  
Fax+49 421 488650  
bremen@nordcap.de

**Vertrieb Ost**

**12681 Berlin**  
Wolfener Straße 32/34, HausK  
Tel.+49 30 936684-0  
Fax+49 30 936684-44  
berlin@nordcap.de

**Vertrieb West**

**40699 Erkrath**  
Max-Planck-Straße 30  
Tel.+49 211 540054-0  
Fax+49 211 540054-54  
erkrath@nordcap.de

**Vertrieb Nord**

**21079 Hamburg**  
Großmoorbogen 5  
Tel.+49 40 766183-0  
Fax+49 40 770799  
hamburg@nordcap.de

**Vertrieb Süd**

**55218 Ingelheim**  
Hermann-Bopp-Straße 4  
Tel.+49 6132 7101-0  
Fax+49 6132 7101-20  
ingelheim@nordcap.de



[www.nordcap.de](http://www.nordcap.de)