

## Ersatzteilliste-Explosionszeichnung Umluft-Gewerbetiefkühlschrank **TKU 703 Premium**

[Art. 402728884]



**PREMIUM CABINETS 700 L**  
**FRIGORIFERI PREMIUM 700L**

**CLASS C and A**

Code	Model	Ref	Page	Description	Eng. Ch.
P71653/728884	CTE71FFCHP	a	2,3,4	1D FREEZ.670L-22° DIG.A304 R290 CLASS C	02-02
P71652/728883	CTE71FRCHP	b	2,3,4	1D REF.CAB670L-2°C DIG.A304 R290 CLASS A	02-02
110212	NPT71FRHP	c	2,3,4	1D REF.CAB670L R290-2°C DIG.A304 CLASS A	02-02
110213	NCT71FRHP	d	2,3,4	1D FREEZ.670L R290-22° DIG.A304 CLASS C	02-02
110581	ZRX71FRH	m	2,3,4	1-DOOR REFR 670L -2/+10°C,DIG (R290)-CLASS B	01-01
110582	ZRX71FFH	n	2,3,4	1DR FREEZ.670L -22-15°,DIG(R290)-CLASS C	01-01
<b>110878</b>	<b>ZRX71FRH</b>	<b>q</b>	<b>2,3,4</b>	<b>1-DOOR REFR. 670L -2/+10°C,DIG. WITH LIGHT-R290 CLASS B</b>	<b>00-00</b>
<b>190CD7</b>	<b>ERX71FRH</b>	<b>j</b>	<b>2,3,4</b>	<b>1-DOOR REFR. 670L -2/+10°C,DIG-R290-CLASS B-R290</b>	<b>00-00</b>
<b>190CD8</b>	<b>ERX71FFH</b>	<b>k</b>	<b>2,3,4</b>	<b>1-DOOR FREEZER 670L -22-15°,DIG(R290)-CLASS C-R290</b>	<b>00-00</b>
727633	ESP71FRCHP	e	2,3,4	1D REF.CAB670L R290-2°C DIG.A304 CLASS A	02-02
727634	ESP71FFCHP	f	2,3,4	1D FREEZ.670L R290-22°C DIG.A304 CLASS C	02-02
727808	ERX71FRH	o	2,3,4	1-DOOR REFR 670L -2/+10°C,DIG (R290)-CLASS B	03-03
727809	ERX71FFH	p	2,3,4	1-DOOR FREEZER 670L -22-15°,DIG(R290)-CLASS C	03-03
<b>727996</b>	<b>ERX71FRH</b>	<b>q</b>	<b>2,3,4</b>	<b>1-DOOR REFR. 670L -2/+10°C,DIG. WITH LIGHT-R290 CLASS B</b>	<b>01-01</b>
728924	CTE71FRCHPW	g	2,3,4	1D REF.CAB670L-2°C DIG.A304 R290 CLASS A	01-01
728925	CTE71FFCHPW	h	2,3,4	1D FREEZ.670L-22° DIG.A304 R290 CLASS C	00-00
<b>729525</b>	<b>ARX71FRH</b>	<b>q</b>	<b>2,3,4</b>	<b>1-DOOR REFR. 670L -2/+10°C,DIG. WITH LIGHT-R290 CLASS B</b>	<b>00-00</b>
729551	ARX71FRH	i	2,3,4	1D REF.CAB670L -2/+10°C,DIG (R290)-CLASS B	01-01
729552	ARX71FFH	l	2,3,4	1DR FREEZ.670L -22-15°,DIG(R290)-CLASS C	01-01

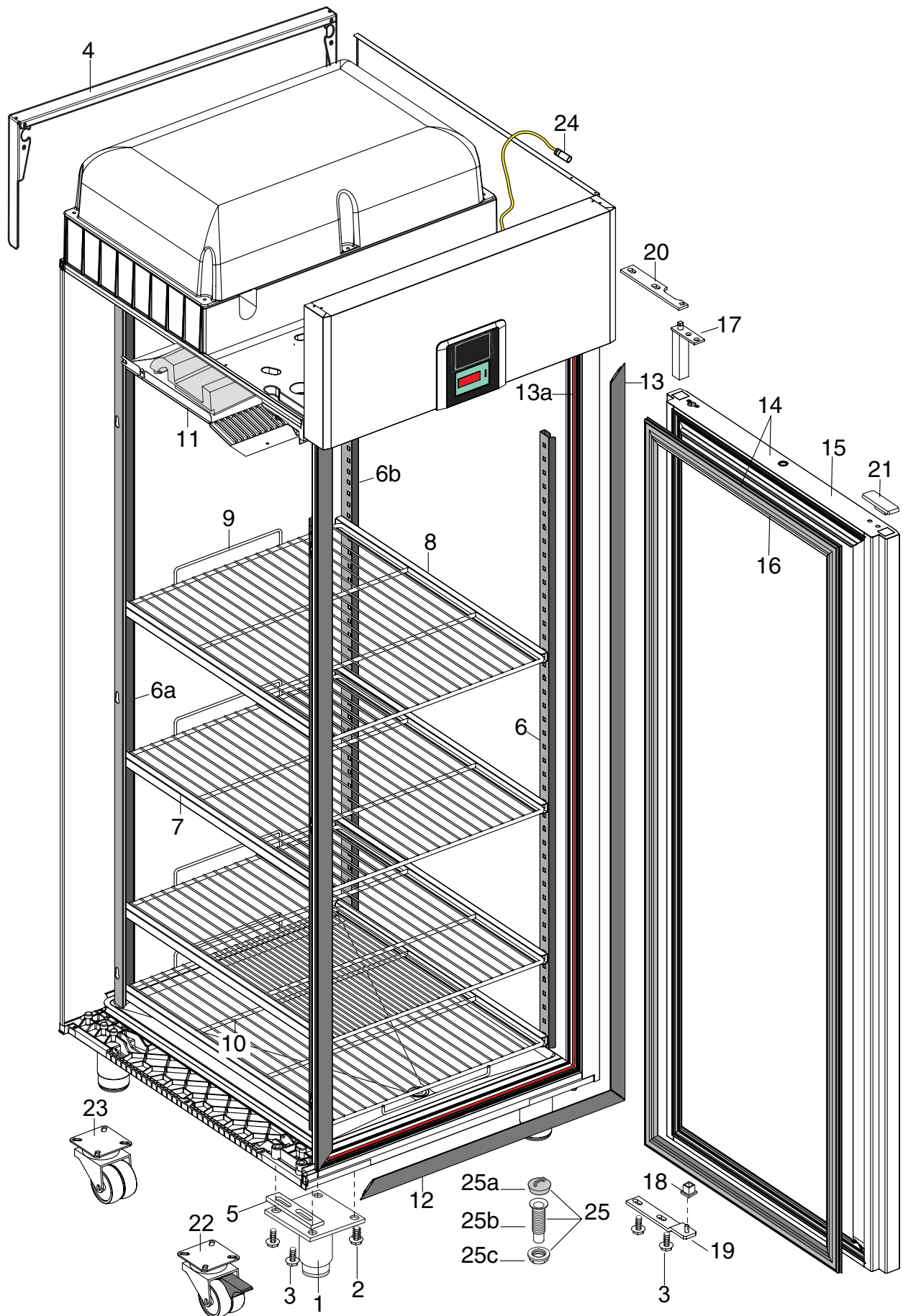
**Index**

Cabinet and door/Mobile e porta  
Cooling unit assembly/Gruppo refrigerante  
Control panel/Pannello comandi  
Spare parts list/Lista ricambi

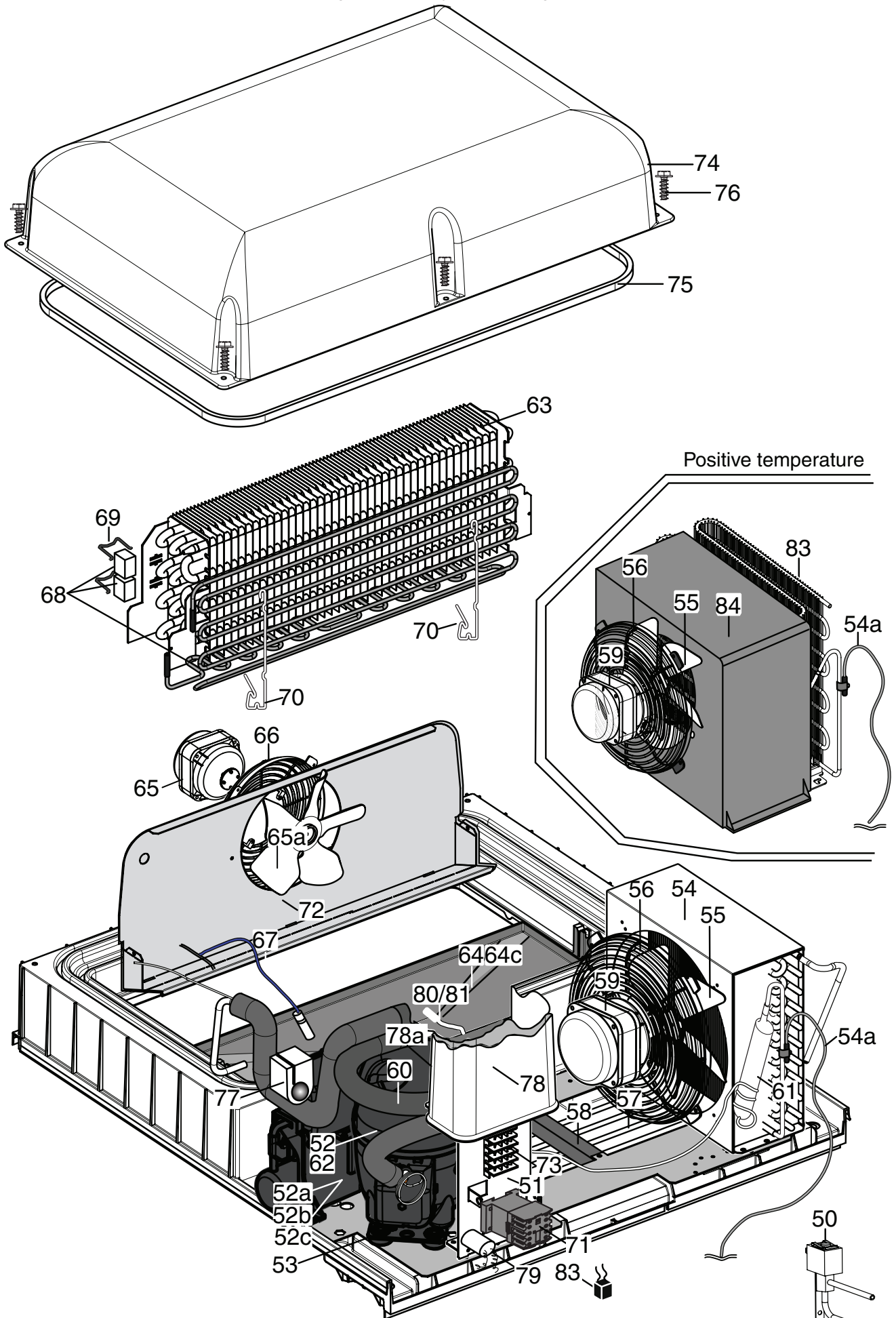
**Page**

2  
3  
4  
5...

Bold= last change/Grassetto =ultima modifica

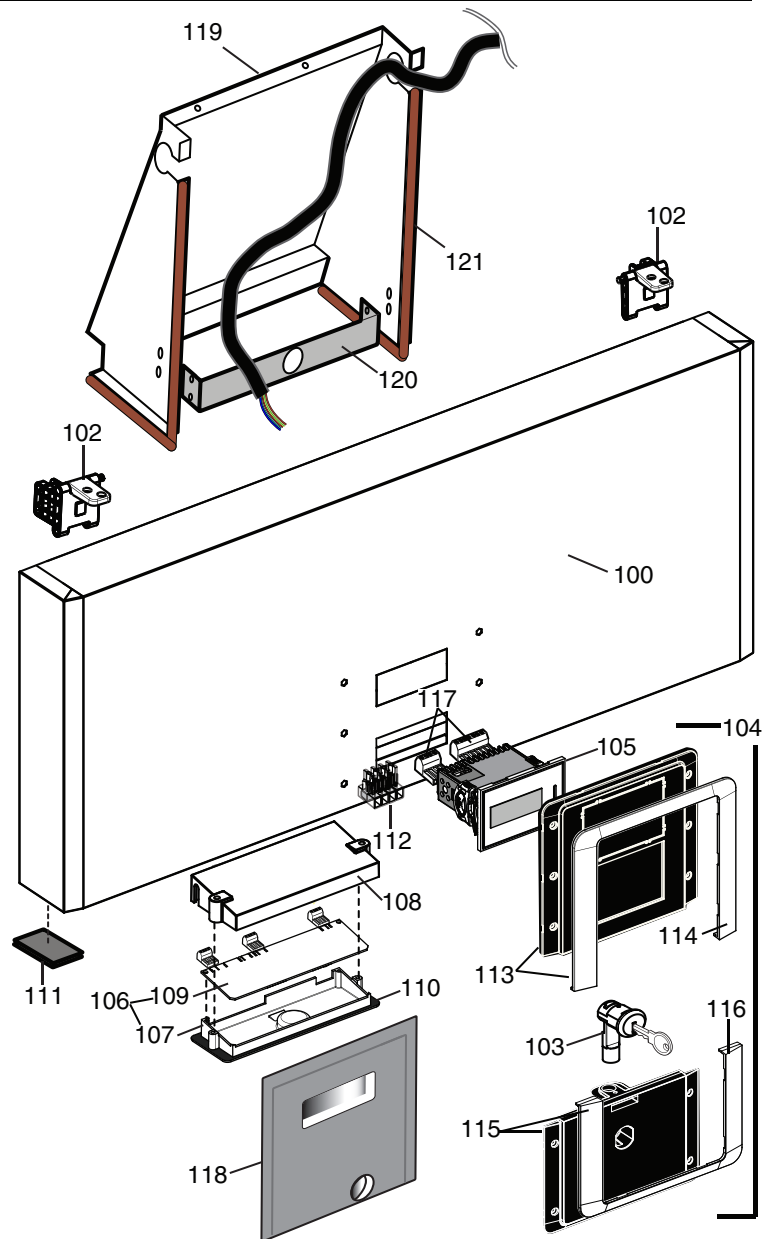


Cooling unit assembly/Gruppo refrigerante

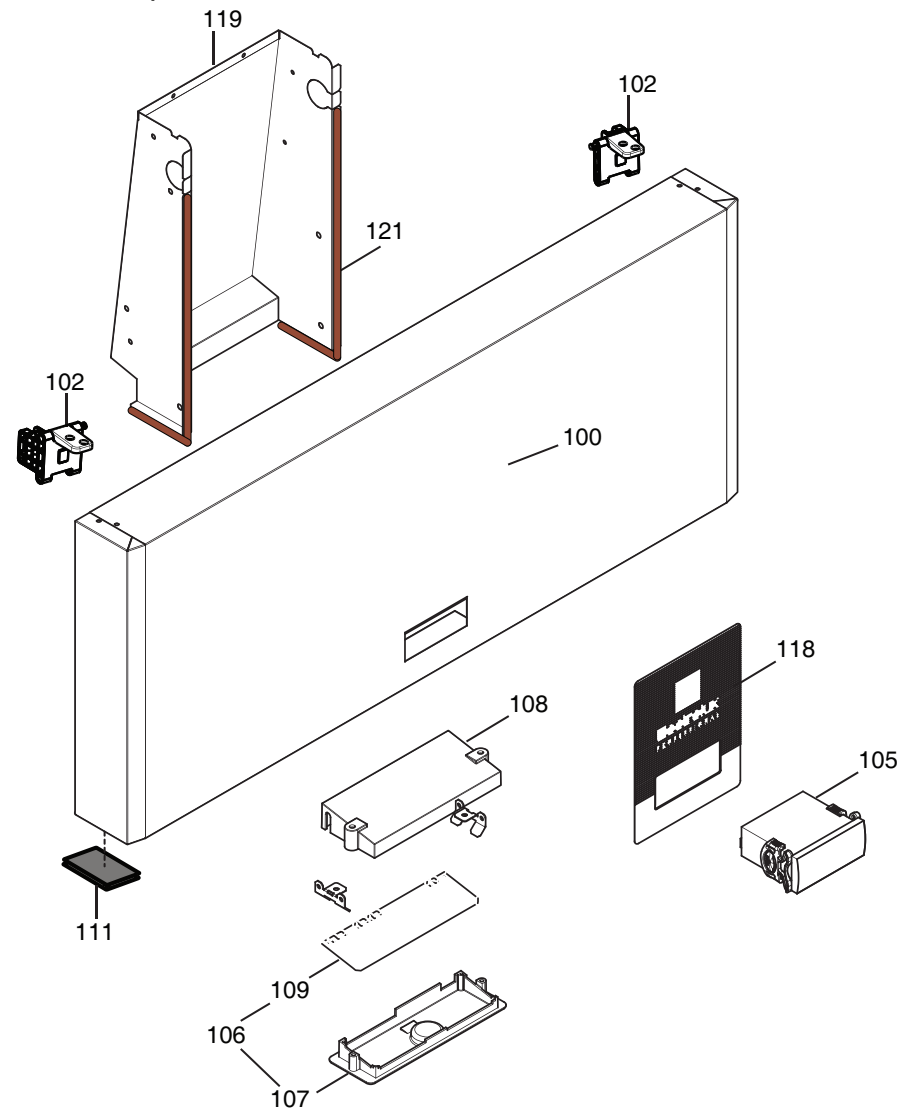




99



99 for ref q



PREMIUM CABINETS					CLASS C and A
Pos	Code	Factory code	Description	Descrizione	Ref/notes
Pag. 2		Cabinets and door		Mobile e porta	Illus:560156_p2
1	093243	541R05001	Piedino	Foot	
2	093245	217555204	Vite per plastica per piedino	Screw ( use by fix foot)	
3	093246	518708601	Vite M8x20 per fiss. staffa sup/inf	Screw M8X20 ( use by fix bracket)	
4		0502R91800	Staffa supporto fianchi	Side support (upper)	
5	093248	546R22800	Distanziale per piede	Foot spacer	
6	093355	501R36201	Cremagliera anteriore	Front Rack	a,b,c,d,e,f,g,h
6	093249	501R38201	Cremagliera anteriore	Front Rack	i,j,k,l,m,n,o,p
6a	093356	501R48300	Cremagliera posteriore dx 304	Right back rack	a,b,c,d,e,f,g,h
6b	093357	501R36101	Cremagliera posteriore sx 304	Left back rack	a,b,c,d,e,f,g,h
7	093358	501R48000	Guida Sx 304	Left support 304	a,b,c,d,e,f,g,h
7	093250	501R47900	Guida Sx 430	Left support 430	i,j,k,l,m,n,o,p
8	093359	501R48200	Guida Dx 304	Right support 304	a,b,c,d,e,f,g,h
8	093251	501R48100	Guida Dx 430	Right support 430	i,j,k,l,m,n,o,p
9	081883	0514702003	Griglia 2/1 aisi 304 530x650	Grid 2/1 aisi 304 530x650	a,b,g,h
9	093252	0514R10600	Griglia 2/1 rilsan 530x650	Grid 2/1 rilsan 530x650	c,d,e,f,i,l,m,n,o,p x2 j,k x4
10	094231	0514R17500	Griglia di fondo aisi 304	Bottom grid aisi 304	a,b,g,h
10	093253	0514R12200	Griglia di fondo rilsan	Bottom grid rilsan	c,d,e,f,i,j,k,l,m,n,o,p
11		0875R37600	Carter interno BT	Internal protection BT	a,d,f,h,k,l,n,p
11		0875R37400	Carter interno CL	Internal protection CL	b,c,e,g,i,j,m,o
12	093254	832R09001	Cornice orizzontale	Orizzontal frame	
13	093255	832R09101	Cornice verticale	Vertical frame	
13a	094842	0617R13300	Cavo riscaldante cornice 8.9 W 2W/M	Heating cable frame 8.9 W	b,c,e,g
13a	094841	0617R13200	Cavo riscaldante cornice 22,5 W 5W/M	Heating cable frame 22,5 W	a,d,f,h
13a	093330	0617R06701	Cavo riscaldante cornice	Heating cable frame	k,l,n,p
14		0881R39503	Porta con guarnizione e cerniere	Gasket, hinge and door	a,d,f,h
14	095820	0881R49002	Porta con guarnizione e cerniere	Gasket, hinge and door	b,c,e,g
14		882R49701	Porta con guarnizione e cerniere	Gasket, hinge and door	i,j,m,o
14		882R50000	Porta con guarnizione e cerniere	Gasket, hinge and door	k,l,n,p
<b>14</b>		<b>883R27800</b>	<b>Porta con guarnizione e cerniere</b>	<b>Gasket, hinge and door</b>	<b>q</b>
15	OTTAQ9	0835R49903	Porta	Door	a,d,f,h
15		0835R51102	Porta	Door	b,c,e,g
15	093581	0835R27407	Porta	Door	i,j,m,o
15	093311	0835R24208	Porta	Door	k,l,n,p
<b>15</b>		<b>0835R75600</b>	<b>Porta</b>	<b>Door</b>	<b>q</b>
16	094152	0548R08000	Guarnizione porta	Gasket door	
17	082219	835704001	Cerniera porta	Hinge door	
18	081654	544700601	Boccola per porta	Door bush	
19	094849	0833R35400	Staffa inferiore porta	Lower stirrup door	
20	094848	0505R24400	Staffa superiore porta	Upper stirrup door	
21	093271	541R05301	Tappo per cerniere	Hole hinge plug	
22	087110	0835739900	Ruota rotante con freno	Brake weel	g,h
23	087111	0835740000	Ruota rotante	Weel	g,h
24	093371	646R10900	Sonda ambiente	Ambient probe	a,b,c,d,e,f,g,h
25	094985	832R22400	Ass. piletta di scarico condensa	Discharge pipe water condenser ass.y	b,c,e,g

PREMIUM CABINETS					CLASS C and A
Pos	Code	Factory code	Description	Descrizione	Ref/notes
25a	085535	0545733700	Tappo per piletta	Discharge pipe water plug	b,c,e,g
25b	094847	0546R37700	Piletta di scarico condensa	Discharge pipe water condenser	b,c,e,g
25c	081797	0544701400	Controdado	Locknut	b,c,e,g
Pag. 3		Cooling unit		Gruppo refrigerante	Illustr:50156_p3
50	094435	0646R10502	Elettrovalvola WB4,5 6W 220/230V	Solenoid valve	a,d,f,h,k,l,n,p
52	094840	0684R11900	Compres. NEU2168U 220/50 hz R290	Compressor (NEU2168U ) 220/50hz	a,d,f,h,k,l,n,p
52	093425	0684R05700	Compres. EMT6144U 220/50 hz R290	Compress. EMT6144U 220/50 hz R290	b,c,e,g,i,j,m,o
52a	*	*	Relè avviamento	Start relay	
52b	*	*	Protettore	Protector	
52c	*	*	Condensatore di avviamento	Start capacitor	
53		0502R19300	Supporto per compressore	Support for compressor	
54	093333	830R04900	Condensatore 4R 11T	Condenser 4R 11T	a,d,f,h,k,l,n,p
54A	092360	646R09400	Sonda condensatore	Probe condenser	a,b,c,d,e,f,g,h
55	093365	0511R01000	Ventola 230-34	Ventola 230-34	
56	089755	0546709500	Protezione ventola 230	Fan protection 230	
57	095075	0515R21201	Serpentina evap. acqua di condensa	Evaporation water pipe	a,d,f,h,k,l,n,p
57	093259	0515R12701	Serpentina evap. acqua di condensa	Evaporation water pipe	b,c,e,g,i,j,m,o
58	093260	543R09300	Fissaggio serpentina	Stopper pipe	
59	094477	0682R08600	Ventilatore condensatore	Condenser ventilator	
60	094846	0858R15000	Scambiatore	Heat exchanger	a,d,f,h,k,l,n,p
60	096488	0858R06900	Scambiatore	Heat exchanger	b,c,e,g,i,j,m,o
61	084078	0805729802	Filtro Gr 40	Dehidrator filter Gr 40	a,d,f,h,i,k,n,p
61	099949	0858R00100	Filtro Gr 15	Dehidrator filter Gr 15	b,c,e,g,j,i,m,o
62	0A8171	A02021800	Valvola per compressore	Compressor valve (charge or disch.)	
63	094576	0830R10600	Evaporatore 3R 8T	Evaporator 2R 8T	
64	093278	833R21201	Vaschetta evaporatore acciaio	Evaporator tray steel	a,d,f,h,k,l,n,p
64	093469	0546R19201	Vaschetta evaporatore plastica	Evaporator tray plastic	b,c,e,g,i,j,m,o
64c	093409	548R07200	Isolante per vaschetta evaporatore	Insulation for evaporator tray	a,d,f,h,k,l,n,p
65	094487	0682R08700	Ventilatore evaporatore 1800	Evaporator fan 1800	a,d,f,h,k,l,n,p
65	093367	0682R05800	Ventilatore evaporatore 1500	Evaporator fan 1500	b,c,e,g,i,j,m,o
65a	093411	0511R01100	Ventola 154 34°	Fan 154 34°	a,d,f,h,k,l,n,p
65a	093783	0511R01200	Ventola 200 28°	Fan 200 28°	b,c,e,g,i,j,m,o
66	093412	514R12300	Griglia ventilatore	Fan support	a,d,f,h,k,l,n,p
66	089770	0546709600	Griglia ventilatore	Fan support	b,c,e,g,i,j,m,o
67	092173	0646R06700	Sonda cella	Cell probe	
68	094844	0617R13500	Resistenza con termo. 400W	Heating element with thermostat	a,d,f,h,i,k,n,p
68	094843	0617R13400	Resistenza con termo. 200W	Heating element with thermostat	b,c,e,g,i,j,m,o
69	093487	0514R11600	Molla per fissaggio termostati	Thermostat spring	
70	093516	0514R11200	Molla per fissaggio resistenza 3R	Heating element spring 3R	a,d,f,h,k,l,n,p
70	093508	0514R11102	Molla per fissaggio resistenza 3R	Heating element spring 3R	b,c,e,g,i,j,m,o
71	093848	0648R06300	Relè 66.82.8.230.0001	Relay 66.82.8.230.0001	a,d,f,h,j,k,l,n,p
72	094168	0501R71900	Convogliatore evaporatore	Evaporator conveyor	a,d,f,h,k,l,n,p
72	093370	0501R43902	Convogliatore evaporatore	Evaporator conveyor	b,c,e,g,i,j,m,o
73	093528	639R09900	Morsettiera	Clamp	
74	093261	835R24100	Assieme Calotta	Evaporator cover	Up to 6181
74	095201	835R47601	Assieme Calotta schiumata	Foamed Evaporator cover	From 6191

PREMIUM CABINETS					CLASS C and A
Pos	Code	Factory code	Description	Descrizione	Ref/notes
*	095200	881R32401	Modulo Calotta TN	Evaporator cover Module TN	a,c,e,g,j,m,o
*	095202	546R34400	Staffa per calotta schiumata	Support for foamed Evaporator	a
75	093262	14701R003	Neoprene espanso 8x13,3 nero (M4)	Gasket cover ( neoprene 8x13,3)	
76	093245	217555204	Vite senza punta x plastica	Cover screw	
77	093263	0546R19702	Tamponcino per tubi	Pipe cover insulation	
78	094425	546R26501	Copertura scatola impianto elettrico	Wiring box cover	
78a	093976	546R26701	Scatola impianto elettrico	Wiring box	
79	092257	694R00500	Filtro antisturbo	Electrical filter	
80	094845	0617R13600	Resistenza scarico condensa	Drain heating	a,d,f,h,k,l,n,p
81	093547	0514R12900	Molla per fissaggio resistenza scarico	Retaining spring for water heater discar.	a,d,f,h,k,l,n,p
83	093431	0830R06601	Condensatore a filo 5R	Wiring copndenser 5R	b,c,e,g,i,j,m,o
84	093602	0546R24200	Convogliatore condensatore	Condenser cover	b,c,e,g,i,j,m,o
Page 4		Control panel		Pannello di controllo	Illustr:50156_p4
99		0881R49201	Cruscotto completo senza template	Panel complete without template	a,d,f,h
99		0881R48901	Cruscotto completo senza template	Panel complete without template	b,c,e,g
99		0880R50107	Cruscotto completo senza template	Panel complete without template	i,m,o
99		0882R50101	Cruscotto completo senza template	Panel complete without template	l,n,p
99		<b>0883R27401</b>	<b>Cruscotto completo senza template</b>	<b>Panel complete without template</b>	<b>q</b>
99		<b>0883R37200</b>	<b>Cruscotto completo senza template</b>	<b>Panel complete without template</b>	<b>j</b>
99		<b>0883R36900</b>	<b>Cruscotto completo senza template</b>	<b>Panel complete without template</b>	<b>k</b>
100	095169	0509R20502	Cruscotto comandi senza componenti	Panel 304 AISI without components	a,b,c,d,e,f,g,h
100	093265	0509R12604	Cruscotto comandi senza componenti	Panel 304 AISI without components	i,j,k,l,m,n,o,p
100		<b>0509R24200</b>	<b>Cruscotto comandi senza componenti</b>	<b>Panel 304 AISI without components</b>	<b>q</b>
101	<b>094035</b>	<b>640R02100</b>	<b>Micro porta</b>	<b>Switch</b>	<b>i,j,k,l,m,n,o,p</b>
102	093609	0832R10100	Cerniera per cruscotto dx	Hinge for panel (right)	
102a	093610	0832R10200	Cerniera per cruscotto sx	Hinge for panel (left)	
103	093345	0833R20900	Serratura	Lock	
103	<b>093433</b>	<b>0833R21100</b>	<b>Serratura</b>	<b>Lock</b>	<b>q</b>
104	093385	0855R11300	Ass.mascherina porta/cruscotto Apx	Complete template door and panel	a,h
104	093382	0855R11000	Ass.mascherina porta/cruscotto Apx	Complete template door and panel	b,g
104	093381	0855R10900	Ass.mascherina porta/cruscotto Zan	Complete template door and panel	c
104	093384	0855R11200	Ass.mascherina porta/cruscotto Zan	Complete template door and panel	d
104	093380	0855R10801	Ass.mascherina porta/cruscotto Elux	Complete template door and panel	e
104	093383	0855R11101	Ass.mascherina porta/cruscotto Elux	Complete template door and panel	f
105	093437	0646R10602	Termoregolatore ir33 premium pc	Thermoregulator premium	a,b,c,d,e,f,g,h
105	093532	0646R10803	Termoregolatore ir33 IMEL1J0545	Thermoregulator IMEL1J0545	i,l,m,n,o,p
105	<b>093434</b>	<b>0646R11101</b>	<b>Termoregolatore ir33 IMEL1J0548</b>	<b>Thermoregulator IMEL1J0548</b>	<b>j,k,q</b>
106	093810	0855R12701	Led +supporto	Led-lamp + support	a,b,c,d,e,f,g,h,j,o
107	093386	0546R19501	Supporto scheda led	Support led-lamp	a,b,c,d,e,f,g,h
108	093387	0546R19600	Protezione scheda led	Protection led-lamp	a,b,c,d,e,f,g,h,j,o
109		648R05501	Scheda led depotenziata	Led-lamp board	a,b,c,d,e,f,g,h
110	093390	569R05900	Guarnizione per scheda led	Ledlamp board gasket	a,b,c,d,e,f,g,h,q
111	093269	541R05401	Tappo per cerniera porta	Door hinge plug	
112	093391	639R10400	Morsetto	Clamp	
113	*	0855R10400	Ass. mascherina cruscotto Apx	Assembled template panel Apx	a,h

PREMIUM CABINETS					CLASS C and A
Pos	Code	Factory code	Description	Descrizione	Ref/notes
113	*	0855R10100	Ass. mascherina cruscotto Apx	Assembled template panel Apx	b,g
113	*	0855R10000	Ass. mascherina cruscotto Zan	Assembled template panel Zan	c
113	*	0855R10300	Ass. mascherina cruscotto Zan	Assembled template panel Zan	d
113	*	0855R09900	Ass. mascherina cruscotto Elux	Assembled template panel Elux	e
113	*	0855R10200	Ass. mascherina cruscotto Elux	Assembled template panel Elux	f
114	*	0546R20100	Cornice mascherina cruscotto Z/Apx	Template frame for panel Z/Apx	a,b,c,d,g,h
114	*	0546R20000	Cornice mascherina cruscotto Elux	Template frame for panel Elux	e,f
115	*	0855R10700	Ass. mascherina porta Apx	Assembled template door Apx	a,b,g,h
115	*	0855R10600	Ass. mascherina porta Zan	Assembled template door Zan	c,d
115	*	0855R10500	Ass. mascherina porta Elux	Assembled template door Elux	e,f
116	*	0546R20300	Cornice mascherina porta Z/Apx	Control door frame Z/Apx	a,b,c,d,g,h
116	*	0546R20200	Cornice mascherina porta Elux	Control door frame Elux	e,f
*	093491	0217541085	Vite per fissaggio mascherina M3x8	Screws M3X8 for control door/panel	
117	*	639R06800	Connettore dritto 3 vie	Connector 3 ways right	
117	*	639R06900	Connettore dritto 7 vie	Connector 7 ways right	
117	099740	*	Connettore 90° 7 vie	Connector 7 ways 90°	
117	099741	*	Connettore 90° 5 vie	Connector 5 ways 90°	
117	088998	*	Connettore 90° 3 vie	Connector 3 ways 90°	
117	099743	*	Connettore 90° 3 vie piccolo	Connector 3 ways 90° small	
117	099742	*	Connettore 90° 2 vie	Connector 2 ways 90°	
117	091682	*	Connettore 90° 4 vie	Connector 4 ways 90°	
117	091684	*	Connettore 90° 5 vie	Connector 5 ways 90°	
*	093180	639R09600	Convertitore spina UK	UK plug converter	
118	095023	598R81601	Membrana Electrolux	Electrolux membrane	j,k,o,p
118	095022	598R81500	Membrana Zanussi	Zanussi membrane	m,n
118	095024	598R81700	Membrana neutra	Neutral membrane	i,l
118		<b>598R98500</b>	<b>Membrana Electrolux</b>	<b>Electrolux membrane</b>	<b>q - Electrolux</b>
118		<b>598R99100</b>	<b>Membrana Zanussi</b>	<b>Zanussi membrane</b>	<b>q - Zanussi</b>
118		<b>598R99200</b>	<b>Membrana Alpen</b>	<b>Alpen membrane</b>	<b>q - Alpen</b>
119	095389	501R37403	Protezione	Protection	q
120	093354	501R37502	Staffa per protezione	Support fro protection	i,j,k,l,m,n,o,p,
120		504R24400	Staffa per protezione	Support fro protection	q
121	0L0113	140088006	Guarnizione	Gasket	a,b,c,d,e,f,g,h,q





NordCap GmbH & Co. KG  
Thalendorststraße 15  
28307 Bremen  
Hauptsitz (Service, Finanzen & Personal, Lager, IT, Marketing)

Telefon: +49 421 48557-0  
Telefax: +49 421 488650  
E-Mail: [bremen@nordcap.de](mailto:bremen@nordcap.de)

Die NordCap Verkaufsniederlassungen in Deutschland:

Nord: Hamburg • Ost: Berlin • Süd: Ingelheim • West: Erkrath



**ALPENINOX**