

# Ersatzteilliste-Explosionszeichnung

## Geschirrspülmaschine **LS 5 DD**

[Art. 406400070]



**LAVASTOVIGLIE SOTTOTAVOLO / LAVASTOVIGLIE SOTTOTAVOLO  
CON ADDOLCITORE  
UNDERCOUNTER DISHWASHER / UNDERCOUNTER DISHWASHER  
WITH WATER SOFTENER**

**NUC/EUC/KUC/VUC/NUCA/ZUCA/FUCA/EUCA/VUCA  
EUC...WS/NUC...WS/VUC...WS/ZUC..WS**

Code	Type	Ref.	Pagina/ Page	Code	Type	Ref.	Pagina/ Page
400035	EUC1/2	c2	3 4 5 8	400076	ZUC1DP60	d2	3 4 5 8
400036	EUC1DP/2	c3	3 4 5 8	400077	EUC1GMS	c9	3 4 5 8
400040	EUC3/2	c4	3 4 5 8	400078	ZUC1G	d8	3 4 5 8
400041	NUC3DD	o	3 4 5 8	400079	ZUCA1DDG	f1	3 4 5 8
400045	EUC3DP/2	c5	3 4 5 8	400080	ZUC1GMS	d9	3 4 5 8
400046	EUC3DD/2	c6	3 4 5 8	400081	VUC1	e1	3 4 5 8
400049	ZUC1	d3	3 4 5 8	400082	VUC3	e2	3 4 5 8
400050	ZUC1DP	d4	3 4 5 8	400083	VUC3G	e3	3 4 5 8
400053	ZUC3	d5	3 4 5 8	400085	VUCA3G	e5	3 4 6 8
400055	EUC1	a	3 4 5 8	400086	VUC1G	e4	3 4 5 8
400056	EUC1DP	c	3 4 5 8	400087	EUC1O	e7	3 4 5 8
400059	EUC3	b	3 4 5 8	400088	ZUC3D	f2	3 4 5 8
400061	EUC3DP	d	3 4 5 8	400090	VUC1GMS	f3	3 4 5 8
400063	EUC1G	w	3 4 5 8	400095	EUCAGROWM	e8	3 4 6 8
400064	EUC1DP60	i	3 4 5 8	400096	EUCAGROW6M	e9	3 4 6 8
400065	EUC3DD	e	3 4 5 8	400097	EUC3DDMCD	e6	3 4 5 8
400066	ZUCADDROW	a1	3 4 6 8	400098	EUCA3DDMCD	a3	3 4 6 8
400067	ZUCADDROW60	a2	3 4 6 8	400116	FUCA3DD	v	3 4 6 8
400068	EUCADD60	b1	3 4 6 8	400120	NUC1DPP	a8	3 4 5 8
400069	ZUC3DP	d6	3 4 5 8	400121	EUC1DDM60	b9	3 4 5 8
400070	ZUC3DD	d7	3 4 5 8	400122	NUC1DUK	b4	3 4 5 8
400073	EUC1G/2	c7	3 4 5 8	400123	NUC1DDUK	b5	3 4 5 8
400074	EUCA1DDG	c8	3 4 6 8	400127	KUC3	m	3 4 5 8
400075	EUC1DP60	d1	3 4 5 8	400128	KUC3DP	n	3 4 5 8

**Pag./Page**

3	Vista generale
4	Componenti idraulici
5	Circuito idraulico a pressione
6	Circuito idraulico atmosferico
7	Circuito idraulico con addolcitore
8	Componenti elettrici
9-18	Lista ricambi

**Marchio/Brand:**

**Z - A - E**

**Paese/Country:**

Tutti/All

**Index**

Main view
Hydraulic components
Pressurized plumbing circuit
Atmospheric plumbing circuit
Water softner hydraulic circuit
Electrical components
Spare parts list

**LAVASTOVIGLIE SOTTOTAVOLO / LAVASTOVIGLIE SOTTOTAVOLO  
CON ADDOLCITORE  
UNDERCOUNTER DISHWASHER / UNDERCOUNTER DISHWASHER  
WITH WATER SOFTENER**

**NUC/EUC/KUC/VUC/NUCA/ZUCA/FUCA/EUCA/VUCA  
EUC...WS/NUC...WS/VUC...WS/ZUC..WS**

Code	Type	Ref.	Pagina/ Page	Code	Type	Ref.	Pagina/ Page
400130	NUC1DDRUKP	b6	3 4 5 8	400146	NUC3DP	k	3 4 5 8
400131	NUCA1GRUK	b7	3 4 6 8	400149	NUC1DP60	q	3 4 5 8
400132	NUC3DPP	c1	3 4 5 8	400150	NUC1DPA	r	3 4 5 8
400133	NUC1D	b2	3 4 5 8	400151	ZUCA1	s	3 4 6 8
400134	NUC1DD	b3	3 4 5 8	400152	ZUCA3	t	3 4 6 8
400137	EUCA1DP	a5	3 4 6 8	400153	EUCADDROW	a3	3 4 6 8
400138	NUC1GMS	a6	3 4 5 8	400154	EUCADDROW60	a4	3 4 6 8
400139	EUC3DPCAG	a7	3 4 5 8	400155	NUC1DPDD	b8	3 4 5 8
400140	NUC1	f	3 4 5 8	690028	NUC1G	x	3 4 5 8
400141	NUC1DP	g	3 4 5 8	698005	NUCA1DDG	z	3 4 6 8
400144	NUC3	h	3 4 5 8	698049	NUCA1DPDDG	a9	3 4 6 8

**UC WITH WATER SOFTENER**

Code	Type	Ref.	Pagina/ Page	Code	Type	Ref.	Pagina/ Page
400037	EUC1WS/2	f4	3 4 6 7 8	400060	EUC3WS	g5	3 4 6 7 8
400038	EUC1DPWS/2	f5	3 4 6 7 8	400062	EUC3DPWS	g6	3 4 6 7 8
400044	EUC3WS/2	f6	3 4 6 7 8	400071	ZUC3DPWS	g7	3 4 6 7 8
400047	EUC3DPWS/2	f7	3 4 6 7 8	400072	ZUC3DDWS	g8	3 4 6 7 8
400048	EUC3DDWS/2	f8	3 4 6 7 8	400084	VUCA3WSG	g9	3 4 6 7 8
400051	ZUC1WS	f9	3 4 6 7 8	400142	NUC1WS	h1	3 4 6 7 8
400052	ZUC1DPWS	g1	3 4 6 7 8	400143	NUC1DPWS	h2	3 4 6 7 8
400054	ZUC3WS	g2	3 4 6 7 8	400145	NUC3WS	h3	3 4 6 7 8
400057	EUC1WS	g3	3 4 6 7 8	400147	NUC3DPWS	h4	3 4 6 7 8
400058	EUC1DPWS	g4	3 4 6 7 8	400148	NUC3DDWS	h5	3 4 6 7 8

**Pag./Page**

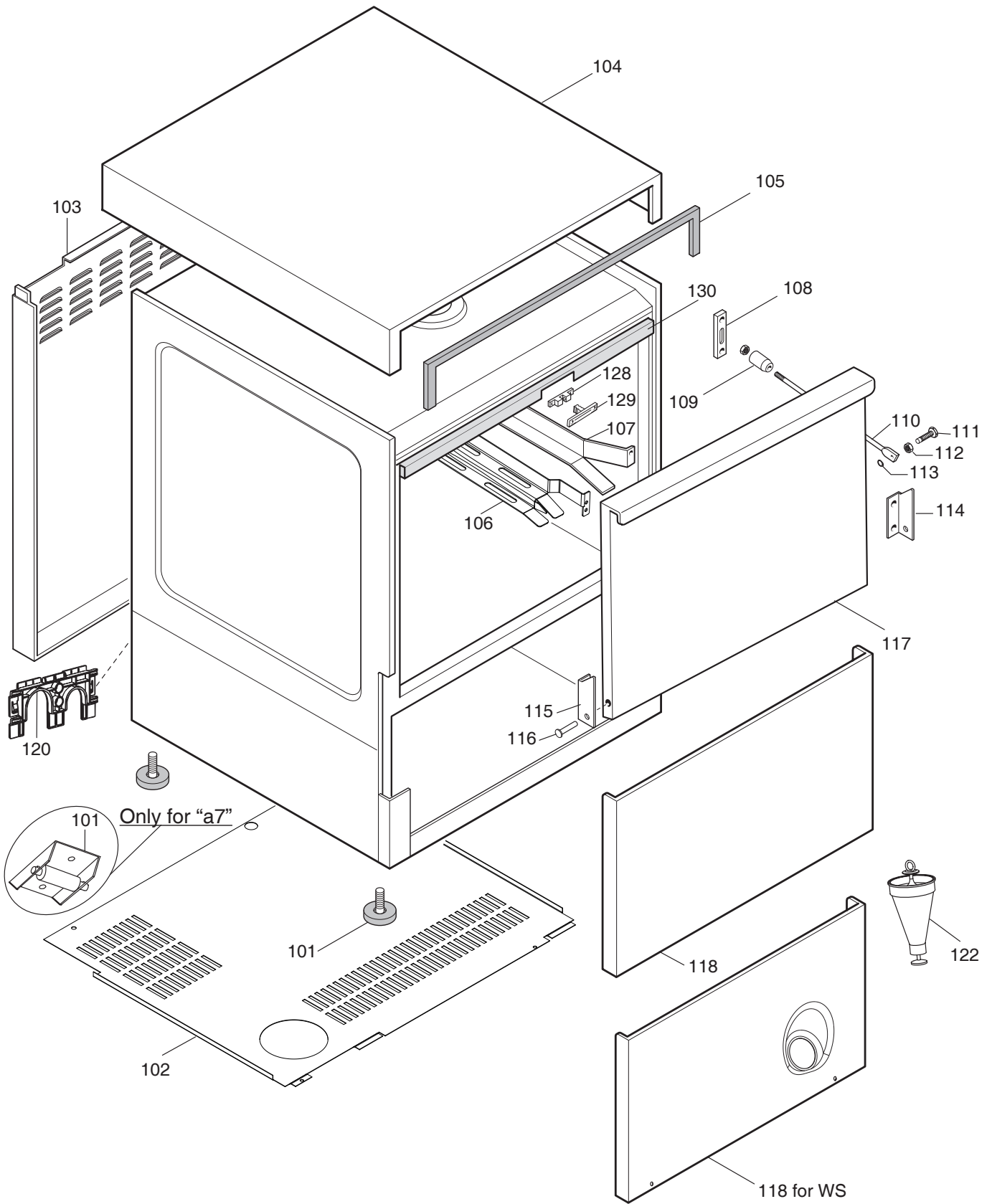
3  
4  
5  
6  
7  
8  
9-18  
**Marchio/Brand:**  
**Paese/Country:**

**Indice**

Vista generale  
Componenti idraulici  
Circuito idraulico a pressione  
Circuito idraulico atmosferico  
Circuito idraulico con addolcitore  
Componenti elettrici  
Lista ricambi  
**Z - A - E**  
Tutti/All

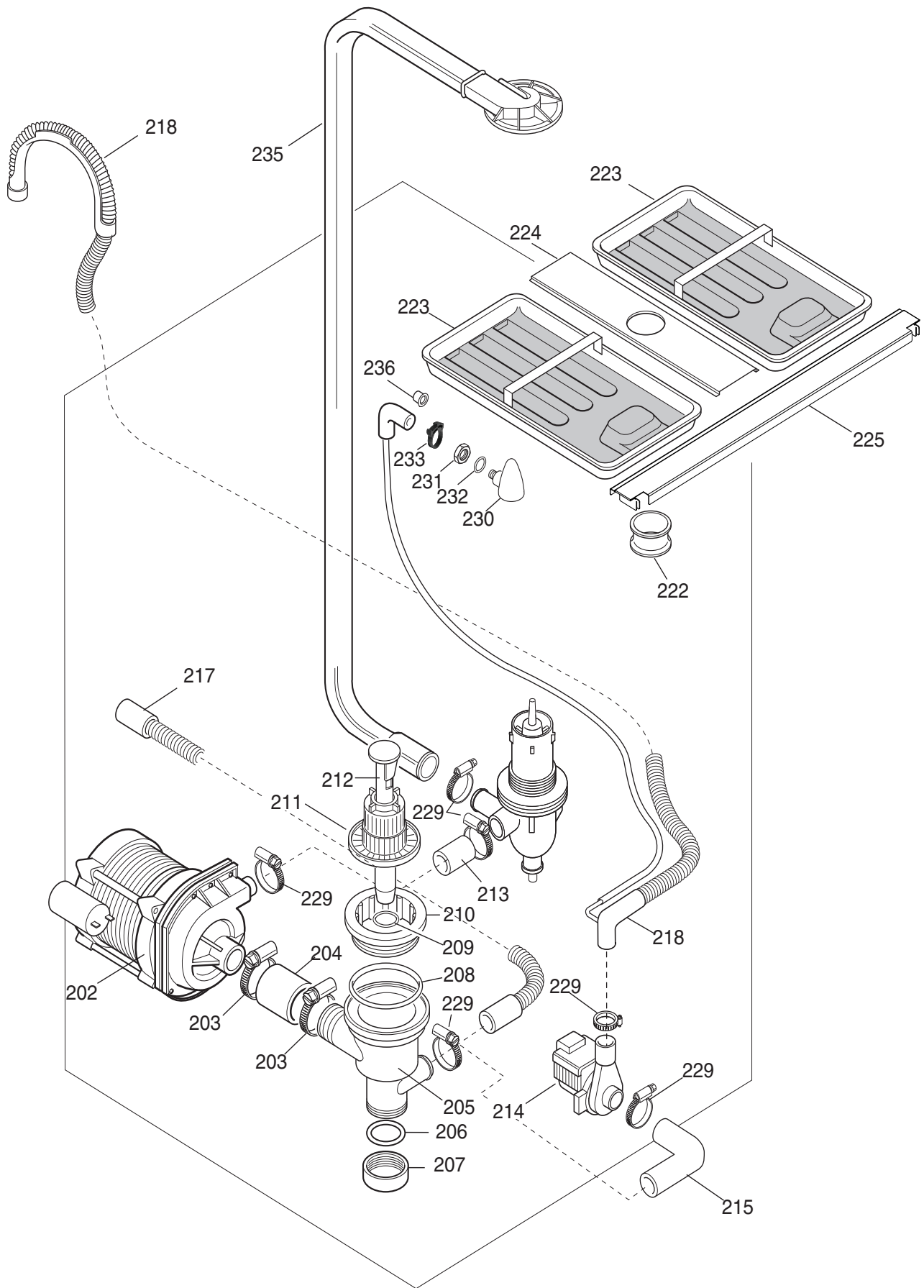
**Index**

Main view  
Hydraulic components  
Pressurized plumbing circuit  
Atmospheric plumbing circuit  
Water softner hydraulic circuit  
Electrical components  
Spare parts list



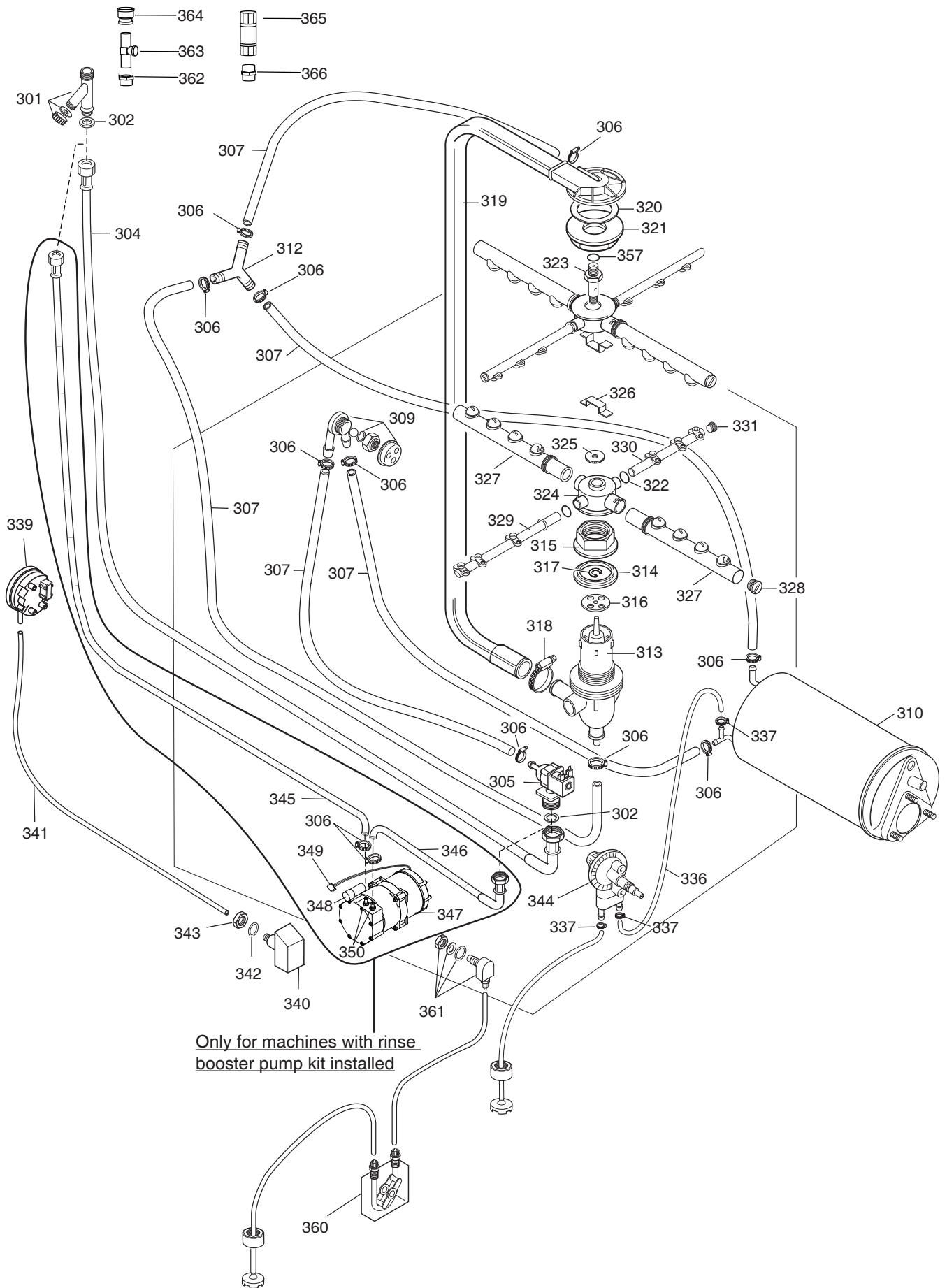
**Vista generale / Main View**

<p>Doc. Nr.: <b>59566UZ00</b></p>	<p>Ed. 2020.06 Updated 2020.06</p>	<p>Da Ser. Nr./ From Ser.nr.: 839...</p>
-----------------------------------	--	--



**Componenti idraulici / Hydraulic components**

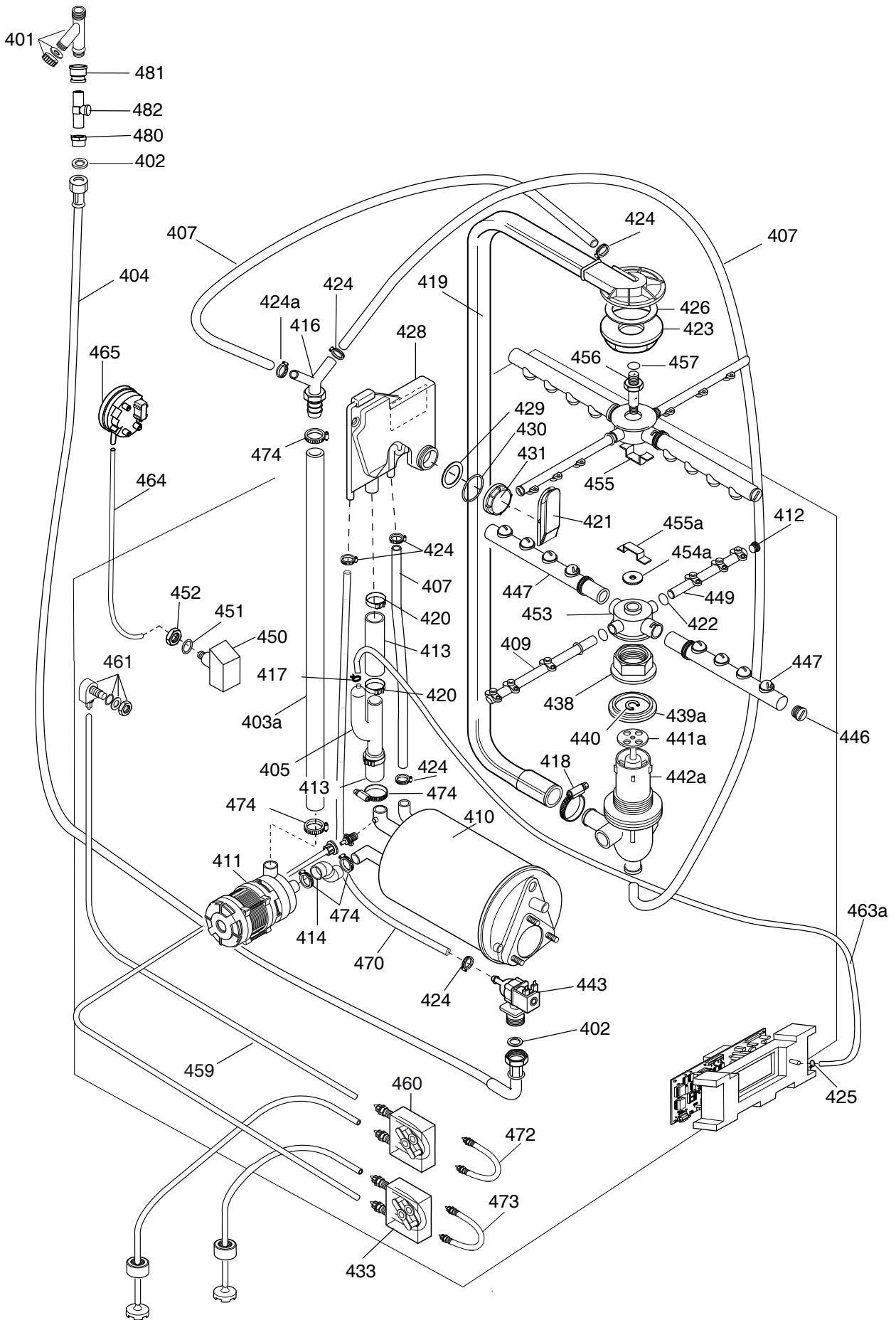
Doc. Nr.: <b>59566UZ00</b>	Ed. 2020.06 Updated 2020.06	Da Ser. Nr./ From Ser.nr.: 839...
----------------------------	--------------------------------	-----------------------------------



**Circuito idraulico a pressione / Pressurized plumbing circuit**

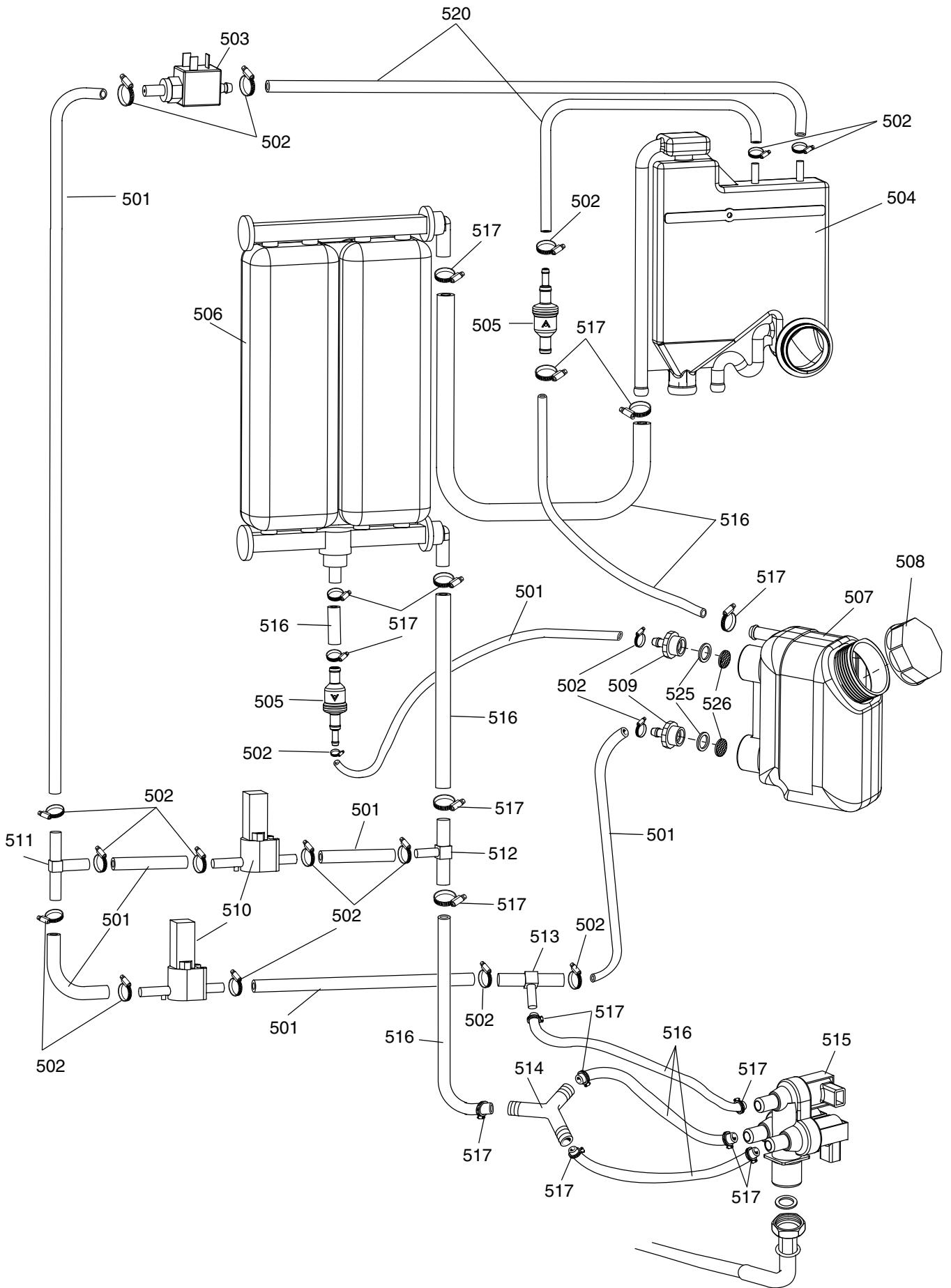
Doc. Nr.: <b>59566UZ00</b>	Ed. 2020.06 Updated 2020.06	Da Ser. Nr./ From Ser.nr.: 839...
----------------------------	--------------------------------	-----------------------------------





**Circuito idraulico atmosferico / Atmospheric plumbing circuit**

Doc. Nr.: <b>59566UZ00</b>	Ed. 2020.06 Updated 2020.06	Da Ser. Nr./ From Ser.nr.: 839...
----------------------------	--------------------------------	-----------------------------------

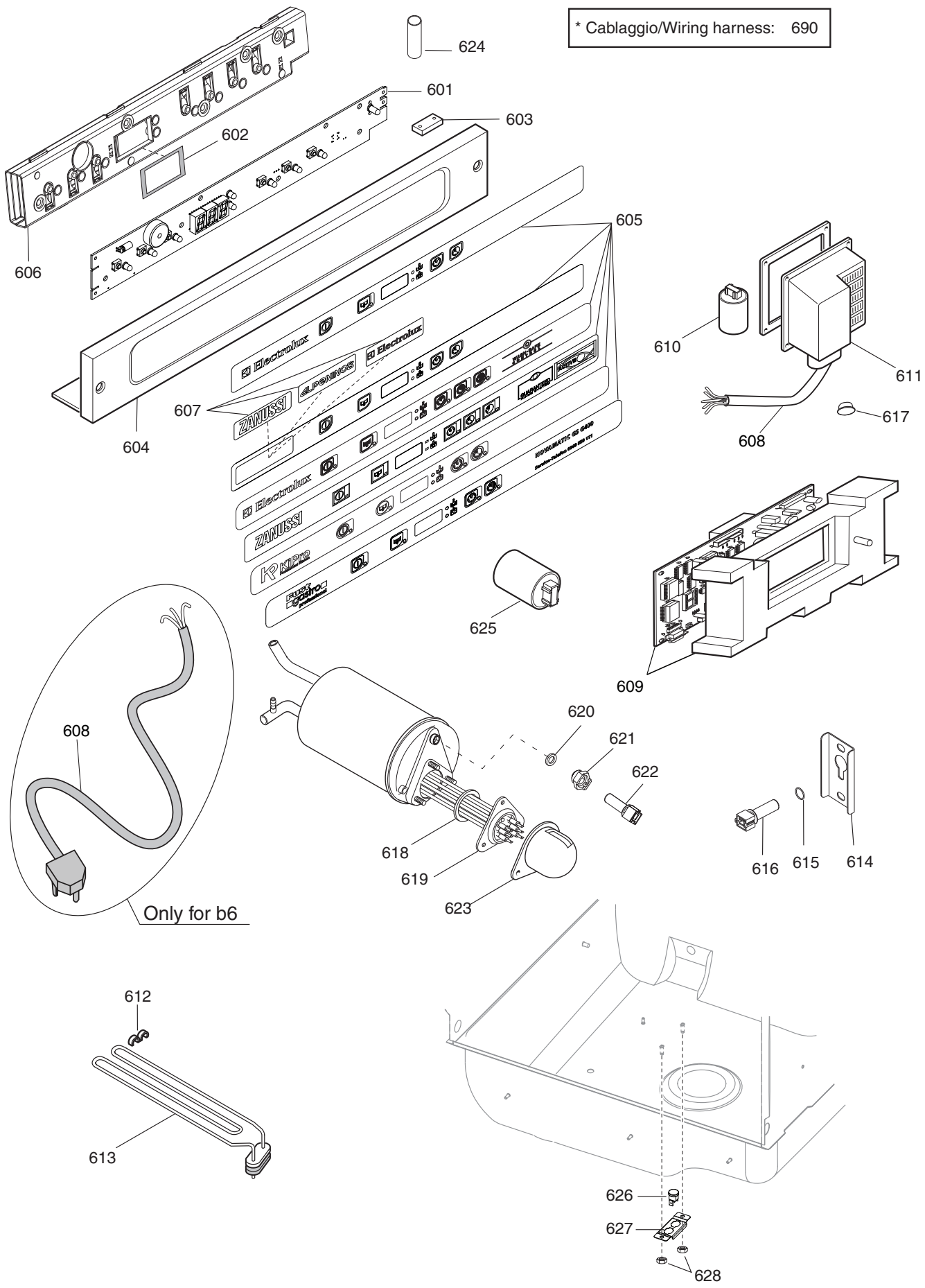


**Circuito idraulico con addolcitore / Water softner hydraulic circuit**

Doc. Nr.: <b>59566UZ00</b>	Ed. 2020.06 Updated 2020.06	Da Ser. Nr./ From Ser.nr.: 839...
----------------------------	--------------------------------	-----------------------------------



\* Cablaggio/Wiring harness: 690



**Componenti elettrici / Electrical components**

Doc. Nr.: <b>59566UZ00</b>	Ed. 2020.06 Updated 2020.06	Da Ser. Nr./ From Ser.nr.: 839...
----------------------------	--------------------------------	-----------------------------------

**LAVASTOVIGLIE SOTTOTAVOLO NUC/ EUC/ KUC/ NUCA/ ZUCA/ FUCA/ EUCA  
UNDERCOUNTER DISHWASHER NUC/ EUC/ KUC/ NUCA/ ZUCA/ FUCA/ EUCA**

**Grassetto = variazioni  
Bold Print = changes**

Pos.	Cod. Ric. Part No.	Descrizione	Description	Note / Notes
		<b>Pagina 3: Vista generale</b>	<b>Page 3: Main view</b>	
101	048994	Piedino marine	Marine foot	b9
101	049393	Piedino regolabile	Adjustable foot	
101	0L0118	Piede a rullo	Roller	a7
102	0L2434	Fondo	Bottom panel	From Ser. Nr.: 048
102	0TT903	Fondo	Bottom panel	Up to Ser. Nr.: 047
103	0L1888	Schienale	Rear panel	Not for s,t,v,z,a1,a2,a3,a4,a5, a9,b1,b7 Up to Ser. Nr.: 012
103	0L1889	Schienale	Rear panel	Not for z,a9,b7 From Ser. Nr.: 013 Up to Ser. Nr.: 029
103	0L2070	Schienale	Rear panel	s,t,v,z,a1,a2,a3,a4,a5,a9,b1,b7 Up to Ser. Nr.: 012
103	0L2433	Schienale	Rear panel	z,a9,b7,c8,d9 From Ser. Nr.: 013
103	0L2567	Schienale	Rear panel	Not for z,a9,b7 From Ser. Nr.: 030
104	0L0122	Coperchio	Top panel	Up to Ser. Nr.: 012
104	0L0257	Coperchio	Top panel	From Ser. Nr.: 013
105	046583	Guarnizione	Gasket	
106	0L2565	Supporto cesto destro	Right basket support	a3,a6,c9,d9,f3 From Ser. Nr.: 030
106	0L2566	Supporto cesto sinistro	Left basket support	a3,a6,c9,d9,f3 From Ser. Nr.: 030
107	049272	Supporto cesto destro	Right basket support	Not for r,a3,a6,c9,d9 Up to Ser. Nr.: 012
107	049273	Supporto cesto sinistro	Left basket support	Not for r,a3, a6,c9,d9 Up to Ser. Nr.: 012
107	0L2252	Supporto cesto sinistro	Left basket support	Not for r,a3, a6,c9,d9,f3 From Ser. Nr.: 013
107	0L2254	Supporto cesto destro	Right basket support	Not for r,a3,a6,c9,d9,f3 From Ser. Nr.: 013
108	049285	Placca	Plate	
109	049286	Ammortizzatore	Absorber	
110	049282	Tirante	Tie rod	
111	049283	Perno per tirante	Pin, for tie rod	
112	049372	Dado autobl. basso	Locking nut, flat	
113	049284	Anello seger	C-Clamp	
114	049279	Cerniera destra	Right hinge	Up to Ser. Nr.: 012
114	0L2253	Cerniera destra	Right hinge	From Ser. Nr.: 013
115	049280	Cerniera sinistra	Left hinge	Up to Ser. Nr.: 012
115	0L2251	Cerniera sinistra	Left hinge	From Ser. Nr.: 013
116	049281	Perno cerniera	Hinge pin	Up to Ser. Nr.: 012
116	0L2255	Perno cerniera	Hinge pin	From Ser. Nr.: 013
117	049951	Porta	Door	Up to Ser. Nr.: 920

**LAVASTOVIGLIE SOTTOTAVOLO NUC/ EUC/ KUC/ NUCA/ ZUCA/ FUCA/ EUCA  
UNDERCOUNTER DISHWASHER NUC/ EUC/ KUC/ NUCA/ ZUCA/ FUCA/ EUCA**

**Grassetto = variazioni  
Bold Print = changes**

Pos.	Cod. Ric. Part No.	Descrizione	Description	Note / Notes
117	0L2068	Porta	Door	From Ser. Nr.: 921
118	0L1649	Pannello frontale	Front panel	Not for WS models Up to Ser. Nr.: 029
118	0L2568	Pannello frontale	Front panel	Not for WS models From Ser. Nr.: 030
118	0L1668	Pannello frontale	Front panel	For WS models
119	047551	Coperchio vaschetta	Container lid	
120	0L0112	Copertura passatubi	Hoses protection	
122	047604	Misurino sale	Salt funnel	For WS models
128	049271	Scrocchetto	Snap catch	
129	049536	Nasello	Door-stop	
130	0L0021	Guarnizione	Gasket	
		<b>Pagina 4: Componenti idraulici</b>	<b>Page 4: Hydraulic components</b>	
202	0L0126	Pompa Lavaggio	Wash pump	Not for "i,q,a2,a4,b1" - 50Hz
202	0L0562	Pompa Lavaggio	Wash pump	i,q,a2,a4,b1,b9,d1,d2 - 60Hz
203	0L0193	Fascetta 40-60	Hose clamp 40-60	
204	0L1374	Tubo aspirazione pompa	Pump hose	
205	048325	Coll. Asp. Scarico	Drain manifold	
206	049828	Guarniz. Tappo Ter. Sc.	Gasket	
207	046596	Tappo Terminale Sc.	Plug; for manifold	
208	049894	OR 4*110 Asp Sc.	O Ring	
209	046799	OR Troppo Pieno	O Ring	
210	048326	Ghiera collettore Asp. Sc.	Ring nut; for manifold	
211	048324	Filtro Aspirazione pompa	Filter; for pump	
212	048323	Troppo pieno	Overflow pipe	a,b,f,h,m,s,t,b2,b4,c2,c4,d3, d5,e1,e2,e7,f2,f4,f6,f9,g2,g3, g5,h1,h3
212	048842	Troppo pieno	Overflow pipe	c,d,e,g,n,o,k,r,i,q,w,x,v,z,a1,a2, a3,a4,a5,a6,a7,a8,a9,b1,b3, b5,b6,b7,b8,c1,c3,c5,c6,c7,c8, c9,d1,d2,d4,d6,d7,d8,d9,e1, e3,e4,e5,e6,e8,e9,f3,f5,f7,f8, g1,g4,g6,g7,g8,g9,h2,h4,h5
213	0L0259	Tubo Gomma 37x52	Hose	
214	0L0994	Pompa scarico	Drain pump	50hz - c,d,e,g,n,o,k,r,w,x,v,z, a1,a3,a5,a6,a7,a8,a9,b3,b5,b 6,b7,b8,g4,g6,h2,h4,h5 Up to Ser. Nr.: 144
214	0L2133	Pompa scarico	Drain pump	50hz c,d,e,g,n,o,k,r,w,x,v,z,a1,a3, a5,a6,a7,a8,a9,b3,b5,b6,b7, b8,c1,c3,c5,c6,c7,c8,c9,d4,d6, d7,d8,d9,e3,e4,e5,e6,e8,f3, f5,f7,f8,g1,g4,g6,g7,g8,g9, h2,h4,h5 From Ser. Nr.: 145

**LAVASTOVIGLIE SOTTOTAVOLO NUC/ EUC/ KUC/ NUCA/ ZUCA/ FUCA/ EUCA**  
**UNDERCOUNTER DISHWASHER NUC/ EUC/ KUC/ NUCA/ ZUCA/ FUCA/ EUCA** **Grassetto = variazioni**  
**Bold Print = changes**

Pos.	Cod. Ric. Part No.	Descrizione	Description	Note / Notes
214	0L1131	Pompa scarico	Drain pump	60hz i,q,a2,a4,b1 Up to Ser. Nr.: 144
214	0L2133	Pompa scarico	Drain pump	60hz i,q,a2,a4,b1,d1,d2,e9 From Ser. Nr.: 145
215	049877	Manicotto asp scarico	Coupling; drain	c,d,e,f,g,k,i,n,o,q,r,w,v,x,z,a1,a2, a3,a4,a5,a6,a7,a8,a9,b1,b2,b3, b4,b5,b6,b7,b8,c1,c2,c3,c5,c6, c7,c8,c9,d1,d2,d3,d4,d6,d7, d8,d9,e1,e3,e4,e5,e6,e7,e8, e9,f3,f5,f7,f8,g1,g4,g6,g7,g8, g9,h2,h4,h5
217	0L4552	Tubo Scarico	Drain pipe	a,b,f,h,m,s,t,b2,b4,c2,c4,d3, d5,e1,e2,e7,f2,f4,f6,f9,g2,g3, g5,h1,h3
218	049878	Tubo Scarico	Drain pipe	c,d,e,g,n,o,k,i,q,r,w,x,v,z,a1,a2, a3,a4,a5,a6,a7,a8,a9,b1,b3, b5,b6,b7,b8,c1,c3,c5,c6,c7,c8, c9,d1,d2,d4,d6,d7,d8,d9,e3,e4, e5,e6,e8,e9,f3, f5,f7,f8,g1, g4,g6,g7,g8,g9,h2,h4,h5
222	0L0078	Supporto Filtro	Filter support	z,a1,a2,a3,a4,a6,a9,b1,b7,c8, c9,d9,e5,e6,e8,e9,f1,f3
223	049908	Filtro Vasca	Tank filter	z,a1,a2,a3,a4,a6,a9,b1,b7,c8, c9,d9,e5,e6,e8,e9,f1,f3
224	0L2431	Supporto Centrale filtri	Central support for filters	z,a1,a2,a3,a4,a6,a9,b1,b7,c8, c9,d9,e5,e6,e8,e9,f1,f3
225	0L2430	Supporto Anteriore filtri	Front support for filters	z,a1,a2,a3,a4,a6,a9,b1,b7,c8, c9,d9,e5,e6,e8,e9,f1,f3
229	046878	Fascetta 35-50	Hose clamp 35-50	
230	048853	Nasello per vasca	Spigot; air relief	
231	049268	Dado ES.M14X1,5	Nut; M14x1,5	
232	068642	OR 3062; 2,62X15,54	O Ring	
233	046946	Fasc. Torro. W2 8-12/7,5 IVP	Hose clamp 8-12	Up to Ser: 2014-49 for products w/o WS Always for WS products
233	0L3522	Fasc. in plastica con crichetto	Herbie Clip nylon hose clamp	From Ser: 2014-50 except for WS products
235	0L0125	Tubo Lavaggio	Wash pipe	
236	049849	Tappo ingresso det.	Plug inlet det.	Not for a,b,d,q,a5,b5,c2,c4,d1, d3,d5,d6,d8,d9,e2
		<b>Pagina 5: Circuito idraulico a pressione</b>	<b>Page 5: Pressurized plumbing circuit</b>	Not for s,t,v,z,a1,a2,a3,a4, a5,a9,b1,b7,c8,e5,e8,e9,f1 and WS products
301	048834	Assieme filtro	Filter assembly	
302	0L1945	Guarnizione	Gasket	
304	0L1887	Tubo alimentazione	Supply pipe	

**LAVASTOVIGLIE SOTTOTAVOLO NUC/ EUC/ KUC/ NUCA/ ZUCA/ FUCA/ EUCA  
UNDERCOUNTER DISHWASHER NUC/ EUC/ KUC/ NUCA/ ZUCA/ FUCA/ EUCA**

**Grassetto = variazioni  
Bold Print = changes**

Pos.	Cod. Ric. Part No.	Descrizione	Description	Note / Notes
305	048817	Elettrovalvola	Electrovalve	
306	048126	Fascetta 13-20	Hose clamp 13-20	
307	048531	Tubo	Hose	
309	0L1892	Valvola DVGW, compl.	DVGW Valve, compl.	
310	0L1890	Boiler	Boiler	Up to Ser. Nr.: 920
310	0L0352	Boiler	Boiler	From Ser. Nr.: 921
310	0L1982	Boiler	Boiler	e7
312	048195	Raccordo 3 vie	3 way connection	
313	049290	Supporto getti, inferiore	Jets support, lower	
314	048236	Guarnizione	Gasket	
315	048330	Ghiera, fiss. supporto getti	Ring nut, jets support locking	
316	048820	Parzializzatore	Flow reducer	
317	048979	Anello	O-ring	
318	046878	Fascetta 38-50	Hose clamp 38-50	
319	0L0125	Tubo collegamento getti	Connection pipe for wash jets	
320	0L0110	Guarnizione Supp. Getti Sup.	Gasket	
321	048824	Ghiera	Ring nut	
322	047473	O-Ring 2056- 1,78x14,00	O-Ring	
323	049292	Perno, per supporto getti	Pin, for jets support	
324	049293	Assieme mozzo, per getti	Hub assembly, for jets	
325	047282	Rondella di fermo	Lock washer	
326	049294	Protezione rondella	Washer bracket	
327	049295	Assieme getto di lavaggio	Wash jet assembly	
328	049296	Tappo, per getti lavaggio	Plug, for wash jets	
329	049297	Getto risciacquo, lungo	Rinse jet, long	
330	049298	Getto risciacquo, corto	Rinse jet, short	
331	049299	Tappo, per getti risciacquo corti	Plug, for short rinse jets	
334	067292	Guarnizione	Gasket	
336	048883	Tubo	Pipe	
337	046946	Fascetta 8-12	Hose clamp 8-12	
339	049881	Pressostato	Pressure switch	
340	048308	Trappola d'aria per pressost.	Air trap	
341	049904	Tubo	Hose	
342	068642	OR 2062x15.54	O Ring	
343	049268	Dado M14x1.5	Nut; M14x1,5	
344	0L0094	Dosatore idraulico	Rinse aid dispenser	Up to Ser. nr. 347 Not for f,g,h,k,m,n,o,q,x,a6,a7, a8,b4,b5,b6
344	0L3182	Dosatore idraulico	Rinse aid dispenser	From Ser. nr. 348 up to 7401 f,g,h,k,m,n,o,q,x,a6,a7,a8,b2, b4,b5,b6,c1,c2,c3,c4,c5,c6,c7, c9,d1,d2,d3,d4,d5,d6,d7,d8,d9, e6,e7,f2,f3

**LAVASTOVIGLIE SOTTOTAVOLO NUC/ EUC/ KUC/ NUCA/ ZUCA/ FUCA/ EUCA** **Grassetto = variazioni**  
**UNDERCOUNTER DISHWASHER NUC/ EUC/ KUC/ NUCA/ ZUCA/ FUCA/ EUCA** **Bold Print = changes**

Pos.	Cod. Ric. Part No.	Descrizione	Description	Note / Notes
344	0L4295	Dosatore idraulico	Rinse aid dispenser	From Ser. nr. 7411 f,g,h,k,m,n,o,q,x,a7,a8,b6,b8, b9,c1,c2,c3,c4,c5,c6,c7,c9,d1, d2,d3,d4,d5,d6, d7,d8,d9,e1, e2,e3,e4,e6,e7,f2,f3
345	0L2394	Tubo ingresso acqua	Water inlet pipe	Rinse booster pump kit
346	0L2389	Tubo uscita pompa	Pump outlet pipe	Rinse booster pump kit
347	0L2391	Pompa + condensatore	Pump + capacitor	Rinse booster pump kit
348	049126	Condensatore	Capacitor	8 µF - Rinse booster pump kit
349	0L2392	Cavetto di terra	Ground cable	Rinse booster pump kit
350	0L2393	Portagomma G 3/8" M	Fitting G 3/8" M	Rinse booster pump kit
	0L2390	(Pompa + condensatore) + cavetto di terra+portagomma	(Pump + capacitor) + ground cable + fitting	(pos. 347 + pos. 349 + pos. 350) Rinse booster pump kit
357	047986	O-Ring 2050 - 1,78x12,42	O-Ring	
360	0S1986	Pompa detergente	Pump; detergent	a,b,d,h,j,k,o,q,r,s,t,v,y,z,a2,a4, a5,a7,b1,b4,b5,b7,b9,c1,c2, c3,c4,c7,c8,d1,d6,d9,e2
361	049801	Iniettore detergente	Iniection spigot	a,b,d,h,j,k,o,q,r,s,t,v,y,z,a2,a4, a5,a7,b1,b4,b5,b7,b9,c1,c2, c3,c4,c7,c8,d1,d6,d9,e2
362	0L0262	Riduzione M.3/4" - F.1/2"	Adapter M.3/4" - F.1/2"	w,x,c7,d8,e4 From Ser. Nr.: 014
363	0L0264	Valvola di non ritorno	No back-flow valve	w,x,c7,d8,e4 From Ser. Nr.: 014
364	0L0263	Manicotto F.3/4"- F.1/2"	Coupling F.3/4"- F.1/2"	w,x,c7,d8,e4 From Ser. Nr.: 014
365	0L2980	Doppia valvola di non ritorno	Double no back-flow valve	a6,c9,d9,f3 - From Ser. Nr. 316
366	072457	Raccordo M.3/4" - M.3/4"	Coupling M.3/4"- M.3/4"	a6,c9,d9,f3 - From Ser. Nr. 316
		<b>Pagina 6: Circuito idraulico atmosferico</b>	<b>Page 6: Atmospheric plumbing circuit</b>	Only for s,t,v,z,a1,a2,a3,a4, a5,a9,b1,b7,c8,e5,e8,e9,f1 and WS products
401	048834	Assieme filtro	Filter assembly	
402	0L1945	Guarnizione	Gasket	
403	049773	Tubo Ø 26x37	Pipe Ø 26x37	660 mm
404	0L1887	Tubo alimentazione	Feed hose	
405	0L0098	Trappola d'aria	Air trap	
407	048531	Tubo	Hose	
409	049297	Getto risciacquo, lungo	Rinse jet, long	
410	0L1891	Boiler	Boiler	Up to Ser. Nr: 920
410	0L0351	Boiler	Boiler	From Ser. Nr: 921
411	0L2597	Pompa risciacquo	Rinse pump	Not for "a2,a4,b1"- 50 Hz
411	0L2598	Pompa risciacquo	Rinse pump	a2,a4,b1 - 60 Hz
412	049299	Tappo per getti risciacquo	Pipe for rinse jet	
413	0L4453	Tubo Ø 25,5X32	Pipe Ø 25,5X32	
414	0L2064	Manicotto aspirazione	Suction hose	



**LAVASTOVIGLIE SOTTOTAVOLO NUC/ EUC/ KUC/ NUCA/ ZUCA/ FUCA/ EUCA  
UNDERCOUNTER DISHWASHER NUC/ EUC/ KUC/ NUCA/ ZUCA/ FUCA/ EUCA**

**Grassetto = variazioni  
Bold Print = changes**

Pos.	Cod. Ric. Part No.	Descrizione	Description	Note / Notes
416	0L0365	Raccordo 3 vie	3 way connection	
417	0L0083	Fascetta 9,3/9,9	Hose clamp 9,3/9,9	
418	046878	Fascetta 38-50	Hose clamp 38-50	
419	0L0125	Tubo collegamento getti	Connection pipe for wash jets	
420	0L0367	Fascetta Cobra	Hose clamp	
421	0L2560	Protezione ghiera	Guard ring nut	
422	047473	OR 2056- 1,78x14,00	O Ring	
423	048824	Ghiera	Ring nut	
424	048126	Fascetta 12-22	Hose clamp 12-22	
425	0L0082	Fascetta Ø 7,3/7,8	Hose clamp Ø 7,3x7,8	
426	0L0110	Guarnizione	Gasket	
428	0L2666	Air Gap	Air Gap	s,t,v,a1,a2,a3,a4,a5,b1,e5,e8,e9
428	0L2435	Air Gap UK	Air Gap UK	z,a9,b7,c8
428	0L0268	Air Gap	Air Gap	WS products Up to Ser. Nr.: 6030
428	0L2474	Air Gap	Air Gap	WS products From Ser. Nr.: 6040
429	049828	Guarnizione	Gasket	
430	049460	OR 3212-2,62x53,65	O Ring	
431	049480	Ghiera per Air Gap	Air Gap nut	
433	0L0697	Pompa peristaltica brillantante	Pump; rinse aid	Up to Ser: 2014-19 t,v,a3,a4,a5,b7
433	0S1713	Pompa peristaltica brillantante	Pump; rinse aid	From Ser: 2014-20 Up to Ser: 2016-13 t,v,z,a1,a2,a3,a4,a5,b1,b7,e8, e9 and WS products
433	0S2285	Pompa peristaltica brillantante	Pump; rinse aid	From Ser: 2016-14 t,v,z,a1,a2,a3,a4,a5,b1,b7,c8, e5,e8,e9 and WS products
438	048330	Ghiera, fiss. supporto getti	Ring nut, jets support locking	
439	048236	Guarnizione	Gasket	
440	048979	Anello seger	C-Clamp	
441	048820	Parzializzatore	Flow reducer	
442	049290	Supporto getti, inferiore	Jets support, lower	
443	0L3448	Elettrovalvola 10 l/min	Electrovalve 10 l/min	s,t,v,a1,a2,a3,a4,a5,b1,e5,e8, e9
443	0L3443	Elettrovalvola 5.5 l/min	Electrovalve 5.5 l/min	z,a9,b7,c8,f1
443	0L3444	Elettrovalvola	Electrovalve	For WS products
446	049296	Tappo, per getti lavaggio	Plug, for wash jets	
447	049295	Assieme getto di lavaggio	Wash jet assembly	
449	049298	Getto risciacquo, corto	Rinse jet, short	
450	048308	Trappola d'aria per pressost.	Air trap	
451	068642	OR 2062x15.54	O Ring	
452	049268	Dado M14x1.5	Nut; M14x1,5	
453	049293	Assieme mozzo, per getti	Hub assembly, for jets	
454	047282	Rondella di fermo	Lock washer	

Doc. Nr.: **59566UZ00**

Ed. 2020.06  
Updated 2020.06

Da Ser. Nr./ From Ser.nr.: 839...



**LAVASTOVIGLIE SOTTOTAVOLO NUC/ EUC/ KUC/ NUCA/ ZUCA/ FUCA/ EUCA  
UNDERCOUNTER DISHWASHER NUC/ EUC/ KUC/ NUCA/ ZUCA/ FUCA/ EUCA**

**Grassetto = variazioni  
Bold Print = changes**

Pos.	Cod. Ric. Part No.	Descrizione	Description	Note / Notes
455	049294	Protezione rondella	Washer bracket	
456	049292	Perno, per supporto getti	Pin, for jets support	
457	047986	O-Ring 2050 - 1,78x12,42	O-Ring	
459	0L1163	Tubo mandata; rigido	Delivery hose; rigid	
460	0L0696	Pompa detergente	Pump; detergent	Up to Ser: 2014-19 v,z,a1,a2,a3,a4,a9,b1,b7
460	0S1711	Pompa detergente	Pump; detergent	From Ser: 2014-20 Up to 2015-50 v,z,a1,a2,a3, a4,a9,b1,b7,c8,e5,e8,e9, f8,g8,g9,h5
460	0S1986	Pompa perist. Detergente	Pump; Detergent	From 2015-51 v,z,a1,a2,a3,a4,a9,b1,b7,c8, e5,e8,e9,f8,g8,g9,h5
461	049801	Iniettore detergente	Iniection spigot	v,z,a1,a2,a3,a4,a9,b1,b7,c8,e5, e8,e9,g9,h5
463	072393	Tubo Ø 4x7,4	Hose Ø 4x7,4	
464	049904	Tubo	Hose	
465	049881	Pressostato	Pressure switch	
470	048531	Tubo EPDM 12x19.5	Hose 12x19.5	s,t,v,a1,a2,a3,a4,a5,b1,e5,e8, e9
470	049379	Tubo 12x19.5 WRC	Hose 12x19.5 WRC	z,a9,b7,c8
472	049419	Tubo; interno, pompa detergen- te	Hose; internal detergent pump	
473	049418	Tubo; interno, pompa brill.	Hose; internal rinse aid pump	
474	047578	Fascetta Ø 25/40	Hose clamp Ø 25/40	
480	0L0262	Riduzione M.3/4" - F.1/2"	Adapter M.3/4" - F.1/2"	For WS products
481	0L0263	Manicotto F.3/4"- F.1/2"	Coupling F.3/4"- F.1/2"	For WS products
482	0L0264	Doppia valvola di non ritorno	Double check valve	For WS products
		<b>Pagina 7: Circuito idraulico con addolcitore</b>	<b>Page 7: Water softener hydraulic circuit</b>	<b>For WS products</b>
501	0L0265	Tubo d=8x15 mm	Hose d=8x15 mm	
502	0L0266	Fascetta torro 10-16/7,5	Hose clamp 10-16/7,5	
503	0L0267	Pompa a solenoide	Solenoid pump	
504	0L0268	Air Gap	Air Gap	
505	0L0269	Valvola di non ritorno	No back-flow valve	
506	0L0270	Addolcitore	Water softener	
507	0L0271	Boccia del sale	Salt container	
508	0L0272	Tappo boccia sale	Salt container cap	
509	049026	Portagomma	Pipeholder	
510	0L0273	Elettrovalvola a bassa pressione	Low pressure electrovalve	
511	0L0274	Raccordo a T TS7-7-7	T-connection TS7-7-7	
512	0L0275	Raccordo a T TRS10-6-10	T-connection TRS10-6-10	
513	0L0276	Raccordo a T TRS 8-12-8	T-connection TRS 8-12-8	
514	048195	Raccordo a 3 vie D.12 YS1	3 way connection D.12 YS1	

LAVASTOVIGLIE SOTTOTAVOLO NUC/ EUC/ KUC/ NUCA/ ZUCA/ FUCA/ EUCA  
 UNDERCOUNTER DISHWASHER NUC/ EUC/ KUC/ NUCA/ ZUCA/ FUCA/ EUCA

Grassetto = variazioni  
 Bold Print = changes

Pos.	Cod. Ric. Part No.	Descrizione	Description	Note / Notes
515	0L0260	Elettrovalvola	Electrovalve	
516	048531	Tubo	Hose	
517	048126	Fascetta 12-22	Hose clamp 12-22	
520	0L2661	Tubo	Hose	450mm
525	0L0119	O-Ring	O-Ring	
526	049022	Filtro portagomma	Pipeholder filter	
		<b>Pagina 8: Componenti elettrici</b>	<b>Page 8: Electrical components</b>	
601	0L3875	Interfaccia utente	User Interface	Up to Ser. Nr.: 2019/10
601	0L4473	Interfaccia utente	User Interface	From Ser. Nr. : 2019/11
602	0L1943	Guarnizione display	Display gasket	
603	0L1871	Sensore reed	Sensor	
604	0L1667	Cruscotto	Control panel	Not for s,t,a1,a2,a3,a4,a5, b1,e8,e9
604	0L2069	Cruscotto	Control panel	s,t,a1,a2,a3,a4,a5,b1,e5,e8,e9
604	0L4306	Cruscotto Veetsan	Veetsan Control panel	e1,e2,e3,e4,e5,g9
605	0L1663	Membrana adesiva neutra	Neutral stick membrane	f,g,h,o,k,q,r,x,z,a6,a8,a9,b2, b3,b4,b5,b7,c1b6,b7,b8 up to 7431
605	0L4187	Membrana Caterwash	Caterwash stick membrane	b6,b7,b8 from 7441
605	0L1661	Membrana adesiva - Electrolux	Membrane - Electrolux	a,b,c,d,e,w,a7,b1 up to 6131
605	0L3700	Membrana adesiva - Electrolux	Membrane - Electrolux	From 6141 a7,b1,b9,c2,c4,c5, c6,c7,c9,d1,d3,d5,d6,d7,d8, e1,e6,e7,f2
605	0L1650	Membrana adesiva - Electrolux	Membrane - Electrolux	a3,a4,a5 up to 6131
605	0L3691	Membrana adesiva - Electrolux	Membrane - Electrolux	a3,a4,a5,e8,e9 from 6141
605	0L3797	Membrana adesiva atmosferica - Electrolux	Atmospheric Membrane - Elec- trolux	c8,d2,d9
605	0L1653	Membrana adesiva - Zanussi	Membrane - Zanussi	s,t,a1,a2
<b>605</b>	<b>0L3795</b>	<b>Membrana adesiva Zanussi ATM</b>	<b>Membrane Zanussi ATM</b>	<b>f1</b>
605	0L3794	Membrana adesiva - Zanussi LS5 Press.	Membrane - Zanussi LS5	d8,d9
605	0L2388	Membrana adesiva - Fust	Membrane - Fust	v
605	0L2142	Membrana adesiva - Kipro	Membrane - Kipro	m,n
605	0L4302	Membrana adesiva - Veetsan Star	Membrane - Veetsan Star	e1,e2,e3,e4,f3
605	0L4303	Membrana adesiva - Veetsan Star	Membrane - Veetsan Star	e5
605	0L1662	Membrana adesiva Zanussi	Membrane Zanussi	h1,h2,h3,h4,h5
605	0L1660	Membrana adesiva Electrolux	Membrane Electrolux	g3,g4,g5,g6
605	0L3796	Membrana adesiva Electrolux ATM+WS	Membrane Electrolux	f4,f5,f6,f7,f8
605	0L3793	Membrana adesiva Zanussi ATM+WS	Membrane Electrolux	f9,g1,g2,g7,g8

**LAVASTOVIGLIE SOTTOTAVOLO NUC/ EUC/ KUC/ NUCA/ ZUCA/ FUCA/ EUCA** **Grassetto = variazioni**  
**UNDERCOUNTER DISHWASHER NUC/ EUC/ KUC/ NUCA/ ZUCA/ FUCA/ EUCA** **Bold Print = changes**

Pos.	Cod. Ric. Part No.	Descrizione	Description	Note / Notes
605	0L4332	Membrana adesiva Veetsan ATM+WS	Membrane Veetsan ATM+WS	g9
606	0L1567	Copertura interfaccia utente	User interface cover	
607	0L1664	Adesivo Zanussi	Sticker Zanussi	
607	0L1665	Adesivo Alpeninox	Sticker Alpeninox	
607	54864AK00	Adesivo Electrolux	Sticker Electrolux	
608	0L2055	Cavo H07RNF 3x2,5MMQ	Pipe H07RNF 3x2,5MMQ	a,c,f,g,i,q,w,x,a6,a8,b2,b3,b4, b5,b6,b8, c2,c3,c7,c9,d1,d2, d3,d4,d8,e1,e4,e7,f3
608	0L0024	Cavo H07RNF 3x2,5MMQ	Pipe H07RNF 3x2,5MMQ	s,a5,f4,f9,g1,g3,g4,h1,h2
608	0L2432	Cavo H07RNF 3x6MMQ	Pipe H07RNF 3x6MMQ	z,a9,b7,c8,d9
608	0L0026	Cavo H07RNF 4x2,5MMQ	Pipe H07RNF 4x2,5MMQ	a2,a4,b1
608	0L0025	Cavo H07RNF 5x2,5MMQ	Pipe H07RNF 5x2,5MMQ	b,d,e,h,m,n,o,k,t,v,a1,a3,a7, c1,c4,c5,c6,d5,d6,d7,e2,e3, e5,e6,e8,f2,g2,g5,g6,g7,g8, g9,h3,h4,h5
608	0C3632	Cavo H07RNF 3x2,5MMQ	Pipe H07RNF 3x2,5MMQ	b6
609	0L3720	Scheda madre	Main board	a,b,c,d,e,i,r,s,t,v,w,z,a1,a2,a3, a4,a5,a9,b1,b7,c8,e5,e8,e9,f1
609	0L2582	Scheda madre	Main board	f,g,h,k,m,n,o,q,x,a6,a7,a8,b2, b3,b4,b5,b6,b8,b9,c1,c2,c3, c4,c5,c6,c7,c9,d1,d2,d3,d4, d5,d6,d7,d8,d9,e1,e2,e3,e4, e6,e7,f2,f3
609	0L2583	Scheda madre	Main board	For WS products
610	049303	Filtro RFI trifase	RFI filter; three phase	b,d,e,h,m,n,o,k,t,v,z,a1,a2, a3,a4,a7,a9,b1,b7,h3,h4,h5 Up to Ser. Nr.: 213
610	049977	Filtro RFI monofase	RFI filter; single phase	a,c,f,g,i,q,s,w,x,a5,a6,a8,b2, b3,b4,b5,b6,b8,c2,c3,d3,d4, g3,g4,h1,h2 Up to Ser. Nr.: 235
611	0L0127	Morsettiera Princ. Monofase	Junction box	a,c,f,g,i,q,r,w,x,s,a5,a6,a8,b2, b3,b4,b5, b6,b8,c2,c3,c7,c9, d1,d2,d3,d4,d8,e1,e4,e7,f3,f4, f9,g1,g3,g4,h1,h2
611	0L0111	Morsettiera Princ. Trifase	Junction box	b,d,e,h,m,n,o,k,t,v,z,a1,a2,a3, a4,a7,a9,b1,b7,c1,c4,c5,c6, c8,d5,d6,d7,d9,e2,e3,e5,e6, e8,e9,f2,f6,g2,g5,g6,g7,g8,g9, h3,h4,h5
612	048429	Fissaggio Res. Vasca	Bracket	
613	049954	Res. Vasca 2000W-230V	Heating element; 230v, 2,0kw	Up to Ser. Nr.: 946
613	0L2109	Res. Vasca 2000W-230V	Heating element; 230v, 2,0kw	Not for a1,a2,a3,a4,b1,e8,e9 From Ser. Nr.: 947
613	0L2439	Res. Vasca 2000W-230V	Heating element; 230v, 2,0kw	a1,a2,a3,a4,b1,e5,e8,e9 From Ser. Nr.: 048
614	0L0366	Supp Sensore	Support; sensor	
615	0L2303	OR 2037	O Ring	

**LAVASTOVIGLIE SOTTOTAVOLO NUC/ EUC/ KUC/ NUCA/ ZUCA/ FUCA/ EUCA**  
**UNDERCOUNTER DISHWASHER NUC/ EUC/ KUC/ NUCA/ ZUCA/ FUCA/ EUCA** **Grassetto = variazioni**  
**Bold Print = changes**

Pos.	Cod. Ric. Part No.	Descrizione	Description	Note / Notes
616	049643	Sensore NTC	Sensor	
617	0L3368	Tappo morsettiara	Barrel Plug	b6
618	0L2765	OR 6187 D=5.34MM	O Ring	
619	049955	Res. Flangiata 4500W 230V	Heating element 4,5KW 230V	b,d,e,h,m,n,o,k,a7,g5,g6,h3,h4,h5 - Up to Ser. Nr.: 017
619	0L2652	Res. Flangiata 4500W 230V	Heating element 4,5KW 230V	b,d,e,h,m,n,o,k,a7,c1,c4,c5,c6,d5,d6,d7,e2,e3,e6,f2,f6,g2,g5,g6,g7,g8,g9,h3,h4,h5 From Ser. Nr.: 018
619	049955	Res. Flangiata 4500W 230V	Heating element 4,5KW 230V	t,v,w,x,z,a9,b7 Up to Ser. Nr.: 002
619	0L2652	Res. Flangiata 4500W 230V	Heating element 4,5KW 230V	t,v,w,x,z,a9,b7,c7,c8,d8,e4 From Ser. Nr.: 003
619	0L2770	Res. Flangiata 4500W 230V	Heating element 4,5KW 230V	a1,a2,a3,a4,b1,e5,e8,e9 From Ser. Nr.: 048
619	049980	Res. Flangiata 2800W 230V	Heating element 2,8KW 230V	a,c,f,g,i,q,r,s,a5,a8,b2,b3,b5,b6,b8,c2,c3d1,d2,d3,d4,d9,e1,e7,f4,f9,g1,g3,g4,h1,h2
619	0L2652	Res. Flangiata 4500W 230V	Heating element 4,5KW 230V	b4,b5,b6 (connect only one heating element leg)
620	0L2303	OR 2037	O Ring	
621	0L0280	Premistoppa	Stuffing box	
622	049643	Sonda di Temperatura	Temp. sound	
623	065560	Cappuccio	Protection cap	
624	0L3881	Filtro antidisturbo	Noise suppressor filter	
625	049901	Filtro induttivo-cap.; monofase	Filter; single phase	b,d,e,h,m,n,o,k,t,v,z,a1,a2,a3,a4,a7,a9,b1,b7,c1,c4,c5,c6,c8,d5,d6,d7,d9,e2,e3,e5,e6,e8,e9,f2,f6,g2,g5,g6,g7,g8,g9,h3,h4,h5 - From Ser. Nr.: 236
626	0L2895	Klixon	Klixon	
627	0L2894	Supporto klixon	Klixon support	
628	0C8219	Dado M5	M5 Nut	
690	0L2485	Cablaggio	Wiring harness	a,c,f,g,i,q,r,w,x,s,a5,a6,a8,b2,b3,b4,b5,b6,b8,c2,c3,c7,c9,d1,d2,d3,d4,d8,e1,e4,e7,f3,f4,f5,f9,g1,g3,g4,h1,h2
690	0L2486	Cablaggio	Wiring harness	b,d,e,h,m,n,o,k,t,v,z,a7,a9,b7,c1,c4,c6,c8,d5,d7,d9,e2,e3,e6,f2,f6,f7,f8,g2,g5,g6,g7,g8,g9,h3,h4,h5
690	0L2438	Cablaggio	Wiring harness	a1,a2,a3,a4,b1 up to 6031
690	0L3719	Cablaggio	Wiring harness	a1,a2,a3,a4,b1,e5,e8,e9 from 6041
690	0L0464	Cablaggio aggiuntivo	Additional wiring harness	For salt container (WS products)
690	0L2458	Cablaggio aggiuntivo	Additional wiring harness	For salt pump module (WS products)



Electrolux Professional SPA  
Viale Treviso 15  
33170 Pordenone  
[www.electrolux-professional.com](http://www.electrolux-professional.com)

NordCap GmbH & Co. KG  
Thalenhorststraße 15  
28307 Bremen  
Hauptsitz (Service, Finanzen & Personal, Lager, IT, Marketing)

Telefon: +49 421 48557-0  
Telefax: +49 421 488650  
E-Mail: [bremen@nordcap.de](mailto:bremen@nordcap.de)

Die NordCap Verkaufsniederlassungen in Deutschland:

Nord: Hamburg • Ost: Berlin • Süd: Ingelheim • West: Erkrath

by **NordCap**<sup>®</sup>

**ZANUSSI**  
PROFESSIONAL