

Ersatzteilliste-Explosionszeichnung

Induktionswok IWOKEC-1P / 1ZDI

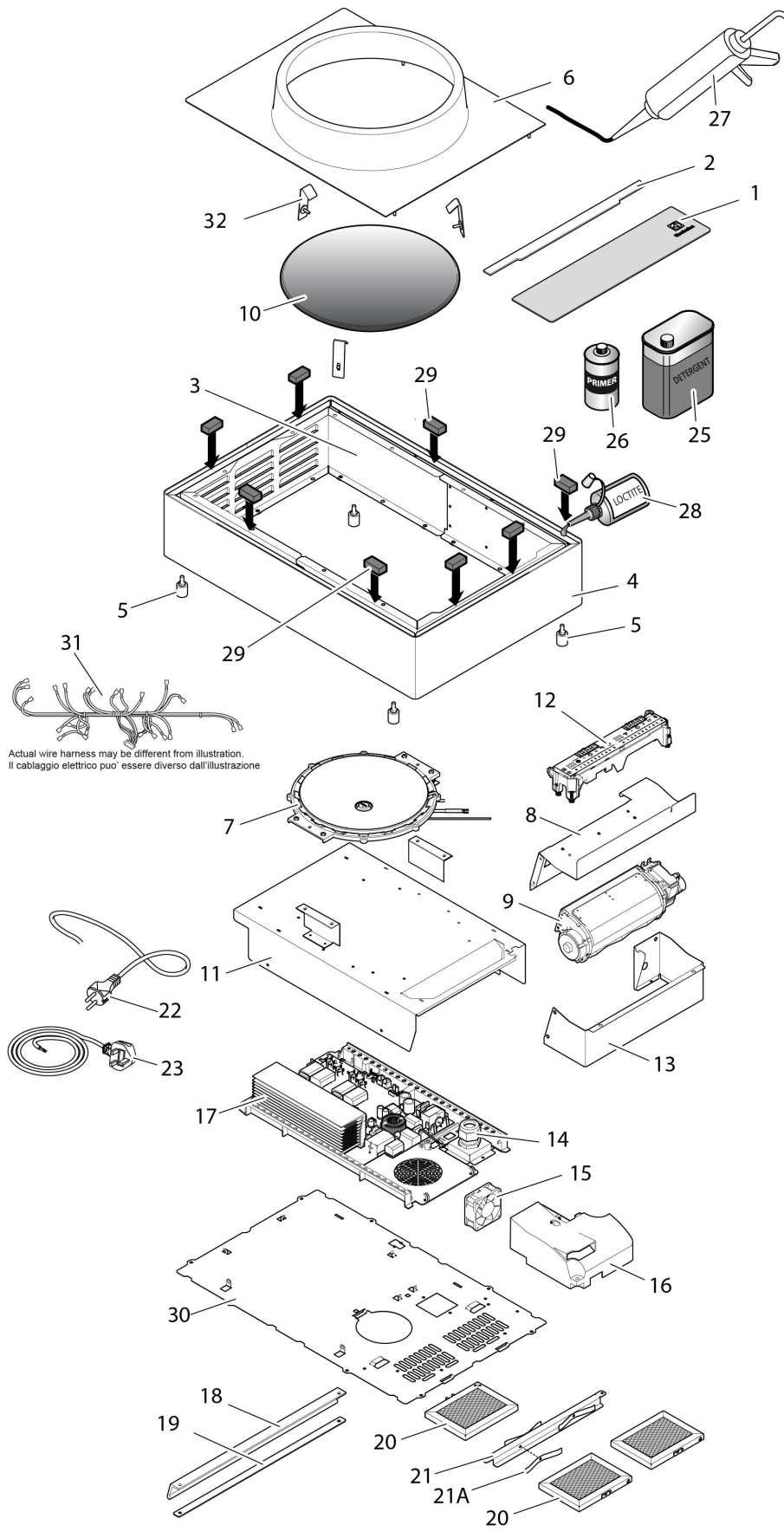
[Art. 406600892]



WOK INDUCTION LIBERO LINE, SINGLE ZONE

PNC	MODEL	Ref	BRAND	VERSION	NOTES
600880	1PH - WOK	A	ELUX	DROP IN	220-240V 1N 50/60HZ 3500W
600881	1PH - WOK	B	ELUX	STAND ALONE	220-240V 1N 50/60HZ 3500W
600884	3PH - WOK	C	ELUX	DROP IN	380-415V 3~ 50/60HZ 5000W
600885	3PH - WOK	D	ELUX	STAND ALONE	380-415V 3~ 50/60HZ 5000W
600892	1PH - WOK	E	ZAN	DROP IN	220-240V 1N 50/60HZ 3500W
600893	1PH - WOK	F	ZAN	STAND ALONE	220-240V 1N 50/60HZ 3500W
600896	3PH - WOK	G	ZAN	DROP IN	380-415V 3~ 50/60HZ 5000W
600897	3PH - WOK	H	ZAN	STAND ALONE	380-415V 3~ 50/60HZ 5000W
600904	1PH - WOK	I	ELUX UK	DROP IN	220-240V 1N 50/60HZ 3500W
600905	1PH - WOK	J	ELUX UK	STAND ALONE	220-240V 1N 50/60HZ 3500W

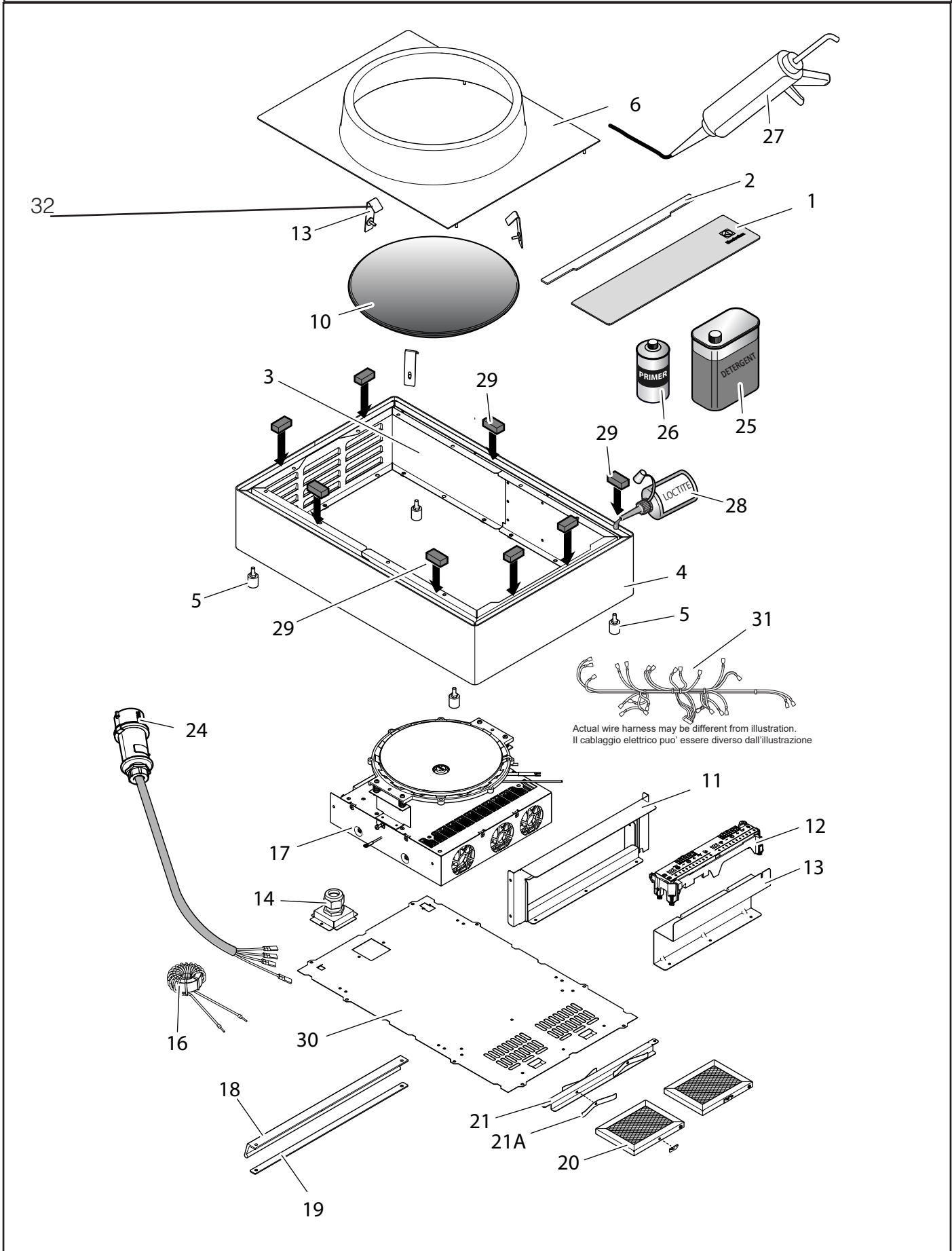
INDUZIONE LIBERO LINE WOK 220-240V 1N 50/60Hz 3000W / 3500W
INDUCTION LIBERO LINE WOK 220-240V 1N 50/60Hz 3000W / 3500W



INDUZIONE LIBERO LINE WOK 220-240V 1N 50/60Hz 3000W / 3500W
INDUCTION LIBERO LINE WOK 220-240V 1N 50/60Hz 3000W / 3500W

Pos	Factory code	Spare Code	Descrizione	Description	Ref. / Note
1			VITRE	GLASS	ELUX
			VITRE	GLASS	ZAN
2			SEPARATEUR VITRE	TOP SPACER	
3			SUPPORT INTERNE	INNER STRUCTURE	A,C,E,I,G
4			CAISSON	OUTSIDE COVER	B,D,F ETC
5		0D8162	PIED	FOOT	STAND ALONE
6			SUPPORT WOK	TOP FRAME	
7		0D8165	INDUCTEUR WOK	COIL	220V
8			SUPPORT	MOTORVENTILATOR CONVEYOR	
9		0D8131	VENTILATEUR TANGENTIEL	MOTORVENTILATOR	
10			VITRE WOK	CUVEE GLASS	
11			SUPPORT INDUCTEUR	INVERTER COVER	
12		0D8192	CARTE COMMANDE	USER BOARD	3000W - I,J
		0D8190	CARTE COMMANDE	USER BOARD	3500W - A,B,E,F
13			CANAL VENTILATEUR	MOTOR VENTILATOR CONVEYOR	
14			PRESSE ETOUPE	CABLE GLAND STOPPER	
15			MOTOVENT RAFFREDDAMENTO INVERTER	MOT.VENT. COOL INVERTER	
16			CONVOGLIATORE MOT.VENT.	MOTORVENTILATOR CONVEYOR	
17		0D8132	GENERATEUR	INVERTER	220V
18			GOMMA SETTO AERAZIONE	RUBBER VENTILATION SEPARATOR	STAND ALONE
19			STAFFA FERMO SETTO	BRACKET VENTILATION SEPARATOR	STAND ALONE
20		0D8130	FILTRE	DUST FILTER	
21			SUPPORT FILTRE	FILTER LOCK SUPPORT	
21A		0D8129	RESSORT SUPPORT FILTRE	SPRING, FILTER HOLDER	
22		0D8182	CORDON ALIM. SHUCO	PLUG WITH CABLE	
23		0D8183	CORDON ALIM. UK	UK PLUG WITH CABLE	
25	*	088314	DETERGENTE PER SILICONE	DETERGENT FOR SILICONE GLUE	
26	*	088313	PRIMER	PRIMER	
27	*	0C0074	SILICONE NERO PER VETRO	BLACK SILICONE GLUE	
28	*	*	LOCKTITE COLLA SPESSORI	LOCKTITE FOR GLASS SPACERS	
29			SPESSORI VETRO (KIT 8PZ)	GLASS SPACERS (KIT PCS8	
30			PLAQUE DE FOND	LOWER PANEL	
31		0D8159	CABLE VENTILATEUR	ELECTRICAL WIRING VENTILATOR	A,B,E,F,I,J
		0D8160	CABLE COMMUNICATION	ELECTRIC WIRING	
		0D8161	CABLE CARTE COMMANDE	ELECTRICAL CONTROL BOARD	A,B,E,F,I,J
32			VERROU WOK	CUVEE LOCK	
		0D8146	1+2+3+6+10+13+29	1+2+3+6+10+13+29	ELUX - A,i
		0D8148	1+2+3+6+10+13+29	1+2+3+6+10+13+29	ZAN - E
		0D8150	1+2+3+4+5+6+10+13+29	1+2+3+4+5+6+10+13+29	ELUX - B,J
		0D8152	1+2+3+4+5+6+10+13+29	1+2+3+4+5+6+10+13+29	ZAN - F

INDUZIONE LIBERO LINE WOK 380-415V 3~ 50/60Hz 5000W
INDUCTION LIBERO LINE WOK 380-415V 3~ 50/60Hz 5000W



INDUCTION LIBERO LINE WOK 380-415V 3~ 50/60Hz 5000W
INDUCTION LIBERO LINE WOK 380-415V 3~ 50/60Hz 5000W

Pos	Factory code	Spare Code	Descrizione	Description	Ref. / Note
1			VITRE	GLASS	ELUX
			VITRE	GLASS	ZAN
2			SEPARATEUR VITRE	TOP SPACER	
3			SUPPORT INTERNE	INNER STRUCTURE	A,C,E,I,G
4			CAISSON	OUTSIDE COVER	B,D,F,H,J
5		0D8162	PIED	FOOT	
10			VITRE WOK	CUVEE GLASS	
11			SEPARATEUR KIT	VENTILATION AERATOR	
12		0D8194	CARTE COMMANDE	USER BOARD	5000W - C,D,G,H
13			SUPPORT CARTE COMMANDE	SUPPORT USER BOARD	
14			PRESSE ETOUPE	CABLE GLAND STOPPER	
16			FILTRO TOROIDE	ELECTRIC FILTER	
17		0D8170	KIT FOUCAULT WOK	INVERTER FOUCAULT WITH COIL	5000W
18			GOMMA SETTO AERAZIONE	RUBBER VENTILATION SEPARATOR	
19			STAFFA FERMO SETTO	BRACKET VENTILATION SEPARATOR	
20		0D8130	FILTRE	DUST FILTER	
21			SUPPORT FILTRE	FILTER LOCK SUPPORT	
21A		0D8129	RESSORT SUPPORT FILTRE	SPRING, FILTER HOLDER	
24		0D8184	CORDON TRI. EQ.	THREE-PHASE SOCKET & CABLE	
25	0151098052	088314	DETERGENTE PER SILICONE	DETERGENT FOR SILICONE GLUE	
26	0147098057	088313	PRIMER	PRIMER	
27	0147098058	0C0074	SILICONE NERO PER VETRO	BLACK SILICONE GLUE	
28	*	*	LOCKTITE COLLA SPESSORI	LOCKTITE FOR GLASS SPACERS	
29			SPESSORI VETRO (KIT 8PZ)	GLASS SPACERS (KIT PCS8	
30			PLAQUE DE FOND	LOWER PANEL	
31		0D8160	CABLE COMMUNICATION	ELECTRICAL WIRING	
32			VERROU WOK	LOCK CUVEE	
		0D8147	1+2+3+6+10+13+29	1+2+3+6+10+13+29	ELUX - C
		0D8149	1+2+3+6+10+13+29	1+2+3+6+10+13+29	ZAN - G
		0D8151	1+2+3+4+6+10+13+29	1+2+3+4+6+10+13+29	ELUX - D
		0D8153	1+2+3+4+6+10+13+29	1+2+3+4+6+10+13+29	ZAN - H

NordCap GmbH & Co. KG
Thalendorststraße 15
28307 Bremen
Hauptsitz (Service, Finanzen & Personal, Lager, IT, Marketing)

Telefon: +49 421 48557-0
Telefax: +49 421 488650
E-Mail: bremen@nordcap.de

Die NordCap Verkaufsniederlassungen in Deutschland:

Nord: Hamburg • Ost: Berlin • Süd: Ingelheim • West: Erkrath

by **NordCap**[®]

ZANUSSI
PROFESSIONAL