

Ersatzteilliste-Explosionszeichnung

Kompakt-Vorwaschtisch **BHHPTB08R**

[Art. 406865306]



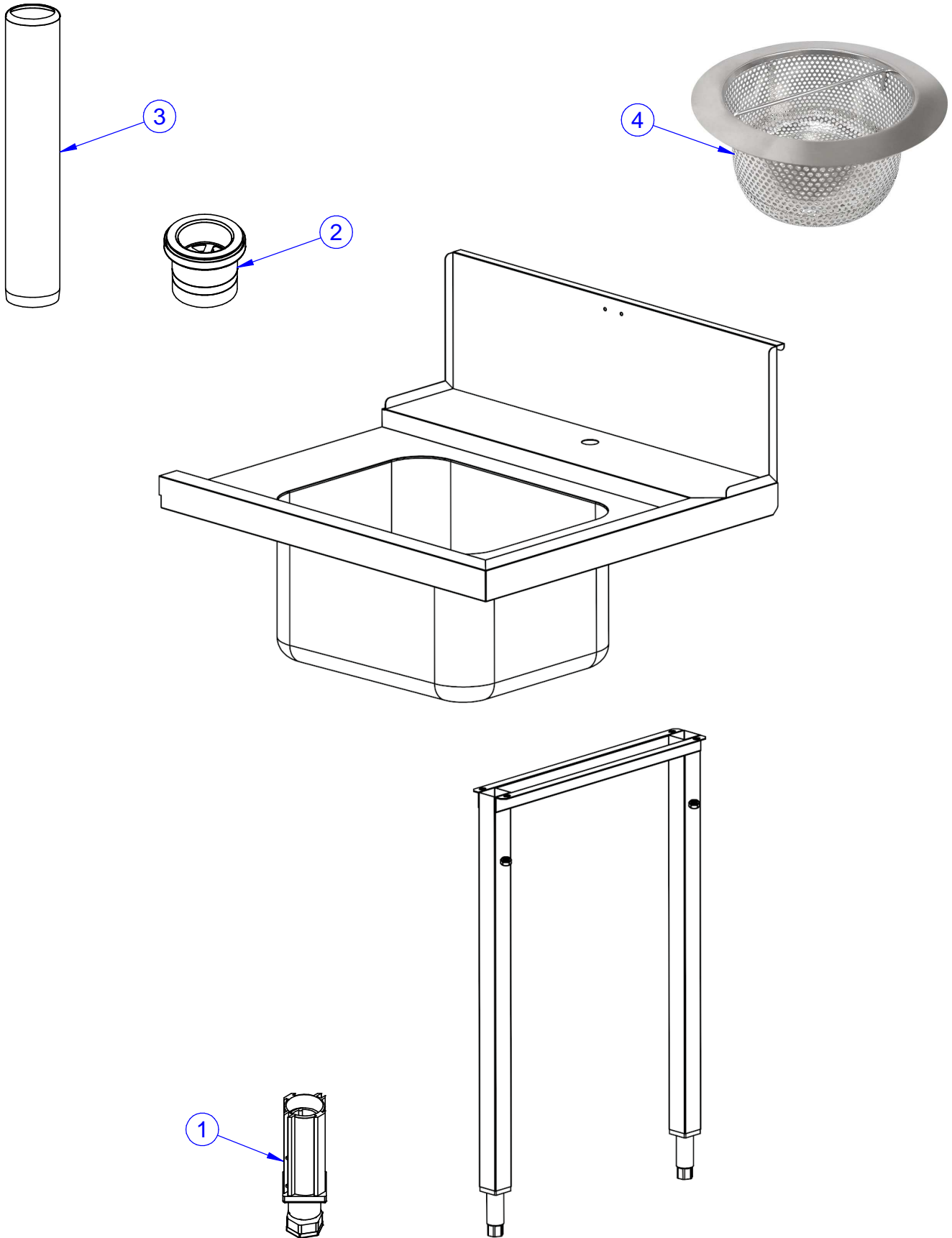
**TAVOLO PRELAVAGGIO CON VASCA
PREWASH TABLE WITH BOWL**

| PNC | MODEL | L = mm | H = mm | REF | PNC | MODEL | L = mm | H = mm | REF |
|--------|-------|--------|--------|-----|--------|-------|--------|--------|-----|
| 865306 | | 800 | 745 | a | 865402 | | 900 | 705 | s |
| 865307 | | 800 | 745 | b | 865403 | | 900 | 705 | t |
| 865308 | | 1200 | 745 | c | 865404 | | 1200 | 705 | u |
| 865309 | | 1200 | 745 | d | 865405 | | 1200 | 705 | w |
| 865310 | | 1400 | 745 | e | 865406 | | 1300 | 705 | x |
| 865311 | | 1400 | 745 | f | 865407 | | 1300 | 705 | y |
| 865312 | | 1800 | 745 | g | 865408 | | 1600 | 705 | z |
| 865313 | | 1800 | 745 | h | 865409 | | 1600 | 705 | a1 |
| 865314 | | 1200 | 745 | i | 865410 | | 1200 | 705 | b1 |
| 865315 | | 1200 | 745 | j | 865411 | | 1200 | 705 | c1 |
| 865328 | | 1200 | 745 | k | 865412 | | 1700 | 705 | d1 |
| 865329 | | 1200 | 745 | l | 865413 | | 1700 | 705 | e1 |
| 865332 | | 1800 | 745 | m | 865425 | | 1600 | 705 | f1 |
| 865333 | | 1800 | 745 | n | 865426 | | 1600 | 705 | g1 |
| 865357 | | 900 | 745 | o | | | | | |
| 865358 | | 1400 | 745 | p | | | | | |
| 865361 | | 900 | 745 | q | | | | | |
| 865362 | | 1400 | 745 | r | | | | | |

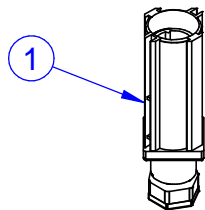
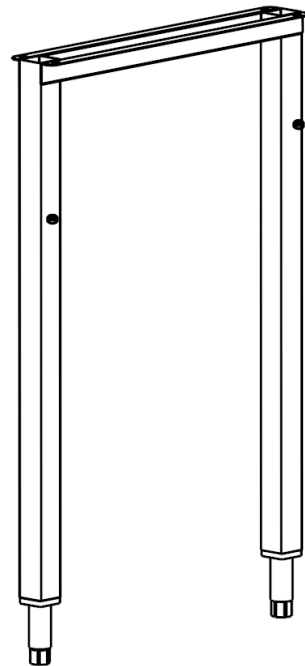
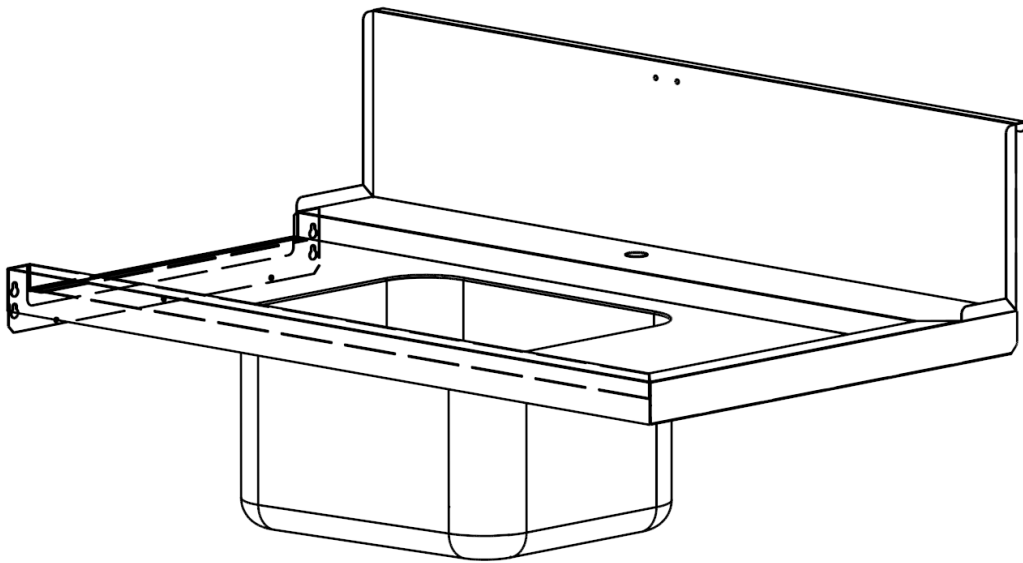
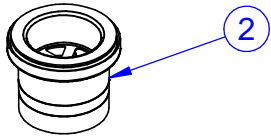
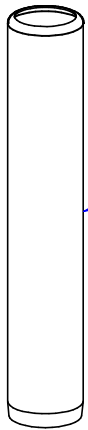
| Pag. | Descrizione | Description |
|------|---------------|------------------|
| 1 | Indice | Index |
| 2-3 | Disegni | Drawings |
| 4 | Lista ricambi | Spare parts list |

Model / Modello: HT - RT

TAVOLO PRELAVAGGIO CON VASCA - HT
HT - PREWASH TABLE WITH BOWL



TAVOLO PRELAVAGGIO CON VASCA - RT
RT - PREWASH TABLE WITH BOWL



**TAVOLO PRELAVAGGIO CON VASCA - HT
HT - PREWASH TABLE WITH BOWL**

| POS | Validità dal 18/02/2019 | COD | DESCRIZIONE | DESCRIPTION | Alias code | NOTES/REF. |
|------------|------------------------------------|------------|-------------------------------|----------------------------|-------------------|---|
| 1 | | 0PEA26 | Piedino inox/nylon 40x40 H100 | Feet inox/nylon 40x40 H100 | 400688001 | a,b,c,d,e,f,g,h,i,j,k,l,m, n,o,p,q,r,s,t,u,w ,x,y,z, a1,b1,c1,d1,e1,f1,g1 |
| 2 | | 0PEB29 | Piletta 2" | Piletta 2" | 100100159 | a,b,c,d,e,f,g,h,i,j,k,l,m, n,o,p,q,r,s,t,u,w ,x,y,z, a1,b1,c1,d1,e1,f1,g1 |
| 3 | | 0PEA29 | Troppo pieno 280 | Troppo pieno 280 | 100100013 | a,b,c,d,e,f,g,h,i,j,k,l,m, n,o,p,q,r,s,t,u,w ,x,y,z, a1,b1,c1,d1,e1,f1,g1 |
| 4 | | | Filtro per Pozzetto | | 202400287 | k,l,m,n,o,p,q,r |

NordCap GmbH & Co. KG
Thalendorststraße 15
28307 Bremen
Hauptsitz (Service, Finanzen & Personal, Lager, IT, Marketing)

Telefon: +49 421 48557-0
Telefax: +49 421 488650
E-Mail: bremen@nordcap.de

Die NordCap Verkaufsniederlassungen in Deutschland:

Nord: Hamburg • Ost: Berlin • Süd: Ingelheim • West: Erkrath

by **NordCap**[®]

ZANUSSI
PROFESSIONAL