

Bedienungsanweisung

Weintemperierschrank **WG 155**

[Art. 477700155]



Warning

As the appliance contains a flammable refrigerant, it is essential to ensure that the refrigerant pipes are not damaged.

The quantity and type of the refrigerant used in your appliance is indicated on the rating plate.

Standard EN378 specifies that the room in which you install your appliance must have a volume of 1m³ per 8 g of hydrocarbon refrigerant used in the appliances. This is to avoid the formation of flammable gas/air mixtures in the room where the appliance is located in the event of a leak in the refrigerant circuit.

WARNING:

Keep ventilation openings in the appliance's cabinet or in the built-in structure clear of obstruction

WARNING:

Do not use other **mechanical devices** or other means to accelerate the defrosting process than those recommended by the manufacturer

WARNING:

Do not damage the refrigerant system

WARNING:

Do not use **electrical appliances** inside the refrigerated storage compartment, unless they are of a type recommended by the manufacturer

WARNING:

Do not expose the appliance to rain

WARNING:

This appliance is not intended for use by children and above and persons with reduced physical, sensory or mental capabilities or lack of experience and knowledge if they have been given supervision or instruction concerning use of the appliance in a safe way and understand the hazards involved

WARNING:

Do not store explosives, such as aerosol cans with flammable propellants in the unit.

WARNING:

Cleaning and user maintenance shall not be made by children without supervision



- Always keep the keys in a separate place and out of reach of children
- Before servicing or cleaning the appliance, unplug the appliance from the mains or disconnect the electrical power supply
- If the supply cord is damaged, it must be replaced by the manufacturer, its service agent, or similarly qualified persons in order to avoid a hazard
- **Relevant for Australia:** Supply cord fitted with a plug complies with AS/NZS 3112.
- Frost formation on the interior evaporator wall and upper parts is a natural phenomenon. Therefore, the appliance should be defrosted during normal cleaning or maintenance.
- Please note that changes to the appliance construction will cancel all warranty and product liability
- This appliance is intended to be used exclusively for the storage of wine



Contents

Warning2

Savings in energy consumption in the use.....4

Before use5

Get to know your wine cooler6

Electrical connection.....7

Installation and start-up7

Installation8

Operation and function10

Defrosting, cleaning and maintenance12

Fault finding13

Warranty, spare parts and service14

Disposal.....15

Savings in energy consumption in the use

The energy consumption reduces ..

- 1)..the lower the ambient temperature is.
- 2)..the warmer thermostat set point is.
- 3)..the lower the number and the shorter the length of the door openings is.

Before use

On receipt, check to ensure that the appliance has not been damaged during transport. Transport damage should be reported to the local distributor before the wine cooler is put to use.

Remove the packaging. Clean the inside of the cabinet using warm water with a mild detergent. Rinse with clean water and dry thoroughly (see cleaning instructions). Use a soft cloth.

If during transport the appliance has been laid down, or if it has been stored in cold surroundings (colder than + 5°C), it must be allowed to stabilise in an upright position for at least an hour before being switched on.

Get to know your wine cooler

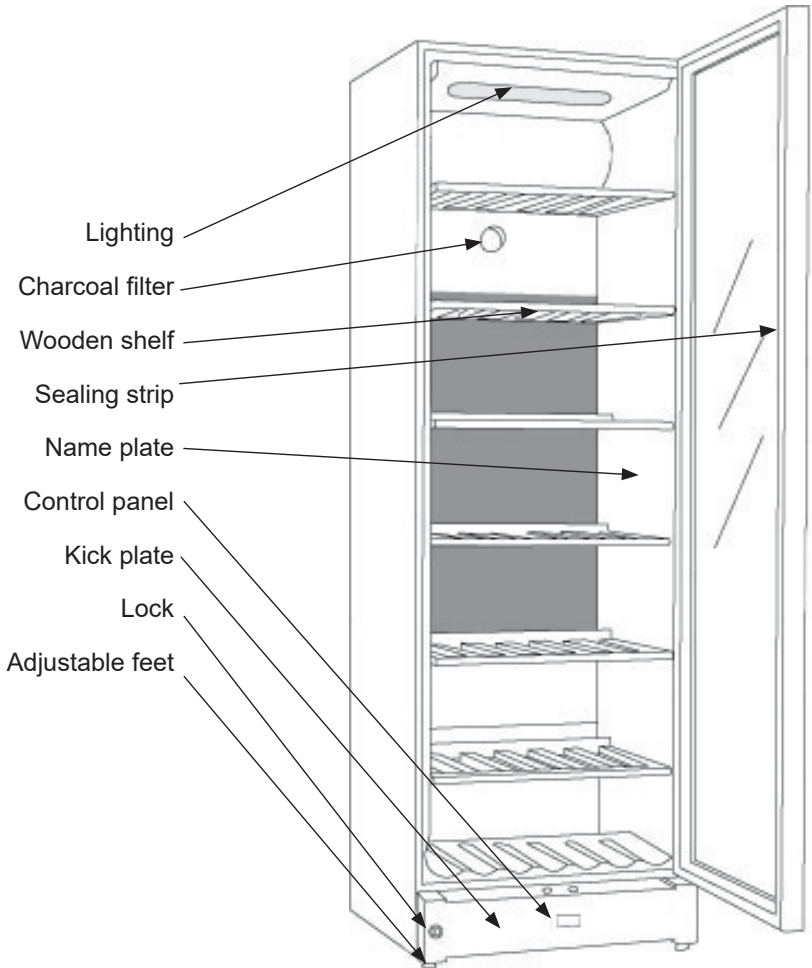


fig.1

Electrical connection

Wiring and connections in power supply systems must be all applicable (local and national) electrical codes. Consult these codes lengths and sizes prior to cabinet installation.

This device complies with relevant EU directives including Low Voltage Directive 2014/35/EU and Electromagnetic Compatibility Directive 2014/30/EU

The socket should be freely accessible.

Connect the appliance only to 220/240 V / 50Hz alternating current via a correctly installed earthed socket.

The socket must be fused with a 10-13 A fuse.

If the appliance is to be operated in a non-European country, check on the rating plate whether the indicated voltage and current type correspond to the values of your mains supply.

Information regarding voltage, current or power are given on the rating plate

The power cord may be replaced by a technician only.

The rating plate provides various technical information as well as type and serial number.

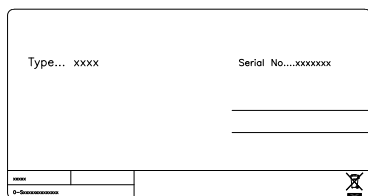


fig.2

Installation and start-up

Placement

For safety and operational reasons, the appliance must not be installed outdoors.

The appliance should be placed on a level surface in a dry, well ventilated room (max. 75% relative air humidity). Never place the appliance close to sources of heat such as cookers or radiators, and avoid placing it in direct sunlight.

Ambient temperature

The climate class is stated on the name plate. This specifies the optimum ambient temperature. Wine coolers with winter position, however, function at ambient temperatures as low as 5°C.

Climate class	Optimum room temperature
SN	+10 °C to +32 °C
N	+16 °C to +32 °C
ST	+18 °C to +38 °C
T	+18 °C to +43 °C

Installation

The surface on which the appliance is to be placed must be level. Do not use a frame or similar.

The appliance can be installed as a free-standing unit against a wall, built into a closet or lined up with other appliances.

It is important that the appliance be well ventilated and that air can circulate unhindered above, below and around it.

The figures below illustrate how the necessary air circulation around the appliance can be ensured (figs 3).

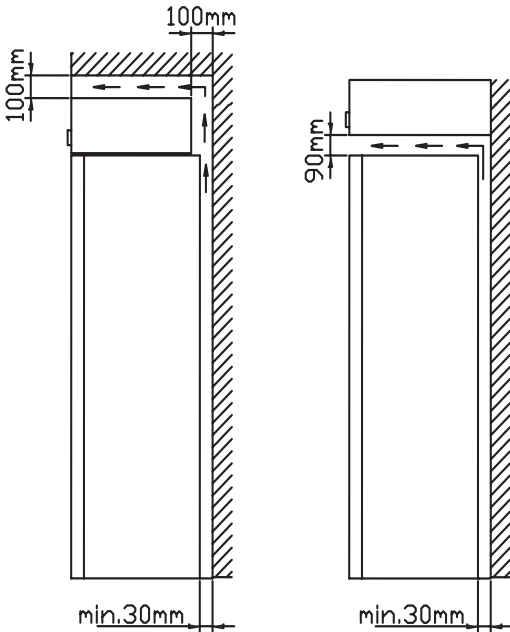


fig. 3

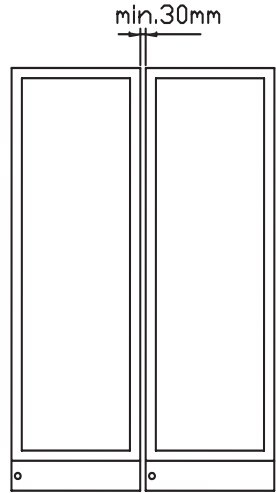


fig. 4

(fig 4) A "Side by Side" kit can be ordered

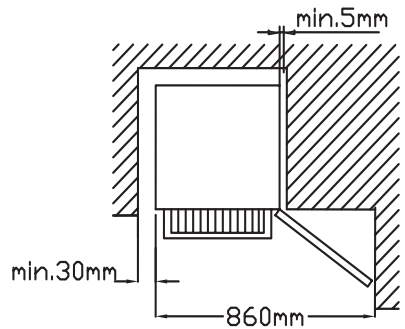


fig. 5

The distance pieces on the rear of the appliance ensure sufficient air circulation. Fit the two caps supplied with the appliance as shown in fig.6.

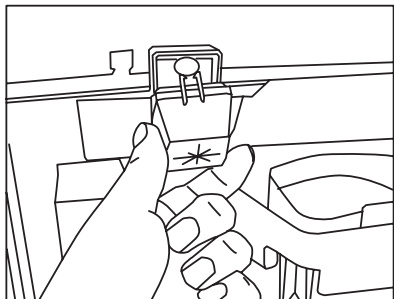


fig. 6

Max. 85 kg.

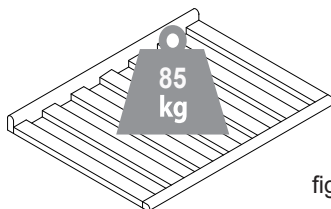


fig. 8

Setting up

It is important that the appliance be absolutely level. It can be levelled by screwing the adjustable feet at the front of the appliance up or down (fig 7). Use a spirit level to check that the appliance is absolutely level sideways.

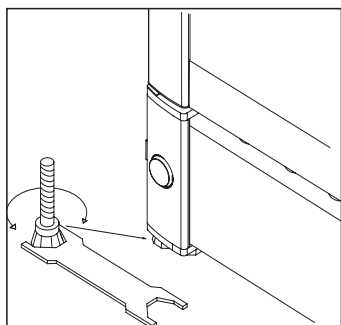


fig. 7

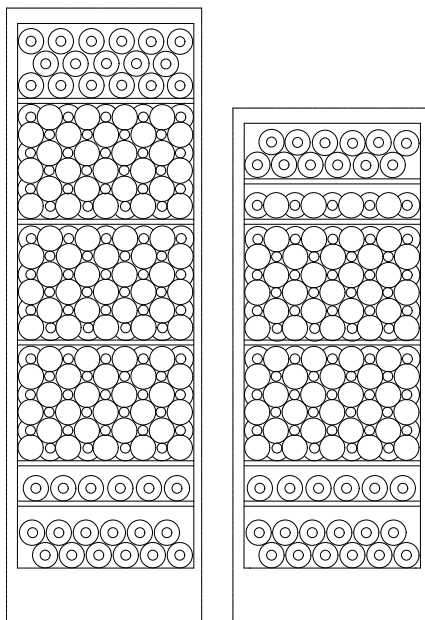


fig. 9

Operation and function

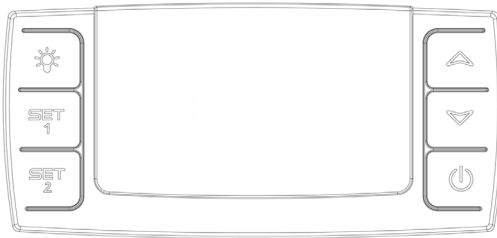


fig. 10

Electronic control

The electronic control ensures that the temperatures set at the top and at the bottom of the appliance are maintained. This is achieved by means of an advanced control of the refrigeration system, the heating element, and the fan. The set temperature will be stored in the event of power failure.

The electronic control has the following functions:

- On/off switch
- Light switch*
- Temperature setting
- Temperature indication
- Alarm for too high and too low temperatures
- Door alarm

* The light may either be turned on constantly or only when the door is open.

Temperature indication

The display shows the actual temperature. The upper digits of the display indicate the temperature at the top of the appliance, and the lower digits of the display indicate the temperature at the bottom of the appliance. The temperature indicator is equipped with

a built-in filter which simulates the actual temperature in the bottles. Consequently, the indicator does not react on short-term fluctuations of the air temperature

Temperature setting

The thermostat is equipped with a child lock device. This device is activated by pushing the “up and down” buttons simultaneously. After approx. 3 seconds “Pof” flashes in the display. Then the actual temperatures are shown as usual. In addition, the set temperatures can be shown by pushing SET1 and SET2, respectively.

The child lock device is cancelled by pushing the “up and down” buttons simultaneously. After approx. 3 seconds “Pon” flashes in the display, and the temperature can be set.

Temperature setting at the top of the appliance

Push SET1. Then the temperature at the top of the appliance can be adjusted up and down by means of the “up and down” buttons. The temperature can be adjusted from 8 to 22°C, however so that the temperature cannot be set at a lower temperature than the actual set point for the bottom temperature sensor.

Temperature setting at the bottom of the appliance

Push SET2. Then the temperature at the bottom of the appliance can be adjusted up and down by means of the “up and down” buttons. The temperature can be adjusted from 5 to 22°C, however so that the temperature cannot be set at a higher temperature than the actual set point for the upper temperature sensor.

Alarm devices

There is a sub-alarm for the low-temperature sensor and an excess-alarm for the high-temperature sensor.

The alarm consists of a beeper and a warning on the display. (🔊)

Alarm for high temperature: beep sound + alternating display of “**HtA**” and actual temperature

Alarm for low temperature: beep sound + alternating display of “**LtA**” and actual temperature

The alarm temperature depends on the set points.

The beep sound can be cancelled by pushing a random thermostat button. Push the on/off button to erase the display alarm, first for cancelling the alarm, then again for restarting the compressor.



Door alarm

When the door has been open for more than 2 minutes the door alarm is activated.

Possible door turn

It is recommended that you use a technician for reversing the swing of your refrigerator door.

Permanent lighting

For presentation purposes of your wine, you can turn on the lights permanently. Please press the light switch image  twice. If the controller is placed inside the cabinet press twice, if the controller is placed in the kick plate only press once. To switch off the permanent light press on  again.

The light will always be on when the door is open.

Two-zone setting for serving temperature

Typical serving temperature settings for the top and bottom sections are 16°C and 6°C respectively. With these settings, a suitable temperature gradient will be achieved in the cabinet for the storage of various types of wine distributed from top to bottom as follows:

- heavy red wines +16 to +19°C
- rosé and light red wines +12 to +16°C
- white wines +10 to +12°C
- champagne and sparkling wines +6 to +8°C

It is recommended that wine be served at a temperature which is a couple of degrees lower than the desired drinking temperature as the wine will be warmed slightly when it is poured into the glass.

Single-zone setting for long-term storage

For long-term wine storage, the top and bottom sections should both be set at 12°C. With identical settings for the top and bottom sections, the controls will maintain an even temperature throughout the cabinet.

However, the temperature in the room will gradually affect the temperature in the

cabinet through its door and sides, creating a slight temperature gradient from top to bottom. The controls will maintain the set temperature at the bottom of the cabinet, and any deviation from the setting will therefore occur at the top.

The difference will vary from 0 to 3°C, depending on the ambient temperature.

The frost protection thermostat

The appliance has a frost protection thermostat that take over control and run the appliance in safety mode in case of malfunction. In safety mode the cabinet will contain temperature between 2°C – 4°C.

Defrosting, cleaning and maintenance

Automatic defrosting.

The wine cooler is defrosted automatically. Defrost water runs through a pipe and is collected in a tray above the compressor where the heat generated by the compressor causes it to evaporate. The defrost water tray should be cleaned at intervals.

Cleaning.

Before cleaning the appliance, unplug it from the main supply. The cabinet is best cleaned using warm water (max. 65°C) with a little mild detergent. Never use cleaning agents that scour. Use a soft cloth. Rinse with clean water and dry thoroughly. The defrost water channel, in which condensation from the evaporator runs, is located at the bottom of the rear inside wall of the

cabinet and must be kept clean. Add a few drops of disinfectant, e.g. Rodalon, to the defrost water drain a couple of times a year, and clean the drain using a pipe cleaner or similar. Never use sharp or pointed implements.

The sealing strip around the door must be cleaned regularly to prevent discolouration and prolong service life. Use clean water. After cleaning the sealing strip, check that it continues to provide a tight seal.

Dust collecting on the condenser on the rear of the cabinet, the compressor and in the compressor compartment is best removed using a vacuum cleaner.

Fault finding

Fault	Possible cause	Remedy
The appliance is not working.	The appliance is switched off. Power failure; the fuse is blown; the appliance is not plugged in correctly.	Press the on/off switch. Check that power is connected. Reset the fuse.
Water collects in the bottom of the cabinet.	The defrost water pipe is blocked.	Clean the defrost water channel and the drain hole on the rear wall of the cabinet.
Vibration or bothersome noise.	The appliance is not level. The appliance is resting against other kitchen elements. Containers or bottles inside the cabinet are rattling against one another.	Level the appliance using a spirit level. Move the appliance away from the kitchen elements or appliances it is in contact with. Move containers and/or bottles apart.
Compressor runs continuously.	High room temperature.	Ensure adequate ventilation.
P1 is shown on the display.	The upper sensor is disconnected or short-circuited.	Call for service. The temperature within the entire cabinet is maintained at the higher of the two setpoints until the fault has been corrected.
P2 is shown on the display.	The lower sensor is disconnected or short-circuited.	Call for service. The temperature within the entire cabinet is maintained at the higher of the two setpoints until the fault has been corrected.
The appliance is too cold.	The appliance runs in safety mode.	Call for service.

Warranty, spare parts and service

Warranty disclaimer

Faults and damage caused directly or indirectly by incorrect operation, misuse, insufficient maintenance, incorrect building, installation or mains connection. Fire, accident, lightning, voltage variation or other electrical interference, including defective fuses or faults in mains installations.

Repairs performed by others than approved service centres and any other faults and damage that the manufacturer can substantiate are caused by reasons other than manufacturing or material faults are not covered by the warranty.

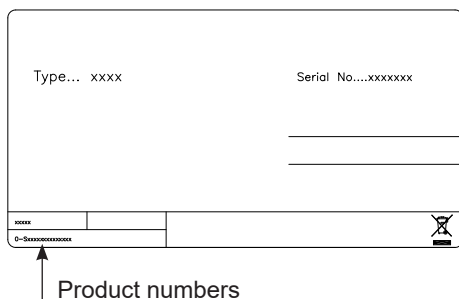
Please note that changes to the construction of the appliance or changes to the component equipment of the appliance will invalidate warranty and product liability, and the appliance cannot be used lawfully. The approval stated on rating plate will also be invalidated.

Transport damage discovered by the buyer is primarily a matter to be settled between the buyer and the distributor, i.e. the distributor must ensure that such complaints are resolved to the buyer's satisfaction.

Before calling for technical assistance, please check whether you are able to rectify the fault yourself. If your request for assistance is unwarranted, e.g. if the appliance has failed as a result of a blown fuse or incorrect operation, you will be charged the costs incurred by your call for technical assistance.

Spare parts

When ordering spare parts, please state the type, serial and product numbers of your appliance. This information is given on the rating plate. The rating plate contains various technical information, including type and serial numbers.



Disposal

Information for Users on Collection and Disposal of Old Equipment and used Batteries



These symbols on the products, packaging, and/or accompanying documents mean that used electrical and electronic products and batteries should not be mixed with general household waste. For proper treatment, recovery and recycling of old products and used batteries, please take them to applicable collection points, in accordance with your national legislation and the Directives 2002/96/EC and 2006/66/EC.

By disposing of these products and batteries correctly, you will help to save valuable resources and prevent any potential negative effects on human health and the environment which could otherwise arise from inappropriate waste handling.

For more information about collection and recycling of old products and batteries, please contact your local municipality, your waste disposal service or the point of sale where you purchased the items.

Penalties may be applicable for incorrect disposal of this waste, in accordance with national legislation.



For business users in the European Union.

If you wish to discard electrical and electronic equipment, please contact your dealer or supplier for further information.

[Information on Disposal in other Countries outside the European Union]

These symbols are only valid in the European Union. If you wish to discard this product, please contact your local authorities or dealer and ask for the correct method of disposal.

Note for the battery symbol:



This symbol might be used in combination with a chemical symbol. In this case it complies with the requirement set by the Directive for the chemical involved.

Warnung

Da ein brennbares Gas als Kältemittel in diesem Gerät dient, ist es wichtig sicherzustellen, dass kein Teil des Kühlkreislaufs oder der Rohre beschädigt ist.

Die Menge und Art von Kältemittel im Gerät ist auf dem Typenschild angegeben.

Der Standard EN378 spezifiziert, dass der Raum, in dem das Gerät installiert wird, ein Volumen von 1m³ pro 8 g Kohlenwasserstoff-Kältemittel, das im Gerät verwendet ist, haben soll. Dies ist zu beachten, um die Bildung von leicht entzündlichen Gasgemischen in dem Raum, wo das Gerät installiert ist, zu vermeiden, falls eine Undichtigkeit des Kühlkreislaufs entsteht.

WARNUNG:

Bitte beachten Sie bei der Platzierung der Waren im Gerät, dass die Luftzirkulation durch Verstellen der Luftaustrittsöffnungen des Lüfters nicht behindert wird.

WARNUNG:

Verwenden Sie keine anderen mechanischen Geräte oder Hilfsmittel, um den Abtauprozess zu beschleunigen, als diejenigen, die vom Hersteller empfohlen sind.

WARNUNG:

Beschädigen Sie nicht den Kühlkreislauf.

WARNUNG:

Verwenden Sie keine elektrischen Geräte im Gerät, es sei denn, dass die Geräte vom Hersteller empfohlen sind.

WARNUNG:

Das Gerät nicht dem Regen aussetzen.

WARNUNG:

Dieses Gerät ist nicht zur Verwendung durch Personen (einschließlich Kinder) mit eingeschränkten physischen, sensorischen oder geistigen Fähigkeiten oder fehlender Erfahrung und Wissen bestimmt, es sei denn, eine angemessene Aufsicht oder Anleitung zur Benutzung.

zung des Geräts durch eine für ihre Sicherheit zuständige Person ist gegeben. Kinder sollten beaufsichtigt werden um sicherzustellen, dass sie nicht mit dem Gerät spielen

WARNUNG:

Keine Produkte mit brennbaren Treibgasen (z. B. Spraydosen) und keine explosiven Stoffe lagern. Explosionsgefahr



WARNUNG:

Gefahr von Feuer oder Explosion wenn brennbares Kältemittel ist verwendet. Darf nur von Fachpersonal repariert werden

- Vor Reparatur oder Reinigung des Gerätes den Netzstecker aus der Steckdose ziehen.
- Wenn die Anschlussleitung beschädigt ist, darf sie nur von einem autorisierten Kundendienst ausgewechselt werden, um Gefahr zu vermeiden.

- Beachten Sie bitte, dass Änderungen der Konstruktion dieses Gerätes zur Folge haben, dass Gewährleistung und Produkthaftung erlöschen.
- Dieses Gerät eignet sich insbesondere zur Lagerung von Getränken in Flaschen oder Dosen.
- Before servicing or cleaning the appliance, unplug the appliance from the mains or disconnect the electrical power supply
- Idung von Reif auf der inneren Verdampferplatte und den obersten Teilen ist normal. In Verbindung mit Reinigung oder Wartung muss das Gerät deshalb entfrosten werden.
- Dieses Gerät ist ausschließlich zur Lagerung von Wein bestimmt
- Nur im Innenbereich anwenden

Beleuchtung: Klasse 1, LED Produkt

Inhalt

Warnung2

Energieeinsparung während des
Gebrauchs4

Vor dem Gebrauch5

Lernen Sie Ihren Weinschrank zu kennen..6

Elektrischer Anschluss.....7

Inbetriebnahme und Installation7

Installation8

Bedienung und Funktion.....10

Abtauen, Reinigung und Wartung.....12

Fehlersuche13

Reklamation, Ersatzteile und Service14

Entsorgung15

Energieeinsparung während des Gebrauchs

Der Energieverbrauch ist geringer...

- 1) ..je niedriger die Umgebungstemperatur ist
- 2) ..je wärmer der Thermostatsollwert eingestellt ist
- 3) ..je weniger man die Tür öffnet und umso kürzer die Türöffnungszeit ist.

Vor dem Gebrauch

Kontrollieren Sie das Gerät sofort bei Lieferung auf eventuelle Beschädigungen. Transportschäden sind dem Händler zu melden, bevor das Gerät in Gebrauch genommen wird.

Verpackung entfernen. Das Schrankinnere mit lauwarmem Wasser und etwas mildem Spülmittel reinigen. Mit klarem Wasser nachwischen und gründlich trocknen (siehe "Reinigung"). Verwenden Sie ein weiches Tuch.

Falls das Gerät liegend transportiert wurde oder einer Temperatur von weniger als +5 °C ausgesetzt war, muss es vor dem Einschalten mindestens eine Stunde lang bei höherer Außentemperatur aufrecht stehen.

Lernen Sie Ihren Weinschrank zu kennen

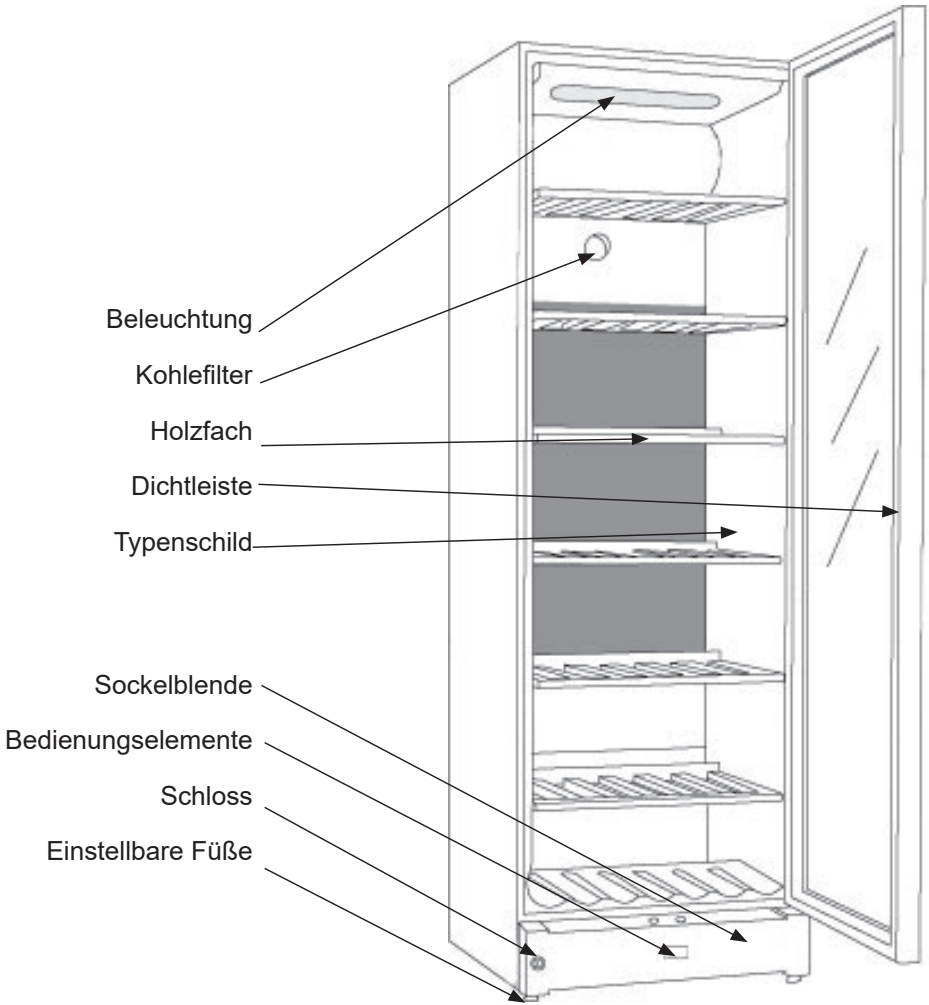


Abb.1

Elektrischer Anschluss

Verkabelung und Anschlüsse in Stromversorgungssystemen müssen allen (örtlichen und nationalen) Elektrovorschriften entsprechen. Machen Sie sich vor dem Einbau mit den Angaben in diesen Vorschriften vertraut

Dieses Gerät entspricht den einschlägigen EU-Richtlinien einschließlich:

Niederspannungsrichtlinie 2014/35/EU.
Elektromagnetische Kompatibilitätsrichtlinie 2014/30/EU

Die Steckdose sollte frei zugänglich sein. Das Gerät an (220/240 V / 50Hz) Wechselstrom über eine vorschriftsmäßig installierte Steckdose anschließen.

Die Steckdose muss mit einer 10A - 13A Sicherung abgesichert sein.

Bei Geräten, die in nicht-europäischen Ländern betrieben werden, ist auf dem Typenschild zu überprüfen, ob die angegebene Spannung und Stromart mit den Werten Ihres Stromnetzes übereinstimmt.

Informationen über Spannung und Leistungsaufnahme / Strom sind auf dem Typenschild.

Das Typenschild, das sich im Gerät befindet, enthält verschiedene technische Angaben sowie Typen- und Seriennummer.

Ein eventuell notwendiger Austausch der Netzanschlussleitung darf nur durch einen Fachmann erfolgen

Inbetriebnahme und Installation

Aufstellort

Aus Sicherheits- und betriebstechnischen Gründen darf das Gerät nicht im Freien aufgestellt werden.

Stellen Sie den Schrank auf einen ebenen Untergrund in einem trockenen, gut belüfteten Raum (max. 75 % relative Luftfeuchtigkeit). Stellen Sie den Schrank nicht in unmittelbarer Nähe von Wärmequellen wie Herden oder Heizkörpern auf, und vermeiden Sie direkte Sonneneinstrahlung oder Wärme von anderen Wärmequellen .

Umgebungstemperatur

Die Klimaklasse finden Sie auf dem Typenschild. Sie gibt an, innerhalb welcher Umgebungstemperatur bereiche der Kühlschrank optimal arbeitet. Weinschränke mit Winterposition fungieren bis zu einer Umgebungstemperatur von 5 °C.

Klimaklasse	Zulässige Raumtemperatur
SN	+10 °C bis +32 °C
N	+16 °C bis +32 °C
ST	+18 °C bis +38 °C
T	+18 °C bis +43 °C

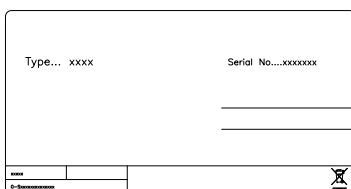


Abb..2

Installation

Die Unterlage zum Aufstellen des Schrankes muss eben sein. Verwenden Sie keinen Rahmen o.ä.

Der Schrank kann frei an einer Wand stehen, in ein Schrank eingebaut werden oder neben anderen Schränken aufgestellt werden

Der Schrank muss ausreichend belüftet sein, und die Luftzirkulation über und unter ihm sowie seitlich vom Schrank darf nicht behindert sein.

Wird der Schrank an einer Wand aufgestellt, ist darauf zu achten, soviel Platz zu lassen, dass die Tür genug geöffnet werden kann.

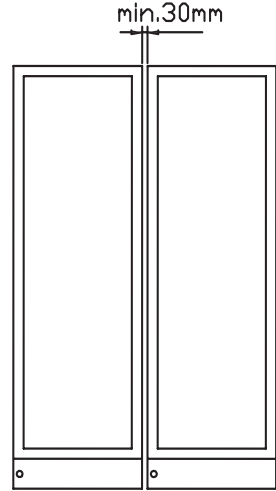


Abb. 4

(Abb.4)
A "Seite an Seite" Kit kann bestellt werden

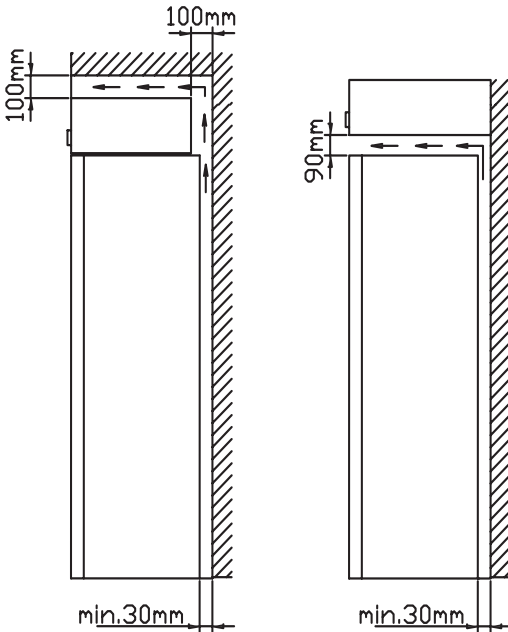


Abb. 3

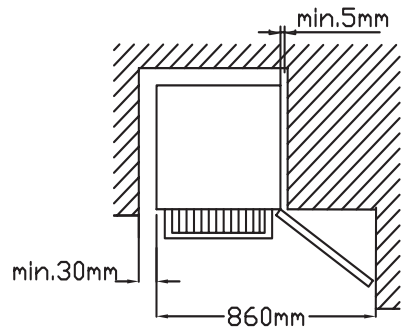


Abb. 5

Belüftung

Die Abstandsstücke auf der Rückseite des Schrankes sichern die erforderliche Luftzirkulation. Die beiden Abdeckungen montieren, die zusammen mit dem Schrank mitgeliefert werden (siehe Abb. 6)
(Zwei verschiedene Modelle)

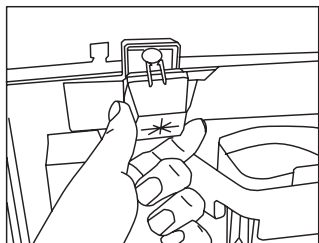


Abb 6

Max. 85 kg.

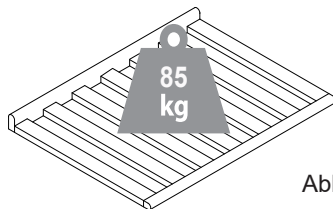


Abb. 8

Aufstellung

Der Schrank muss waagrecht stehen. Der Schrank kann durch Drehen der einstellbaren FüÙe ausgerichtet werden (siehe Abb. 7).

Prüfen Sie mit einer Wasserwaage nach, ob der Schrank waagrecht steht.

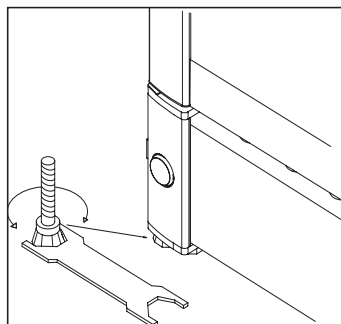


Abb. 7

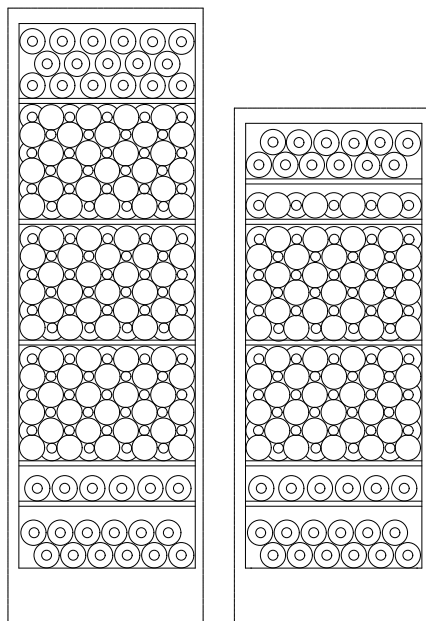


Abb. 9

Bedienung und Funktion

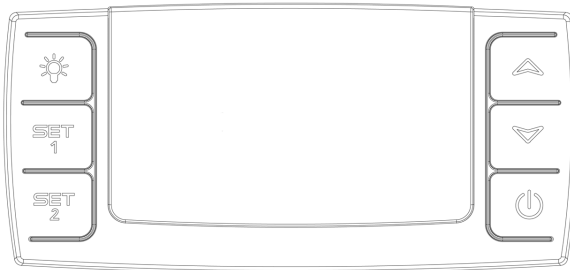


Abb. 10

Elektronische Steuerung

Die elektronische Steuerung sorgt dafür dass die eingestellten Temperaturen oben und unten im Gerät gehalten werden. Dies wird mit der fortschrittlichen Steuerung im Zusammenspiel von Kühlsystem, Wärmeleitung und Ventilator erreicht.

Nach einem evt. Stromausfall kehrt das System automatisch zu den eingestellten Temperaturwerten zurück.

Die elektronische Steuerung hat folgende Funktionen:

- Ein/Aus Schalter
- Lichtschalter*
- Temperatureinstellung
- Temperaturanzeige
- Automatisches Abtauen
- Alarmanzeige bei zu hoher oder niedriger Temperatur
- Türalarm

* Das Licht kann entweder generell oder nur bei geöffneter Tür brennen.

Temperaturanzeige

Das Display zeigt die aktuelle Temperatur. Die obere Zahl im Display zeigt die Temperatur oben im Gerät, die untere Zahl die Temperatur unten im Gerät. Die Temperaturanzeige hat ein eingebautes Filter mit dem die Temperatur in den Flaschen simuliert wird. Deshalb reagiert die Anzeige nicht auf kurzzeitige Änderungen der Lufttemperatur z.B nach dem Öffnen der Tür

Temperatureinstellung

Der Thermostat hat eine Kindersicherung. Sie wird durch gleichzeitiges drücken der Tasten „hoch und runter“ von ca. 3 sek. eingeschaltet. Im Display blinkt **”Pof”**. Danach wird wieder die aktuelle Temperatur angezeigt. Ausserdem kann man durch Drücken von SET1 und SET2 die eingestellten Temperaturen sehen.

Die Kindersicherung wird durch gleichzeitiges Drücken von „hoch und runter“ von ca. 3 sek. wieder ausgeschaltet und im Display blinkt **„Pon“**. Danach können Temperaturen eingestellt werden.

Temperatureinstellung oben

Drücke auf SET1. Danach kann die Temperatur oben im Gerät mit den Tasten „rauf und runter“ gewählt werden. Der Einstellbereich geht von 8 bis 22°C, jedoch kann kein Wert kleiner als der Temperaturwert für unten gewählt werden.

Temperatureinstellung unten

Drücke auf SET2. Danach kann die Temperatur unten im Gerät mit den Tasten „rauf und runter“ gewählt werden. Der Einstellbereich geht von 5 bis 22°C, jedoch kann kein Wert höher als der Temperaturwert für oben gewählt werden.

Alarmfunktion

Der Alarm wird durch einen Piepton und eine Anzeige im Display signalisiert. (🔊)

Alarm bei zu hoher Temperatur: Piepton und die Anzeige blinkt zwischen „HtA“ und aktueller Temperatur.

Alarm bei zu tiefer Temperatur: Piepton und die Anzeige blinkt zwischen „Lta“ und aktueller Temperatur.

Die Alarmtemperaturen sind abhängig von den eingestellten Temperaturwerten.

Der Piepton kann durch Drücken einer beliebigen Taste abgeschaltet werden.

Um die Alarmanzeige abzuschalten muss die on/off Taste 2mal gedrückt werden, zuerst um den Alarm zurückzusetzen und danach noch einmal um das Gerät neu zu starten.

Türalarm

Wenn die Tür länger als 2 min offen steht wird der Türalarm aktiviert.

Wechsel der Türaufhängung

Es wird empfohlen hiermit einen Techniker zu beauftragen.

Beleuchtung

Zur Präsentation Ihres Weines können Sie das Licht dauerhaft einschalten. Befindet sich der Controller im Schrank drücken Sie die Taste mit dem Symbol ✨ zweimal. Befindet sich der Controller im Fußteil drücken Sie die Taste mit dem Symbol ✨ einmal. (geschlossene Tür)

Um das Dauerlicht auszuschalten drücken Sie die Taste mit dem Symbol ✨ erneut.

Das Licht ist immer an wenn die Tür geöffnet ist.

Mehrzoneneinstellung für Serviertemperatur

Typisch für diese Anwendung ist eine Ober-/Boden-Einstellung von 16/6 °C. Mit dieser Einstellung verteilen sich die Temperaturen durch den Schrank zur Aufbewahrung verschiedener Weintypen gemäß folgender von oben nach unten gehender Reihenfolge:

- schwere Rotweine +16 bis +19 °C
- Rosé und leichte Rotweine +12 bis +16°C
- Weißwein +10 bis +12 °C
- Champagner und Schaumweine +6 bis +8°C

Es empfiehlt sich, die Weine ein paar Grade kälter als die gewünschte Trinktemperatur zu servieren, da sich der Wein beim Einschlenken ins Glas rasch etwas erwärmt.

Einzoneneinstellung für Langzeitlagerung

Zur Langzeitlagerung von Weinen empfiehlt sich eine Oberteil-/Boden-Einstellung von 12/12 °C.

Mit der gleichen Einstellung im Oberteil und Boden sorgt das Kühlsystem für eine gleichmäßige Temperatur im ganzen Schrank.

Jedoch drängt die Umgebungstemperatur langsam durch die Tür und Seiten des Schrankes ein und verursacht einen kleinen Temperaturunterschied zwischen Oberteil und Boden. Der Schrank wird am Boden nach der eingestellten Temperatur gesteuert, weshalb Abweichungen im Oberteil auftreten.

Der Unterschied liegt zwischen 0–3 °C, abhängig von der Umgebungstemperatur.

Der Frostschutzthermostat

Der Kühlschrank verfügt über einen Frostschutzthermostat der die Kontrolle im Falle einer Störung übernimmt und den Schrank in den Sicherheitsmodus überführt. Im Sicherheitsmodus liegt die Schranktemperatur zwischen 2 °C und 4 °C.

Abtauen, Reinigung und Wartung

Automatisches Abtauen des Kühlschranks

Der Kühlschrank wird automatisch abgetaut, das Tauwasser läuft durch ein Rohr in die Tauwasserschale, die sich auf dem Kompressor befindet. Das Wasser verdampft durch die Betriebswärme des Kompressors. Die Tauwasserschale ist gelegentlich zu reinigen.

Reinigung

Zum Reinigen des Schrankinnern den Schrank am Ein-/Ausshalter ausschalten. Eine Mischung aus warmem Wasser und Spülmittel (max. 65 °C) ist dazu am besten geeignet). Verwenden Sie keine Reinigungsmittel, die Kratzer verursachen können. Verwenden Sie ein weiches Tuch.

Mit klarem Wasser nachwischen und gut abtrocknen. Die Tauwasserrinne, durch die das Kondenswasser vom Verdampfer herab läuft, befindet sich innen an der Schrankrückwand. Sie ist stets sauber zu halten. Tropfen Sie mehrmals jährlich ein Desinfektionsmittel in den Tauwasserabfluss. Mit einem Pfeifenreiniger o.ä. reinigen. Niemals scharfkantige oder spitze Gegenstände verwenden.

Die Türdichtleiste muss regelmäßig gereinigt werden, um Verfärbungen zu vermeiden und lange Haltbarkeit zu gewährleisten. Klares Wasser verwenden. Nach der Reinigung der Türdichtleiste prüfen, ob sie dicht schließt.

Vom Rückwandverflüssiger, Kompressor und Kompressorraum den Staub am besten mit einem Staubsauger entfernen.

Fehlersuche

Fehler	Mögliche Ursache	Abhilfe
Der Schrank reagiert nicht.	Der Schrank ist abgeschaltet Stromausfall; Sicherung hat angesprochen; Netzstecker nicht richtig eingesteckt.	Ein-/Ausschalter betätigen. Prüfen, ob der Strom angeschlossen ist. Die Sicherung muss intakt/eingeschaltet sein.
Es läuft Wasser auf den Boden des Kühlschranks.	Das Tauwasserabflussrohr ist verstopft.	Tauwasserrinne und Abflussloch in der Rückwand reinigen.
Vibrationen oder störende Geräusche.	Der Schrank steht schief. Der Schrank berührt andere Küchenelemente. Behälter oder Flaschen im Schrank berühren sich.	Schrank mit einer Wasserwaage ausrichten. Schrank von den Küchenelementen oder Geräten abrücken, die er berührt. Für Abstände zwischen Flaschen und/oder Behältern sorgen.
Der Kompressor läuft ständig.	Hohe Raumtemperatur.	Für gute Belüftung sorgen.
Steuerung zeigt P1 an	Oberer Fühler ist unterbrochen oder kurzgeschlossen	Rufen Sie den Kundendienst. Der gesamte Schrank wird gemäß dem wärmsten Sollwert gesteuert, bis die Störung behoben ist.
Steuerung zeigt P2 an	Unterer Fühler ist unterbrochen oder kurzgeschlossen.	Rufen Sie den Kundendienst. Der gesamte Schrank wird gemäß dem wärmsten Sollwert gesteuert, bis die Störung behoben ist.
Der Schrank ist zu kalt	Der Schrank ist im Sicherheitsmodus	Rufen Sie den Kundendienst.

Reklamation, Ersatzteile und Service

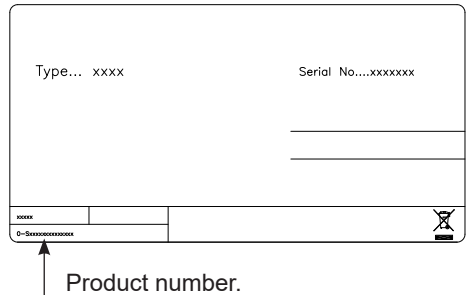
Der Lieferant haftet nicht für Fehler oder Schäden, die direkt oder indirekt durch Fehlbedienung, Missbrauch, mangelhafte Wartung, fehlerhaften Einbau, fehlerhafte Aufstellung oder fehlerhaften Anschluss sowie Feuer, Unfall, Blitzschlag, Spannungsänderungen oder andere elektrische Störungen – wie z.B. defekte Sicherungen oder Fehler in der Netzinstallation – sowie von anderen als den von dem Lieferanten vorgeschriebenen Reparaturbetrieben ausgeführten Reparaturen verursacht wurden, und allgemein nicht für Fehler und Schäden, die der Lieferant nachweislich auf andere Ursachen als Fabrikations- und Materialfehler zurückführen kann. Diese Fehler oder Schäden fallen nicht unter das Reklamationsrecht.

Transportschäden, die der Anwender feststellt, sind primär eine Sache zwischen ihm und dem Händler, d.h. der Händler hat den Anwender zufrieden zu stellen.

Bevor Sie den Kundendienst rufen, prüfen Sie bitte, ob Sie den Fehler selbst beheben können (siehe Fehlersuche). Ist Ihr Hilfverlangen unberechtigt, beispielsweise weil das Versagen des Geräts auf eine defekte Sicherung oder Fehlbedienung zurück zu führen ist, gehen die Kosten für den Service besuch zu Ihren Lasten.

Ersatzteile

Bitte bei der Ersatzteilbestellung Typ- und Seriennummer sowie Produktnummer angeben. Diese Angaben finden Sie auf dem Typenschild an der Geräterückseite.



Das Typenschild enthält verschiedene technische Angaben, u.a. auch Typ- und Seriennummer. Denken Sie daran! Stets nur autorisierte Handwerker zu beauftragen, wenn ein Teil repariert oder ausgetauscht werden muss!

Entsorgung

Benutzerinformation zur Sammlung und Entsorgung von veralteten Geräten und benutzten Batterien.



Diese Symbole auf den Produkten, Verpackungen und/oder Begleitdokumenten bedeuten, dass benutzte elektrische und elektronische Produkte und Batterien nicht in den allgemeinen Hausmüll gegeben werden sollen. Bitte bringen Sie diese alten Produkte und Batterien zur Behandlung, Aufarbeitung bzw. zum Recycling gemäß Ihrer Landesgesetzgebung und den Richtlinien 2002/96/EG und 2006/66/EG zu Ihren zuständigen Sammelpunkten.

Indem Sie diese Produkte und Batterien ordnungsgemäß entsorgen, helfen Sie dabei, wertvolle Ressourcen zu schützen und eventuelle negative Auswirkungen auf die menschliche Gesundheit und die Umwelt zu vermeiden, die anderenfalls durch eine unsachgemäße Abfallbehandlung auftreten können.

Wenn Sie ausführlichere Informationen zur Sammlung und zum Recycling alter Produkte und Batterien wünschen, wenden Sie sich bitte an Ihre örtlichen Verwaltungsbehörden, Ihren Abfallentsorgungsdienstleister oder an die Verkaufseinrichtung, in der Sie die Gegenstände gekauft haben.

Gemäß Landesvorschriften können wegen nicht ordnungsgemäßer Entsorgung dieses Abfalls Strafgebühren verhängt werden.



Für geschäftliche Nutzer in der Europäischen Union.

Wenn Sie elektrische oder elektronische Geräte entsorgen möchten, wenden Sie sich wegen genauerer Informationen bitte an Ihren Händler oder Lieferanten.

Informationen zur Entsorgung in Ländern außerhalb der Europäischen Union

Diese Symbole gelten nur innerhalb der Europäischen Union. Bitte treten Sie mit Ihrer Gemeindeverwaltung oder Ihrem Händler in Kontakt, wenn Sie dieses Produkt entsorgen möchten, und fragen Sie nach einer Entsorgungsmöglichkeit.



Hinweis zum Batteriesymbol:

Dieses Symbol kann in Kombination mit einem chemischen symbol verwendet werden. In diesem Fall erfüllt es die Anforderungen derjenigen Richtlinie, die für die betreffende Chemikalie erlassen wurde.

Advarsel

Da kølemidlet, som anvendes i apparatet, er en brændbar gasart, er det vigtigt at sikre, at kølekredsløb og rør ikke er beskadigede.

Mængde og type af kølemiddel i apparatet er angivet på typeskiltet.

Standard EN378 angiver, at rummet hvor apparatet installeres skal have en volumen på 1 m³ pr. 8 g kulbrinte kølemiddel, der er brugt i apparatet. Dette er for at undgå dannelse af brandfarlige gas-/luftblandinger i rummet, hvis der skulle opstå en utæthed i kølekredsløbet.

ADVARSEL:

Lad ventilationsåbninger, i apparatets kabinet og i eventuelt indbygningsmodul, være utildækkede.

ADVARSEL:

Anvend ikke mekaniske apparater eller andre hjælpemidler til at fremskynde afrimningsprocessen, udover dem som er anbefalet af fabrikanten.

ADVARSEL:

Undgå at beskadige kølemiddel-systemet

ADVARSEL:

Anvend ikke elektriske apparater inde i apparatet, medmindre de er af en type som er anbefalet af fabrikanten.

ADVARSEL:

Apparatet må ikke udsættes for regn.

ADVARSEL:

Dette apparat er ikke beregnet til at blive anvendt af børn, medmindre det er blevet tilstrækkeligt kontrolleret af en ansvarlig person, sådan at apparatet kan anvendes forsvarligt. Børn skal være under opsyn for at sikre at de ikke leger med apparatet.

ADVARSEL:

Opbevar ikke eksplosive stoffer såsom spraydåser med en brændbar drivgas i dette apparat.

ADVARSEL:

Fare og risiko for brand eller eksplosion da kølemidlet er brændbart. Apparatet må kun reparereres af uddannet personale.



- Apparatet er udelukkende beregnet til opbevaring af vin.

CLASS 1 LED PRODUCT

- Opbevar altid nøgler et separat sted utilgængeligt for børn.
- Træk stikket ud af stikkontakten før reparation eller rengøring af apparatet.
- Hvis netledningen er beskadiget, skal den udskiftes af producenten, producentens serviceagent eller anden fagmand for at undgå fare.
- Dannelse af rim på den indvendige fordamperplade og de øverste dele er normalt. Apparatet skal derfor afrimes i forbindelse med almindelig rengøring eller vedligeholdelse.
- Vær opmærksom på at ændringer i apparatets konstruktion vil medføre, at al garanti og produktansvar bortfalder.



Indhold

Advarsel.....	2
Energispare forslag	4
Inden brug	5
Lær vinskabet at kende	6
Tekniske data.....	7
Ibrugtagning og installation.....	7
Installation	8
Betjening og funktion	11
Afrimning, rengøring og vedligeholdelse ..	12
Fejlfindningsliste	13
Reklamation, reservedele og service	14
Bortskaffelse	15

Energispare forslag

Energiforbruget reduceres ..

- 1) .. jo lavere den omgivende temperatur er.
- 2) .. jo varmere termostat indstillingen er.
- 3) .. jo færre antal gange, døren bliver åbnet og jo kortere tid, døren står åben

Inden brug

Kontroller at skabet ikke er beskadiget ved modtagelsen. Transportskader skal anmeldes til forhandleren inden køleskabet tages i brug.

Fjern emballagen. Rengør skabet indvendigt med lunken vand tilsat et mildt opvaskemiddel. Afvask med rent vand og tør grundigt af (se rengøring). Brug en blød klud.

Hvis skabet har ligget ned under transport eller det er blevet opbevaret i kolde omgivelser (koldere end +5 °C) skal apparatet stå op i minimum en time inden ibrugtagning.

Lær vinskabet at kende

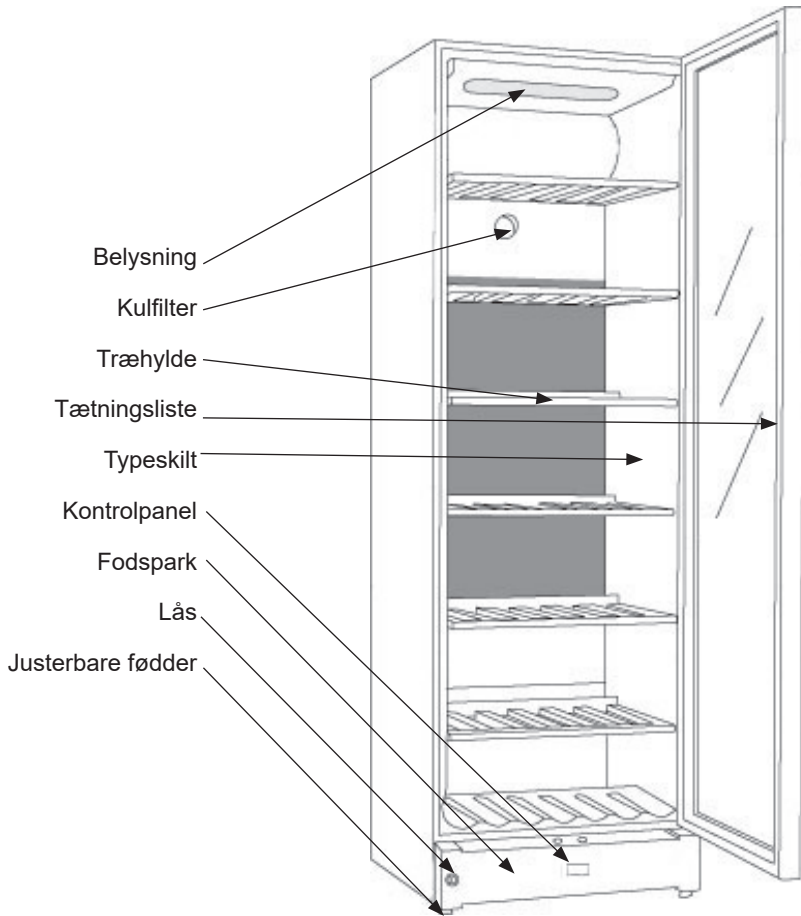


fig.1

Tekniske data

Denne enhed overholder de relevante EU-direktiver, herunder Lavspændingsdirektivet 2014/35/EU - Elektromagnetisk kompatibilitet direktiv 2014/30/EU

Typeskiltet, fig. 2, som er placeret inde i apparatet, indeholder forskellige tekniske oplysninger samt type- og serienummer.

Kabelføring og forbindelser til strøm forsynings systemer skal overholde alle (lokale og nationale) standarder.

Stikkontakten skal være let tilgængelig.

Tilslut apparatet til 220-240 V / 50 Hz vekselstrøm via en korrekt installeret stikkontakt med jordforbindelse. Stikkontakten skal være sikret med en 10 -13 A sikring.

For udstyr, der anvendes i ikke-europæiske lande, tjekkes på typeskiltet om strømforsyningen har den korrekte angivne spænding og strømstyrke

Spænding og strøm / energi er angivet på typeskiltet

Hvis netledningen er beskadiget, skal den udskiftes af producenten, producentens serviceagent eller anden fagmand for at undgå fare.

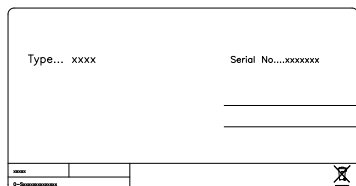


fig.2

Ibrugtagning og installation

Placering

Af sikkerhedsmæssige og driftsmæssige grunde må apparatet ikke placeres uden-dørs.

Stil skabet på et plant underlag i et tørt og godt ventileret rum (max. 75% relativ luftfugtighed). Anbring ikke skabet tæt på varmekilder såsom komfur eller radiator og undgå at det udsættes for direkte sollys eller varme fra anden varmekilde.

Omgivende temperatur

Klimaklassen står på typeskiltet. Den angiver indenfor hvilke omgivende temperaturer kølekabet kører optimalt. Vinskabene med vinterposition fungerer dog ned til 5° C.

Klimaklasse	Tilladte temperatur
SN	+10 °C til +32 °C
N	+16 °C til +32 °C
ST	+18 °C til +38 °C
T	+18 °C til +43 °C

Installation

Underlaget hvorpå skabet opstilles skal være plant. Brug ikke en ramme eller lignende.

Skabet kan stå frit op ad en væg, bygges ind i et køkkenelement eller stå side om side med andre skabe.

Ventilation

Det er vigtigt, at skabet får tilstrækkelig ventilation og at der er uhindret luftcirkulation over, under og omkring det. Figurene nedenfor viser, hvordan du sikrer den nødvendige cirkulation omkring skabet

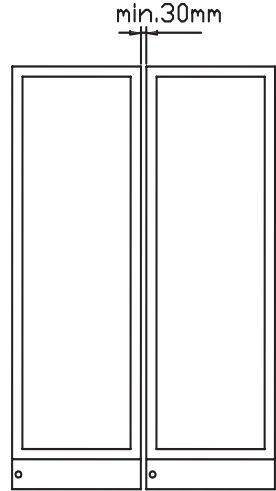


fig. 4

(fig 4)
Et "Side by Side" kit kan bestilles.

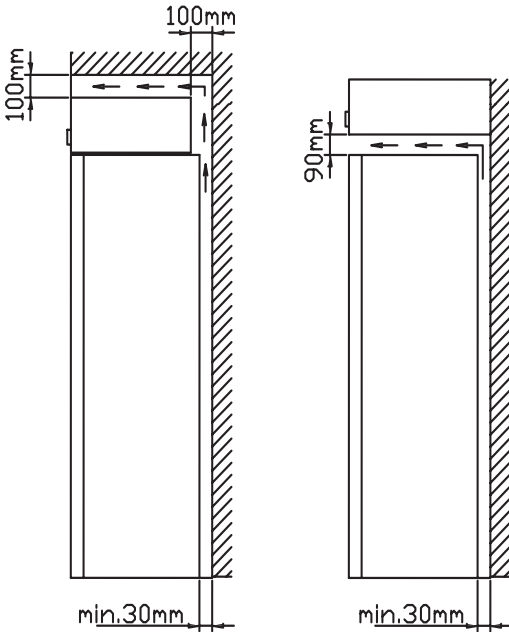


fig. 3

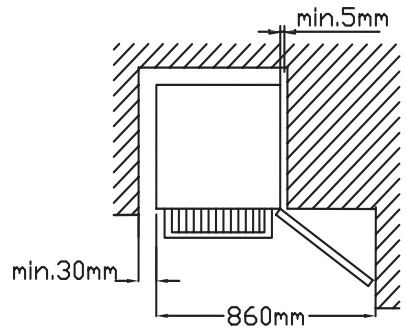


fig. 5

Afstandsstykkerne på skabets bagside sikrer den nødvendige luftcirkulation. Monter de to afdækninger som følger med skabet (se fig. 6)

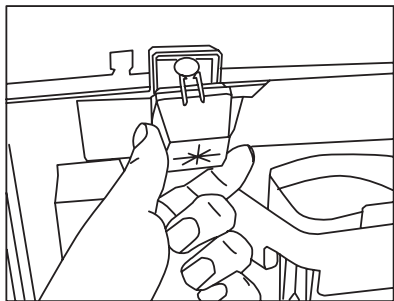


fig. 6

Max. 85 kg.

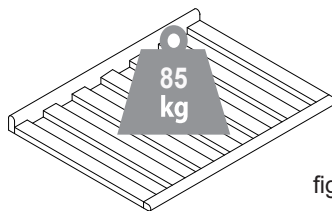


fig. 8

Opstilling

Det er vigtigt, at skabet står helt lige. Man kan justere skabet ved at dreje de stilbare fødder i front op eller ned (se figur 7). Kontroller med et vaterpas, at skabet står lige sideværts.

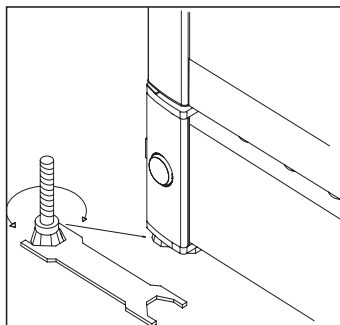


fig. 7

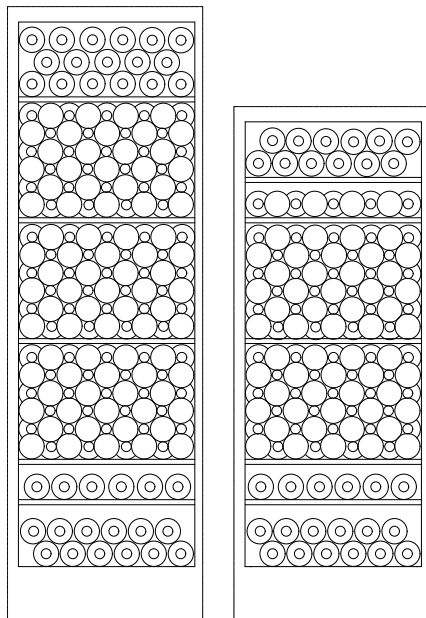


fig. 9

Betjening og funktion

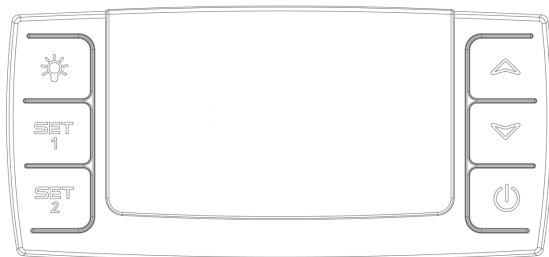


fig. 10

Elektronisk styring.

Den elektroniske styring sørger for at skabet holder de indstillede temperaturer i top og i bund af skabet. Dette opnås ved en avanceret styring af kølesystem, varmelegeme og ventilator.

Efter en evt strømafbrydelse huskes den indstillede temperatur.

Den elektroniske styring har følgende funktioner:

- Tænd / sluk knap
- Lyskontakt*
- Temperaturindstilling
- Temperatur angivelse
- Automatisk afrimning
- Døralarm
- Alarm ved for høj og for lav temperatur

* Lyset kan enten være tændt hele tiden eller kun når døren er åben.

Temperatur-udlæsning

Displayet viser den aktuelle temperatur. Tallet øverst i displayet angiver temperaturen i toppen af skabet og tallet nederst i displayet angiver temperaturen nederst i skabet.

Temperaturvisningen har et indbygget filter, som simulerer den aktuelle temperatur i flaskerne. Derfor reagerer udvisningen ikke på kortvarige variationer i lufttemperaturen.

Temperatur-indstilling.

Termostaten har børnesikring. Denne aktiveres ved at trykke "op og ned" knapperne samtidig. Efter ca 3 sek blinker "Pof" i displayet. Herefter vises de aktuelle temperaturer som normalt. Desuden kan man se de indstillede temperaturer ved at trykke hhv SET1 og SET2.

Børnesikringen annulleres ved at trykke "op og ned" knapperne samtidig. Efter ca 3 sek blinker "Pon" i displayet og temperaturen kan indstilles.

Temperaturindstilling i top.


Tryk på SET1. Herefter kan temperaturen i toppen af skabet reguleres op og ned med "op og ned" knapperne. Temperaturen kan reguleres fra 8 til 22 °C, dog således at temperaturen ikke kan stilles koldere end den aktuelle setpunkt for den nederste temperaturføler.

Temperaturindstilling nederst i skabet.

Tryk på SET2. Herefter kan temperaturen nederst i skabet reguleres op og ned med "op og ned" knapperne. Temperaturen kan reguleres fra 5 til 22 °C, dog således at temperaturen ikke kan stilles varmere end den aktuelle setpunkt for den øverste temperaturføler.

Alarmer.

Der er en underalarm for den kolde temperaturføler og en overalarm for den varme temperaturføler.

Alarmen består dels af en beeper og af en advarsel på displayet. 

Alarm for høj temperatur: beep lyd + display skift mellem **HtA** og aktuel temperatur.

Alarm for lav temperatur: beep lyd + display skift mellem **LtA** og aktuel temperatur.

Alarmtemperaturen afhænger af setpunkterne.

Beep-lyden kan annulleres ved et tryk på en tilfældig termostatknop.

For at fjerne display alarmer skal on/off knappen trykkes ind. Først for slukke alarmer. Derefter igen for genopstart af kompressor.

Døralarm

Når døren har været åbnet mere end 2 minutter aktiveres døralarmen.

Dørvending

Det anbefales at anvende en tekniker til en evt. dørvending af skabet.

Permanent belysning

For præsentation af Deres vin, kan De vælge at have lyset tændt permanent ved at trykke på lyssymbolet  to gange.

Hvis kontrolleren er indvendig tryk 2 gange, men hvis kontrolleren er udvendig i fodsparket, skal der kun trykkes en gang.

For at slukke for lyset, trykkes igen på .

Fler-zone indstilling for serverings-temperering.

Typisk indstilling for denne anvendelse er en top/bund indstilling på 16/6. Med denne indstilling vil temperaturerne fordele sig ned igennem skabet, til opbevaring af forskellige vintyper efter følgende fordeling, fra top mod bund:

- tunge rødvine +16 til +19 °C
- Rosé og lette rødvine +12 til +16 °C
- hvidvin +10 til +12 °C
- champagne og mousserende vine +6 til +8 °C

Enkelt-zone indstilling for langtidslagring.

For langtidsopbevaring af vine anbefales en top/bund indstilling på 12/12°C.

Med samme indstilling i top og bund vil kølesystemet skabe en jævn temperatur i hele skabet.

Dog vil omgivelsernes temperatur trænge langsomt ind gennem skabets dør og sider, og forårsage en lille temperaturforskel mellem top og bund. Skabet vil styre ind i bunden efter den indstillede temperatur, og afvigelsen vil derfor være i toppen.

Forskellen vil ligge mellem 0 – 3 °C, afhængig af omgivelsestemperaturen.

Frostsikringstermostaten

Apparatet er forsynet med en frostsikringstermostat, der overtager styringen og kører apparatet i sikkerhedstilstand i tilfælde af fejl. I sikkerhedstilstand vil skabet opretholde temperatur mellem 2 °C og 4 °C.

Afrimning, rengøring og vedligeholdelse

Automatisk afrimning af køleskabet.

Afrimning af køleskabet sker automatisk, smeltevandet løber gennem et rør ned til tøvandsskålen der sidder oven på kompressoren. Vandet fordamper på grund af varmen fra kompressoren. Tøvandsskålen bør gøres ren engang imellem.

Rengøring.

Før rengøring påbegyndes skal stikproppen fjernes fra stikkontakten. Skabet rengøres bedst med en opløsning af lunkent vand tilsat lidt opvaskemiddel (max. 65 °C). Anvend ikke rengøringsmidler der kan ride. Brug en blød klud. Vask efter med rent vand og tør grundigt af. Tøvandsren-

den, hvor kondensvandet fra fordamperen løber ned i, sidder i bunden af bagvæggen inde i skabet. Sørg for at den er ren. Brug et desinfektionsmiddel, som f.eks. rodalon, der skal dryppes i tøvands afløbet et par gange om året. Rens med en piberenser eller lignende.

Brug aldrig skarpe eller spidse genstande. Tætningslisten rundt ved døren kræver jævnlig rengøring for at undgå misfarvning og sikre lang holdbarhed. Brug rent vand.

Efter rengøring af dørens tætningsliste bør du kontrollere om den fortsat slutter tæt.

På rygkondensator, kompressoren og i kompressorrummet fjernes støvet bedst med en støvsuger.

Fejlfindingsliste

Fejl	Mulig årsag	Afhjælpning
Skabet virker ikke.	Skabet er slukket. Strømsvigt; sikringen er slået fra; netstikket er ikke sat rigtigt i.	Tryk på tænd/sluk knappen. Kontrollér om strømmen er tilsluttet. Sikringen skal være slået til.
Der løber vand i bunden af køleskabet.	Tøvandsafløbsrøret er tilstoppet.	Rens tøvandsrenden og afløbshullet i bagvæggen.
Vibrationer eller generende støj.	Skabet står skævt. Skabet hviler op mod andre køkkenelementer. Beholdere eller flasker berøre hinanden i skabet.	Indstil skabet med et vaterpas. Ryk skabet væk fra køkkenelementerne eller apparater, som står umiddelbart op ad skabet. Sørg for afstand mellem flasker og/eller beholdere.
Kompressor kører konstant.	Høj rumtemperatur.	Sørg for god ventilation.
Styringen viser P1	Topføleren er afbrudt eller kortsluttet	Tilkald service. Hele skabet styrer efter varmeste setpunkt, indtil fejlen er udbedret.
Styringen viser P2	Bundføleren er afbrudt eller kortsluttet.	Tilkald service. Hele skabet styrer efter varmeste setpunkt, indtil fejlen er udbedret.
Apparatet er for koldt.	Apparatet kører i sikkerhed tilstand.	Tilkald service.

Reklamation, reservedele og service

Reklamationsretten

Såfremt der konstateres fejl ved produktet, kan De over for leverandøren gøre brug af reklamationsretten ifølge gældende lovgivning. Producenten skal for egen regning afhjælpe fabrikations- og materialefejl, der konstateres ved apparatets normale brug under forudsætning af, at apparatet er købt som fabriksnyt i Danmark. For Grønland og Færøerne gælder særlige bestemmelser.

Såfremt det skønnes nødvendigt at apparatet indsendes til værksted, sker indsendelse og returnering for producentens regning og risiko.

Der er ikke dækning for fejl eller skader direkte eller indirekte opstået ved fejlbetjening, misbrug, mangelfuld vedligeholdelse, forkert indbygning, opstilling eller tilslutning. Det samme gælder for brand, ulykke, lynnedslag, spændingsvariationer eller andre elektriske forstyrrelser som f.eks. defekte sikringer eller fejl i forsyningsnettets elektriske installationer.

Reparationer udført af andre end de anviste reparatører, og i det hele taget fejl og skader, som leverandøren kan godtgøre skyldes andre årsager end fabrikations- og materialefejl, er ikke omfattet af reklamationsretten.

Vær opmærksom på, at ved indgreb i apparatets opbygning, og ved ændring af apparatets komponentbestykning bortfalder garanti og produktansvar og apparatet kan ikke lovligt anvendes. Godkendelse anført på mærkeskilt er ligeledes ugyldig.

Transportskader, der konstateres hos forbrugeren, er primært en sag mellem forbruger og forhandler, dvs. forhandler må drage

omsorg for, at forbrugeren stilles tilfreds, inden du tilkalder serviceassistance, bedes du kontrollere de fejlmuligheder, du selv kan afhjælpe. (Se brugsanvisningen)

Såfremt dit krav om afhjælpning er uberegtiget, eksempelvis hvis apparatets svigt skyldes en sprunget sikring eller en fejlbetjening, må du selv betale de omkostninger, der er forbundet med at have tilkaldt serviceassistance.

Reservedele

Angiv venligst type- og serienummer samt produkt nummer, når du bestiller reservedele.

Disse oplysninger finder du på typeskiltet. Typeskiltet indeholder forskellige tekniske oplysninger, samt type- og serienummer. Husk altid at bruge autoriserede håndværkere, hvis der er noget der skal repareres eller udskiftes!

The diagram shows a rectangular label with the following fields:

- Type... xxxx
- Serial No....xxxxxxx
- xxxx
- 0-xxxxxxxxxxxx
- Produkt nr.

An arrow points from the 'Produkt nr.' label to the '0-xxxxxxxxxxxx' field on the label. A small icon of a crossed-out hammer is located in the bottom right corner of the label.

Bortskaffelse

Brugerinformation om indsamling og bortskaffelse af elektriskrot og brugte batterier



Disse symboler på produkter, emballage og/eller ledsagedokumenter betyder, at brugte elektriske og elektroniske produkter og batterier ikke må smides ud som almindeligt husholdningsaffald. Sådanne gamle produkter og batterier skal indleveres til behandling, genvinding resp. recycling i henhold til gældende nationale bestemmelser samt direktiverne 2002/96/EF og 2006/66/EF.

Ved at bortskaffe sådanne produkter og batterier på korrekt vis hjælper du med til at beskytte værdifulde ressourcer og imødegå de negative påvirkninger af det menneskelige helbred og miljøet, som vil kunne være følgen af usagkyndig affaldsbehandling.

Ønsker du mere udførlig information om indsamling og recycling af gamle produkter og batterier, kan du henvende dig til din kommune, deponeringselskabet eller stedet, hvor du har købt produkterne.

Usagkyndig bortskaffelse af elektriskrot og batterier kan eventuelt udløse bødeforlæg.



For kommercielle brugere i Den Europæiske Union

Når du ønsker at kassere elektriske eller elektroniske apparater, bedes du henvende dig til din forhandler eller leverandør for nærmere information.

Information om bortskaffelse i lande uden for Den Europæiske Union

Disse symboler gælder kun inden for Den Europæiske Union. Hvis du ønsker at afhænde dette produkt, skal du rette henvendelse til de lokale myndigheder eller din forhandler. Her kan du få oplysninger om, hvordan du bedst kommer af med produktet.

Information om batterisymbol:



Dette symbol kan optræde sammen med et kemisk symbol. I så fald opfylder det kravene for det direktiv, som er blevet fastlagt for det pågældende kemikalie.

Avertissement

Puisque l'appareil contient un réfrigérant Inflammable, il est essentiel de s'assurer que les conduits du fluide réfrigérant ne sont pas endommagés.

La quantité et le type de réfrigérant utilisée dans votre appareil est indiquée sur la plaque signalétique.

La norme EN378 précise que la pièce dans laquelle vous installez votre appareil doit posséder un volume de 1 m³ par 8 g de réfrigérant avec des hydrocarbures utilisés dans l'appareil afin d'éviter la formation de mélanges gaz/air inflammable dans la pièce où l'appareil est installé dans le cas où il y aurait une fuite dans le circuit réfrigérant.

AVERTISSEMENT:

Gardez les orifices de ventilation, situés sur la carrosserie de l'appareil ou autour de l'appareil, libres de toute obstruction

AVERTISSEMENT:

Ne pas utiliser d'appareils mécaniques ou autres moyens pour

accélérer la décongélation sauf ce qui est recommandé par le fabricant.

AVERTISSEMENT:

Ne pas endommager le système de réfrigération.

AVERTISSEMENT:

Ne pas utiliser d'appareils électriques à l'intérieur du compartiment de stockage sauf s'ils sont recommandés par le fabricant.

AVERTISSEMENT:

L'appareil ne doit pas être exposé à la pluie.

AVERTISSEMENT:

L'utilisation de cet appareil par des personnes (y compris les enfants) présentant des capacités physiques, sensorielles ou psychiques restreintes, ou ne détenant pas les connaissances voulues, devra se dérouler sous surveillance ou après leur avoir fourni des instructions détaillées. L'appareil n'est pas un jouet, éloignez les enfants.

AVERTISSEMENT:

Gardez les orifices de Ne pas entreposer des explosifs, tels que les aérosols avec propulseurs inflammables dans l'appareil.

**AVERTISSEMENT:**

Gardez les orifices de Danger – risque d'incendie ou d'explosion si réfrigérant inflammable utilisé. L'appareil doit seulement être réparé par un personnel qualifié.

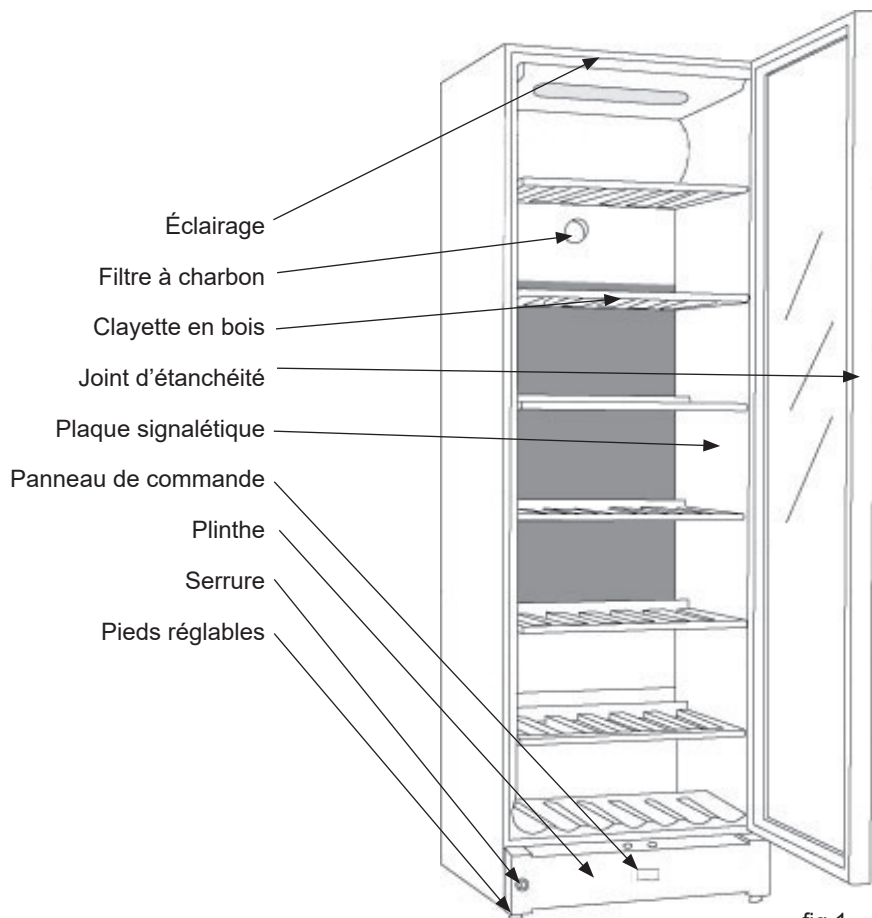
- Conserver les clés dans un endroit hors de portée des enfants.
- Avant de faire l'entretien ou le nettoyage de l'appareil, débranchez-le de son alimentation.
- Si le câble d'alimentation est endommagé, il doit être remplacé par le fabricant, des représentants ou des professionnels agréés afin d'éviter les dangers.
- La formation de givre sur les parois intérieures de l'évaporateur et les parties supérieures est un phénomène naturel et normal. Retirez le givre avec un chiffon sec.
- Prenez note que toute modification de l'appareil annulera toutes les garanties et la responsabilité du fabricant.
- Cet appareil est destiné uniquement au stockage du vin



Sommaire

Avertissement.....	2
Avant la mise en service	6
Économie d'énergie.....	6
Niveau sonore	6
Caracteristiques techniques.	7
Mise en service et installation.	7
Utilisation et fonctionnement.	10
Dégivrage, nettoyage et entretien.	12
Recherche de pannes éventuelles.	13
Garantie, et service	14
Mise au rebut.....	15

Pour apprendre à connaître votre cave à vin



Avant la mise en service

À réception, contrôler que l'appareil n'est pas endommagé. Les dommages dûs au transport doivent être notifiés à votre fournisseur avant toute utilisation de votre cave à vin .

Enlever l'emballage. Nettoyer l'intérieur de l'appareil à l'eau tiède additionné de produit à vaisselle non-agressif. Rincer à l'eau claire et essuyer à fond (voir chapitre nettoyage). Utiliser un chiffon doux.

Si pendant le transport, l'appareil a été couché ou s'il a été stocké dans un environnement froid (température inférieure à +5 °C), il doit être placé en position verticale et rester ainsi au moins une heure avant d'être mis en service.

Conseils pour réaliser des économies d'énergie:

- 1) Plus la température ambiante est basse, plus la consommation énergétique diminue.
- 2) Plus le thermostat est réglé sur une température élevée, plus la consommation énergétique diminue.
- 3) Moins la fréquence et la durée des ouvertures de porte est élevée, plus la consommation énergétique diminue.

Caracteristiques techniques

Le câblage et les raccordements électriques des systèmes d'alimentation électrique doivent respecter les normes électriques (locales et nationales) en vigueur. Consultez ces normes avant toute installation de l'appareil.

Ce dispositif est conforme aux directives de l'U.E. le concernant, y compris la Directive 2014/35/EU sur la Basse Tension et la Directive 2014/30/EU sur la Compatibilité Electromagnétique.

La prise de courant doit rester facilement accessible. Brancher la fiche mâle de l'appareil dans une prise secteur en 220/240 V / 50Hz églementairement reliée à la terre. La prise doit être protégée par un fusible/ disjoncteur supportant de 10 A - 13A fusible.

Sur les appareils destinés aux pays non européens, vérifiez si la tension de branchement et le type de courant spécifiés sur la plaque signalétique concordent bien avec ceux offerts par le secteur du pays concerné.

Les informations concernant la tension et la puissance absorbée / courant sont indiquées sur la plaque signalétique.

Si un changement de cordon d'alimentation électrique s'impose, cette opération est réservée à un spécialiste.

La plaque signalétique fournit diverses informations techniques ainsi que les numéros de type et de série.

N'utilisez en aucun cas des rallonges de câble.

Mise en service et installation

Pour des raisons de sécurité et de fonctionnement, l'appareil ne doit pas être placé à l'extérieur.

Placer l'appareil sur une surface plane et horizontale, dans un local sec et bien ventilé (max. 75 % d'hygrométrie relative). Ne jamais placer l'appareil près de sources de chaleur telles que cuisinières ou radiateurs, et éviter de le placer au rayonnement direct du soleil ou d'une autre source de chaleur.

Température ambiante

La classe climatique est indiquée sur la plaque signalétique. Elle indique dans quelle plage de température ambiante le réfrigérateur fonctionne de façon optimale. Les armoires à vin avec fonction hiver fonctionnent cependant jusqu'à une température ambiante de 5 °C.

Classe climatique	Température ambiante autorisée
SN	+10 °C á +32 °C
N	+16 °C á +32 °C
ST	+18 °C á +38 °C
T	+18 °C á +43 °C

Installation

La surface sur laquelle l'appareil est placé doit être plane et horizontale. Ne pas utiliser de cadre ou autre support.

L'appareil peut être installé comme unité indépendante le long d'un mur, être encastré dans un élément de cuisine, ou placé côte à côte avec d'autres appareils

Ventilation

Il est important que l'appareil soit bien ventilé et que l'air puisse circuler librement au-dessus, en dessous et autour de l'appareil. Les schémas ci-dessous illustrent la façon dont la circulation d'air peut être assurée

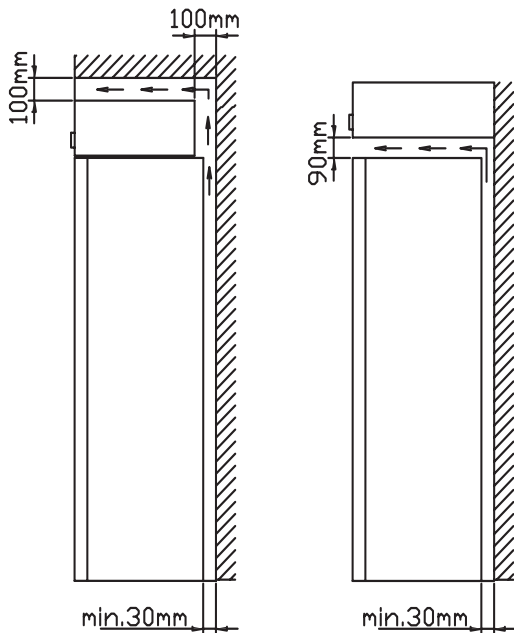


fig. 2

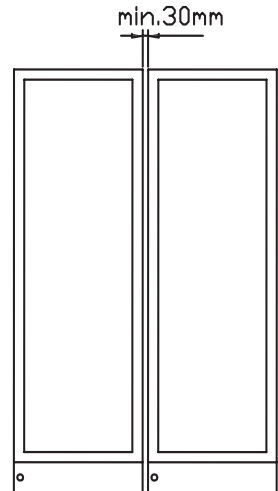


fig. 3

(fig 3)

Un kit "Side by Side" peut être commandé

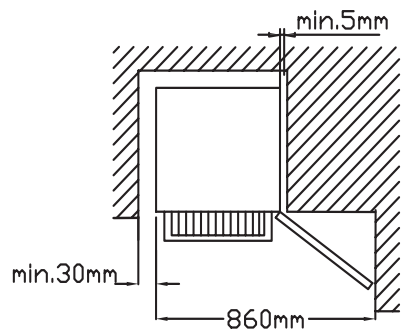


fig. 4

Les pièces intercalaires au dos de l'appareil sont là pour assurer la circulation d'air. Monter les deux caches livrés avec l'appareil (voir fig.5).

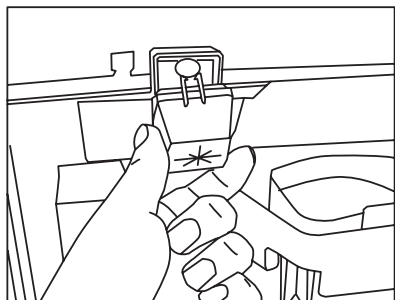


fig. 5

Max. 85 kg.

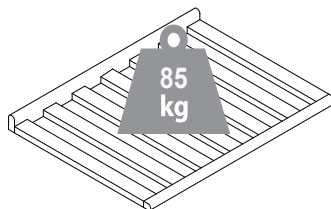


Fig. 7

Mise en place

Il est important que l'appareil soit placé sur une surface parfaitement plane. Pour ce faire, ajuster les pieds réglables de devant en les tournant pour lever ou baisser (fig. 6). Contrôler à l'aide d'un niveau que l'appareil est bien positionné.

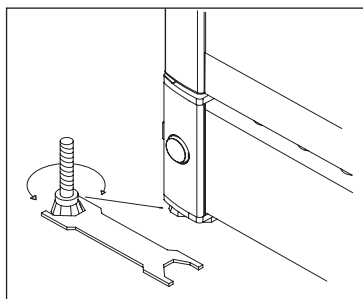


fig. 6

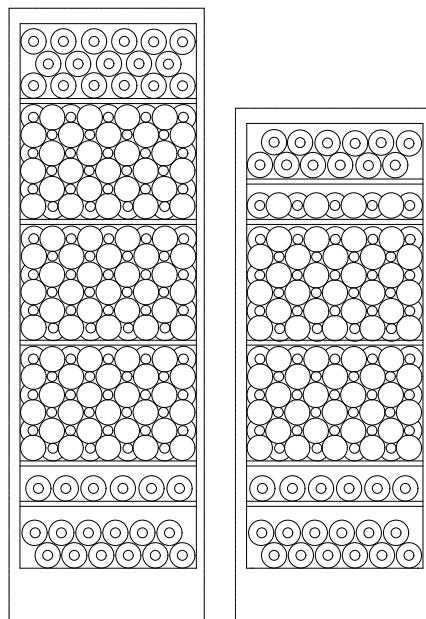


fig. 8

Utilisation et fonctionnement

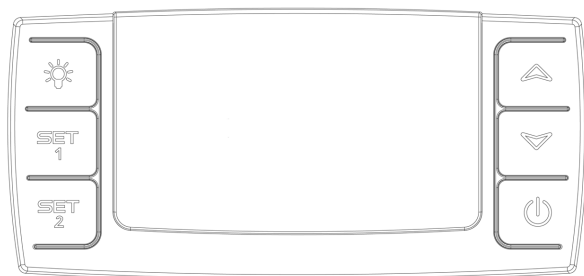


fig. 9

Commande électronique

La commande électronique assure le maintien des températures programmées dans les deux parties de l'appareil. Ceci grâce à un contrôle perfectionné du système de refroidissement, de l'élément chauffant et du ventilateur. Après une éventuelle panne de courant, l'appareil garde en mémoire la température programmée.

La commande électronique assure les fonctions suivantes :

- Interrupteur marche/arrêt
- Interrupteur d'éclairage*
- Réglage des températures
- Indication des températures
- Dégivrage automatique
- Alarme de porte
- Alarme en cas de température trop haute ou trop basse

* La lumière peut être allumée en permanence ou seulement lorsque la porte est ouverte.

Affichage des températures

L'écran affiche les températures des deux compartiments. Le chiffre du haut indique la température régnant dans le haut de l'appareil. Le chiffre du bas indique la température régnant dans la partie inférieure de l'appareil. L'indicateur de température est équipé d'un filtre intégré simulant la température régnant dans les bouteilles. C'est pourquoi l'indicateur ne réagit pas aux variations de courte durée de la température de l'air.

Réglage des températures

Le thermostat est équipé d'un dispositif de sécurité-enfant. Pour activer cette fonction, appuyer simultanément sur les touches « haut et bas ». Après 3 secondes environ, la mention « **Pof** » s'affiche en clignotant. Ensuite, l'écran retourne à l'indication normale des températures du moment. Il est possible de voir les températures programmées en appuyant respectivement sur SET 1 et SET2.

Pour désactiver le dispositif de sécurité-enfant, appuyer simultanément sur les touches « haut et bas ». Après 3 secondes environ, la mention « **Pon** » s'affiche en clignotant, et la température peut être réglée.

Réglage de la température dans le haut de l'appareil

Appuyer sur SET1. La température dans le haut de l'appareil peut alors être augmentée ou baissée au moyen des touches « haut et bas ». La température peut être ajustée entre 8 et 22 °C. Toutefois, elle ne peut être programmée en dessous du point de réglage réel du capteur placé dans le bas de l'appareil.

Réglage de la température dans le bas de l'appareil

Appuyer sur la touche SET2. La température dans le bas de l'appareil peut alors être augmentée ou baissée à l'aide des touches « haut et bas ». La température peut être ajustée entre 5 et 22 °C.

Dispositifs d'alarme

Il y a une « sous-alarme » pour le capteur basse température et une « sur-alarme » pour le capteur haute température. L'alarme se manifeste par un bip et un avertissement sur l'écran. (🔊)

Alarme pour haute température : Bip + message « **HtA** » sur l'écran alternant avec l'affichage de la température du moment.

Alarme pour basse température : bip + message « **LtA** » sur l'écran alternant avec l'affichage de la température du moment.

Il est possible de régler le seuil de température qui déclenchera l'alarme.

Le bip peut être annulé par une pression sur n'importe quelle touche du thermostat. Pour faire disparaître l'alarme de l'écran, appuyer sur la touche on/off, d'abord pour Vannuler l'alarme, ensuite pour remettre le compresseur en marche.

Eclairage permanent

Pour présenter votre vin, vous pouvez maintenir les lumières allumées en permanence. Appuyez deux fois sur l'image ✨ de l'interrupteur de lumière. Si le contrôleur est placé à l'intérieur de l'armoire, appuyez deux fois, s'il est placé sur la plaque coup de pied, appuyez seulement une fois. Pour éteindre l'allumage permanent, appuyez sur ✨ une autre fois.

La lumière restera toujours allumée quand la porte est ouverte.

Alarme de porte

Lorsque la porte a été ouverte pendant plus de 2 minutes, l'alarme de porte est activée.

Renversement de porte

Nous vous recommandons d'utiliser un technicien pour un renversement éventuel de porte.

Réglage multi-zone pour les températures de chambrage

Le réglage typique à cet usage est la combinaison haut/bas de 16/6. Ce réglage permettra une diffusion de la température jusqu'au bas de l'armoire pour la conservation de différents types de crus, de la façon suivante, en partant du haut:

- - vins rouges corsés +16 à +19 °C
- - vins rosés et rouges légers +12 à +16 °C
- - vins blancs +10 à +12 °C
- - champagnes et vins mousseux +6 à +8 °C

Il est recommandé de servir les vins à

quelques degrés en-dessous de la température souhaitée, le vin reprenant quelques degrés lorsqu'il est servi dans les verres.

Réglage zone unique pour conservation à long terme

Pour la conservation longue durée des vins, le réglage recommandé est de 12/12 °C. Un réglage identique dans le haut et dans le bas permettra au système réfrigérant d'assurer une température homogène dans la totalité de la cave à vin. Cependant, la température ambiante infiltrera lentement l'intérieur de la cave par la porte, causant une légère diffé-

rence de température entre le haut et le bas. La différence oscillera entre 0 et 3 °C, selon la température extérieure.

Le thermostat de protection contre le gel

L'appareil est équipé d'un thermostat de protection contre le gel qui prennent le contrôle et exécuter l'appareil en mode de sécurité en cas de dysfonctionnement. En mode de sécurité de l'armoire contiendra température entre 2 °C et 4 °C.

Dégivrage, nettoyage et entretien

Dégivrage automatique de la cave à vin

Le dégivrage de la cave à vin est automatique ; l'eau de dégivrage s'écoule par un tuyau et est recueillie dans un bac spécial placé au-dessus du compresseur. Elle s'évapore ensuite sous l'action de la chaleur dégagée par le compresseur. Nettoyer de temps à autre le bac de collecte de l'eau de dégivrage.

Nettoyage

Couper l'alimentation à l'aide du bouton marche-arrêt lorsque l'appareil doit être nettoyé. Il est préférable et plus efficace d'utiliser un mélange d'eau tiède et d'une faible quantité de liquide à vaisselle (max. 65 °C). Ne jamais utiliser de produits de nettoyage abrasifs. Utiliser un chiffon doux. Rincer à l'eau claire et bien essuyer. La goulotte

destinée à l'écoulement de l'eau de condensation de l'évaporateur se trouve en bas sur la paroi du fond à l'intérieur de l'appareil. S'assurer qu'elle reste toujours propre. Utiliser un produit désinfectant de type Rodalon : en faire couler quelques gouttes dans l'orifice d'écoulement deux-trois fois par an. Nettoyer ensuite avec un cure-pipe en coton ou équivalent. Ne jamais utiliser d'instrument pointu ou tranchant.

Le joint d'étanchéité de la porte nécessite un nettoyage régulier afin d'éviter qu'il ne se décolore et pour garantir sa longévité. Utiliser de l'eau claire. Après nettoyage du joint d'étanchéité de la porte, contrôler qu'il assure toujours l'étanchéité de l'appareil.

Enlever la poussière accumulée sur le condensateur, le compresseur et dans l'espace compresseur à l'aide d'un aspirateur.

Recherche de pannes éventuelles

Panne	Cause possible	Remède
L'appareil ne fonctionne pas	L'appareil est éteint. Panne de courant ; fusible grillé ou disjoncteur déclenché ; prise mal enfoncée.	Appuyer sur le bouton marche-arrêt. Contrôler l'alimentation électrique. Contrôler le fusible ou le disjoncteur.
De l'eau s'écoule dans le fond de la cave à vin .	L'orifice d'évacuation de l'eau de dégivrage est bouché.	Nettoyer la goulotte et l'orifice d'évacuation.
Vibrations et bruits gênants.	L'appareil n'est pas bien calé. L'appareil touche d'autres éléments de cuisine. Des récipients ou des bouteilles se touchent dans l'appareil.	Mettre l'appareil de niveau. Écarter l'appareil des éléments de cuisine ou des appareils qui sont proches de lui. Séparer les bouteilles ou les récipients qui s'entrechoquent.
Le compresseur tourne sans interruption.	Température ambiante élevée.	Assurer une bonne ventilation.
La commande affiche P1	La sonde du haut ne fonctionne plus ou a subi un court-circuitée	Contactez le service après-vente. Tout l'appareil est commandé d'après la valeur de consigne la plus chaude, jusqu'à la réparation.
La commande affiche P2	La sonde du bas ne fonctionne plus ou a été court-circuitée	Contactez le service après-vente. Tout l'appareil est commandé d'après la valeur de consigne la plus chaude, jusqu'à la réparation.
L'appareil est trop froid.	L'appareil fonctionne en mode de sécurité.	Contactez le service après-vente.

Garantie, pièces de rechange et service après-vente

Les pannes ou les dommages dûs directement ou indirectement à une utilisation incorrecte ou fautive, un entretien insuffisant, un encastrement, une mise en place ou un raccordement incorrect, un incendie, un accident, un impact de foudre, des variations de tension et tout autre dysfonctionnement électrique dû par exemple à des fusibles ou disjoncteurs défectueux, ou à des défauts du réseau d'alimentation électrique ne sont pas couverts par la garantie. Dans le cas de réparations effectuées par des personnes autres que les réparateurs agréés par le fournisseur, et en termes généraux l'ensemble des pannes et dommages dont le fournisseur peut prouver qu'ils sont dûs à d'autres causes que des erreurs ou défauts de fabrication et de matériaux, par conséquent, ne sont pas couverts par la garantie.

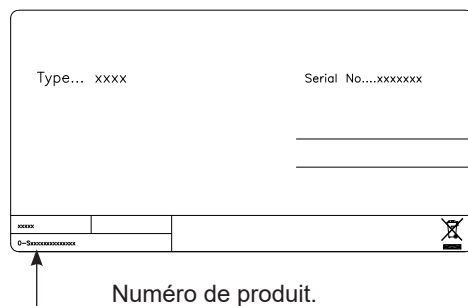
Veuillez noter que lorsqu'une intervention dans la construction ou une modification des composants de l'appareil a été faite, la garantie et la responsabilité du fournisseur cesse, et l'appareil ne peut pas être utilisé légitimement. L'autorisation figurant sur la plaque signalétique ne sera plus valable.

Les dommages dûs au transport et constatés chez le client sont à régler entre le client et le revendeur, ce qui signifie que ce-dernier doit s'assurer de la satisfaction du client.

Avant de faire appel au service après-vente, toujours contrôler les points énumérés dans la liste de recherche des pannes (voir ce point). Dans le cas où la cause de l'intervention demandée ressort de la responsabilité de la personne ayant fait appel au service après-vente, par exemple si la panne de l'appareil est due à un fusible grillé ou à une mauvaise utilisation, c'est cette personne qui devra régler les frais entraînés par cette intervention.

Pièces de rechange

Lors de la commande de pièces de rechange, indiquer le type, numéro de produit, le numéro de série et de production de l'appareil. Ces renseignements se trouvent sur la plaque signalétique au dos de l'appareil. La plaque signalétique renferme plusieurs informations techniques, dont les numéros de type et de série.



TOUJOURS faire appel à des services agréés en cas de réparation ou de remplacement !

Mise au rebut

Avis aux utilisateurs concernant la collecte et l'élimination des piles et des appareils électriques et électroniques usagés.



Apposé sur le produit lui-même, sur son emballage, ou figurant dans la documentation qui l'accompagne, ce pictogramme indique que les piles et appareils électriques et électroniques usagés doivent être séparés des ordures ménagères. Afin de permettre le traitement, la valorisation et le recyclage adéquats des piles et des appareils usagés, veuillez les porter à l'un des points de collecte prévus, conformément à la législation nationale en vigueur ainsi qu'aux directives 2002/96/CE et 2006/66/CE.

En éliminant piles et appareils usagés conformément à la réglementation en vigueur, vous contribuez à prévenir le gaspillage de ressources précieuses ainsi qu'à protéger la santé humaine et l'environnement contre les effets potentiellement nocifs d'une manipulation inappropriée des déchets.

Pour de plus amples renseignements sur la collecte et le recyclage des piles et appareils usagés, veuillez vous renseigner auprès de votre mairie, du service municipal d'enlèvement des déchets ou du point de vente où vous avez acheté les articles concernés.

Le non-respect de la réglementation relative à l'élimination des déchets



est passible d'une amende.

Pour les utilisateurs professionnels au sein de l'Union européenne

Si vous souhaitez vous défaire de pièces d'équipement électrique ou électronique, veuillez vous renseigner directement auprès de votre détaillant ou de votre fournisseur.

Information relative à l'élimination des déchets dans les pays extérieurs à l'Union européenne

Ce pictogramme n'est valide qu'à l'intérieur de l'Union européenne. Pour supprimer ce produit, contactez les autorités locales ou votre revendeur afin de connaître la procédure d'élimination à suivre.



Note relative au pictogramme à apposer sur les piles (voir les 2 exemples ci-contre)

Le pictogramme représentant une poubelle sur roues barrée d'une croix est conforme à la réglementation. Si ce pictogramme est combiné avec un symbole chimique, il remplit également les exigences posées par la Directive relative au produit chimique concerné.

Attenzione

Poiché l'apparecchio contiene una sostanza refrigerante infiammabile, è indispensabile assicurarsi che non si verifichino danni alle tubazioni del refrigerante.

La quantità e tipo di refrigerante utilizzata nel vostro apparecchio è indicata sulla targhetta dei dati tecnici

Lo standard EN378 stabilisce che il locale in cui verrà installato l'apparecchio deve avere un volume di almeno 1m³ per ogni 8 g di refrigerante a base di idrocarburi utilizzato negli apparecchi, in modo da prevenire la formazione di miscele infiammabili di gas ed aria nel locale in cui è collocato l'apparecchio in caso di perdite al circuito del refrigerante.

ATTENZIONE:
evitare l'ostruzione delle aperture per la ventilazione sull'involucro dell'apparecchio o sulla struttura interna.

ATTENZIONE:
non utilizzare attrezzature meccaniche o mezzi per accelerare il processo di sbrinamento diversi

da quelli raccomandati dal fabbricante.

ATTENZIONE:
non provocare danni al sistema del refrigerante.

ATTENZIONE:
non utilizzare apparecchiature elettriche all'interno dello scomparto frigorifero, a meno che siano di tipo omologato dal fabbricante.

ATTENZIONE:
evitare di esporre l'apparecchio alla pioggia.

ATTENZIONE:
questo apparecchio non è concepito per essere utilizzato da bambini o persone inabili, a meno che siano adeguatamente sorvegliati da una persona responsabile che si assicuri che siano in grado di utilizzare l'apparecchio senza pericoli. Sorvegliare i bambini piccoli in modo da assicurarsi che non giochino con l'apparecchio.

ATTENZIONE:
pericolo di incendio o di esplo-

sione se si utilizzano refrigerante infiammabile. Per essere riparato solo da personale qualificato.

ATTENZIONE:

non conservare sostanze esplosive, come bombolette spray con propellenti infiammabili nell'unità.



- Tenere sempre le chiavi in un luogo diverso e fuori dalla portata dei bambini.
- Prima di sottoporre l'apparecchio ad operazioni di manutenzione o di pulizia, togliere la spina dalla presa di corrente o staccare l'alimentazione elettrica.
- In caso di danni al cordone di alimentazione, la sostituzione di quest'ultimo deve sempre essere effettuata dal fabbricante, da un suo addetto alla manutenzione o da simile personale qualificato onde evitare situazioni di pericolo.

- La formazione di brina sulle parti superiori e sulla parete interna dell'evaporatore è un fenomeno naturale, e pertanto si raccomanda di sbrinare l'apparecchio durante le normali operazioni di pulizia e di manutenzione.
- Apparecchio destinato esclusivamente alla conservazione di vino

CLASS 1 LED PRODUCT



Indice

Attenzione.....	2
Impari a conoscere il Suo frigorifero per vini.....	5
Prima dell'uso.....	6
Risparmi nel consumo di energia durante l'uso.....	6
Dati tecnici.....	6
Installazione e messa in funzione.....	7
Installation.....	8
Gestione e funzionamento.....	11
Sbrinamento, pulizia e manutenzione.....	12
Ricerca guasti.....	13
Garanzia, parti di ricambio e assistenza...	14
Smaltimento.....	15

Impari a conoscere il Suo frigorifero per vini

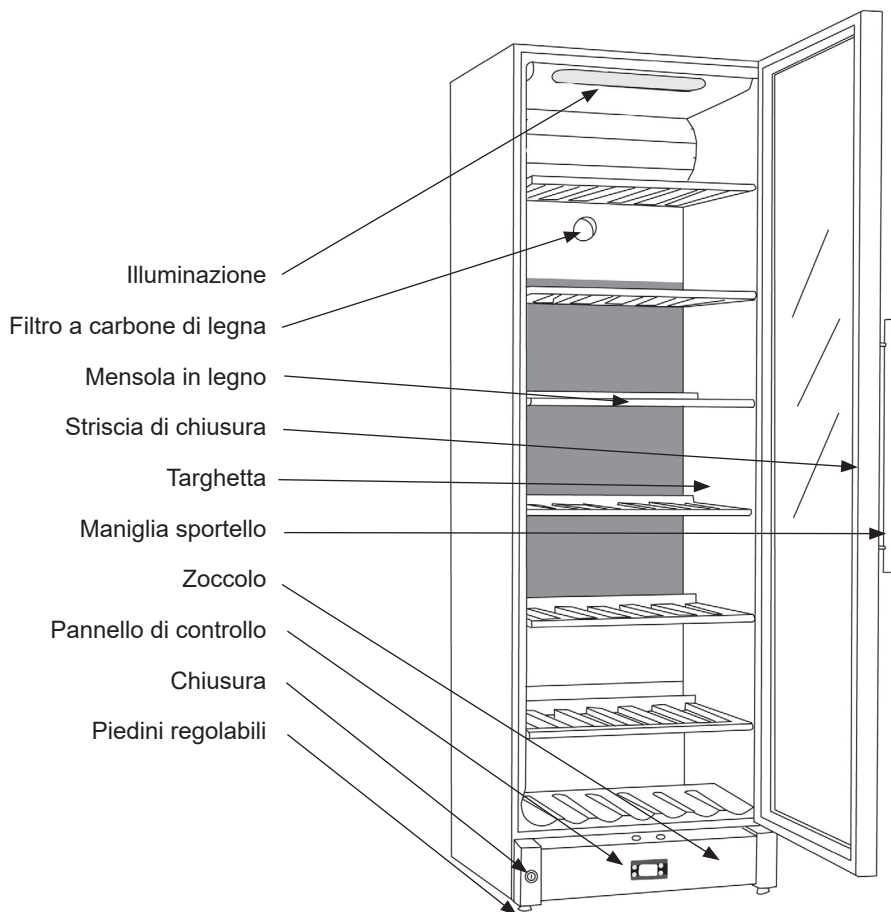


fig.1

Prima dell'uso

Al momento del ricevimento, controlli che l'apparecchio non abbia subito danni durante il trasporto. Qualsiasi danno dovuto al trasporto dev'essere comunicato al distributore locale prima che il frigorifero per vini venga messo in funzione.

Asportazione dell'imballaggio. Pulire l'interno dell'armadio servendosi di acqua calda con un detergente delicato. Sciacquare con acqua pulita ed asciugare completamente (vedi istruzioni per la pulizia). Usare un panno morbido.

Se durante il trasporto l'apparecchio è stato tenuto in posizione coricata, o se è stato lasciato in ambienti freddi (temperature inferiori a +5°C), prima di essere messo in funzione esso dovrà essere lasciato in posizione eretta per almeno un'ora per permettere che si stabilizzi.

Risparmi nel consumo di energia durante l'uso

Il consumo di energia diminuisce:

- 1) Quanto minore è la temperatura ambiente.
- 2) Quanto maggiore è la temperatura d'impostazione del termostato.
- 3) Quanto meno spesso vengono aperte le porte, e quanto più corto è il tempo in cui vengono tenute aperte.

Dati tecnici

Questo apparecchio è conforme alle pertinenti direttive UE, ivi comprese la Direttiva Bassa Tensione 2014/35/EU e la Direttiva 2014/30/EU relativa alla compatibilità elettromagnetica

La targhetta fissata all'interno dell'apparecchio, fornisce diverse informazioni tecniche nonché tipo e numero di serie.

Collegare l'apparecchio solo a corrente alternata a 220/240 V / 50Hz, tramite una presa installata a norma.

L'impresa deve essere protetta con dispositivo di sicurezza di 10A -13A

La presa per il collegamento dell'apparecchio deve essere liberamente accessibile.

Per gli apparecchi destinati all'uso in paesi non europei, è necessario se la tensione ed il tipo di corrente indicati corrispondono ai valori delle rete elettrica locale

Dati per la tensione e potenza / corrente, sono indicati sulla targhetta di identificazione.

In caso di danni al cordone di alimentazione, la sostituzione di quest'ultimo deve sempre essere effettuata dal fabbricante, da un suo addetto alla manutenzione o da simile personale qualificato onde evitare situazioni di pericolo.

Queste informazioni sono riportate sulla targhetta all'interno dell'armadio. La targhetta contiene diverse informazioni di carattere tecnico, ivi compresi i numeri di tipo e di serie.

Installazione e messa in funzione

Collocazione

Per motivi di sicurezza e di funzionamento, l'apparecchio non deve essere installato in esterni.

L'apparecchio deve essere collocato su una superficie livellata in un locale secco e ben ventilato (max. 75% di umidità relativa). Non collocare mai l'apparecchio vicino a fonti di calore quali fornelli o caloriferi, ed evitare di esporlo alla luce diretta del sole.

Temperatura ambiente

La classificazione climatica è indicata sulla targhetta, che specifica la temperatura ambiente.. I frigoriferi per vini dotati di posizione invernale, tuttavia, possono funzionare a temperatura ambiente più basse, fino a 5°C.

Classe climatica	Temperatura ottimale della camera
SN	+10°C fino a +32°C
N	+16°C fino a +32°C
ST	+18°C fino a +38°C
T	+18°C fino a +43°C

Installazione

La superficie su cui va collocato l'apparecchio deve essere livellata. Non utilizzare intelaiature o simili.

L'apparecchio può essere installato come unità a se stante contro una parete, incorporato nell'elemento di una cucina, o allineato con altri apparecchi.

Installation

È importante che l'apparecchio sia perfettamente livellato. L'apparecchio può essere livellato avvitando o svitando i piedini regolabili sulla parte frontale dell'apparecchio stesso

Utilizzare una livella a bolla per accertarsi che l'apparecchio sia perfettamente livellato in senso laterale.

Ventilazione

È importante che l'apparecchio sia ben ventilato e che l'aria possa liberamente circolare sopra, sotto e attorno all'apparecchio stesso. Le sottostanti figure mostrano come assicurare la circolazione dell'aria attorno all'apparecchio

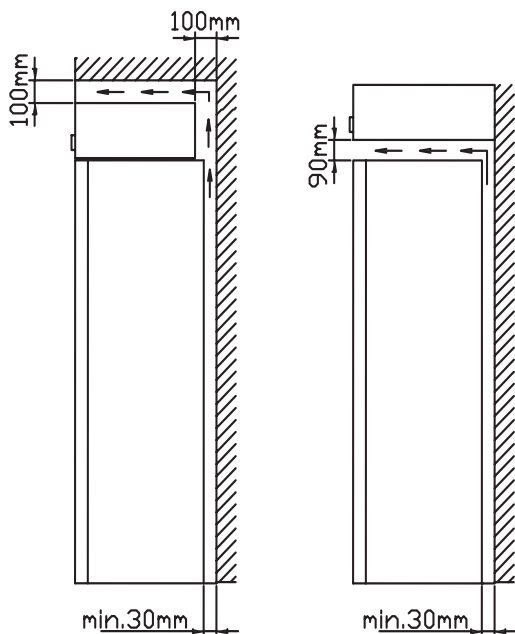


fig. 2

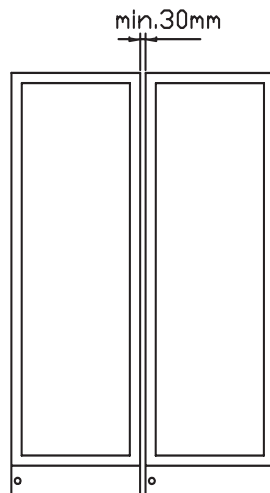


fig. 3

(fig 3)
Un kit "Side by Side" può essere ordinato

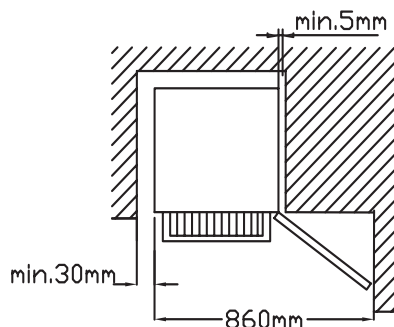


fig. 4

I distanziatori sul retro dell'apparecchio assicurano una circolazione dell'aria sufficiente. Montare i due cappucci forniti assieme all'apparecchio come mostrato in fig. 5. (Due diversi modelli)

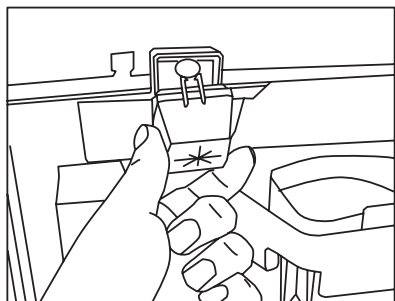


fig. 5

Max. 85 kg.

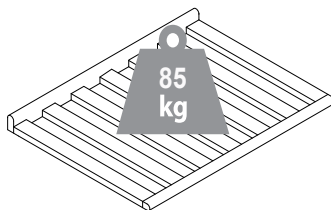


Fig. 7

Collocazione dell'apparecchio

È importante che l'apparecchio sia perfettamente livellato. L'apparecchio può essere livellato avvitando o svitando i piedini regolabili sulla parte frontale dell'apparecchio stesso.

Utilizzare una livella a bolla per accertarsi che l'apparecchio sia perfettamente livellato in senso laterale.

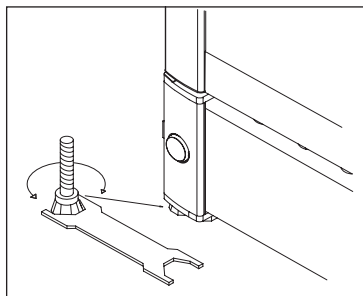


fig. 6

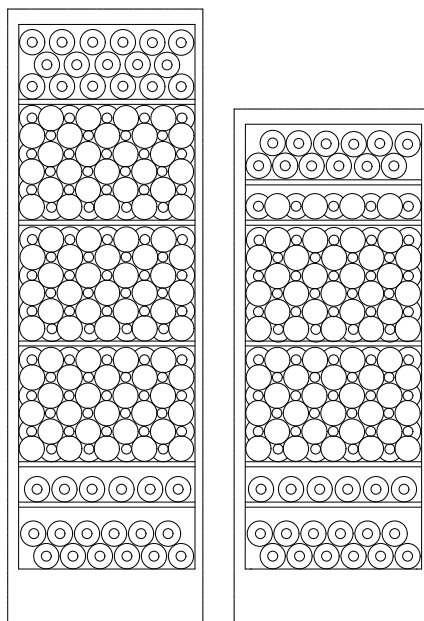


fig. 8

Gestione e funzionamento

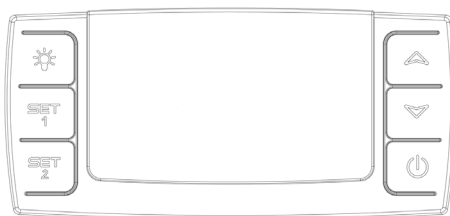


fig. 9

Controllo elettronico

Il controllo elettronico assicura il mantenimento delle temperature impostate, sia nella parte alta che sul fondo dell'apparecchio. Ciò si ottiene mediante un avanzato sistema di controllo della refrigerazione, l'elemento riscaldante e il ventilatore. In caso di un'eventuale interruzione della corrente, il sistema si "ricorderà" la temperatura impostata.

Le funzioni del controllo elettronico sono le seguenti:

- Interruttore acceso/spento (on/off)
- Interruttore lampada*
- Impostazione della temperatura
- Indicazione della temperatura
- Sbrinamento automatico
- Allarme in caso di temperatura troppo alta o troppo bassa
- Porta di allarme

* La lampada può essere sempre accesa, oppure solo quando viene aperto lo sportello.

Indicazione della temperatura

Il display indica la temperatura attuale. Sul display, le cifre in alto indicano la temperatura sulla parte superiore dell'apparecchio, mentre le cifre in basso indicano la temperatura sul fondo dell'apparecchio. L'indico-

re di temperatura è munito di filtro incorporato che simula la temperatura effettiva nelle bottiglie. Di conseguenza l'indicatore non verrà influenzato da fluttuazioni di breve durata della temperatura dell'aria.

Impostazione della temperatura

Il termostato è munito di un dispositivo di blocco per prevenirne l'attivazione da parte dei bambini. Il dispositivo si attiva premendo contemporaneamente i pulsanti "su e giù". Dopo circa 3 secondi lampeggerà sul display la scritta "Pof". Quindi verranno visualizzate le temperature attuali come di consueto. Le temperature si possono inoltre visualizzare premendo rispettivamente i pulsanti SET1 e SET2.

Per cancellare il blocco dell'attivazione, premere contemporaneamente i pulsanti "su e giù". Dopo circa 3 secondi lampeggerà sul display la scritta "Pon" e potrà essere impostata la temperatura.

Impostazione della temperatura nella parte alta dell'apparecchio

Premere SET1. Impostare quindi la temperatura nella parte alta dell'apparecchio aumentandola o diminuendola mediante i pulsanti "su e giù". La temperatura può essere regolata da 8 a 22°C, ma non può in

ogni caso essere impostata a valori inferiori al reale set point del sensore della temperatura sul fondo.

Impostazione della temperatura sul fondo dell'apparecchio

Premere SET2. Impostare quindi la temperatura sul fondo dell'apparecchio aumentandola o diminuendola mediante i pulsanti "su e giù". La temperatura può essere regolata da 5 a 22°C, ma non può in ogni caso essere impostata a valori superiori al reale set point del sensore della temperatura nella parte alta.

Dispositivi di allarme

Sono previsti un allarme basso per il sensore della temperatura bassa ed un allarme alto per il sensore della temperatura alta.

L'allarme consiste di un segnale acustico e di un avvertimento sul display. (🔊)

Allarme temperatura alta: segnale acustico + visualizzazione alternata di "HtA" e della temperatura attuale

Allarme temperatura bassa: segnale acustico + visualizzazione alternata di "LtA" e della temperatura attuale

La temperatura di allarme dipende dai set point.

Il segnale acustico può essere cancellato premendo un qualsiasi pulsante del termostato. Premere il pulsante on/off per cancellare l'allarme sul display: una prima volta per annullare l'allarme e quindi una seconda volta per riavviare il compressore.

Porta di allarme

Se la porta è aperta più di due minuti attivato allarme porta

Porta reversibile

"Si raccomanda di ricorrere ad un tecnico per invertire il senso di apertura del frigorifero"

Illuminazione permanente

Per la presentazione del vostro vino, potete tenere accese le luci in modo permanente. Premere due volte l'immagine dell'interruttore ✨. Se il dispositivo di controllo è posto all'interno della vetrina, premere due volte, se il dispositivo di controllo è posto nello zoccolo premere solo una volta. Per spegnere la luce permanente, premere nuovamente ✨.

La luce sarà sempre accesa quando lo sportello è aperto.

Allarme temperatura bassa

Se la temperatura scende al di sotto di 2°C per più di un'ora, il display lampeggia e vengono alternativamente mostrate Lo/actual temperature. Il vino non può stagionare correttamente a temperature sotto zero.

Impostazione a due zone per la temperatura di degustazione

Le impostazioni tipiche per la zona superiore e quella inferiore sono rispettivamente di 16°C e di 6°C. Con queste impostazioni, nell'armadio è possibile ottenere un gradiente di temperatura adatto alla conservazione di diversi tipi di vino ripartiti in questo modo dall'alto verso il basso:

- vini rossi forti: da +16 a +19°C
- vini rosati e rossi leggeri: da +12 a +16°C
- vini bianchi: da +10 a +12°C
- champagne e spumanti: da +6 a +8°C

Si raccomanda di servire il vino a una temperatura un paio di gradi inferiore alla temperatura di degustazione desiderata, in quanto il vino si riscalda leggermente quando viene versato nel bicchiere.

Impostazione a zona singola per conservazione a lungo termine

Per una conservazione a lungo termine, la zona superiore e quella inferiore vanno entrambe impostate a 12°C. Con impostazioni identiche per la zona superiore e quella inferiore, i controlli manterranno una temperatura uniforme in tutto l'armadio. La temperatura del locale, tuttavia, influenzerà gradualmente la temperatura nell'armadio attraverso lo sportello e i fianchi, creando un leggero gradiente di temperatura dall'alto verso il basso. I controlli manterranno la temperatura impostata sul fondo dell'armadio, e pertanto le deviazioni dall'imposta-

Sbrinamento, pulizia e manutenzione

Sbrinamento automatico

Il frigorifero per vini viene sbrinato automaticamente. L'acqua di sbrinamento scorre attraverso un tubo e si raccoglie in una vaschetta sopra al compressore, dove il calore generato da quest'ultimo la fa evaporare. La vaschetta dell'acqua di sbrinamento deve essere pulita ad intervalli.

Pulizia.

Prima di pulire l'apparecchio, scollegarlo dalla rete elettrica. Il miglior modo per pulire l'armadio è quello di utilizzare acqua calda (max. 65 °C) con un po' di detergente delicato. Non utilizzare mai prodotti detergenti abrasivi. Usare un panno morbido. Sciacquare con acqua calda ed asciugare completamente. Il canale dell'acqua di sbrinamento, nel quale scorre la conden-

zione si verificheranno sempre nella parte superiore.

La differenza varierà da 0 a 3°C a seconda della temperatura ambiente.

Il termostato antigelo

L'apparecchio è dotato di un termostato antigelo che prendono il controllo ed eseguire l'apparecchio in modalità di sicurezza in caso di malfunzionamento. Nella modalità di sicurezza del mobile conterrà temperatura tra 2 °C e 4 °C.

sa dall'evaporatore, è collocato sul fondo della parete posteriore interna dell'armadio e deve essere tenuto pulito. Aggiungere qualche goccia di disinfettante, ad esempio Rodalon, al canale di deflusso dell'acqua di sbrinamento, e pulire il canale utilizzando uno scovolino o simili. Non utilizzare mai utensili taglienti o appuntiti.

La striscia di tenuta attorno allo sportello dev'essere pulita con regolarità per prevenire lo scolorimento e prolungare la vita di servizio.

Usare acqua pulita. Dopo aver pulito la striscia di chiusura, controllare che continui a mantenere una tenuta sicura. Per meglio asportare la polvere che si raccoglie sul condensatore nella parte posteriore dell'armadio, sul compressore e sullo scomparto di quest'ultimo, utilizzare un aspirapolvere.

Ricerca guasti

Guasto	Possibile causa	Rimedio
L'apparecchio non dà segno di vita!	L'apparecchio è spento. Mancanza di elettricità; il fusibile è bruciato; l'apparecchio non è ben collegato alla presa di corrente.	Premere l'interruttore acceso/spento. Accertarsi che vi sia elettricità. Ripristinare il fusibile.
Si raccoglie acqua sul fondo dell'armadio.	Il tubo dell'acqua di sbrinamento è ostruito.	Pulire il canale dell'acqua di sbrinamento e il foro di deflusso sulla parete posteriore dell'armadio.
Vibrazioni o rumori fastidiosi.	L'apparecchio non è livellato. L'apparecchio è appoggiato ad altri elementi della cucina. I contenitori o le bottiglie all'interno dell'armadio si toccano l'un l'altro.	Livellare l'apparecchio servendosi di una livella a bolla. Allontanare l'apparecchio dagli elementi della cucina o dagli elettrodomestici con cui è in contatto. Allontanare i contenitori e/o le bottiglie una dall'altra.
Il compressore funziona continuamente.	Temperatura ambiente elevata.	Assicurare una ventilazione adeguata.
Il display visualizza "P1".	Il sensore superiore è staccato o in cortocircuito.	Richiedere assistenza. La temperatura all'interno dell'intero armadio viene mantenuta al più alto dei due punti di impostazione fino a quando il guasto viene riparato.
Il display visualizza "P2".	Il sensore inferiore è staccato o in cortocircuito.	Richiedere assistenza. La temperatura all'interno dell'intero armadio viene mantenuta al più alto dei due punti di impostazione fino a quando il guasto viene riparato.
L'apparecchio è troppo freddo.	L'apparecchio funziona in modalità di sicurezza.	Richiedere assistenza.

Garanzia, parti di ricambio e assistenza

Limitazioni della garanzia

Difetti e danni direttamente o indirettamente provocati da una gestione non corretta, usi impropri, manutenzione insufficiente, montaggio, installazione o connessioni principali non corretti, fuoco, incidenti, fulmini, variazioni di tensione o altre interferenze di natura elettrica, ivi compresi fusibili difettosi o guasti nelle installazioni principali, riparazioni eseguite da persone che non siano i tecnici dei centri di servizio omologati, nonché qualsiasi altro guasto e danno che il fabbricante possa comprovare sia dovuto a cause diverse da difetti di fabbricazione o di materiale, non sono coperti dalla garanzia.

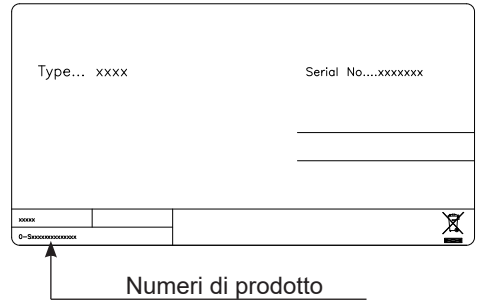
Si tenga presente che in caso di manomissioni nella struttura dell'apparecchio o di modifiche alla componentistica dello stesso, la garanzia e la responsabilità per danno dai prodotti decadono, e l'apparecchio non può essere utilizzato nel rispetto delle leggi. Allo stesso modo, l'omologazione indicata sulla targhetta risulterà invalidata.

I danni dovuti al trasporto scoperti dall'acquirente sono principalmente una questione che va risolta tra l'acquirente ed il distributore, vale a dire che il distributore deve assicurare che tali reclami vengano risolti in modo soddisfacente per il cliente.

Prima di richiedere l'assistenza tecnica, Vi invitiamo a controllare se non siate in grado di risolvere il problema Voi stessi (vedi: Ricerca guasti). Facciamo presente che in caso di richieste di assistenza ingiustificate, ad esempio se l'apparecchio non funziona a causa di un fusibile bruciato o una gestione non corretta, i costi dovuti alla Sua chiamata Le verranno addebitati.

Parti di ricambio

Quando si devono ordinare delle parti di ricambio, indicare i numeri di prodotto e il tipo, di serie e di produzione del Suo apparecchio. Queste informazioni sono riportate sulla targhetta all'interno dell'armadio. La targhetta contiene diverse informazioni di carattere tecnico, ivi compresi i numeri di tipo e di serie.



Nota: Quando il Suo apparecchio dev'essere riparato o sostituito, si rivolga sempre a centri di assistenza autorizzati!

Smaltimento

Informazioni per gli utenti sulla raccolta e l'eliminazione di vecchie apparecchiature e batterie usate.



Questi simboli sui prodotti, sull'imballaggio, e/o sulle documentazioni o manuali accompagnanti i prodotti indicano che i prodotti elettrici, elettronici e le batterie usate non devono essere buttati nei rifiuti domestici generici. Per un trattamento adeguato, recupero e riciclaggio di vecchi prodotti e batterie usate, vi preghiamo di portarli negli appositi punti di raccolta, secondo la legislazione vigente nel vostro Paese e le Direttive 2002/96/EC e 2006/66/EC.

Smaltendo correttamente questi prodotti e le batterie, contribuirete a salvare importanti risorse e ad evitare i potenziali effetti negativi sulla salute umana e sull'ambiente che altrimenti potrebbero verificarsi in seguito ad un trattamento inappropriato dei rifiuti.

Per ulteriori informazioni sulla raccolta e sul riciclaggio di vecchi prodotti e batterie, vi preghiamo di contattare il vostro comune, i vostri operatori per lo smaltimento dei rifiuti o il punto vendita dove avete acquistato gli articoli.

Sono previste e potrebbero essere applicate sanzioni qualora questi rifiuti non siano stati smaltiti in modo corretto ed in accordo con la legislazione nazionale.



Per utenti commerciali nell'Unione Europea

Se desiderate eliminare apparecchiature elettriche ed elettroniche, vi preghiamo di contattare il vostro commerciante od il fornitore per maggiori informazioni.

Informazioni sullo smaltimento rifiuti in altri Paesi fuori dall'Unione Europea

Questi simboli sono validi solo all'interno dell'Unione Europea. Qualora si desideri smaltire questo prodotto, contattare le autorità locali o il rivenditore e chiedere informazioni sul metodo corretto di smaltimento.



Nota per il simbolo delle batterie:

Questo simbolo può essere usato in combinazione con un simbolo chimico; in questo caso è conforme ai requisiti indicati dalla Direttiva per il prodotto chimico in questione.

GB Reserving the right to alter specifications without prior notice.

DE Recht auf Änderungen vorbehalten.

DK Ret til ændringer forbeholdes.

FR Nous nous réservons le droit d'apporter toutes modifications à nos produits

IT Si riserva il diritto di modificare le specifiche