

## Ersatzteilliste-Explosionszeichnung Umluft-Gewerbekühlschrank **KU 1402 G Comfort**

[Art. 402729501]



**Thermoregulator**  
 -2/0°C - 2M - full door

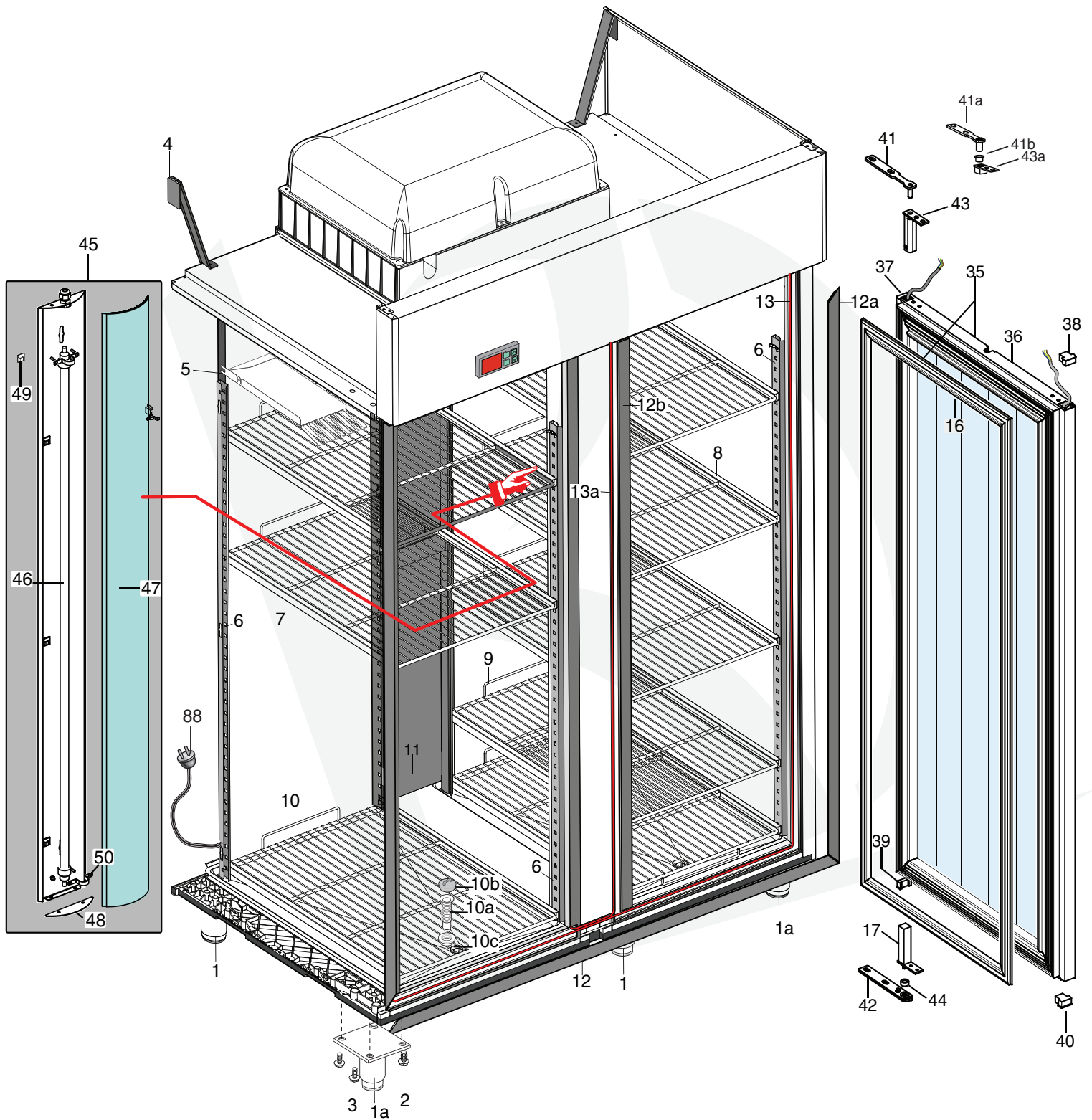
# CABINETS MASS/GAB

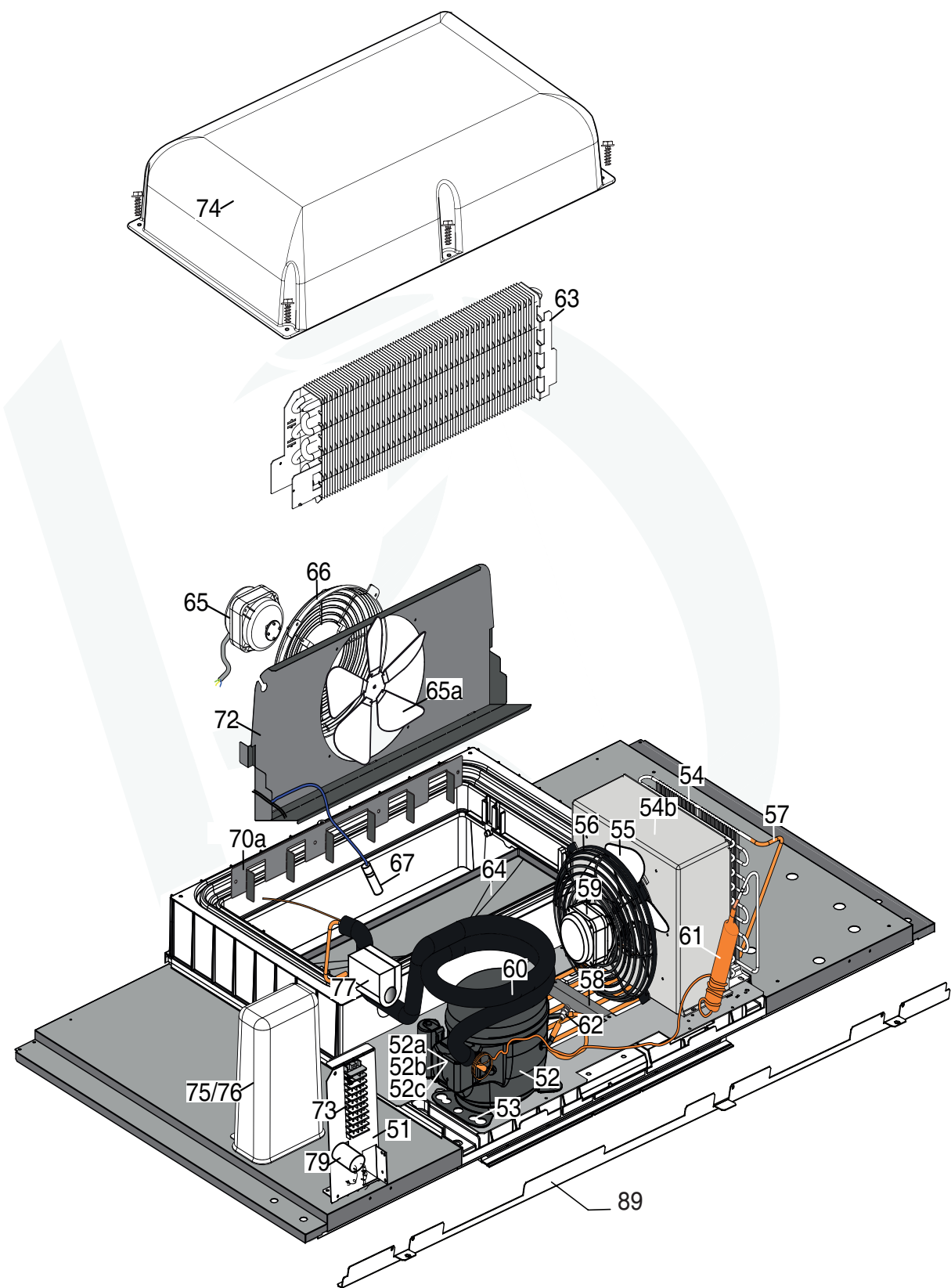
PNC	En.Ch	Model	Brand	Ref	Page
110564	00/00	2-GL.DR REF 1430L +2+10°,DIG,S/S(R290)	Zanussi	a	2, 3, 4
110565	00/00	2-GL.DOOR REFR 1430L 2/10°C, DIG(R290)	Zanussi	b	2, 3, 4
110821	00/00	2-GL.DR REF 1430L +2+10°,DIG,S/S(R290)	Zanussi	i	2, 3, 4
110822	00/00	2-GLASS DOOR REFR. 1430L +2+10°C,DIGITAL, Gab-R290	Zanussi	l	2, 3, 4
110841	01/01	2-GLASS DOOR REFRIG 1430L +2+10°C, DIGITAL, S/S-R290	Zanussi	r	2, 3, 4
110851	01/01	2-GLASS DOOR REFR. 1430L +2+10°C,DIGITAL, Gab-R290	Zanussi	q	2, 3, 4
727777	01/01	2-GL.DR REF 1430L +2+10°,DIG,S/S(R290)	Electrolux	c	2, 3, 4
727778	01/01	2-GL.DOOR REFR 1430L 2/10°C, DIG(R290)	Electrolux	d	2, 3, 4
727883	00/00	2-GLASS DOOR REFRIG 1430L +2+10°C, DIG. S/S-R290	Electrolux	m	2, 3, 4
727884	00/00	2-GLASS DOOR REFRIG 1430L +2+10°C, DIG.-R290	Electrolux	n	2, 3, 4
727954	01/01	2-GLASS DOOR REFRIG 1430L +2+10°C, DIGITAL-R290	Electrolux	k	2, 3, 4
727956	01/01	2-GLASS DOOR REFRIG 1430L +2+10°C, DIGITAL, S/S-R290	Electrolux	j	2, 3, 4
729450	00/00	2-GL.DR REF 1430L +2+10°,DIG,S/S(R290)	Alpen	e	2, 3, 4
729451	00/00	2-GL.DOOR REFR 1430L 2/10°C, DIG(R290)	Alpen	f	2, 3, 4
729452	00/00	2-GL.DR REF 1430L +2+10°,DIG,S/S(R290)	To brand	g	2, 3, 4
729453	00/00	2-GL.DOOR REFR 1430L 2/10°C, DIG(R290)	To brand	h	2, 3, 4
729490	00/00	2-GL.DR REF 1430L +2+10°,DIG,S/S(R290)	Alpen	o	2, 3, 4
729491	00/00	2-GL.DOOR REFR 1430L 2/10°C, DIG(R290)	Alpen	p	2, 3, 4
729501	01/01	2-GLASS DOOR REFRIG 1430L +2+10°C, DIGITAL-R290	Alpen	s	2, 3, 4
729503	01/01	2-GLASS DOOR REFRIG 1430L +2+10°C, DIGITAL S/S-R290	Alpen	t	2, 3, 4

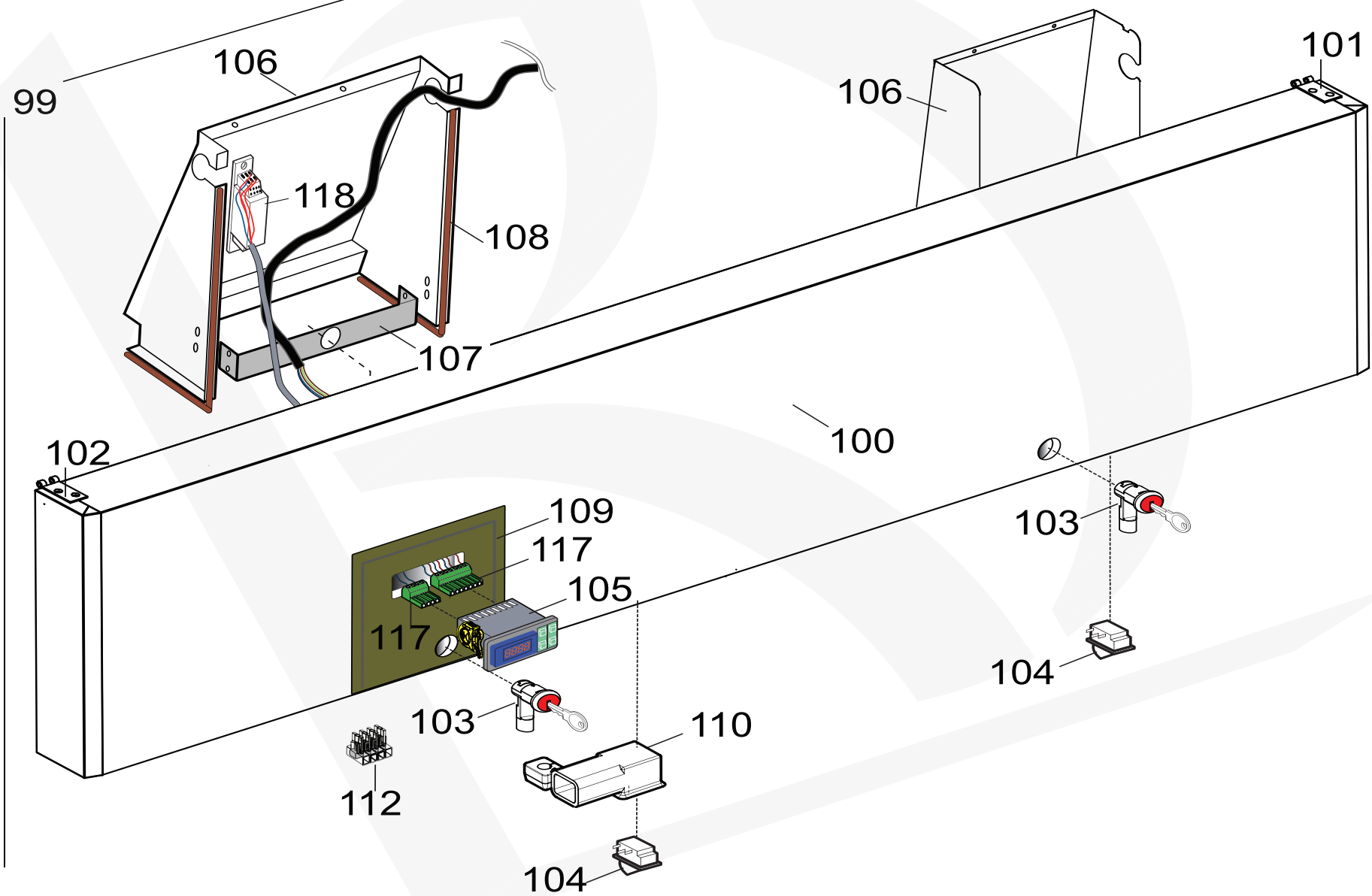
**Note:** per la corretta identificazione dei componenti, attenersi esclusivamente alle pagine indicate e alla lettera di riferimento.

**Note:** for the correct identification of the components, follow the indicated pages and the reference letter.

Pag.	Index	Indice
2	Cabinet and door	Armadio e porta
3	Cooling unit assembly	Gruppo refrigerante
4	Control panel	Pannello comandi
5....7	Spare parts list	Lista ricambi







Pos	Fact .Code	SPC	Descrizione	Description	Ref, - Note
1	541R05001	093243	Piedino	Foot	
1a	518R02600	093244	Piedino anteriore porta vetro	Back foot glass door	
2	217555204	093245	Vite per plastica per piedino	Screw ( use by fix foot)	
3	518708601	093246	Vite M8x20 per fiss. staffa sup/inf	Screw M8X20 ( use by fix bracket)	
4	502R17500	093394	Staffa supporto fianchi	Side support	
<b>5</b>	<b>875R37500</b>		<b>Assieme carter interno</b>	<b>Internal protection assembly</b>	
6	501R38201	093249	Cremagliera anteriore/posteriore	Front/back Rack	
7	501R47900	093250	Guida Sx	Left support	
8	501R48100	093251	Guida Dx	Right support	
9	514R10600	093252	Griglia 2/1 rilsan	Grid 2/1rilsan	
10	514R12200	093253	Griglia di fondo rilsan	Bottom grid rilsan	
10a	544701300	081823	Drain pipe	Piletta di scarico	
10b	545733700	085535	Drain pipe plug	Tappo per piletta	
10c	544701400	081797	Drain pipe nut	Controdado per piletta	
11	501R62100	093490	Supporto centrale cremagliere	Rack support	
12	832R09202	093545	Cornice orizzontale	Horizontal frame	
12a	832R09101	093255	Cornice verticale	Vertical frame	
12b	832R09401	093399	Cornice verticale montante	Vertical frame central support	
13	*	*	Cavo riscaldante cornice	Heating cable frame	
13a	*	*	Cavo riscaldante cornice	Heating cable frame	
16	548R06802	093257	Guarnizione porta pv/pc	Gasket door (gl/fl)	
16	548R08000	094152	Guarnizione porta pv LED	Gasket door gl LED	k,j,q,r,s,t
17	835704001	082219	Cerniera porta	Hinge door	
35	880R57001	093736	Ass. porta vetro completa	Glass door assembled	
35	883R01401	*	Ass. porta vetro completa	Glass door assembled	k,j,q,r,s,t
36	879R15600	093274	Porta vetro tn	Glass door TN	
36	879R36600	096173	Porta vetro tn	Glass door TN	k,j,q,r,s,t
37	546R22400	093535	Tappo sup. dx pv	Upper right plug door GL	
38	546R22300	093536	Tappo sup. sx pv	Upper left plug door GL	
39	546R22500	093537	Tappo inf. dx pv	Lower right plug door GL	
40	546R22200	093538	Tappo inf. sx pv	Lower left plug door GL	
41	505R12700	093349	Staffa superiore pv	Upper hinge GL	
41a	501R21900	096180	Staffa superiore pv LED	Upper hinge GL LED	k,j,q,r,s,t
41b	546R35300	096182	Boccola GFM-16-18-16	Bush GFM-16-18-16	k,j,q,r,s,t
42	833R21900	093301	Ass. staffa inf.( reversibile) pv	Lower bracket (reversible)	
43	835R28100	093320	Ass cerniera sup pv	Upper hinge GL	
43a	505R22000	096181	Ass cerniera sup pv LED	Upper hinge GL LED	k,j,q,r,s,t
44	546R23100	093517	Boccola per cerniera PV	Hinge bush GL	
45	835R26801	094484	Ass. lampada completo	Light support assembly	Not for k,j,- q,r,s,t
46	661R01000	093350	Lampada 28W	Neon 28W	Not for k,j,- q,r,s,t
47	546R22600	093258	Frontale lampada	Protection light	Not for k,j,- q,r,s,t
48	501R49500	093351	Tappo chiusura luce	Plug of clousure	Not for k,j,- q,r,s,t
49	546R23200	093352	Ferma cavo	Wiring stopper	Not for k,j,- q,r,s,t

## BT - Gab Mass

Pos	Fact .Code	SPC	Descrizione	Description	Ref. - Note
50	501R50200	093321	Fermo lampada	Stopper light	Not for k,j,- q,r,s,t
51	502R24300	*	Supporto impianto elettrico	Electrical wiring support	
52	684R05900	093426	Compressore (EMT6152U) 230/50 hz	Compressor (EMT6152U) 230/50 hz	
52a	*	*	Relè avviamento	Start relay	
52b	*	*	Protettore	Protector	
52c	*	*	Condensatore di avviamento	Start capacitor	
53	518708401	087122	Fissaggio compressore	Rubber compressor	
54	830R06600	093431	Condensatore 5R D4, 76	Condenser	
54b	546R24200	093602	Copertura condensatore	Condenser cover	
55	511708800	089697	Ventola 230-31 (elco)	Ventola 230-31	
56	546709500	089755	Protezione ventola	Fan protection	
57	515R12700	093259	Serpentina evap. acqua di conden.	Evaporation water pipe	
58	543R09300	093260	Fissaggio serpentina	Stopper pipe	
59	682R05300	093334	Ventilatore condensatore(VNT2540)	Condenser ventilator (VNT2540)	
59	682R11500	095603	Ventilatore condensatore(NIQ3212)	Condenser ventilator (NIQ3212)	k,j,q,r,s,t
60	858R06700	*	Scambiatore 2m TN R290	Heat exchanger R290	
61	858R00100	099949	Filtro 15 gr	Dehidrator filter	
61	805769901	099629	Filtro 15 gr	Dehidrator filter	k,j,q,r,s,t
62	A02021800	0A8171	Valvola per compressore	Compressor valve (charge or disch.)	
63	830R10600	094576	Evaporatore 3R 8T	Evaporator 3R 8T	a,b,c,d,e,f,g,h
63	830R04102	093430	Evaporatore 4R 8T	Evaporator 4R 8T	i,l,m,n,o,p, k,j,q,r,s,t
64	546R19201	093469	Vaschetta evaporatore	Evaporator tray	
65	682R05300	093334	Ventilatore evaporatore fime	Evaporator fan (Fime)	a,b,c,d,e,f,g,h
65	682R08600	094477	Ventilatore evaporatore (EBM)	Evaporator ventilator (EBM)	i,l,m,n,o,p
65	682R11500	095603	Ventilatore evaporatore (NIQ3212)	Evaporator ventilator (NIQ3212)	k,j,q,r,s,t
65a	511708800	089697	Ventola 230-31 ebm	Fan 230-31 ebm	a,b,c,d,e,f,g,h
65a	511R01000	093365	Ventola 230-34 ebm	Fan 230-34 ebm	i,l,m,n,o,p, k,j,q,r,s,t
66	546709500	089755	Griglia ventilatore	Motor fan support	
67	646R06700	092173	Sonda cella	Cavity probe	
70a	501R40700	093509	Deviatore aria	Air conveyor	
72	501R44102	094429	Convogliatore evap. pala 230	Evaporator convoyer	a,b,c,d,e,f,g,h
72	502R57900	094428	Convogliatore evap. pala 230	Evaporator convoyer	i,l,m,n,o,p, k,j,q,r,s,t
73	639R09900	093528	Morsettiera	Clamp	
74	835R47601	095201	Assieme Calotta	Evaporator cover	
*	0881R32401	095200	Modulo Calotta TN	Evaporator cover Module TN	
75	546R26501	094425	Coperchio impianto elettrico	Wiring cover	
76	546R26701	093976	Scatola impianto elettrico	Wiring box	
77	546R19702	093263	Tamponcino per tubi	Pipe cover insulation	
79	694R00501	092257	Filtro antidisturbo	Electrical filter	
88	638700602	099991	Cavo di alimentazione SCHUKO	SCHUKO supply cable	
89	0501R49702	094617	Rivestimento anteriore superiore AISI 304	Upper front covering AISI 304	b,d,f,h,k,l,n, p,q,s
89	0501R49802	095570	Rivestimento anteriore superiore AISI 430	Upper front covering AISI 430	a,c,e,g,i,j,m, o,r,t
99	880R60908	*	Cruscotto con termor. PV A304	Panel with termoregulator A304 GL	b,d,f,h,l,n,p
99	880R61008	*	Cruscotto con termor. PV A430	Panel with termoregulator A430 GL	a,c,e,g,i,m,o

Pos	Fact .Code	SPC	Descrizione	Description	Ref. - Note
99	883R02801		Cruscotto con termor. PV LED A304	Panel with termoregulator A304 GL LED	k,q,s
99	883R03201		Cruscotto con termor. PV LED A430	Panel with termoregulator A430 GL LED	j,r,t
100	509R13004	095827	Cruscotto A304	Panel 304 AISI	b,d,f,h,i,n,p
100	509R13104	094436	Cruscotto A430	Panel 430 AISI	a,c,e,g,i,m,o
100	509R25200	096189	Cruscotto A304 LED	Panel 304 AISI LED	k,q,s
100	509R25300	096190	Cruscotto A430 LED	Panel 430 AISI LED	j,r,t
101	832R10100	093609	Cerniera per cruscotto destra	Right hinge for panel	
102	832R10200	093610	Cerniera per cruscotto sinistra	Left hinge for panel	
103	833R20900	093345	Serratura	Latch	
104	640712100	087485	Micro porta	Door switch	
105	646R11000	093329	Termoregolatore ir33 gab/mass PV	Thermoregulator Gab/Mass GL	
106	501R37402	094389	Protezione	Protection led-lamp	
107	501R37502	093354	Staffa fiss. protez.trmoregolatore	Bracket support	
108	140088006	0L0113	Guarnizione	Guarnizione	
109	755R03901	093268	Membrana adesiva	Stiker	g,h
109	598R81500	095022	Membrana Zanussi	Zanussi membrane	For Zanussi products
<b>109</b>	<b>598R81601</b>	<b>095023</b>	<b>Membrana Electrolux</b>	<b>Electrolux membrane</b>	<b>From 7391 for Elux and To Brand products</b>
109	598R81700	095024	Membrana neutra	Neutral membrane	For Alpen products
110	546R12100	092353	Protezione micro	Door switch protection	
112	639R10400	093391	Morsetto	Clamp	
117	639R06800	*	Connettore dritto 3 vie	Connector 3 ways right	
117	639R06900	*	Connettore dritto 7 vie	Connector 7 ways right	
117	*	099740	Connettore 90° 7 vie	Connector 7 ways 90°	
117	*	099741	Connettore 90° 5 vie	Connector 5 ways 90°	
117	*	088998	Connettore 90° 3 vie	Connector 3 ways 90°	
117	*	099743	Connettore 90° 3 vie piccolo	Connector 3 ways 90° small	
117	*	099742	Connettore 90° 2 vie	Connector 2 ways 90°	
117	*	091682	Connettore 90° 4 vie	Connector 4 ways 90°	
117	*	091684	Connettore 90° 5 vie	Connector 5 ways 90°	
118	624R01400	093270	Alimentatore PV	Light power GL	
118	648R11300	096179	Alimentatore PV LED	Light power GL LED	k,j,q,r,s,t





NordCap GmbH & Co. KG  
Thalendorststraße 15  
28307 Bremen  
Hauptsitz (Service, Finanzen & Personal, Lager, IT, Marketing)

Telefon: +49 421 48557-0  
Telefax: +49 421 488650  
E-Mail: [bremen@nordcap.de](mailto:bremen@nordcap.de)

Die NordCap Verkaufsniederlassungen in Deutschland:

Nord: Hamburg • Ost: Berlin • Süd: Ingelheim • West: Erkrath



**ALPENINOX**