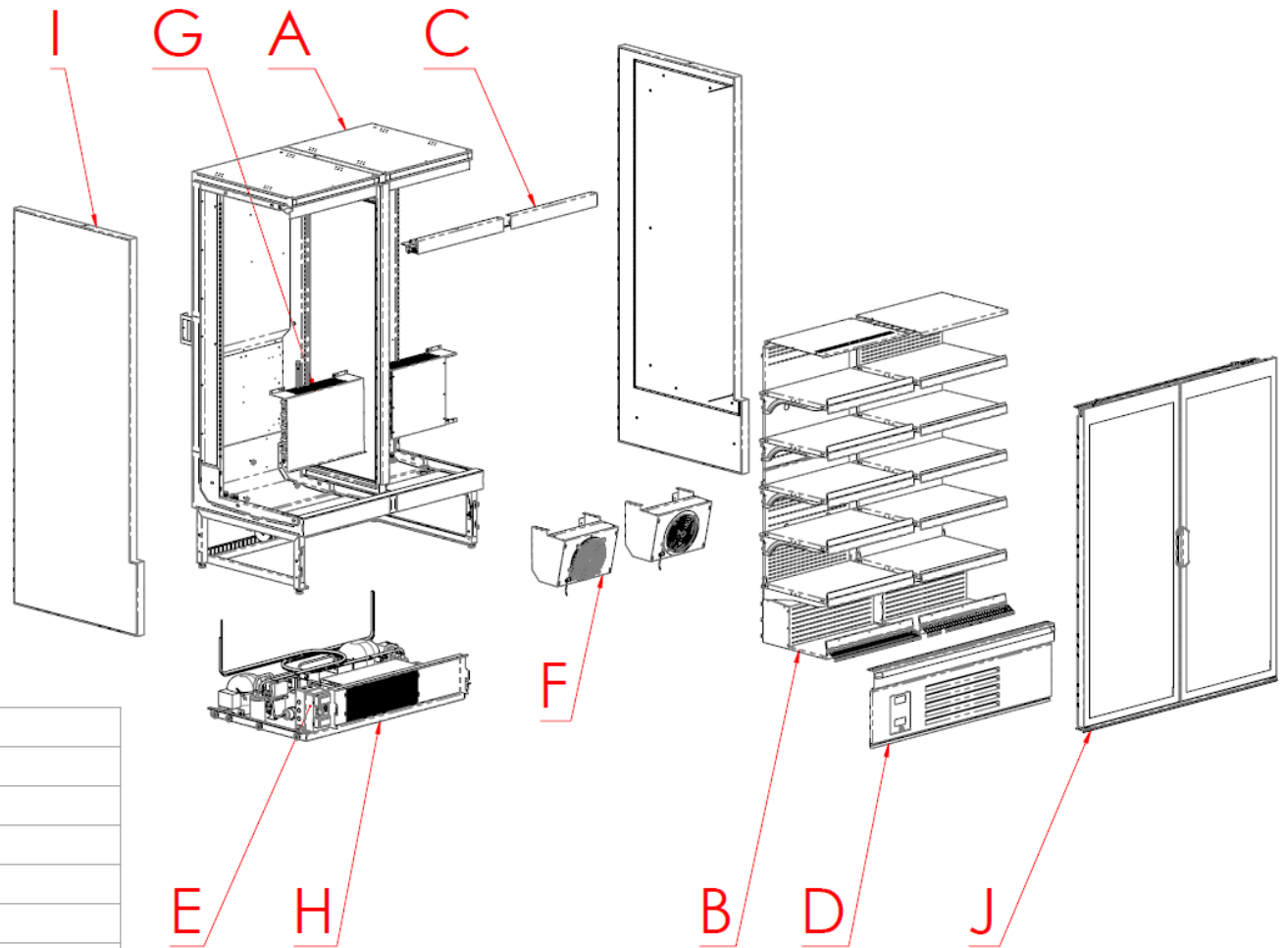


# Ersatzteilliste-Explosionszeichnung

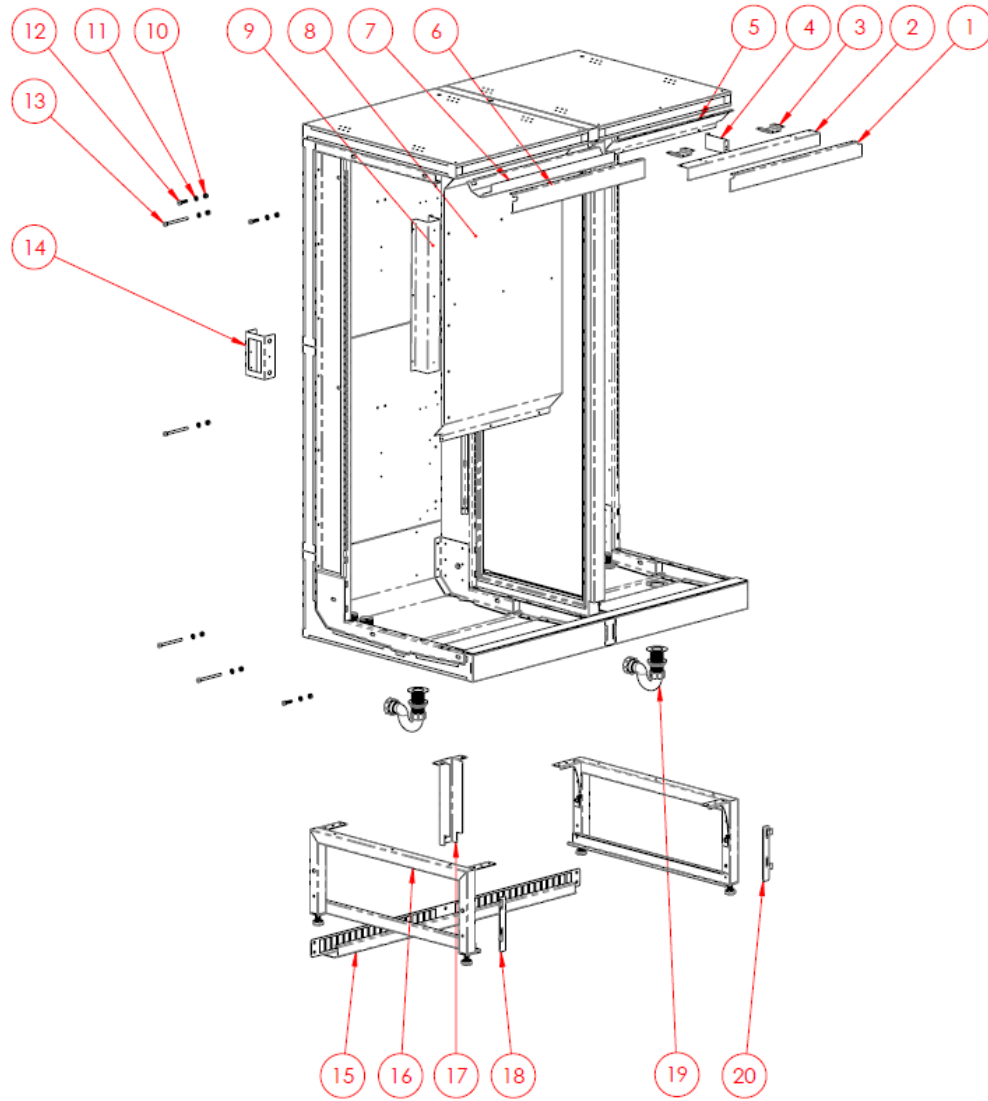
## Kühl- / Tiefkühl-Kombinationsschrank CD 140

[Art. 435800140]

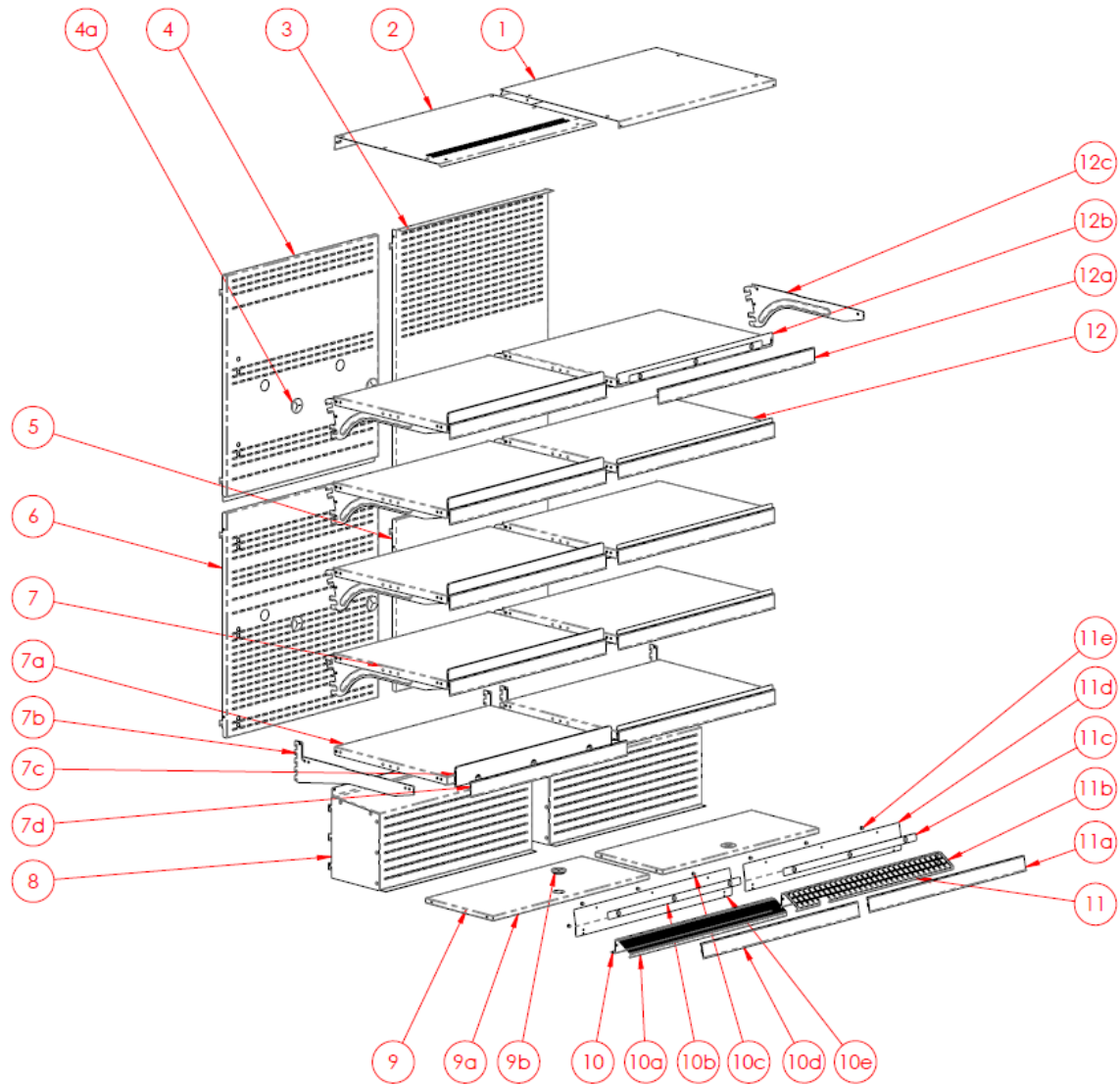




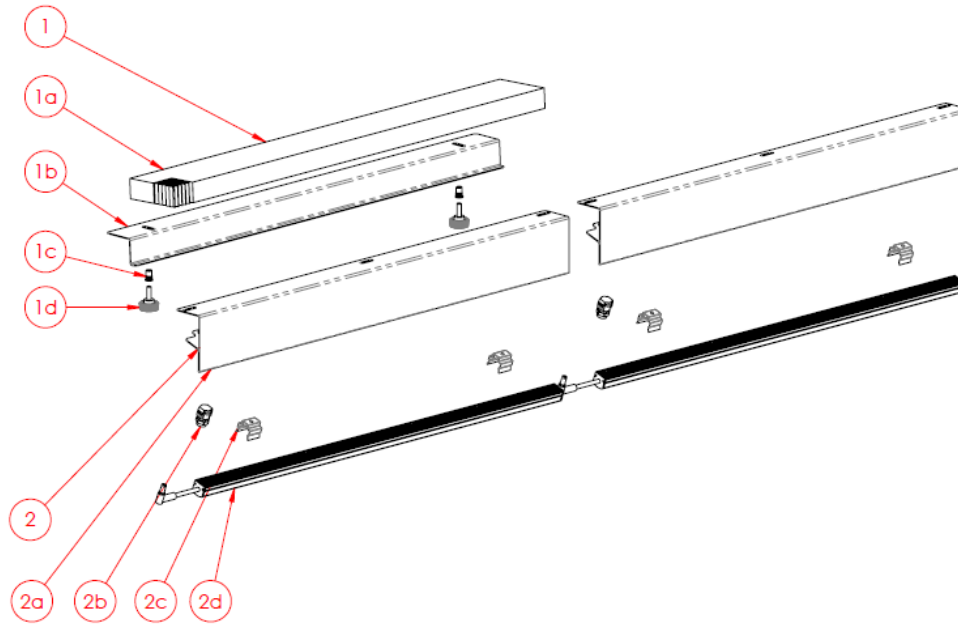
A	CABINET CONSTRUCTION / FIXINGS
B	INTERNAL PANELS
C	STRAIGHTENERS / CANOPY ASSEMBLY
D	BASE FRONT ASSEMBLY
E	ELECTRICAL BOX & CONTROLS
F	EVAPORATOR FAN ASSEMBLY
G	EVAPORATORS / VALVES / FITTINGS
H	CONDENSING UNIT
I	END WALLS / TRIMS
J	DOORS



No	Drawing Number	Part Code	Part Description	Cabinet Lengths Quantity
				1250
1	K90224.01	1161513	AIR DEFLECTOR (PLENUM) TOP FRONT PAINTED 625 FROZEN BIBURY DUAL	1
2	K90223.01	1161519	AIR DEFLECTOR (PLENUM) REAR PAINTED 625 FROZEN BIBURY DUAL	1
3	K83751.01	1151284	BRACKET AIR DEFLECTOR (PLENUM) REAR GLV FROZEN BIBURY	2
4	K83754.01	1151283	BRACKET AIR DEFLECTOR (PLENUM) TOP REAR GLV FROZEN BIBURY	2
5	K90882.01	1165058	AIR DEFLECTOR (PLENUM) TOP MIDDLE GLV FROZEN BIBURY V3	1
6	K93471.01	1169393	HONEYCOMB RETAINER FRONT PAINTED 625 BIBURY V3	1
7	K93468.01	1169243	AIR DEFLECTOR TOP GLV 625 BIBURY V3	1
8	K97755.01	1171486	AIR DEFLECTOR (PLENUM) EVAPORATOR GLV 625 BIBURY V3	1
9	K97756.01	1171487	SUPPORT AIR DEFLECTOR (PLENUM) EVAPORATOR GLV 625 BIBURY V3	1
10	N/A	0012626	NUT M8	7
11	N/A	0029464	WASHER M8	7
12	N/A	0012580	BOLT ALLEN HEAD M8x30	3
13	N/A	0023327	BOLT ALLEN HEAD M8x80	4
14	K65814.01	1127001	BRACKER - AIR DEFLECTOR (PLENUM) EVAPORATOR TOP	2
15	K90235.02	1161525	FOOT BAR REAR ASSEMBLY RAL 9006 60 GL 625BIBURY DUAL	1
16	K96230	1169501	FOOT ASSEMBLY RAL 9006 60 GL BIBURY V3	2
17	K92984.02	1165129	FOOT REAR MIDDLE PAINTED BIBURY V3	1
18	K80560.01	1151030	RACK SIDE COVER BASE PAINTED LEFT BIBURY	1
19	K22793	0013029	SEAL BATH TRAP 1 1/4" MULTIFIT - MCALPINE P10	1
	K9395	1020954	TANK OVERFLOW 1 1/4" BSP MCALPINE W10	1
20	K80561.01	1151094	RACK SIDE COVER BASE PAINTED RIGHT BIBURY	1

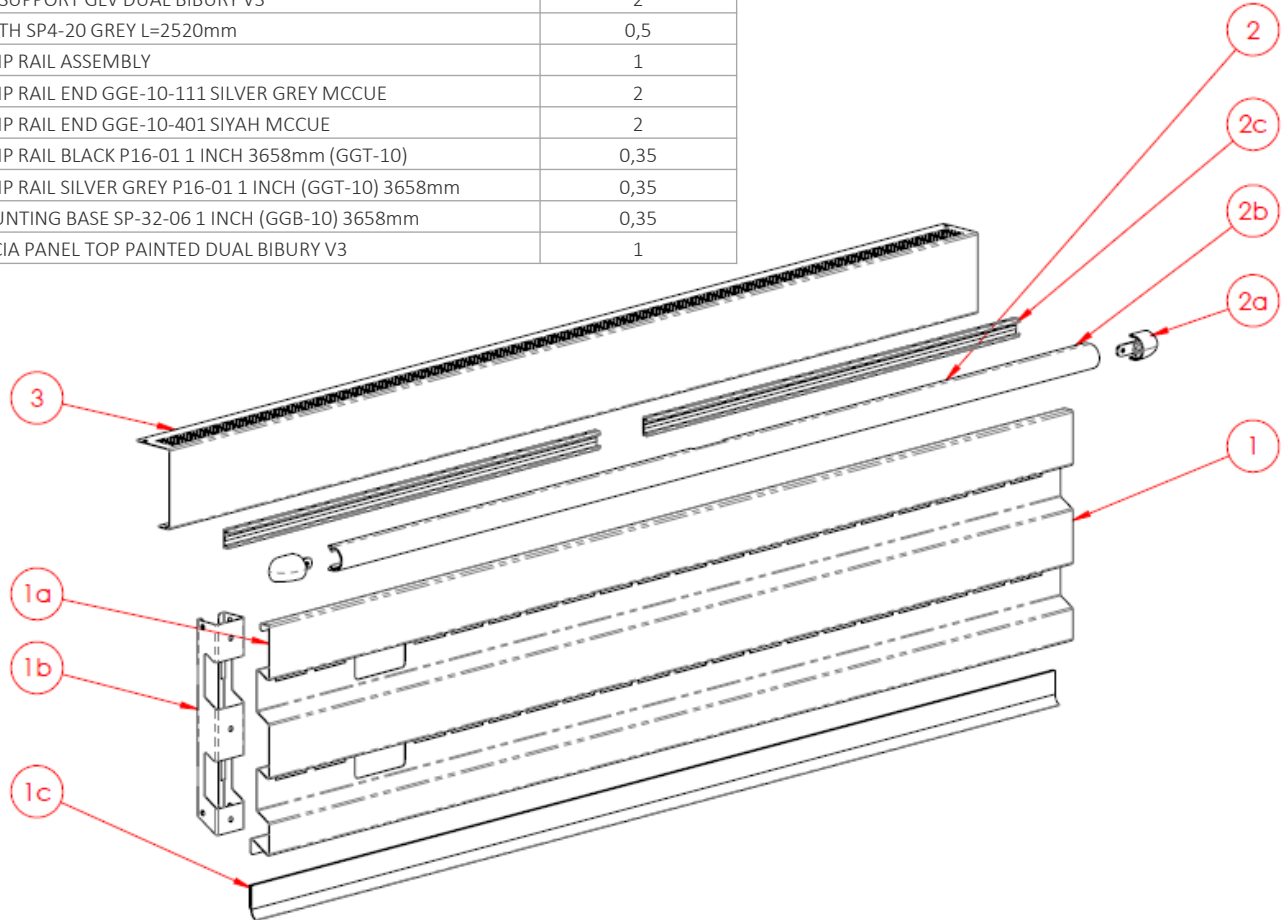


No	Drawing Number	Part Code	Part Description	Cabinet Lengths
				Quantity
				1250
1	K93434.01	1169289	ROOF PANEL B FROZEN 625 BIBURY V3	1
2	K93466.01	1169293	ROOF PANEL B 625 BIBURY V3	1
3	K90872.01	1165083	BACK PANEL PERFORATED TOP B 2500 FROZEN BIBURY V3	1
4	K93470.01	1169133	BACK PANEL PERFORATED TOP B 625 BIBURY V3	1
4.a	K24847	0013034	BACK PANEL BUSHING PLASTIC Ø32MM BLACK	4
	K24847	0056864	BACK PANEL BUSHING PLASTIC Ø32MM GREY	4
	K24847	0056865	BACK PANEL BUSHING PLASTIC Ø32MM WHITE	4
5	K90868	1165135	BACK PANEL PERFORATED BOTTOM ASSEMBLY 2500 FROZEN BIBURY V3	1
6	K93469.01	1169369	BACK PANEL PERFORATED BOTTOM B 625 BIBURY V3	1
7	N/A	N/A	SHELF ASSEMBLY CHILLED	4
7.a	K48589	1094075	SHELF PRE-ASSEMBLY 450X625 SEDEF T	5
7.b	K90850.07	1165114	SHELF BRACKET 450 FIXED PAINTED - LOWER SHELF BIBURY V3	2
	K40362.01	1082270	SHELF BRACKET 450 PAINTED	8
7.c	K90253	0161796	SHELF PRODUCT RISER 5x57x625mm	5
7.d	K69945	1141899	TICKET STRIP EP-08 43x622mm BLACK TURMALINE	5
	K69945	1141900	TICKET STRIP EP-08 43x622mm WHITE TURMALINE	5
8	K93447	1169378	FAN AIR DECK ASSEMBLY 625 BIBURY V3	2
9	K93440	1172345	DECK TRAY ASSEMBLY PAINTED 625 BIBURY V3	2
9.a	K93441.01	1169311	DECK TRAY PAINTED 625 BIBURY V3	2
9.b	K24847	0013034	BACK PANEL BUSHING PLASTIC Ø32MM BLACK	2
	K24847	0056864	BACK PANEL BUSHING PLASTIC Ø32MM GREY	2
	K24847	0056865	BACK PANEL BUSHING PLASTIC Ø32MM WHITE	2
10	K93460	1169388	AIR RETURN GRILLE ASSEMBLY 625 CHILLED BIBURY V3	1
10.a	K93461.01	1169387	AIR RETURN GRILLE PAINTED 625 CHILLED BIBURY V3	1
10.b	K48593.01	1093932	TICKET STRIP CARRIER GLV 625 SEDEF T	1
10.c	N/A	0012598	RIVET POP STEEL 4x10 MM	5
10.d	K69945	1141899	TICKET STRIP EP-08 43x622mm BLACK TURMALINE	1
	K69945	1141900	TICKET STRIP EP-08 43x622mm WHITE TURMALINE	1
10.e	K90247.01	1161782	TICKET STRIP PLATE DECK TRAY B 625 BIBURY DUAL	1
11	K93442	1169373	AIR RETURN GRILLE ASSEMBLY 625 FROZEN BIBURY V3	1
11.a	K69945	1141899	TICKET STRIP EP-08 43x622mm BLACK TURMALINE	1
	K69945	1141900	TICKET STRIP EP-08 43x622mm WHITE TURMALINE	1
11.b	K93443.01	1169371	AIR RETURN GRILLE PAINTED 625 FROZEN BIBURY V3	1
11.c	K48593.01	1093932	TICKET STRIP CARRIER GLV 625 SEDEF T	1
11.d	K90247.01	1161782	TICKET STRIP PLATE DECK TRAY B 625 BIBURY DUAL	1
11.e	N/A	0012598	RIVET POP STEEL 4x10 MM	5
12	N/A	N/A	SHELF ASSEMBLY FROZEN	5
12.a	K69945	1141899	TICKET STRIP EP-08 43x622mm BLACK TURMALINE	5
	K69945	1141900	TICKET STRIP EP-08 43x622mm WHITE TURMALINE	5
12.b	K84044	1151328	SHELF PRE-ASSEMBLY 450X625 FROZEN BIBURY	5
12.c	K40362.01	1082270	SHELF BRACKET 450 PAINTED	8
	K90850.07	1165114	SHELF BRACKET 450 FIXED PAINTED - LOWER SHELF BIBURY V3	2

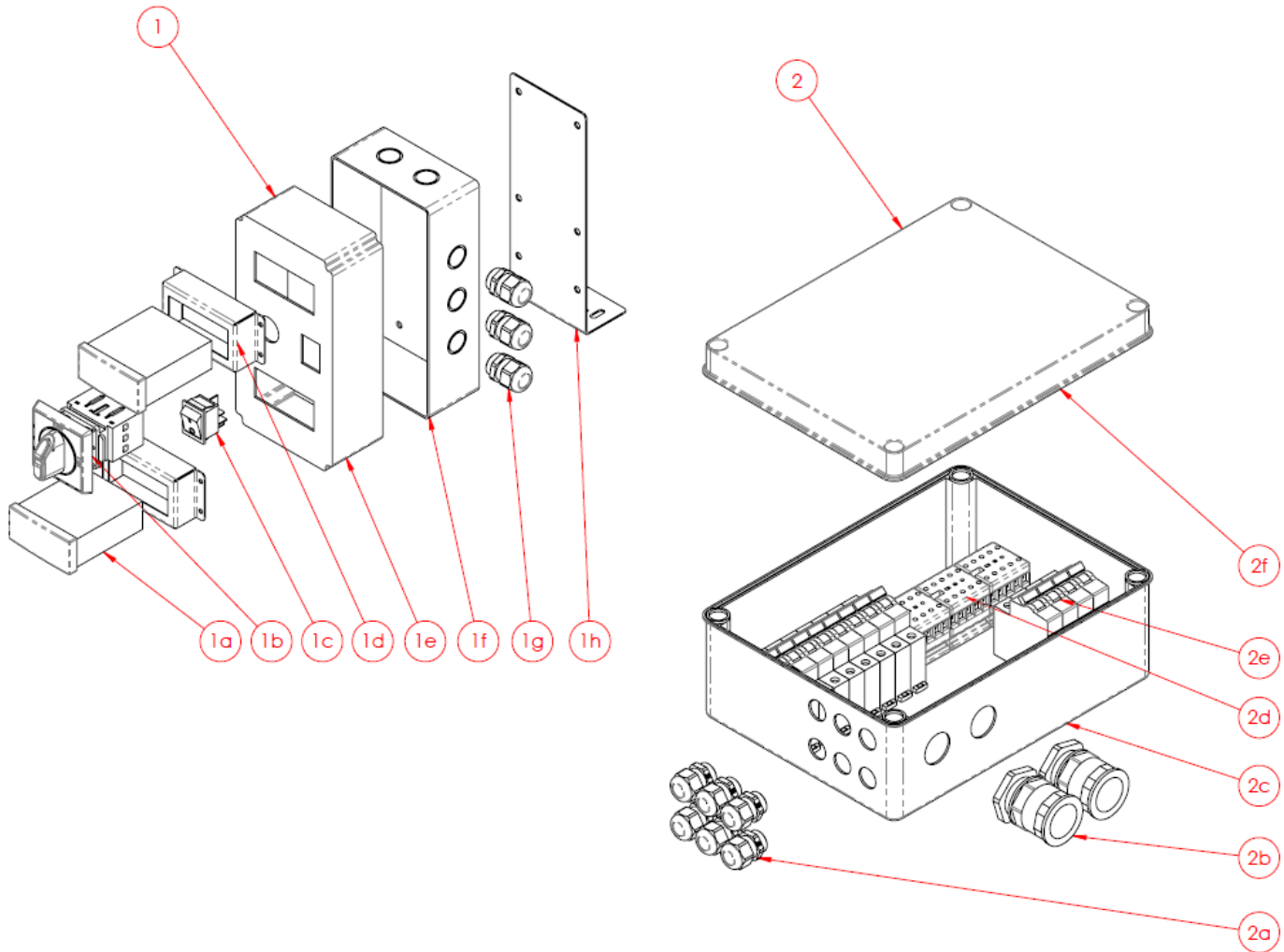


No	Drawing Number	Part Code	Part Description	Cabinet Lengths
				Quantity
1	N/A	N/A	HONEYCOMB ASSEMBLY	1250 1
1.a	K23540	0097102	HONEYCOMB TUBUS CORE PC 6.0 25x75x1250mm (PHYTHON)	1
1.b	K93467.01	1169291	HONEYCOMB BACK RETAINER ADJUSTABLE B 625 BIBURY V3	1
1.c	N/A	0012594	RIVET NUT M5	2
1.d	K7553	0013035	THUMBSCREW M5x25 Ø22mm BLACK	2
2	K93513	1169837	LIGHTING CANOPY ASSEMBLY 625 BIBURY DUAL	1
2.a	K93331.01	1166309	LIGHTING PLATE B LED 625 BIBURY DUAL	1
2.b	K75925	0113204	LED LIGHTING LOOM CANOPY 300mm CC-0617 MOTION29	1
2.b	K48667.04	0072862	LED CANOPY MOUNTING CLIP MH001 LUXAR	4
2.c	K75820	0135605	LED CANOPY 607mm DS06-056-30FNN-K07 3000K High Flux 10W LUXAR	2

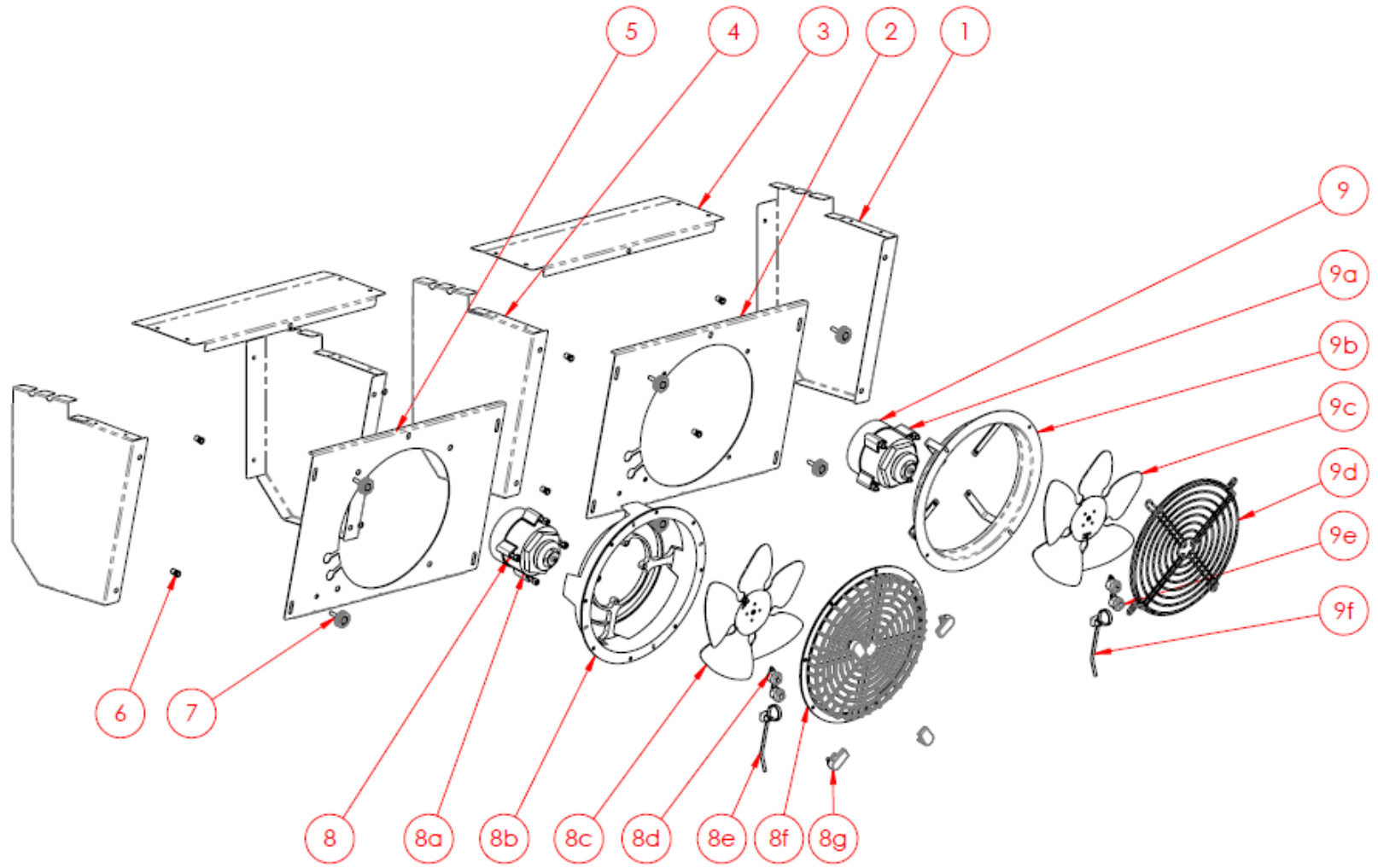
No	Drawing Number	Part Code	Part Description	Cabinet Lengths
				Quantity
1	K97749	1171499	BASE FRONT FASCIA PANEL ASSEMBLY PAINTED DUAL BIBURY V3	1250
1.a	K97750.01	1171497	BASE FRONT FASCIA PANEL GLV DUAL BIBURY V3	1
1.b	K97751.01	1171496	BAR SUPPORT GLV DUAL BIBURY V3	2
1.c	N/A	0013050	PLINTH SP4-20 GREY L=2520mm	0,5
2	N/A	N/A	BUMP RAIL ASSEMBLY	1
2.a	K67300	0053398	BUMP RAIL END GGE-10-111 SILVER GREY MCCUE	2
	K67300	0102948	BUMP RAIL END GGE-10-401 SIYAH MCCUE	2
2.b	K67518	0102944	BUMP RAIL BLACK P16-01 1 INCH 3658mm (GGT-10)	0,35
	K67518	0063218	BUMP RAIL SILVER GREY P16-01 1 INCH (GGT-10) 3658mm	0,35
2.c	K67519	0063219	MOUNTING BASE SP-32-06 1 INCH (GGB-10) 3658mm	0,35
3	K93431.01	1169131	FASCIA PANEL TOP PAINTED DUAL BIBURY V3	1



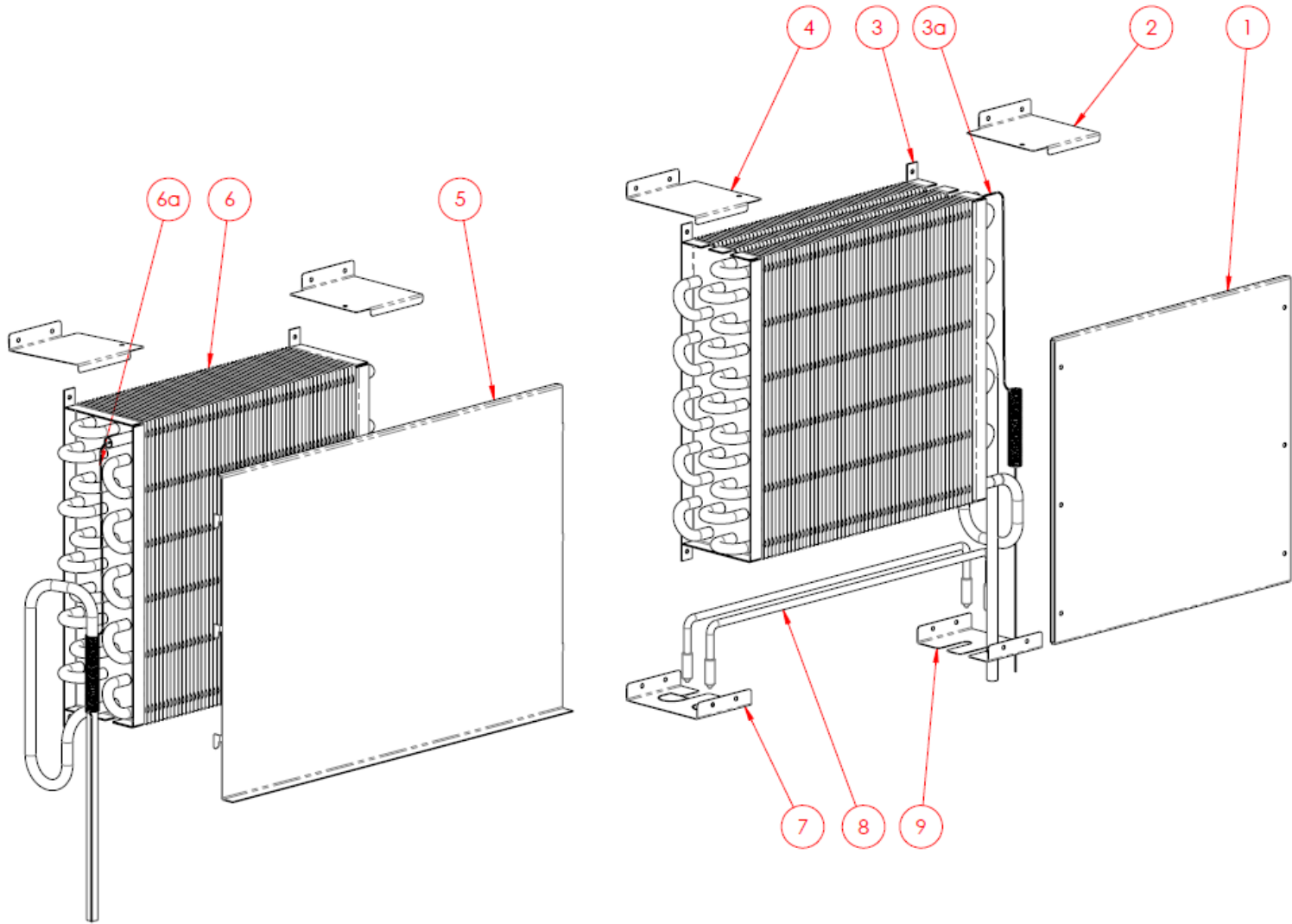




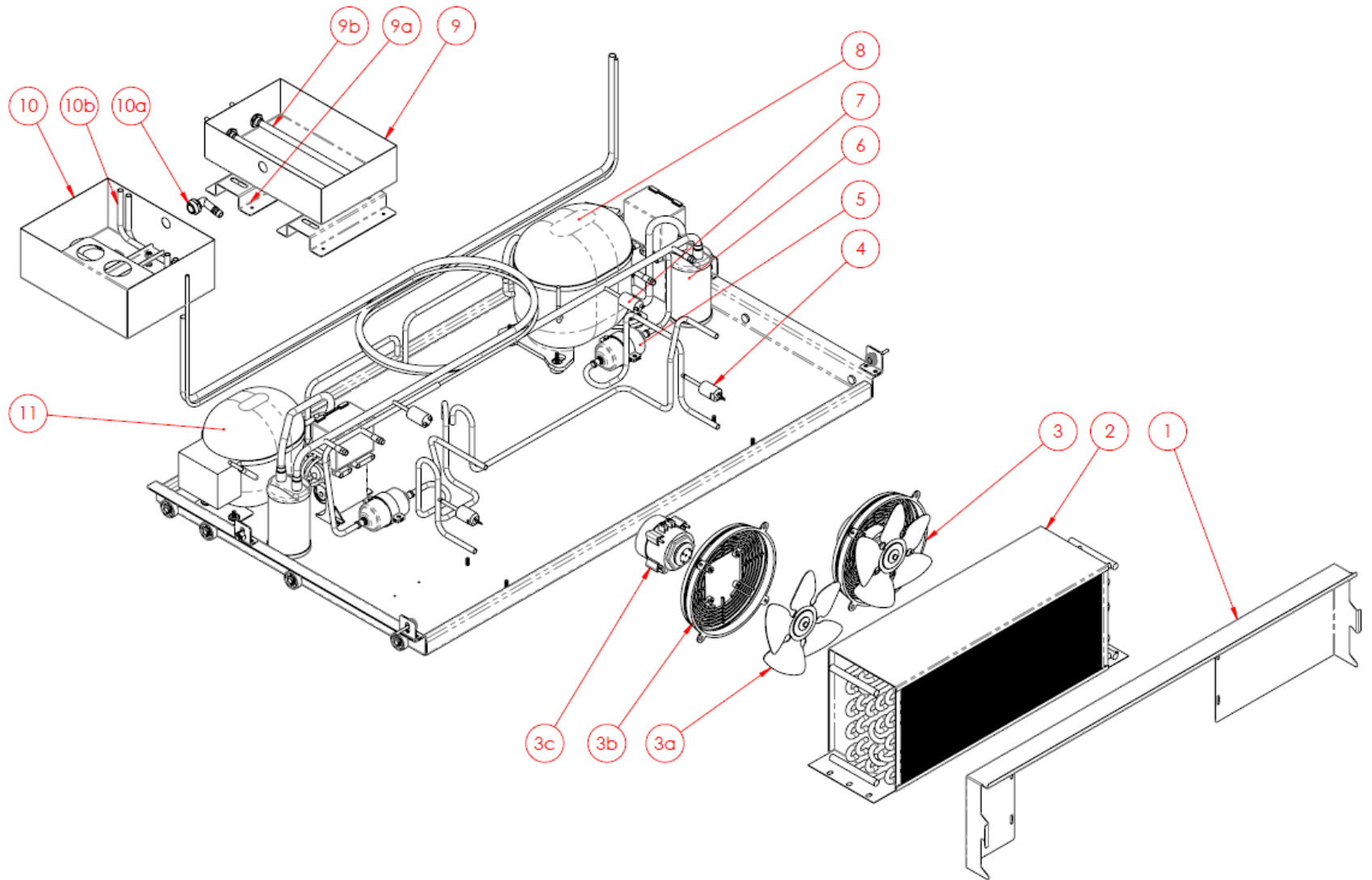
No	Drawing Number	Part Code	Part Description	Cabinet Lengths Quantity
				1250
1.a	N/A	0060507	CONTROLLER CAREL PJEZC00000 + 2 X NTC060HP00 PROBES	1
1.b	N/A	1159608	ISOLATOR SWITCHI 25A ABB	1
1.c	N/A	0011680	SWITCH ILLUMINATED ON/OFF	1
1.d	K96638.01	1172452	CONTROLLER EXTENSION SHEET DUAL BIBURY V3	1
1.e/1.f	K96637	0108698	JUNCTION BOX REMOTE 402022-05 110x210x120 METE ENERJI	1
1.g	N/A	0013604	PLASTIC CABLE GLANDS M20	3
1.h	K59496.01	1111994	DISPLAY BOX HOLDER AVENTURIN H V2 PL	1
2	N/A	1169890	ELEKTRIK PANO GRUBU DUAL BIBURY V3	1
2.c/2.f	K79207	0016685	JUNCTION BOX IP67 CP 1044 310x230x130mm	1
2.d	N/A	0012070	CONTACTOR - SCHNEIDER LC1-K0910M7 / ABB B6-30-10	3
2.e	N/A	0167396	CIRCUIT BREAKER C ABB 6kA 1x4A 2CDS251001R0044	4
	N/A	0167417	CIRCUIT BREAKER C ABB 6kA 1x2A 2CDS251001R0024	4
	N/A	0167397	CIRCUIT BREAKER C ABB 6kA 1x6A 2CDS651061R0064	4
	K88797	1155503	JUNCTION BOX BASE PLATE 310x230x130	1
	N/A	0012436	THERMOSTAT KLIXON CBTM 1001 AB4000 T (+10C-1C)	2
	N/A	0037422	PLUG COMMANDO IP44 1x16 amp 2P+E K9001 BLU	1
	N/A	0125557	LED DRIVER 60 W MW-LPV-60-24 (24V DC 2.5A IP67) MEANWELL	1



No	Drawing Number	Part Code	Part Description	Cabinet Lengths Quantity
				1250
1	K92969.01	1165097	SUPPORT EVAPORATOR BOTTOM GLV RIGHT BIBURY V3	2
2	K97601.01	1169464	FAN BAFFLE GLV FROZEN 625 BIBURY V3	1
3	K93446.01	1169366	TOP COVER FAN GLV 625 BIBURY V3	2
4	K92968.01	1165074	SUPPORT EVAPORATOR BOTTOM GLV LEFT BIBURY V3	2
5	K93445.01	1169279	FAN BAFFLE GLV 625 BIBURY V3	1
6	N/A	0012594	NUT RIVET M5	8
7	K32916	0056862	THUMBSCREW M5x16 Ø22mm WHITE	8
8	K93799	N/A	FAN MOTOR ASSEMBLY NIQ 28D C200	1
8.a	K93620	0147339	FAN MOTOR EBM NIQ3212-330250-V14.11 (55332.02007)	1
8.b	K23233	0012443	FAN RING PLASTIC Ø20cm	1
8.c	K93617	0012492	FAN BLADE ALUMINIUM Ø200/28° SUCTION	1
8.d	K33960	0031974	STRAIN RELIEF BUSHING BPSRB015BLK	2
8.e	K40397	0077951	CABLE TIE RELEASABLE 0145568	1
8.f	K23234	0041712	FAN GRID Ø200 - PLASTIC	1
8.g	K6276	0030330	FAN GRID LOCKER RELEASABLE PLASTIC K6276	1
9	K93763	N/A	METAL FRAMED FAN MOTOR ASSEMBLY NIQ 28D C200	1
9.a	K93620	0147339	FAN MOTOR EBM NIQ3212-330250-V14.11 (55332.02007)	1
9.b	K48623	0168037	FAN RING METAL Ø20cm	1
9.c	K93617	0012492	FAN BLADE ALUMINIUM Ø200/28° SUCTION	1
9.d	K46816	0097880	FAN GRID-WIRE Ø200mm	1
9.e	K33960	0031974	STRAIN RELIEF BUSHING BPSRB015BLK	2
9.f	K40397	0077951	CABLE TIE RELEASABLE 0145568	1

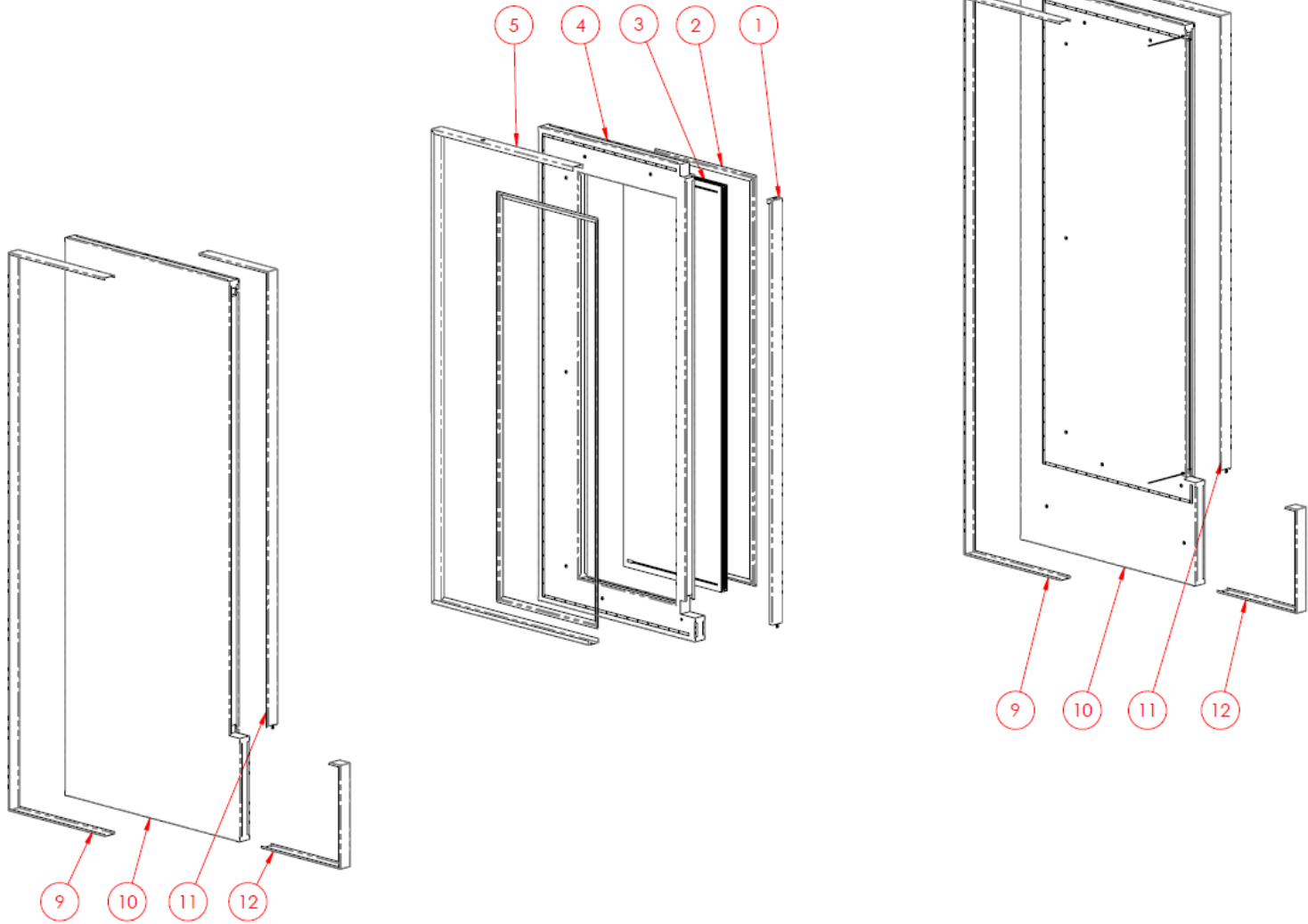


No	Drawing Number	Part Code	Part Description	Cabinet Lengths Quantity
				1250
1	K90243.01	1161815	EVAPORATOR COVER 625 FROZEN BIBURY DUAL	1
2	K92963.01	1165061	EVAPORATOR BY-PASS COVER GLV RIGHT BIBURY V3	2
3	N/A	1162667	EVAPORATOR ASSEMBLY R290 BIBURY DUAL FROZEN	1
3.a	N/A	1169165	CAPILLARY TUBES Ø1.0mm 137cm (R290)	1
3.b	N/A	0162627	EVAPORATOR COIL HFC 38x33 STAGGERED 1/2-32 PIPE 6mm PITCH 385mm	1
4	K92981.01	1165068	EVAPORATOR BY-PASS COVER GLV LEFT BIBURY V3	2
5	K93459.01	1169391	EVAPORATOR COVER LIFT-OFF 625 BIBURY V3	1
6	N/A	1162666	EVAPORATOR ASSEMBLY R290 BIBURY DUAL CHILLED	1
6.a	N/A	1169364	CAPILLARY TUBES Ø1.2mm 139.5cm (R290)	1
6.b	N/A	0162627	EVAPORATOR COIL HFC 38x33 STAGGERED 1/2-32 PIPE 6mm PITCH 385mm	1
7	K93457.01	1169367	EVAPORATOR BY-PASS COVER LOWER LEFT GLV BIBURY V3	1
8	K58522	0116586	TUBULAR DEFROST HEATER 450 W/m 60+450+60mm AMATIS LT	2
9	K93456.01	1169130	EVAPORATOR BY-PASS COVER LOWER RIGHT GLV BIBURY V3	1

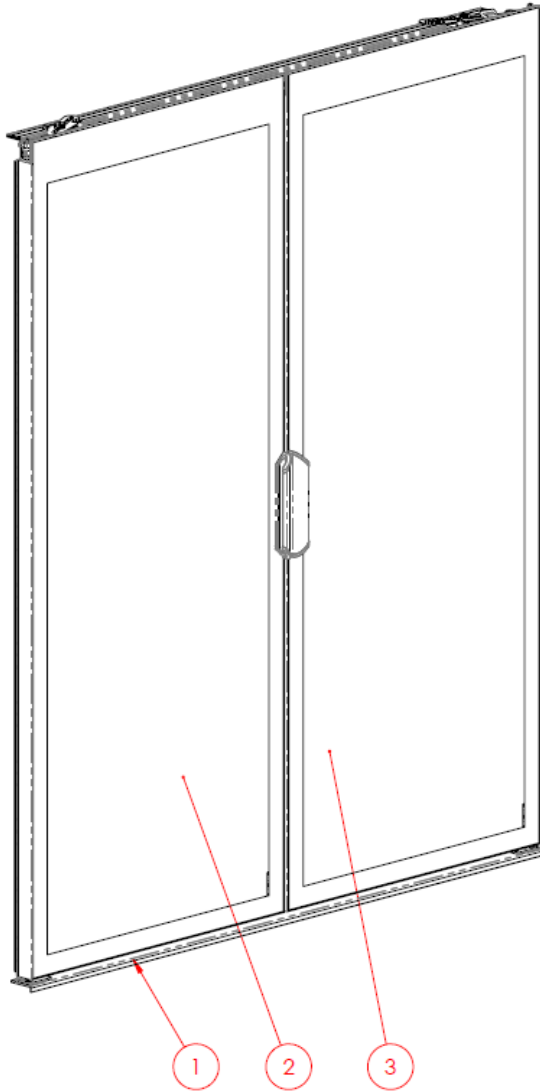


No	Drawing Number	Part Code	Part Description	Cabinet Lengths Quantity
				1250
1	K97758.01	1171488	BY-PASS COVER CONDENSER GLV TYPE 2 DUAL BIBURY V3	1
2	N/A	0160167	CONDENSER COIL 25x25 3/8 - 44 2.4mm PITCH 645mm DUAL CIRCUIT	1
3	N/A	N/A	FAN MOTOR ASSEMBLY	2
3.a	N/A	0012495	FAN BLADE ALUMINIUM Ø200/34° SUCTION	2
3.b	K2549	0061758	FAN GRID Ø200mm	2
3.c	K93621	0102443	FAN MOTOR EBM M4Q045-CF01-01-A05 / 60W	2
4	N/A	0079970	PRESSURE SENSOR (HIGH) RANCO NSDHM10C60000 (26/20 BAR) MANUAL RESET SPST-NC (IP67)	2
5	N/A	0013212	FILTER DRIER 3/8 DML 083S (023Z457091) DANFOSS	2
6	N/A	0156458	SUCTION ACCUMULATOR 0.62 LT KPS-LTG-0.62lt-ODS12	2
7	N/A	0079971	PRESSURE SENSOR (LOW) RANCO NSDLA10A60100 (0.5/1.5 BAR) AUTO RESET SPST-NO (IP67)	2
8	N/A	0120041	COMPRESSOR RECIPROCATING EMBRACO NT 2180U (R290) CSIR MOTOR - 843AA0422AA	1
9	K42773.04	1080436	EVAPORATIVE PAN ASSEMBLY WITH HEATER 1250 SEDEF T	1
9.a	K42764.01	1092615	EVAPORATIVE PAN SUPPORT B RAL 7035 90 GL SEDEF T	1
9.b	K29112	0118661	SELF EVAPORATIVE HEATER SEDES PTC FISEK REZ. L=240mm 340W (3PTC 150°C) 230V 50-60Hz	2
10	K97772	1171968	EVAPORATIVE DRAIN PAN ASSEMBLY WITH DE-SUPERHEATING COIL DUAL BIBURY V3	1
10.a	N/A	0020745	CONDENSE WATER DRAIN PIPE ELBOW PLASTIC 16x1/2	1
10.b	K20225	0035620	DE-SUPERHEATING COIL ST/ST 980 EMERALD	2
11	N/A	0032328	COMPRESSOR RECIPROCATING EMBRACO NE K6213U (R290) CSIR MOTOR	1





No	Drawing Number	Part Code	Part Description	Cabinet Lengths Quantity
				1250
N/A	K93516	1169365	END WALL SOLID WITHOUT MIRROR ASSEMBLY RIGHT DUAL BIBURY V3	1
	K93515	1169141	END WALL SOLID WITHOUT MIRROR ASSEMBLY LEFT DUAL BIBURY V3	1
	K93521	1169336	INTERMEDIATE COMMON END WALL ASSEMBLY GLAZED 625 BIBURY DUAL V3 AGL	1
1	K93526.01	1169324	TRIM FRONT INTERMEDIATE COMMON END WALL GLAZED PAINTED 625 BIBURY DUAL V3 AGL	1
2	K93478.15	1169335	END WALL INNER TRIM ASSEMBLY PAINTED DUAL BIBURY V3	2
3	K84007	1166796	GLASS END WALL GLAZING TEMPERED WITH GLASS SURFACE TRIM HEATER FROZEN BIBURY 230V	1
4	K93522	1169326	INTERMEDIATE COMMON END WALL GLAZED 625 BIBURY DUAL V3 AGL	1
5	K93527.01	1169330	TRIM REAR INTERMEDIATE COMMON END WALL GLAZED PAINTED 625 BIBURY DUAL V3 AGL	1
9	K97747.01	1171523	TRIM REAR END WALL SOLID PAINTED 625 BIBURY DUAL V3 AGL	1
10	K93517	1169143	END WALL ASSEMBLY SOLID WITH TRIM HEATER DUAL BIBURY V3 AGL	1
11	K91736.01	1161540	TRIM FRONT END WALL SOLID PAINTED FROZEN BIBURY V3 AGL	1
12	K97748.01	1171525	TRIM FRONT BOTTOM END WALL SOLID PAINTED DUAL BIBURY V3 AGL	1



No	Drawing Number	Part Code	Part Description	Cabinet Lengths Quantity
				1250
1	N/A	0169840	AURA SPECIAL LOWER FRAME ASSEMBLY 1404mm RAL7022 BIBURY DUAL	1
	N/A	0169841	AURA SPECIAL TOP FRAME ASSEMBLY 1404mm RAL7022 BIBURY DUAL	1
2	N/A	0169842	DOOR AURA SPECIAL CHILLED LEFT 695x1695mm RAL7022 BIBURY DUAL YORGLASS	1
3	N/A	0169843	DOOR AURA SPECIAL FROZEN RIGHT 695x1695mm RAL7022 BIBURY DUAL YORGLASS	1

NordCap GmbH & Co. KG

Thalendorststraße 15  
D-28307 Bremen

Telefon: +49 421 48557-0  
Telefax: +49 421 488650

E-Mail: [info\(at\)nordcap.de](mailto:info@nordcap.de)

