

FRIGORIFERO DIGITALE

LEGENDA

- M1: COMPRESSORE
- M2: VENTILATORE CONDENSATORE
- M3/M4: VENTILATORE CELLA
- MP: TERMOREGOLATORE DIGITALE
- MH1/MH2: RESISTENZE LONGHERONE PORTA
- S1: SONDA CAMERA
- U1: TRASFORMATORE 230V/24V
- L1/L2/L3: LUCE INTERNA
- FH1/MH\*: RESISTENZE CORNICE PORTA

DIGITAL REFRIGERATOR

LEGEND

- M1: COMPRESSOR
- M2: CONDENSER FAN
- M3/M4: STORAGE COMPARTMENT FAN
- MP: DIGITAL THERMOREGULATOR
- MH1/MH2: DOOR MULLION HEATERS
- S1: ROOM PROBE
- U1: TRANSFORMER 230V/24V
- L1/L2/L3: INNER LIGHT
- FH1/MH\*: DOORS FRAME HEATER

ARMOIRE FRIGORIFIQUE AVEC  
CONTROLE DIGITAL

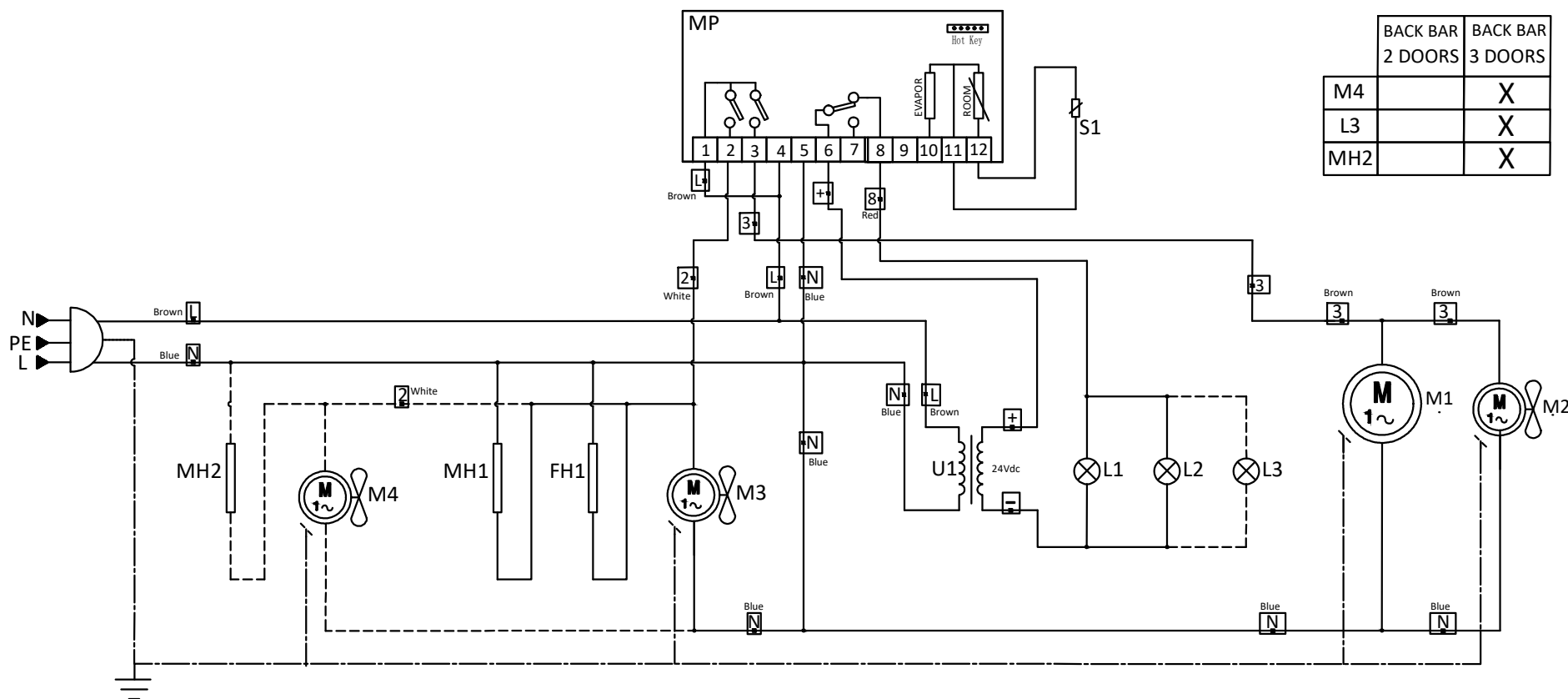
LEGENDE

- M1: COMPRESSEUR
- M2: VENTILATEUR CONDENSEUR
- M3/M4: VENTILATEUR CELLULE
- MP: MICROPROCESSEUR DIGITAL
- MH1/MH2: CHAUFFE-PIED DE MONTANT DE PORTE
- S1: CAPTEUR DE PIECE
- U1: TRANSFORMATUER 230V/24V
- L1/L2/L3: LAMPE
- FH1/MH\*: CHAUFFE-CADRE DE PORTES

KUEHLSCHRANK MIT DIGITALER  
KONTROLLEINRICHTUNG

BESCHREIBUNG

- M1: KOMPRESSOR
- M2: VERFLUESSIGERVENTILATOR
- M3/M4: KUEHLRAUM-VENTILATOR
- MP: TEMPERATURREGLER
- MH1/MH2: TÜRPFOSTENHEIZER
- S1: RAUMSENSOR
- U1: TRASFORMATOR 230V/24V
- L1/L2/L3: LED BELEUCHTUNG
- FH1/MH\*: TÜREN RAHMENHEIZUNG



	BACK BAR 2 DOORS	BACK BAR 3 DOORS
M4		X
L3		X
MH2		X