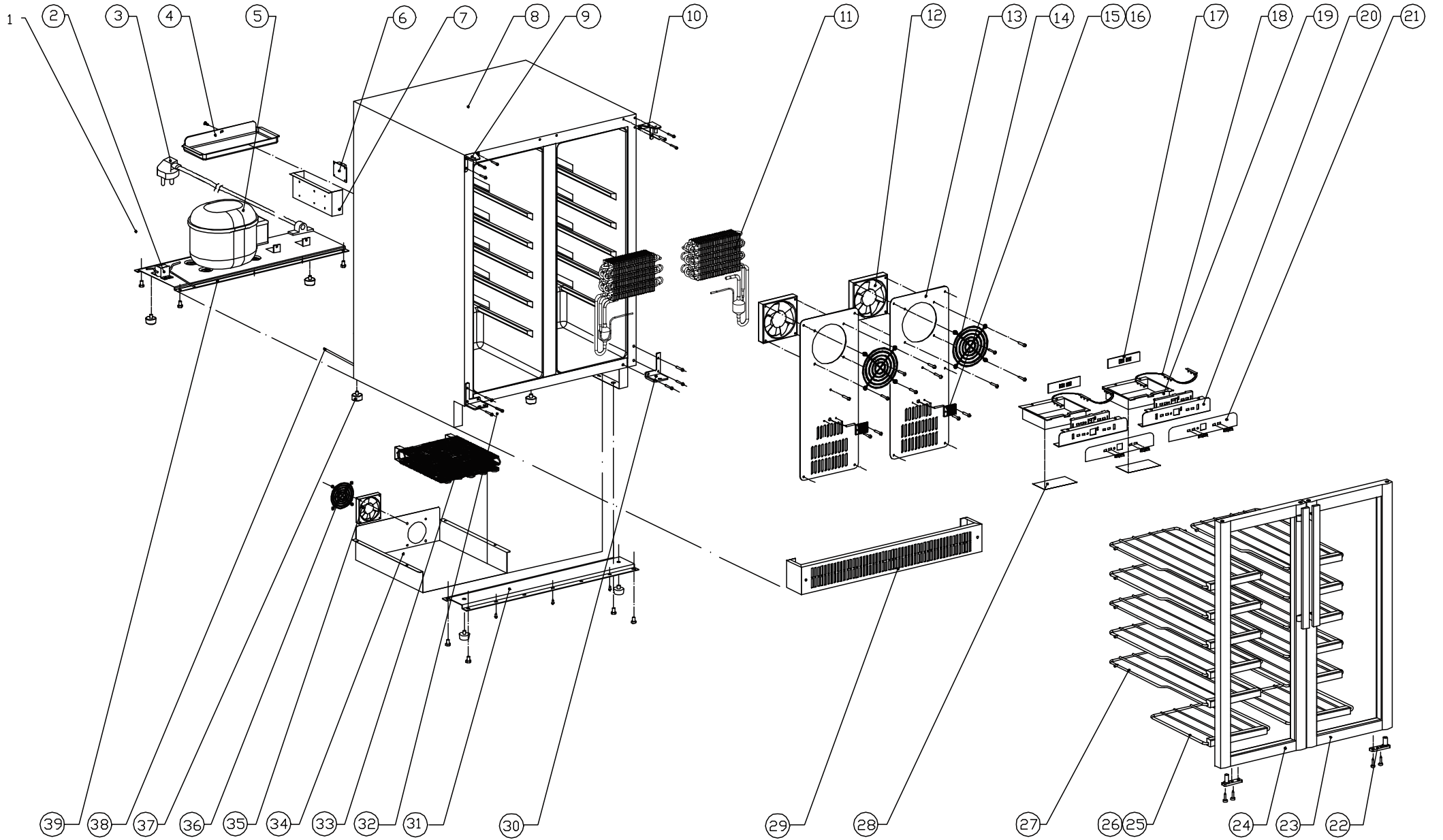


Ersatzteilliste-Explosionszeichnung

Weintemperierschrank **W 38 Compact**

[Art. 477800038]

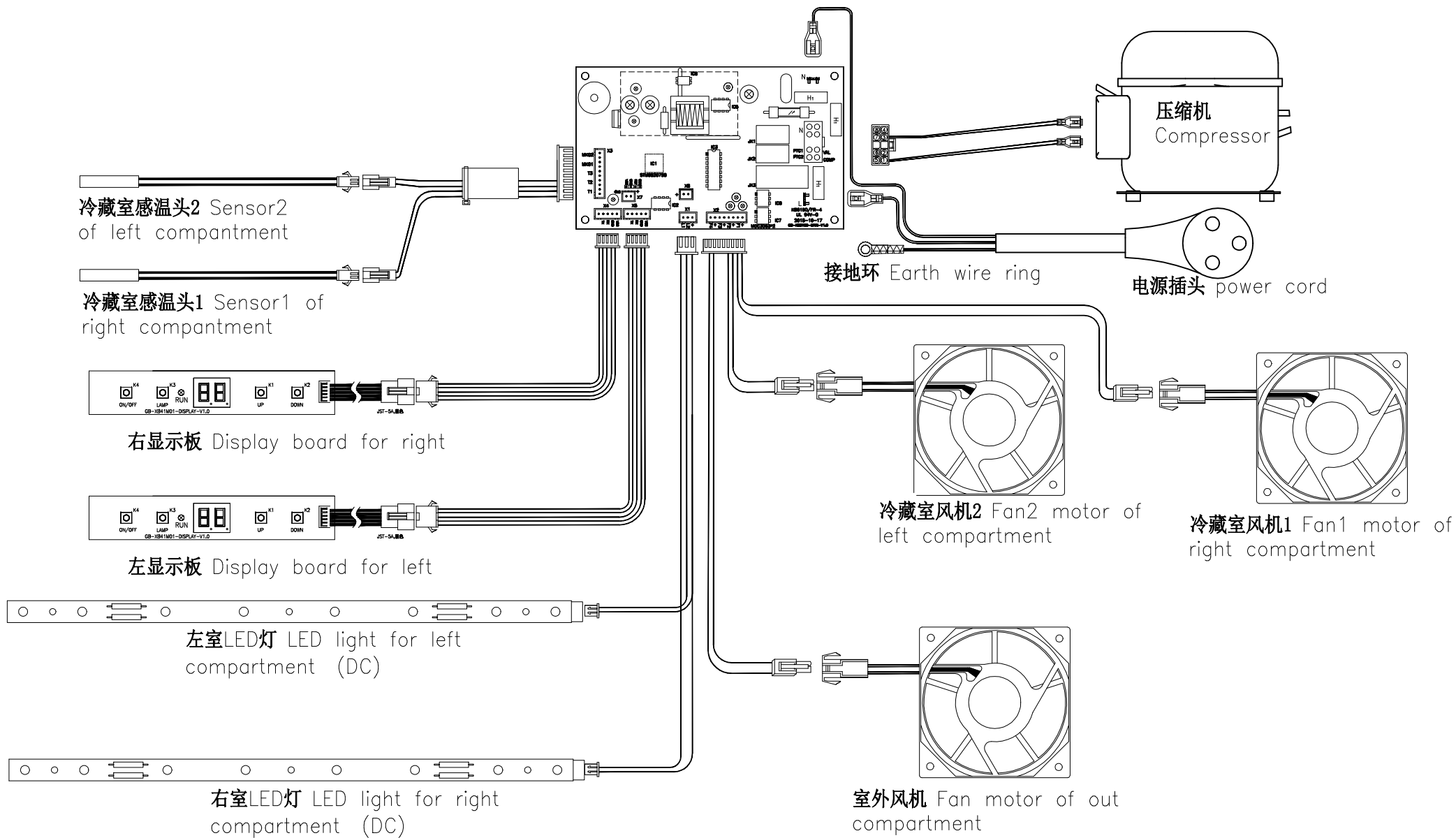




Parts of W38 0-S705001H3030803

Rev.B 2020.02.19

Item	Part No .	Description	Qty	Remark
1	DG11-46	Drier filter	1	
2	DG12-37.1	Refrigerrant valve	1	
3	DG2-2.2	Power cord	1	
4	DG13-403	Water tank	1	
5	DG1-96	Compressor	1	NB1080Y
		Start Device	1	TY-QZ-108/B32-100
		Overload Protector	1	
6	DG3-301-1	PCB board	1	
7	DG22-3334	Setting box	1	
8	DG26-42-3	Cabinet	1	
9	DG14-15.2-BL	Top hinge module (Left)	1	
10	DG14-15.2-BR	Top hinge module (Right)	1	
11	DG12-44-2	Evaporator	2	
12	DG7-47	Evaporator fan	2	
13	DG22-209	Air duct board	2	
14	DG19-6	Fan cover	2	
15	DG13-198	Senser cover	2	
16	DG8-8	Senser	2	
17	DG3-003	Display board	2	
18	DG3-12-W	LED Light	2	
19	DG22-395	Electrical box	2	
20	DG13-354	Panel of electrical box	2	
21	DG20-128	Display panel	2	
22	DG14-116	Door axis	2	
23	DG23-98-1R	Door (Right,vertical handle)	1	
	M130L-002	Gasket	1	
	DG13-284	Handle	1	
24	DG23-98-1L	Door (Left,vertical handle)	1	
	M130L-002	Gasket	1	
	DG13-284	Handle	1	
25	DG15-86	Half shelves	2	
26	DG15-79-2	wooden front trim	12	
27	DG15-85	Full shelve	10	
28	DG13-353	Plastic piee	2	
29	DG22-338	Decorative frame	1	
30	DG14-167-BR	Lower hinge module (Right)	1	
31	DG22-330	Support bracket of front legs	1	
32	DG14-167-BL	Lower hinge module (Left)	1	
33	DG12-91-2	Condenser	1	
34	DG19-9	Condenser cover	1	
35	DG7-47	Condenser fan	1	
	DG17-145-2	Electric wire	1	
36	DG19-3	Fan cover	1	
37	DG13-6.11	Cabinet leg	4	
38	DG12-113	Air-circulating pipe	2	
39	DG22-331	Compressor bracket	1	
Part	DG13-295	Fixing piece	1	



Finanzen/Service
28307 Bremen
Thalendorststraße 15
Tel.+49 421 48557-0
Fax+49 421 488650
bremen@nordcap.de

Vertrieb Ost
12681 Berlin
Wolfener Straße 32/34, Haus K
Tel.+49 30 936684-0
Fax+49 30 936684-44
berlin@nordcap.de

Vertrieb West
40699 Erkrath
Max-Planck-Straße 30
Tel.+49 211 540054-0
Fax+49 211 540054-54
erkrath@nordcap.de

Vertrieb Nord
21079 Hamburg
Großmoorbogen 5
Tel.+49 40 766183-0
Fax+49 40 770799
hamburg@nordcap.de

Vertrieb Süd
55218 Ingelheim
Hermann-Bopp-Straße 4
Tel.+49 6132 7101-0
Fax+49 6132 7101-20
ingelheim@nordcap.de



www.nordcap.de