



SPARE PARTS CATALOGUE  
CATALOGO PARTI DI RICAMBIO

INDUZIONE TOP E700XP  
INDUCTION COOKING TOP E700XP

PNC	Model	Ref	Brand	Notes
371020	E7INED2000	A	ELX	400 MM
371021	E7INEH4000	B	ELX	800 MM
371131	E7INED200N	C	ELX	400 MM-230V
371132	E7INEH400N	D	ELX	800 MM-230V
371175	E7INED200P	E	ELX	HP 400 MM
371176	E7INEH400P	F	ELX	HP 800 MM
372020	Z7INED2000	G	ZAN	400 MM
372021	Z7INEH4000	H	ZAN	800 MM
372131	Z7INED200N	I	ZAN	400 MM-230V
372132	Z7INEH400N	J	ZAN	800 MM-230V
372175	Z7INED200P	K	ZAN	HP 400 MM
372176	Z7INEH400P	L	ZAN	HP 800 MM
373020	A7INED2000	M	OEM	400 MM
373021	A7INEH4000	N	OEM	800 MM
373131	A7INED200N	O	OEM	400 MM-230V
373132	A7INEH400N	P	OEM	800 MM-230V

**Index**

Components / Componenti  
Spare part lists / liste ricambi

**Pag**

2  
3,4

**NOTE:**

**For Art.17,22,23 please refer to Tech.Bulletin PDX2017-01**

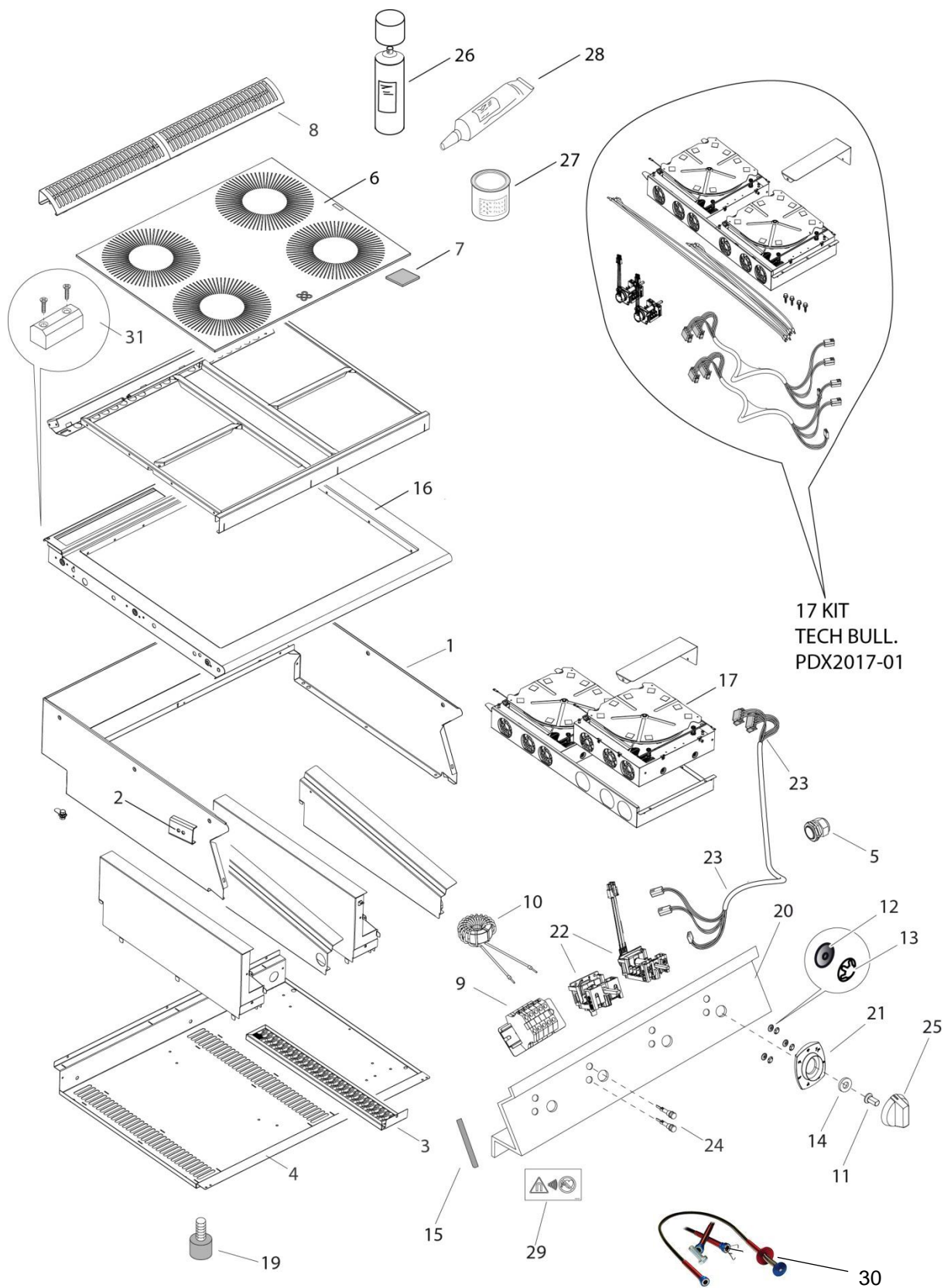
For appliances manufactured before Ser.4341 refer to spc **59785DQ00**.

This spc is related to appliances manufactured From Ser. Nr/ Da Ser. Nr.: 4341

**BOLD: Last Change/ Grassetto= ultima modifica**

From Ser. Nr. 4341 (2014) Up to Ser. Nr.	Ed. document publication . 2018 – 01 Ed. page revision 2018 - 01	Page 1	<b>Doc. N° 59785TD00</b>
---	---	--------	--------------------------

**INDUZIONE TOP E700XP**  
**INDUCTION COOKING TOP E700XP**



**INDUZIONE TOP E700XP**  
**INDUCTION COOKING TOP E700XP**

<i>Pos</i>	<i>Factory Code</i>	<i>Spare Part Code</i>	<i>Descrizione</i>	<i>Description</i>	<i>Ref./Note</i>
1	085089F701	0C8544	FASCIA	PANEL	ELX 400
1	085089F801	0C7536	FASCIA	PANEL	ELX 800
1	085089FA01	0C7268	FASCIA	PANEL	ZAN, OEM 400
1	085089FB01	0C8464	FASCIA	PANEL	ZAN, OEM 800
2	0527850500	0C0156	STAFFA INTERNA UNIONE	INNER JUNCTION BRACKET	
3	085589AR00	0C7191	AIR FILTRO	AIR FILTER	
4	050389Q301	*	FONDO INDUZIONE 400mm	BOTTOM PANEL 400mm	400
4	<b>050389Q403</b>	<b>0CB302</b>	<b>FONDO INDUZIONE 800mm</b>	<b>BOTTOM PANEL 800mm</b>	<b>800</b>
5	0544802400	0C3528	FERMACAVO CON DADO	CABLE STOPPER WITH NUT	
6	0574820400	0C7188	VETROCERAMICA INDUZIONE	GLASS TOP	400
6	0574820300	0C7866	VETROCERAMICA INDUZIONE	GLASS TOP	800
7	0546810400	0C5419	DISTANZIATORE PER VETROCERAMICA	GLASS SPACER	
8	050389LP00	0C7333	GRIGLIA CAMINO	GRATE FOR CHIMNEY	
9	<b>0639808700</b>	<b>0F0035</b>	<b>MORSETTIERA</b>	<b>MAIN TERMINAL BLOCK</b>	<b>C,I,O - 400-230V</b>
9	<b>0639806801</b>	<b>006238</b>	<b>MORSETTIERA</b>	<b>MAIN TERMINAL BLOCK</b>	<b>D,J,P; 800-230V</b>
9	<b>0639808700</b>	<b>0F0035</b>	<b>MORSETTIERA</b>	<b>MAIN TERMINAL BLOCK</b>	<b>A,E,G,K,M, Until Ser. 7051</b>
9	<b>0639808600</b>	<b>0F0112</b>	<b>MORSETTIERA</b>	<b>MAIN TERMINAL BLOCK</b>	<b>B,F,H,L,N Until Ser. 7051</b>
9	<b>0639813900</b>	*	<b>MORSETTIERA 10MMQ</b>	<b>MAIN TERMINAL BLOCK 10MMQ</b>	<b>From Ser. 7061</b>
10	<b>0694806101</b>	*	<b>FILTRO TOROIDE</b>	<b>TOROID FILTER</b>	<b>From Ser. 7061</b>
11	0548877V00	0C7345	ADATTATORE MANOPOLA	KNOB ADAPTER	ELUX
12	0541813800	0C6171	RONDELLA SILICONE	SILICONE WASHER	
13	0218912211	069567	RONDELLA FISSAGGIO GHIERA	ORING STOPPER FOR KNOB RING	
14	<b>0543821000</b>	<b>053816</b>	<b>GUARNIZIONE MANOPOLA</b>	<b>KNOB GASKET</b>	
15	0543821900	0C2496	GUARNIZIONE PER CRUSCOTTO	GASKET, CONTROL PANEL	
16	087089B900	0C7216	RIPIANO INDUZIONE 400mm	TABLE TOP 400mm	ELX
16	087089BA00	0C7872	RIPIANO INDUZIONE 800mm	TABLE TOP 800mm	ELX
16	087089BF00	0C7654	RIPIANO INDUZIONE 400mm	TABLE TOP 400mm	ZAN, OEM
16	087089BG00	0C7655	RIPIANO INDUZIONE 800mm	TABLE TOP 800mm	ZAN, OEM
17	<b>080083AB00</b>	<b>OCA035</b>	<b>GENERATORE FOUCAULT1</b>	<b>GENERATOR FOUCAULT1</b>	<b>3,5KW 400V, A,B,G,H,M,N</b> <b>Until Ser. 7051</b> <b>PDX2017-01</b>
17KIT	<b>083089NA01</b>	<b>0CB041</b>	<b>KIT COMPLETO RETROFIT FOUCAULT2</b>	<b>COMPLETE RETROFIT KIT FOUCAULT2</b>	<b>3,5KW 400V, A,B,G,H,M,N</b> <b>Until Ser. 7051</b> <b>PDX2017-01</b>
17	<b>08308NF00</b>	<b>0CB039</b>	<b>GENERATORE FOUCAULT2</b>	<b>GENERATOR FOUCAULT2</b>	<b>3,5KW 400V, A,B,G,H,M,N</b> <b>FROM Ser 7061</b>
17	<b>080083AA02</b>	<b>OCA029</b>	<b>GENERATORE FOUCAULT1</b>	<b>GENERATOR FOUCAULT1</b>	<b>5KW 400V,</b> <b>E,F,K,L Until Ser. 7051</b> <b>PDX2017-01</b>
17KIT	<b>083089NB01</b>	<b>0CB042</b>	<b>KIT COMPLETO RETROFIT FOUCAULT2</b>	<b>COMPLETE RETROFIT KIT FOUCAULT2</b>	<b>5KW 400V,</b> <b>E,F,K,L Until Ser. 7051</b> <b>PDX2017-01</b>
17	<b>083089NG01</b>	<b>0CB040</b>	<b>GENERATORE FOUCAULT2</b>	<b>GENERATOR FOUCAULT2</b>	<b>5KW 400V,</b> <b>E,F,K,L FROM Ser. 7061</b> <b>PDX2017-01</b>
17	<b>083089DZ00</b>	<b>0C8303</b>	<b>KIT GENERATORE ATICS</b>	<b>KIT ATICS GENERATOR</b>	<b>3,5KW 230V, C,D,I,J,O,P</b>
19	0315252601	026806	PIEDINO CON VITE	SCREW FOOT FOR TOP	
20	085089AZ00	0C7201	CRUSCOTTO INDUZIONE 400mm	CONTROL PANEL 400mm	ELX
20	085589A500	0C7210	CRUSCOTTO INDUZIONE 800mm	<b>CONTROL PANEL 800mm</b>	ELX
20	085089FU00	0C7645	CRUSCOTTO INDUZIONE 400mm	CONTROL PANEL 400mm	ZAN
20	085089FV01	0C7646	CRUSCOTTO INDUZIONE 800mm	CONTROL PANEL 800mm	ZAN
20	0800838200	*	CRUSCOTTO INDUZIONE 400mm	CONTROL PANEL 400mm	OEM
20	0800838300	*	CRUSCOTTO INDUZIONE 800mm	CONTROL PANEL 800mm	OEM

**INDUZIONE TOP E700XP**  
**INDUCTION COOKING TOP E700XP**

<i>Pos</i>	<i>Factory Code</i>	<i>Spare Part Code</i>	<i>Descrizione</i>	<i>Description</i>	<i>Ref./Note</i>
21	0548877C00	0C7176	GHIERA INDUZ ANTERIORE	KNOB RING, FRONTAL INDUCTION	ELX
21	0548877D00	0C7177	GHIERA INDUZ POTERIORE	KNOB RING, REAR INDUCTION	ELX
21	0548879K00	0C7639	GHIERA INDUZ ANTERIORE	KNOB RING, FRONTAL INDUCTION	ZAN, OEM
21	0548879L00	0C7640	GHIERA INDUZ POTERIORE	KNOB RING, REAR INDUCTION	ZAN, OEM
<b>22</b>	<b>0641805800</b>	<b>0C9905</b>	<b>COMMUTATORE GOTTAK FOUCAULT1</b>	<b>SELECTOR GOTTAK FOUCAULT1</b>	<b>A,B,E,F,G,H,K,L,M,N Untill Ser.7051 PDX2017-01</b>
<b>22</b>	<b>0641805G00</b>	<b>0CA934</b>	<b>COMMUTATORE ALTMAN FOUCAULT2</b>	<b>SELECTOR ALTMAN FOUCAULT2</b>	<b>A,B,E,F,G,H,K,L,M,N FROM Ser. 7061 and RETROFIT KIT PDX2017-01</b>
<b>22</b>	<b>0641805700</b>	<b>0C9695</b>	<b>COMMUTATORE GOTTAK ATICS</b>	<b>SELECTOR GOTTAK ATICS</b>	<b>C,D,I,J,O,P 230V</b>
<b>23</b>	<b>0657800600</b>	<b>0CA174</b>	<b>CAVO COMMUTATORE GOTTAK / GENERATORE FOUCAULT1</b>	<b>CABLE SELECTOR GOTTAK / GENERATOR FOUCAULT1</b>	<b>A,B,E,F,G,H,K,L,M,N Untill Ser.7051</b>
<b>23</b>	<b>0657800900</b>	<b>0CA995</b>	<b>CAVO COMMUTATORE ALTMAN / GENERATORE FOUCAULT2 E RETROFIT KIT</b>	<b>CABLE, SELECTOR ALTMAN / GENERATOR FOUCAULT2 AND RETROFIT KIT</b>	<b>A,B,E,F,G,H,K,L,M,N FROM Ser. 7061 PDX2017-01</b>
<b>23</b>	<b>063889AP00</b>	<b>0C9696</b>	<b>CAVO COMMUTATORE / GENERATORE ATICS</b>	<b>CABLE, GOTTAK / GENERATOR ATICS</b>	<b>C,D,I,J,O,P - 230V</b>
24	0660808400	0C9697	LED LUCE VERDE	GREEN LED LAMP	
24	0660808500	0C9698	LED LUCE ROSSA	RED LED LAMP	
25	0548877W00	0C8700	MANOPOLA (CON ADATTATORE)	KNOB	ELX
25	0548878201	0C7232	MANOPOLA	KNOB	ZAN
25	0548865500	0A5621	MANOPOLA	KNOB	OEM
26	0151098052	088314	DETERGENTE REINIGER	CLEANER REINEGER	
27	0147098057	088313	PRIMER 1015 PACTAN	PRIMER 1015 PACTAN	
28	0147098058	0C0074	SILICONE	SILICONE	
29	0598849200	0C0024	TARGHETTA PACE MAKER	PACEMAKER STICKER	
30	FM9300	0ST068	ASTA PRENDITUTTO CON CALAMITA	GRABBER WITH MAGNET	
31	0516860702	0C0137	PIASTRA GIUNZIONE APPARECC.	JOINTING REAR PLATE	
31*	0217013405	0C8694	VITE M5X40MM	SCREW M5X40MM	