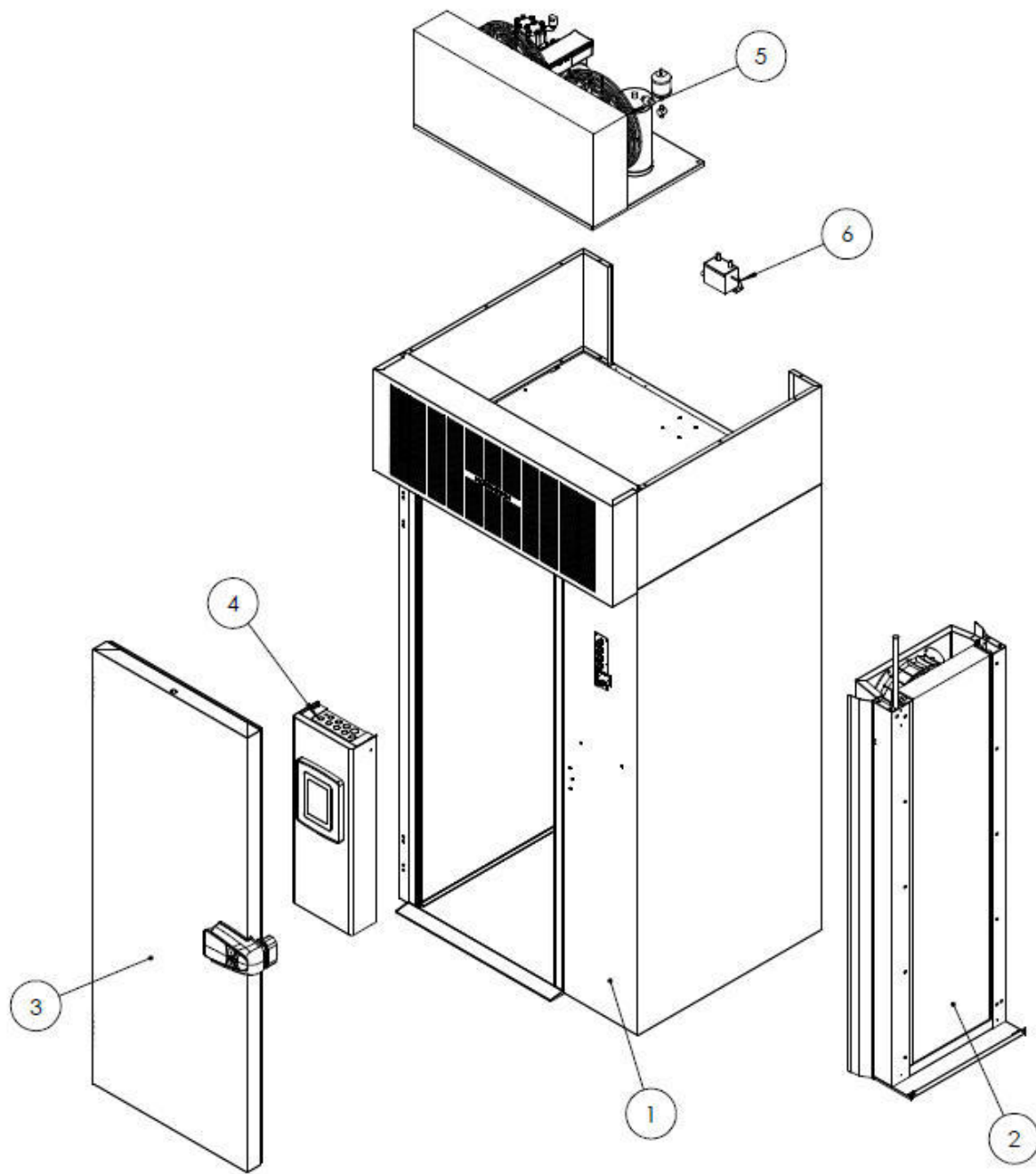


# Ersatzteilliste-Explosionszeichnung

## Schnellkühler / Schockfroster **SKF 20 GN 1/1**

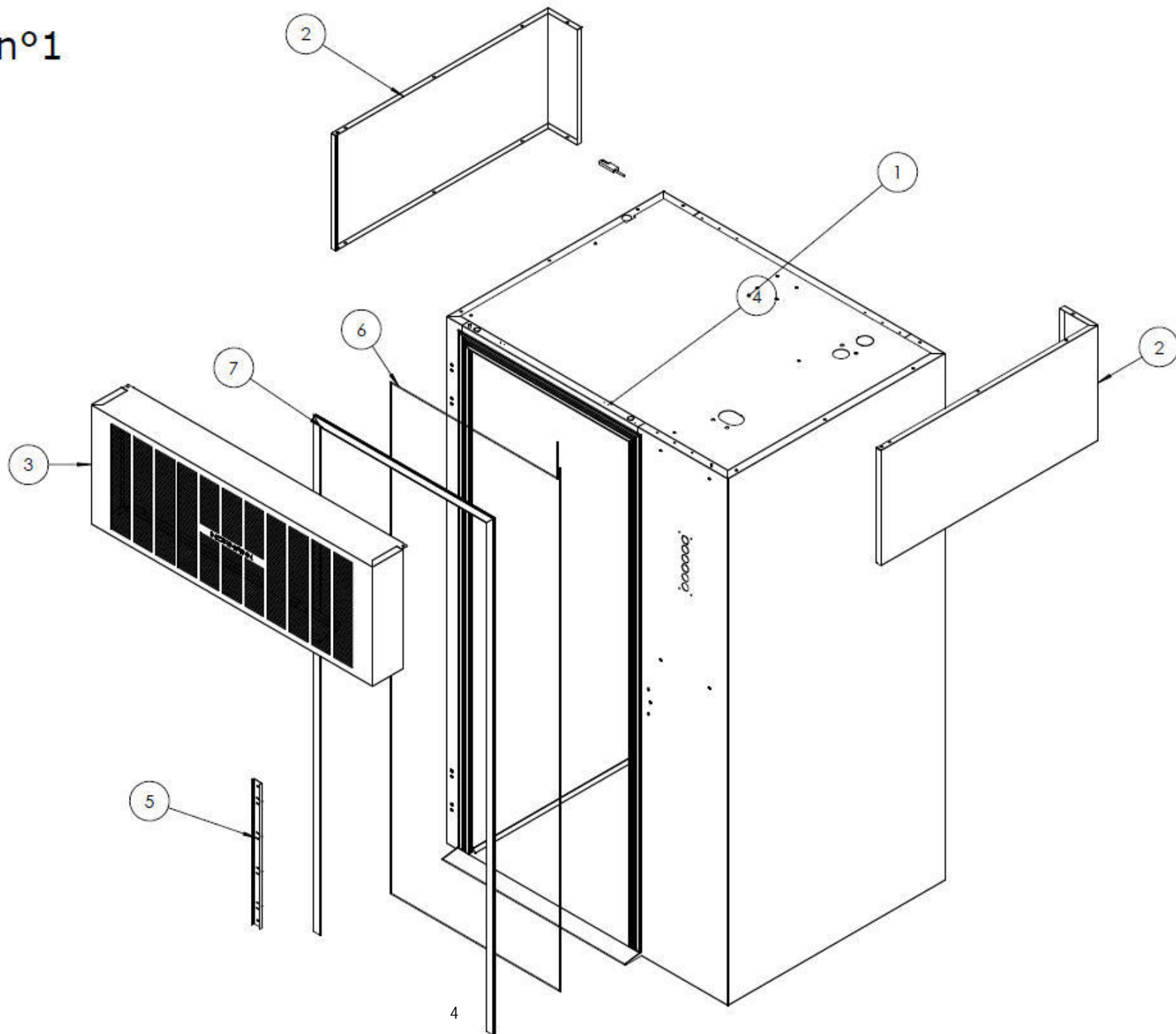
[Art. 433000001]





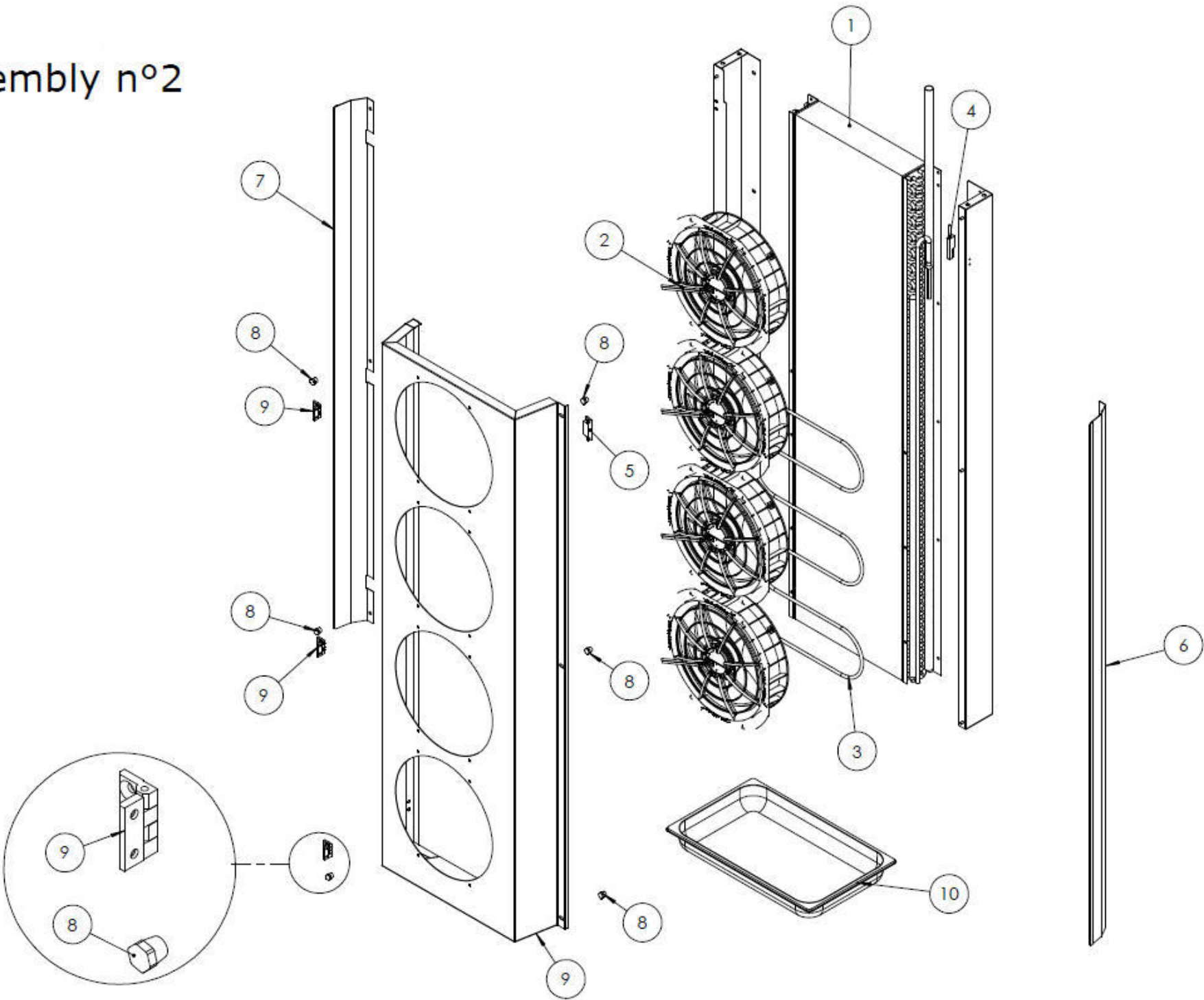
Position	Spare part Code	Description
1	-	Body sub-assembly
2	-	Evaporator group sub-assembly
3	-	Door sub-assembly
4	-	Electric board sub-assembly
5	-	Condensing unit sub-assembly
6	<b>R240200001</b>	Ozone generator

# Subassembly n°1



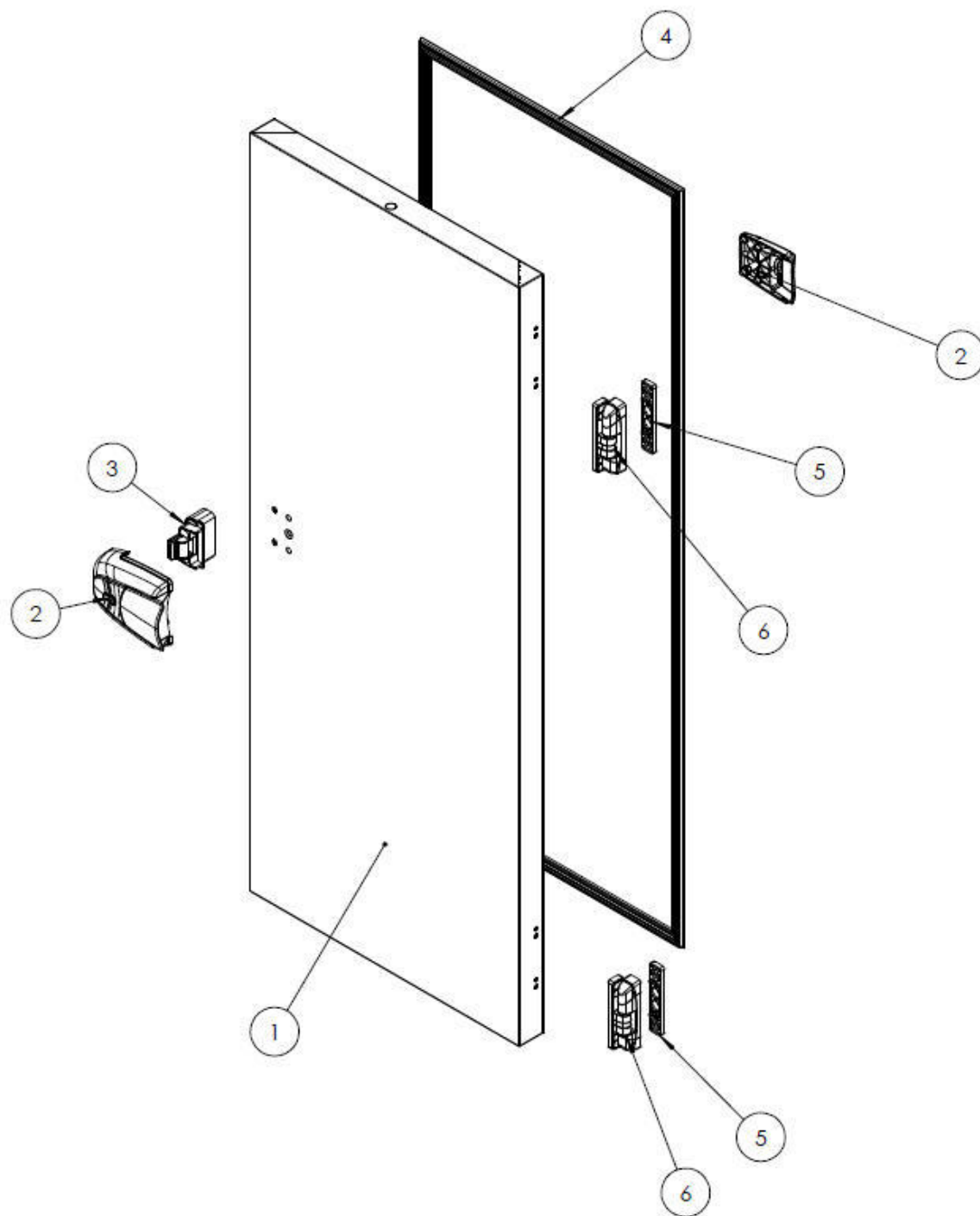
<b>Position</b>	<b>Spare part Code</b>	<b>Description</b>
<b>1</b>	<b>R450700001</b>	Nortech 20 body
<b>2</b>	<b>R150300001</b>	Technical compartment side cover
<b>3</b>	<b>R150300002</b>	Technical compartment front panel
<b>4</b>	<b>R211700001</b>	Magnetic sensor
<b>5</b>	<b>R400000001</b>	Probe holder
<b>6</b>	<b>R210200003</b>	Door heater
<b>7</b>	<b>R400000002</b>	Frames kit

# Subassembly n°2



Position	Spare part Code	Description
1	R220200001	Evaporator
2	R210100001	Evaporator fan
3	R210200004	Defrost heater
4	R211700001	Magnetic sensor
5	R230400001	Magnet
6	R150700001	Deflector right
7	R150700002	Deflector left
8	R250500001	Fan holder knob
9	R230000001	Fan holder hinge
10	R230600001	Drip Pan

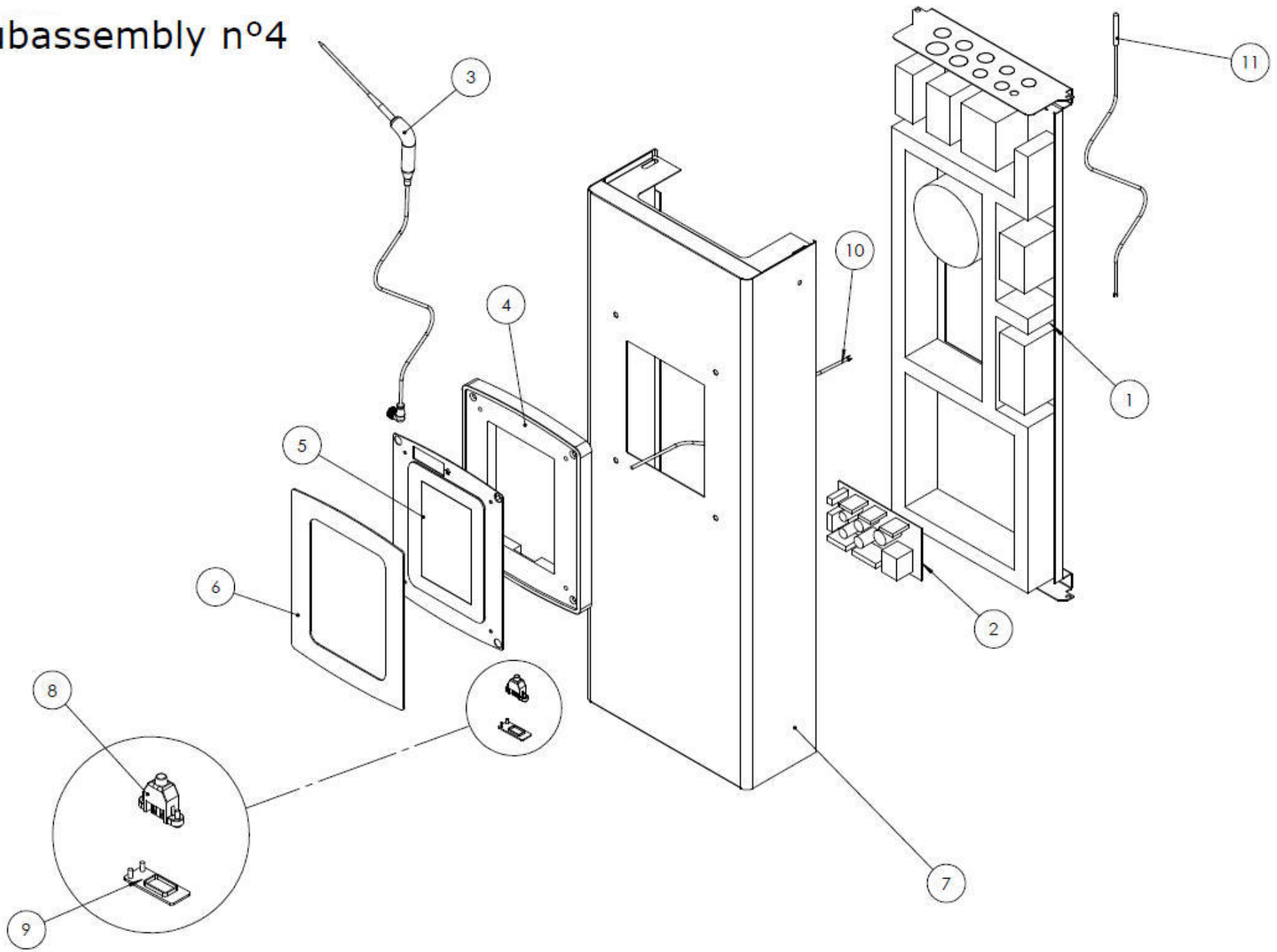
# Subassembly n°3





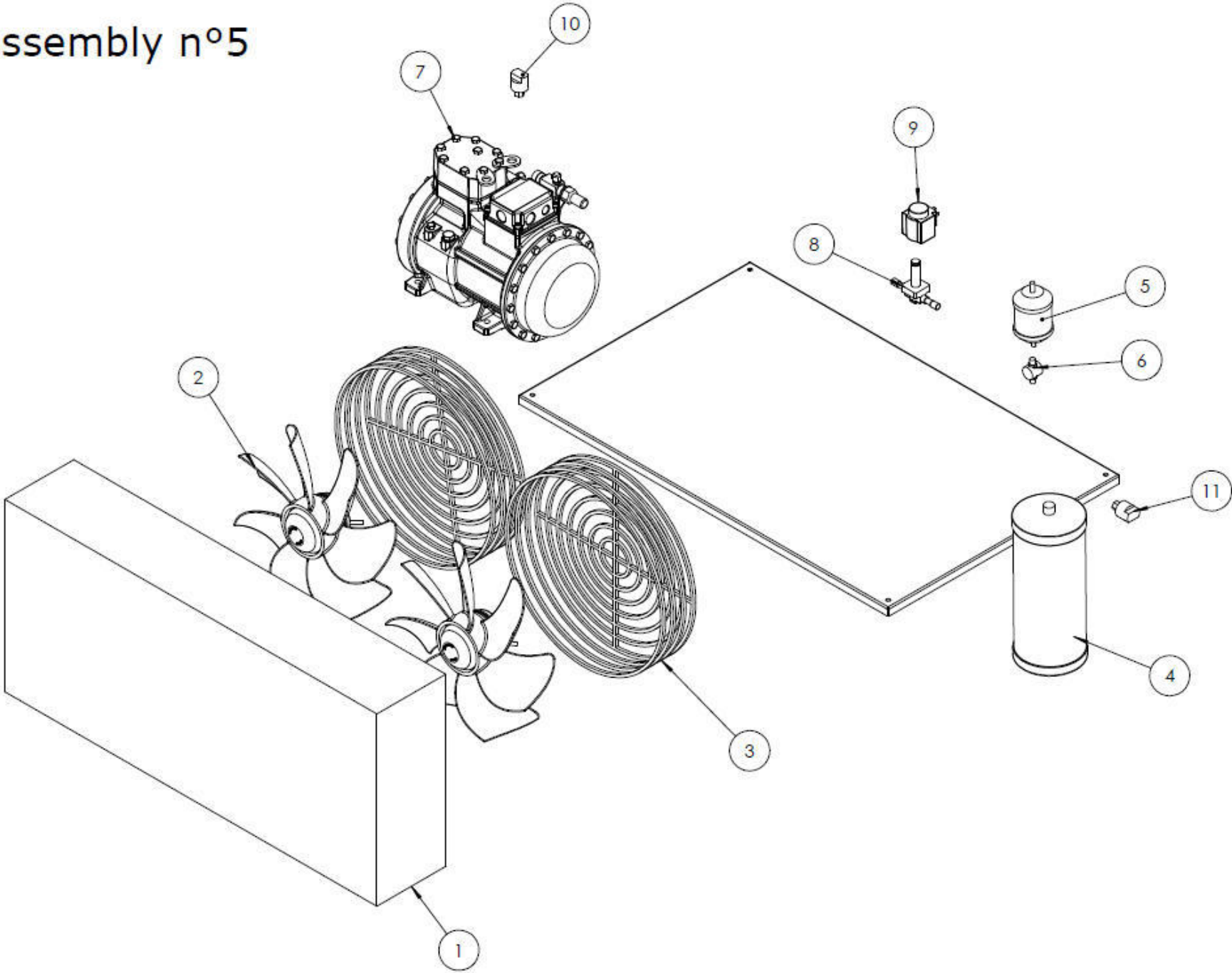
Position	Spare part Code	Description
1	R450700002	Door
2	R400000003	Door closure Kit
3	R230600002	Latch element
4	R250300001	Door gasket
5	R230600003	Hinge spacer
6	R230600004	Hinge

# Subassembly n°4



<b>Position</b>	<b>Spare part Code</b>	<b>Description</b>
<b>1</b>	<b>R400700001</b>	Electric Board
<b>2</b>	<b>R240000001</b>	Controller base board
<b>3</b>	<b>R240100001</b>	Heated probe
<b>4</b>	<b>R251100001</b>	Frame Keyboard
<b>5</b>	<b>R400000004</b>	LCD Keyboard
<b>6</b>	<b>R251200001</b>	Label
<b>7</b>	<b>R150300003</b>	Front panel
<b>8</b>	<b>R211500001</b>	USB connector
<b>9</b>	<b>R211500002</b>	USB Cap
<b>10</b>	<b>R240400001</b>	Cable Keyboard-Motherboard
<b>11</b>	<b>R240100002</b>	Air probe

# Subassembly n°5



Position	Spare part Code	Description
1	R220400001	Condenser
2	R210100002	Condenser fan
3	R250700001	Condenser fan grid
4	R220500001	liquid receiver
5	R220600001	Filter
6	R220700001	Sight glass
7	R221000001	Compressor
8	R220800001	Solenoid valve
9	R221500001	Coil
10	R221200001	Low pressure switch
11	R221200002	High pressure switch