

Ersatzteilliste-Explosionszeichnung

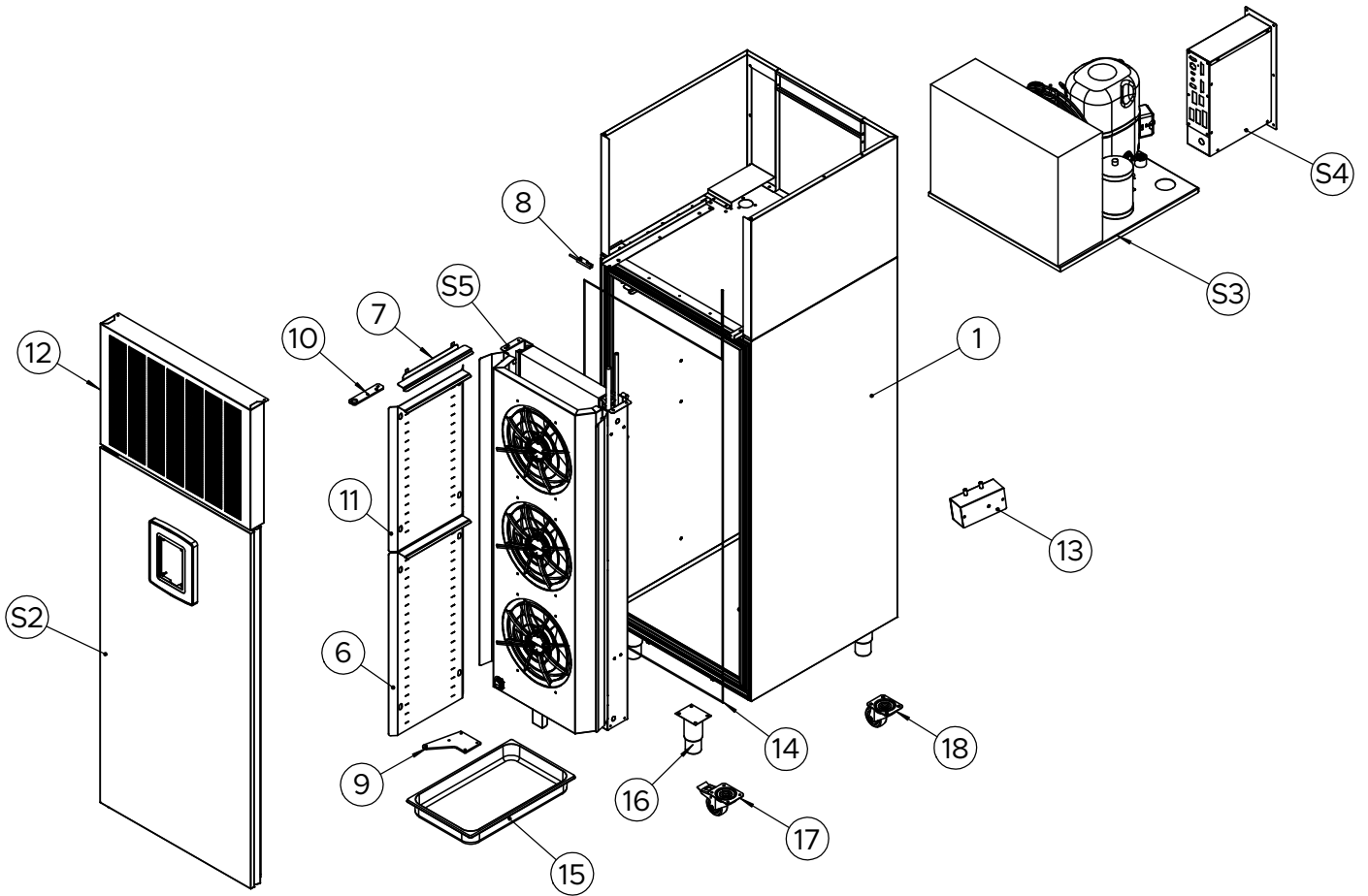
Schnellkühler / Schockfroster **SKF 18 GN 1/1**

[Art. 433000007]



18

General Subassembly

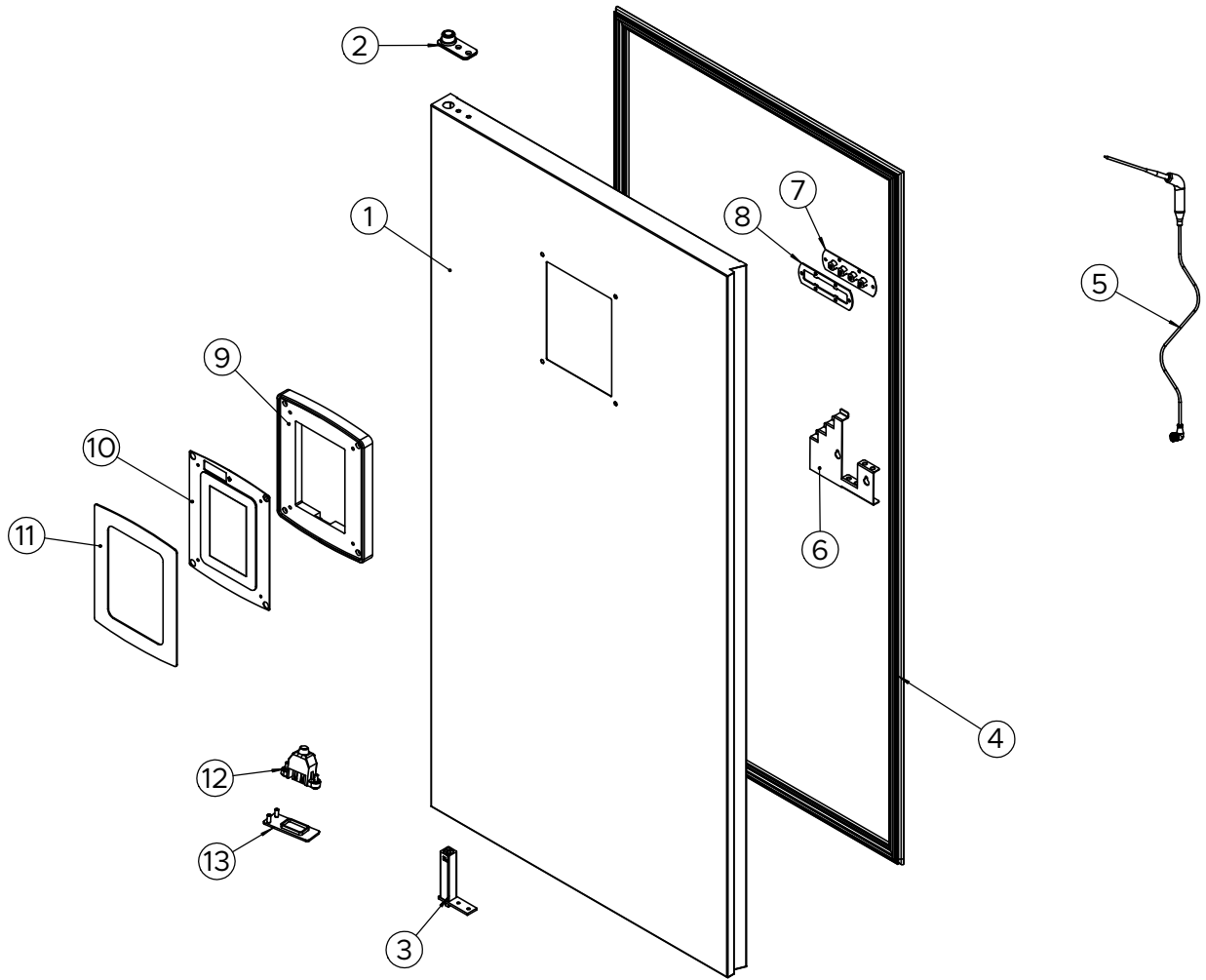


General Subassembly components list

| POSITION | SPARE PART CODE | DESCRIPTION |
|----------|-----------------|--------------------------------------|
| 1 | R450700028 | Body |
| 6 | R150700003 | Trays holder N10 |
| 7 | R150700001 | Guides for GN 1/1 and EN 60x40 trays |
| 8 | R211700002 | Door Magnetic sensor with connector |
| 9 | R150700030 | Lower hinge support |
| 10 | R150700029 | Upper hinge support |
| 11 | R150700028 | Trays holder N18 |
| 12 | R150300023 | Front panel |
| 12 | R150300024 | Front panel Nordcap |
| 13 | R240200002 | Ozone generator assembly |
| 14 | R210200013 | Door Heater 24V |
| 15 | R230600001 | Collecting tray GN1/1 H65 Poly |
| 16 | R230500001 | Adjustable Foot |
| 17 | R230500006 | Wheel ø100 with brake |
| 18 | R230500005 | Wheel ø100 without brake |

18

Door Subassembly

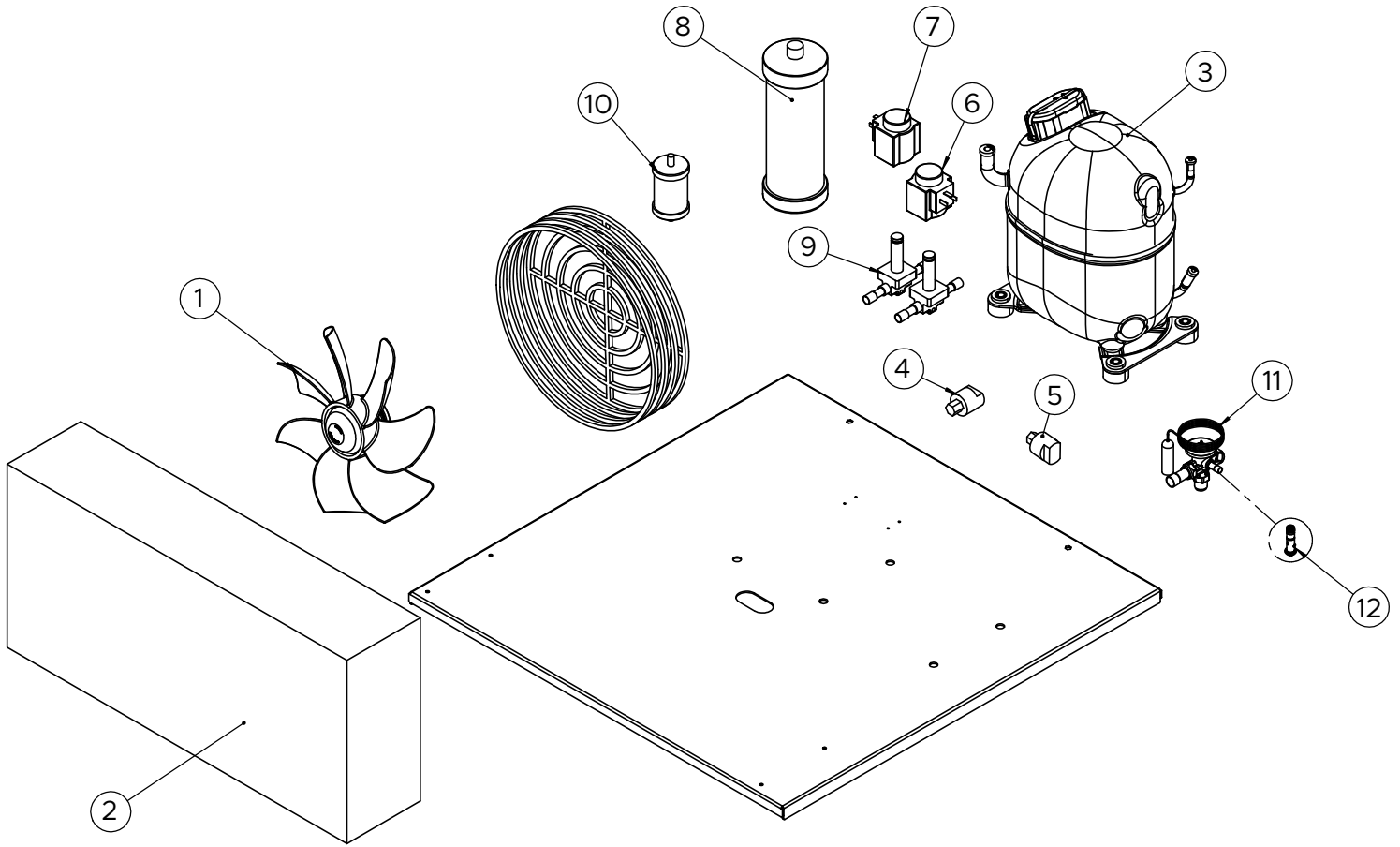


Door components list

| POSITION | SPARE PART CODE | DESCRIPTION |
|----------|-----------------|-------------------------------|
| 1 | R450700029 | Door |
| 2 | R251100002 | Lower hinge plate |
| 3 | R230900001 | Upper hinge |
| 4 | R250300017 | Door gasket |
| 5 | R240100001 | Heated mutipoint probe 1500mm |
| 6 | R150700004 | Probe holder |
| 7 | R211500003 | Probe connector |
| 8 | R250300003 | Probe connector gasket |
| 9 | R251100001 | Keyboard frame Black |
| 10 | R400000005 | LCD keyboard |
| 11 | R251200001 | Magnetic label Nordcap |
| 11 | R2512 00002 | Magnetic label |
| 12 | R211500001 | USB Connector |
| 13 | R211500002 | USB Cap |

18

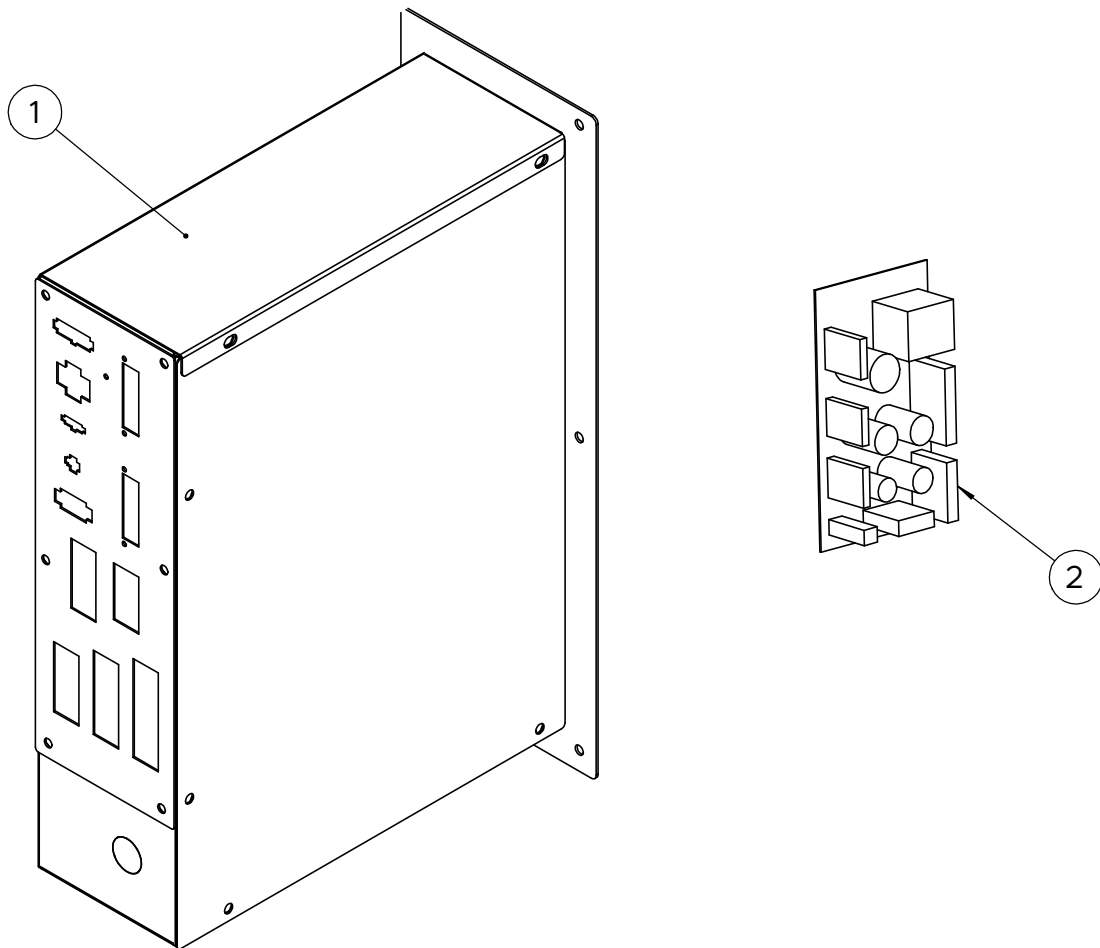
Condensed Unit Subassembly



Condensed Unit components list

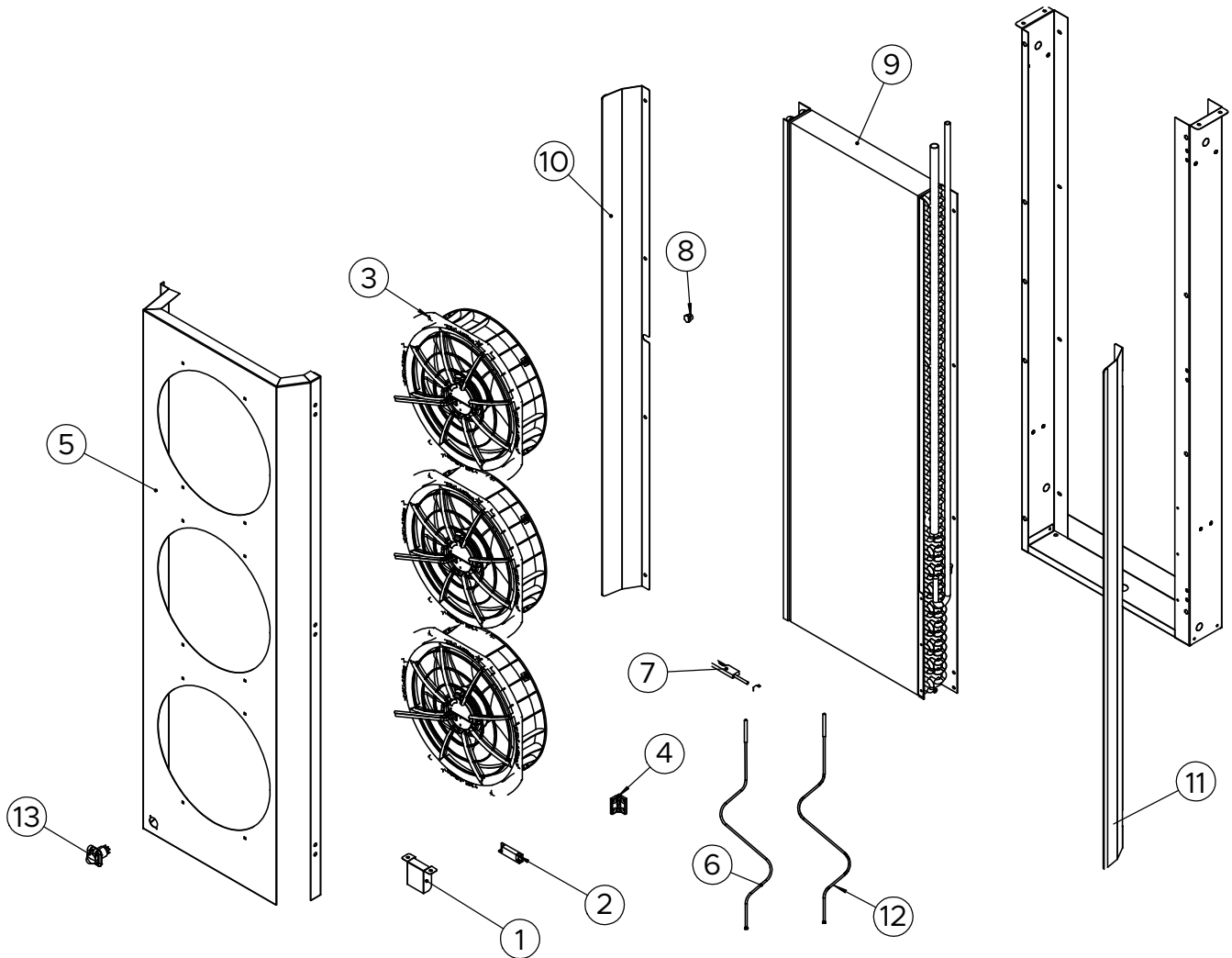
| POSITION | SPARE PART CODE | DESCRIPTION |
|----------|-----------------|-------------------------------------|
| 1 | R210100003 | Condenser fan |
| 2 | R220400002 | Condenser |
| 3 | R221000006 | Compressor TAG2516Z |
| 4 | R221200001 | High pressure switch |
| 5 | R221200002 | Low pressure switch |
| 6 | R290100001 | Defrosting Solenoid coil 24V |
| 7 | R290100002 | Solenoid coil 230V |
| 8 | R220500001 | Liquid receiver |
| 9 | R220600006 | Filter |
| 10 | R290100003 | Solenoid valve 10mm |
| 11 | R220300003 | Danfoss thermostatic valve 068Z3549 |
| 12 | R220300007 | Danfoss Orifice 03 |

Electric Board Subassembly



| Electric Board components list | | |
|--------------------------------|-----------------|-----------------------|
| POSITION | SPARE PART CODE | DESCRIPTION |
| 1 | R400700002 | Electric board |
| 2 | R240000001 | Controller base board |

Fan & Evaporator support Subassembly



Fan & Evaporator support components list

| POSITION | SPARE PART CODE | DESCRIPTION |
|----------|-----------------|---|
| 1 | R150700026 | Tray retainer |
| 2 | R230400001 | Magnet for sensor |
| 3 | R210100002 | Evaporator fan \varnothing 300 with connector |
| 4 | R230000001 | Fan holder hinge |
| 5 | R150400015 | Fan support |
| 6 | R240100004 | Evap Probe with red connector |
| 7 | R211700003 | Evap Door Magnetic sensor with connector |
| 8 | R250500001 | Fan holder knob |
| 9 | R220200010 | Evaporator |
| 10 | R150700031 | Left deflector |
| 11 | R150700032 | Right deflector |
| 12 | R240100005 | Air Probe with blue connector |
| 13 | R211500004 | Ozone sterilizer connector |

NordCap GmbH & Co. KG
Thalendorststraße 15
28307 Bremen
Hauptsitz (Service, Finanzen & Personal, Lager, IT, Marketing)

Telefon: +49 421 48557-0
Telefax: +49 421 488650
E-Mail: bremen@nordcap.de

Die NordCap Verkaufsniederlassungen in Deutschland:

Nord: Hamburg • Ost: Berlin • Süd: Ingelheim • West: Erkrath

