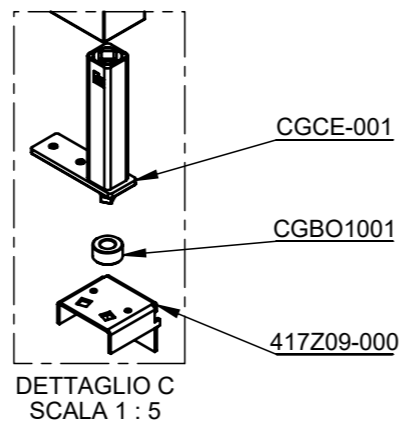
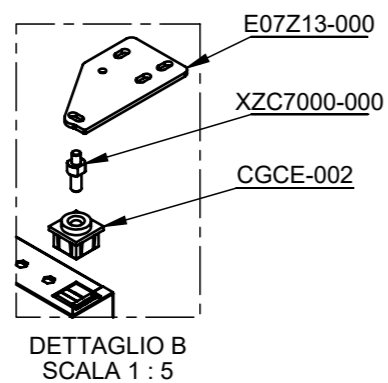
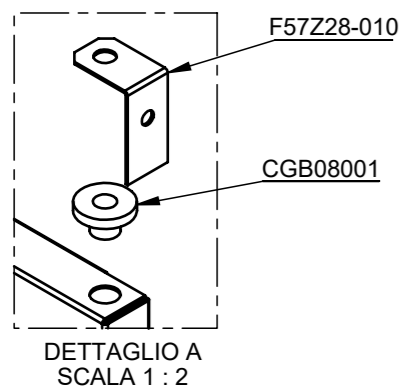
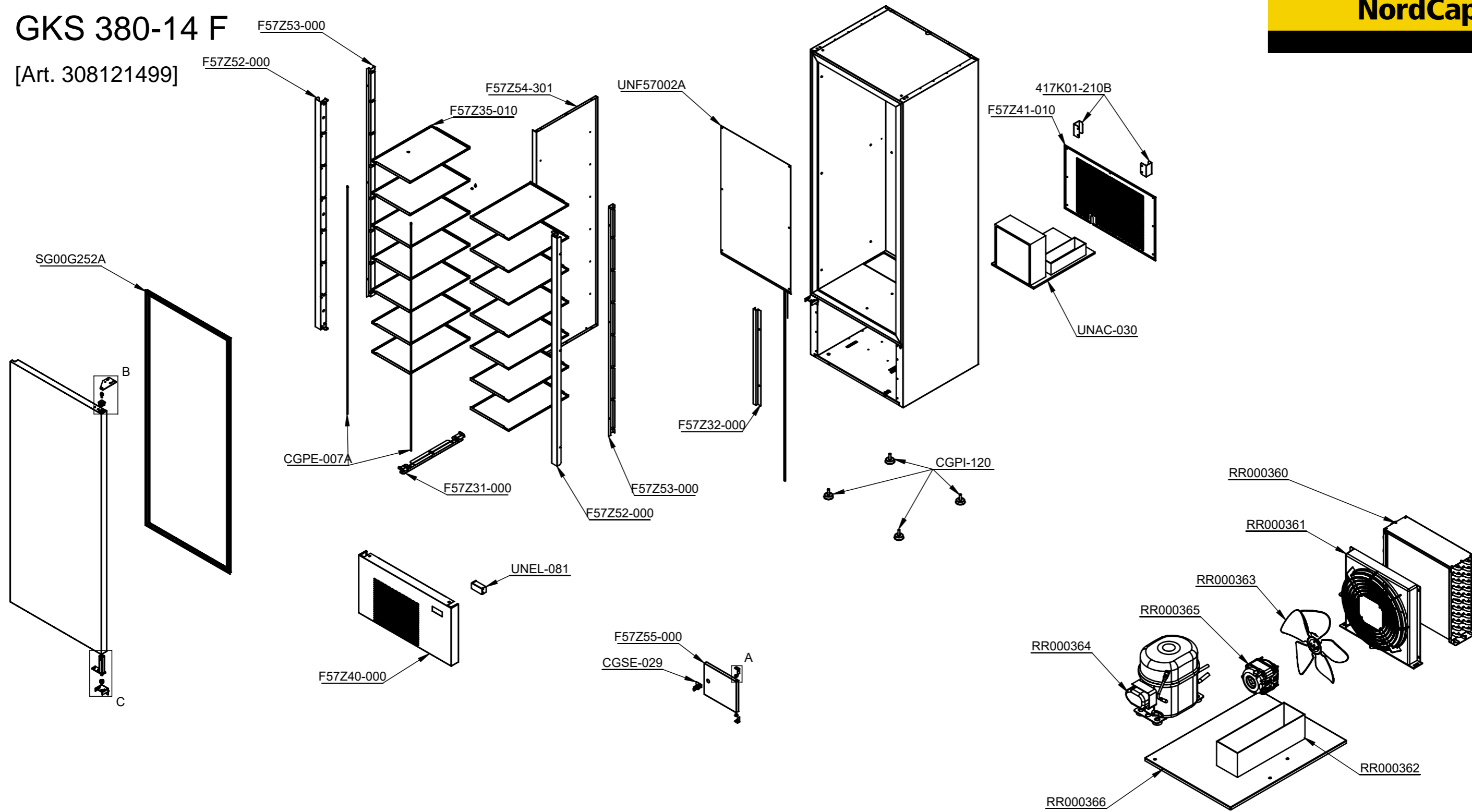


GKS 380-14 F

[Art. 308121499]



DRAWING F57K03*H04				
Part number	German description	English description	Italian description	
F57Z28*010	TÜRSCHARNIERHALTERUNG INNEN 380-(8-10-12-14)	INTERNAL DOOR HINGES BRACKET 380-(8-10-12-14)	STAFFA CERN. SPORTELLO INT. 380-(8-10-12-14)	
CGB08001	ISOLIERBUCHSE 6.5x16.9 PA66	INSULATING BUSH 6.5x16.9 PA66	BOCCOLA ISOLANTE 6.5x16.9 PA66	
E07Z13*000	UNTERE SCHARNIERHALTERUNG RECHTS-LINKS MIT EINSTELLBAREM STIFT	LOWER HINGE BRACKET RIGHT-LEFT WITH ADJUSTABLE PIN	STAFFA CERNIERA INF. DX-SX CON REGOL. PERNO TAV.	
XZC7000*000	GEWINDESTIFT FÜR SCHARNIERHALTER	THREADED PIN FOR HINGE BRACKET	PERNO FILET. PER STAFFA CERN. INF. CON REGOL. TAV.	
CGCE*002	ZAPFEN FÜR SCHARNIERE TO601	CAP FOR HINGES TO601	TAPPO PER CERNIERA TO601	
CGCE*001	LANGSTIFTBAND OHNE HALTERUNG CT4000E	LONG PIN HINGE WITHOUT STOPPER CT4000E	CERNIERA PERNO LUNGO S/FER. CT4000E	
CGBO1001	TEFLON BUCHSE D10x20x10H	TEFLON BUSH D10x20x10H	BOCCOLA DIST. D10x20x10H TEFLON	
417Z09*000	UNTERE SCHARNIERHALTERUNG RECHTS - LINKS	LOWER HINGE BRACKET RIGHT - LEFT	STAFFA CERNIERA INFERIORE DX-SX	
SG00G252A	DREIPOLIGE DICHTUNG 013 0588x1444	TRIPOLAR SEAL 013 0588x1444	GUARNIZ. 013 0588x1444 TRIPOLARE	
UNEL*081	TELETERMOMETER EVCO mod. EV3 X21 N7	TELETERMOMETER EVCO mod. EV3 X21 N7	TELETERM. EVCO mod. EV3 X21 N7	
F57Z40*000	FRONT PANEL 90° 380 MULTIBOX	FRONT PANEL 90° 380 MULTIBOX	CRUSC. 90° 380 MULTIBOX	
F57Z52*000	VORDERE ZAHNSTANGE RECHTS-LINKS 380-08 MULTIBOX	FRONT RACK RIGHT - LEFT 380-08 MULTIBOX	CREMAGLIERA ANT. DX-SX 380-14 ARM. MULTIBOX	
F57Z53*000	HINTERE ZAHNSTANGE RECHTS-LINKS 380-08 MULTIBOX	REAR RACK RIGHT - LEFT 380-08 MULTIBOX	CREMAGLIERA POST. DX-SX 380-14 ARM. MULTIBOX	
F57Z54*301	INNERE SCHEIDEWAND 380-14 MULTIBOX	INTERNAL BULKHEAD 380-14 MULTIBOX	PARATIA INTERNA 380-14 ARM. MULTIBOX	
CGPE*007A	EDELSTAHL STIFT /BOLZEN Ø 6 mm L=1415	S/STEEL PIN Ø 6 mm L=1415	PERNO Ø 6 mm L=1415 INOX	
F57Z35*010	SERVIERBRETT 380-(8-10-12-14) MULTIBOX	TRAY 380-(8-10-12-14) MULTIBOX	VASSOIO 380-(8-10-12-14) ARM. MULTIBOX	
F57Z31*000	SCHIENE UNTERSTÜTZUNG ZUR UNTEREN ABLAGE	LOWER TRAY SUPPORT GUIDE	GUIDA SUPPORTO VASSOIO INFERIORE	
UNF57002A	VERDAMPFER ROLL BOND 400LT	EVAPORATOR ROLL BOND 400LT	ROLL BOND ARM. 400LT	
F57Z32*000	RÜCKSEITEABDECKUNG	BACK COVER	CANALINA COPERTURA SCHIENA	
CGPI*120	VERSTELLBARE FÜSSE M10XH = 50 mm FARBE SCHWARZ	ADJUSTABLE FEET M10XH = 50 mm BLACK COLOUR	PIEDINO REGOLABILE M10XH=50 mm COLORE NERO	
417K01*210B	HINTERE ABSTANDSHALTER H = 40mm	REAR SPACER H = 40mm	DISTANZIALE POSTERIORE H=40mm	
F57Z41*010	HINTERE PANEL 400 LT	BACK PANEL 400 LT	PANN. POSTER. VANO M. ARM. 400lt	
F57Z55*000	TÜRE 380-14 MULTIBOX	DOOR 380-14 MULTIBOX	SPORTELLO 380-14 ARM. MULTIBOX	
CGSE*029	SCHLOß G5C01KD1 HEBEL269ZB	LOCK G5C01KD1 LEVER269ZB	SERRATURA G5C01KD1 LEVA269ZB	
UNAC*030	Stückliste	Bom :	Distinta Base:	
RR000366	GRUNDLAGE FÜR EINHEIT	BASE UNIT	BASE GRUPPO	
RR000360	VERFLÜSSIGER 10T3R24TU DIAM.7 3RX230 UL	CONDENSER 10T3R24TU DIAM.7 3RX230 UL	CONDENSATORE 10T3R24TU DIAM.7 3RX230 UL	
RR000365	MOTOR 10W FA	MOTOR 10W FA	MOTORE 10W FA	
RR000361	LÜFTERGITTER D-90481 Durchmesser 230	PLASTIC FAN GUARD D-90481 DIAM 230	PLASTIC FAN GUARD D-90481 GRIGLIA VENTILATORE DIAM 230	
RR000363	ELICOIDAL LÜFTER DUCHMESSER 230-25 AUS KUNSTSTOFF	ELICOIDAL FAN D.230-25 PLAST.	VENTOLA ELICOIDALE D.230-25 PLAST.	
RR000364	HERMETISCHER MOTOR EMT 6160Z	HERMETIC MOTOR EMT 6160Z	MOTORE ERM. EMT 6160Z	
RR000362	ABS-VERDAMPFUNGSBECKEN	EVAPORATING ABS BASIN	VASCHETTA EVAPORANTE IN ABS	