

Ersatzteilliste-Explosionszeichnung

Induktionsherd IHEC-3P / 1ZDI

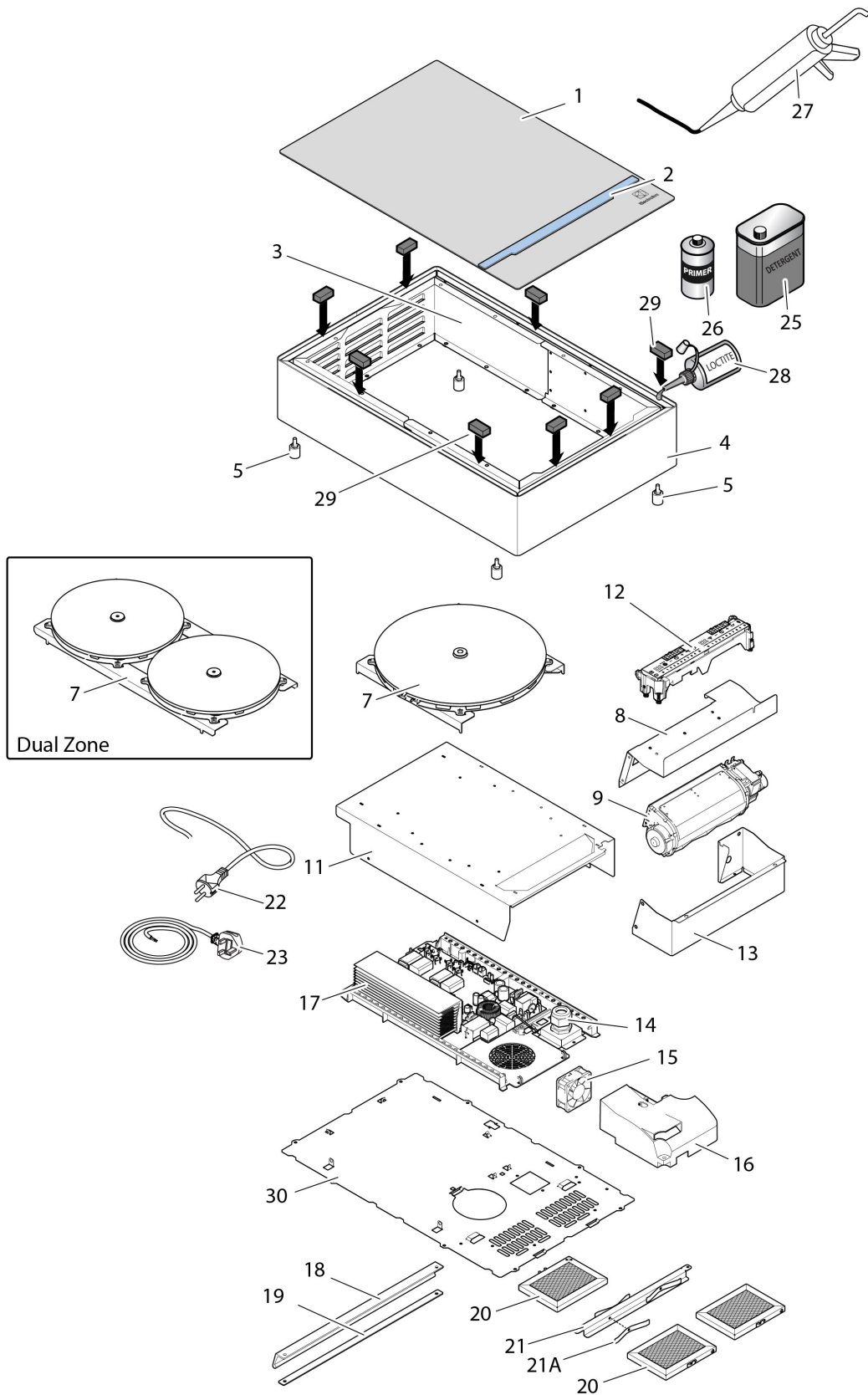
[Art. 406600894]



INDUCTION HOB LIBERO LINE, SINGLE/DOUBLE ZONE

PNC	MODEL	Ref	BRAND	VERSION	NOTES
600890	HOB - DZ	A	ZAN	DROP IN	220-240V 1N 50/60HZ 3500W
600878	HOB - DZ	B	ELUX	DROP IN	220-240V 1N 50/60HZ 3500W
600902	HOB - DZ	C	ELUX UK	DROP IN	220-240V 1N 50/60HZ 3000W
600879	HOB - DZ	D	ELUX	STAND ALONE	220-240V 1N 50/60HZ 3500W
600891	HOB - DZ	E	ZAN	STAND ALONE	220-240V 1N 50/60HZ 3500W
600903	HOB - DZ	F	ELUX UK	STAND ALONE	220-240V 1N 50/60HZ 3000W
600876	HOB - SZ	G	ELUX	DROP IN	220-240V 1N 50/60HZ 3500W
600888	HOB - SZ	H	ZAN	DROP IN	220-240V 1N 50/60HZ 3500W
600900	HOB - SZ	I	ELUX UK	DROP IN	220-240V 1N 50/60HZ 3000W
600877	HOB - SZ	J	ELUX	STAND ALONE	220-240V 1N 50/60HZ 3500W
600889	HOB - SZ	K	ZAN	STAND ALONE	220-240V 1N 50/60HZ 3500W
600901	HOB - SZ	L	ELUX UK	STAND ALONE	220-240V 1N 50/60HZ 3000W
600882	HOB - SZ	M	ELUX	DROP IN	380-415V ~3 50/60HZ 5000W
600894	HOB - SZ	N	ZAN	DROP IN	380-415V ~3 50/60HZ 5000W
600883	HOB - SZ	O	ELUX	STAND ALONE	380-415V ~3 50/60HZ 5000W
600895	HOB - SZ	P	ZAN	STAND ALONE	380-415V ~3 50/60HZ 5000W

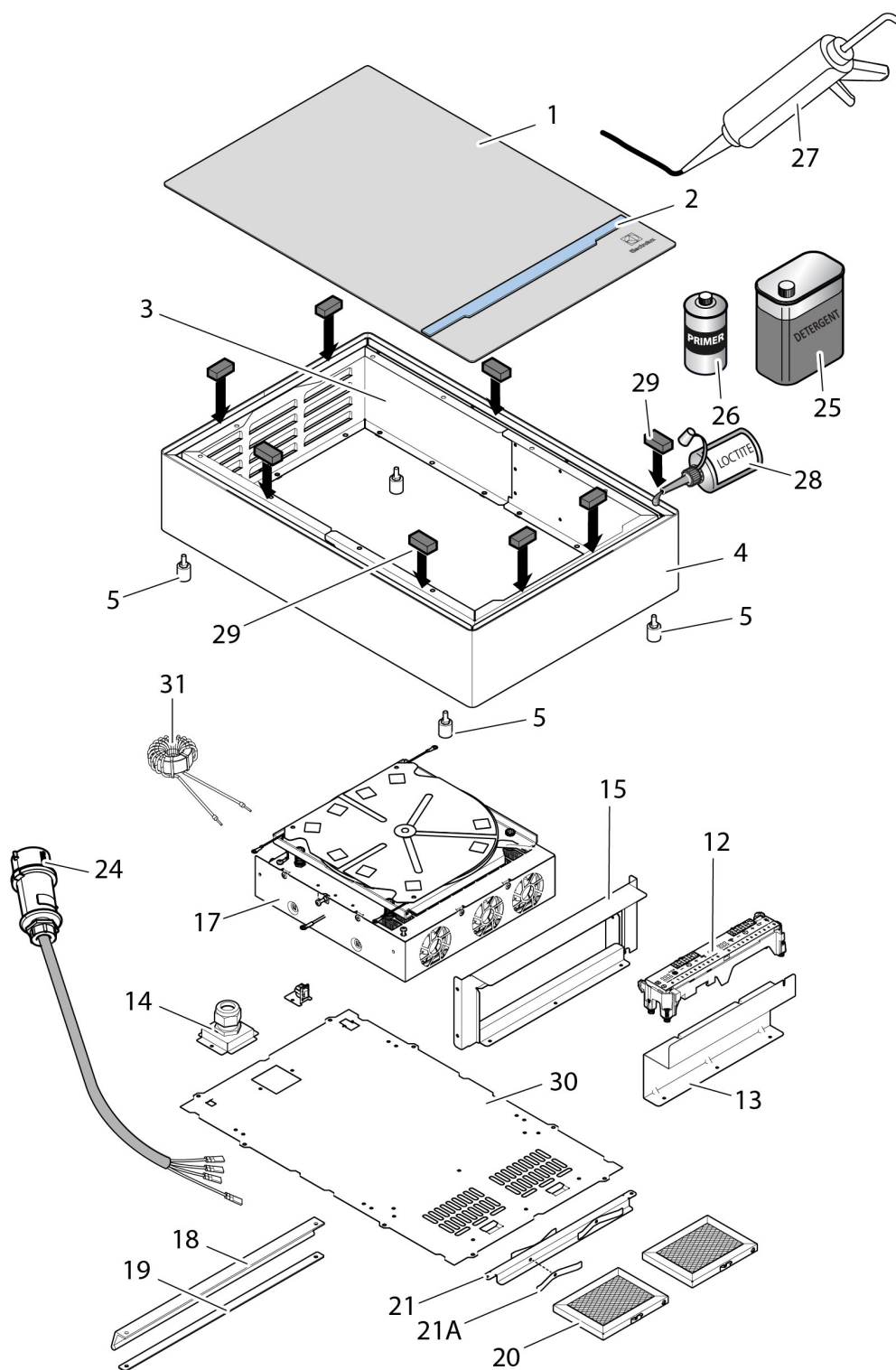
INDUCTION HOB LIBERO LINE SINGLE/DOUBLE ZONE 220-240V 1N 50/60Hz 3000W / 3500W



INDUCTION HOB LIBERO LINE SINGLE/DOUBLE ZONE 220-240V 1N 50/60Hz 3000W / 3500W

Pos	Factory code	Spare Code	Descrizione	Description	Ref. / Note
1			VITRE	GLASS	Single zone ZAN
			VITRE	GLASS	Single zone ELUX
			VITRE	GLASS	Double zone ZAN
			VITRE	GLASS	Double zone ELUX
2			SEPARATEUR DE VITRE	TOP SPACER	
3			SUPPORT INTERNE	INNER STRUCTURE	
4			CAISSON	OUTSIDE COVER	
5		0D8162	PIED	FOOT	
7		0D8133	INDUCTEUR SZ 220V	COIL ASSEMBLY SZ 220V	G,H,I,J,K,L
		0D8164	INDUCTEUR DZ 220V	COIL ASSEMBLY DZ 220V	A,,B,C,D,E,F,
8			SUPPORT	MOTORVENTILATOR CONVEYOR	
9		0D8131	VENTILATEUR TANGENTIEL	MOTORVENTILATOR	
11			SUPPORT INDUCTEUR	INVERTER COVER	
12		0D8187	CARTE COMMANDE	USER BOARD	3000W - G,J,H,K
		0D8189	CARTE COMMANDE	USER BOARD	3500W - A,B,D,E
		0D8188	CARTE COMMANDE	USER BOARD	3000W - I,L
		0D8191	CARTE COMMANDE	USER BOARD	3000W - C,F
13			CANAL VENTILATEUR	MOTORVENTILATOR CONVEYOR	
14			PRESSE ETOUPE	CABLE GLAND STOPPER	
15			MOTOVENT RAFFREDDAMENTO INVERTER	MOT.VENT. COOL INVERTER	
16			CONVOGLIATORE MOT.VENT.	MOTORVENTILATOR CONVEYOR	
17		0D8132	GENERATEUR	INVERTER	220V
18			GOMMA SETTO AERAZIONE	RUBBER VENTILATION SEPARATOR	STAND ALONE
19			STAFFA FERMO SETTO	BRACKET VENTILATION SEPARATOR	STAND ALONE
20		0D8130	FILTRE	DUST FILTER	
21			SUPPORT FILTRE	FILTER LOCK SUPPORT	
21A		0D8129	RESSORT SUPPORT FILTRE	SPRING, FILTER HOLDER	
22		0D8182	CORDON ALIM. SHUCO	PLUG WITH CABLE	
23		0D8183	CORDON ALIM. UK	UK PLUG WITH CABLE	C,F,I,L
25	0151098052	088314	DETERGENTE PER SILICONE	DETERGENT FOR SILICONE GLUE	
26	0147098057	088313	PRIMER	PRIMER	
27	0147098058	0C0074	SILICONE NERO PER VETRO	BLACK SILICONE GLUE	
28	*	*	LOCKTITE COLLA SPESSORI	LOCKTITE FOR GLASS SPACERS	
29			CALE VITRE (KIT 8PZ)	GLASS SPACERS (KIT PCS8	
30			TOLE DE FOND	LOWER PANEL	
		0D8134	VITRE + CAISSON SZ (1+2+3+29)	1+2+3+29	G,I
		0D8137	VITRE + CAISSON SZ 1+2+3+29)		H
		0D8135	VITRE + CAISSON DZ (1+2+3+29)		B,C
		0D8138	VITRE + CAISSON DZ (1+2+3+29)		A
		0D8140	VITRE + CAISSON SZ (1+2+3+29)		J,L
		0D8143	VITRE + CAISSON SZ (1+2+3+29)		K
		0D8141	VITRE + CAISSON DZ (1+2+3+29)		D,F
		0D8144	VITRE + CAISSON DZ (1+2+3+29)		E

INDUCTION HOB LIBERO LINE SINGLE ZONE 380-415V ~ 3 50/60Hz 5000W



NordCap GmbH & Co. KG
Thalendorststraße 15
28307 Bremen
Hauptsitz (Service, Finanzen & Personal, Lager, IT, Marketing)

Telefon: +49 421 48557-0
Telefax: +49 421 488650
E-Mail: bremen@nordcap.de

Die NordCap Verkaufsniederlassungen in Deutschland:

Nord: Hamburg • Ost: Berlin • Süd: Ingelheim • West: Erkrath

by **NordCap**[®]

ZANUSSI
PROFESSIONAL