

# Bedienungsanweisung

## Milchkühlschrank **MK 30**

[Art. 43533237]



## **Important safety instructions**

**Before you use your cooler please read this instruction manual carefully.**

This appliance can be used by children aged from 8 years and above and persons with reduced physical, sensory or mental capabilities or lack of experience and knowledge if they have been given supervision or instruction concerning use of the appliance in a safe way and understand the hazards involved. Children shall not play with the appliance. Cleaning and user maintenance shall not be made by children without supervision.

The instructions concerning persons (including children) with reduced physical, sensory or mental capabilities or lack of experience and knowledge and children playing with the appliance are not required.

Do not store explosive substances such as aerosol cans with a flammable propellant in this appliance.

**WARNING:** Keep clear of obstruction all ventilation openings in the appliance enclosure or in the structure for building-in.

**WARNING:** Do not use mechanical devices or other means to accelerate the defrosting process, other than those recommended by the manufacturer.

**WARNING:** Do not damage the refrigerant circuit.

**WARNING:** Do not use electrical appliances inside the food storage compartments of the appliance, unless they are of the type recommended by the manufacturer.

The refrigerant is R600a and insulation blowing gases is cyclopentane, servicing and disposal of appliance should be done by qualified person.

### **Appliance information**

- 1) Climatic class: 4, the user should use the appliance below 32°C.
- 2) The A-weighted emission sound pressure level is below 70 dB(A).

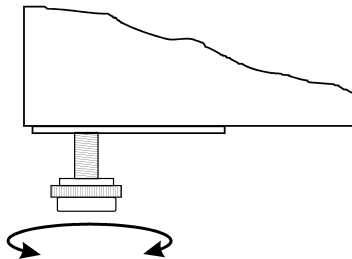


This Symbol means risk of fire and flammable materials used in appliance.

## Unpacking and installation

Control the packing for damages before unpacking. If any damages, contact the distributor and do not unpack !

To ensure correct function it is important that the cabinet is level. The cabinet is supplied with legs, these can be adjusted.



## Electrical connecting

The cabinet operates on 220-240 V/50 Hz.

The wall socket should be easily accessible.

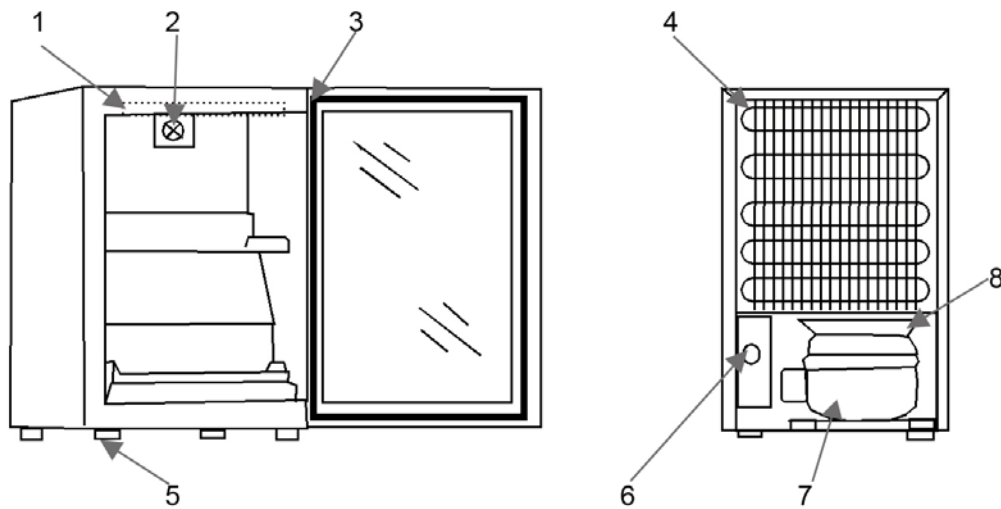
All earthing requirements stipulated by the local electricity authorities must be observed. The cabinet plug and wall socket should then give correct earthing. If in doubt, contact your local supplier or authorized electrician.

The flexible cord fitted to this appliance has three cores for use with a 3-pin 13-Amp or 3-pin 15-Amp plug. If a B.S. 1363 (13-Amp) fused plug is used, it should be fitted with a 13-Amp fuse.

The wires in this mains lead are coloured in accordance with the following code:  
Green/Yellow: Earth, Blue: Neutral, Brown: Live.

The main electrical connections must be done by skilled electricians.

## Where is the parts



1. Internal LED light	5. Adjustable feet
2. Evaporator fan	6. Thermostat
3. Gasket	7. Compressor
4. Condenser	8. Drip tray

## Start-up of the cabinet

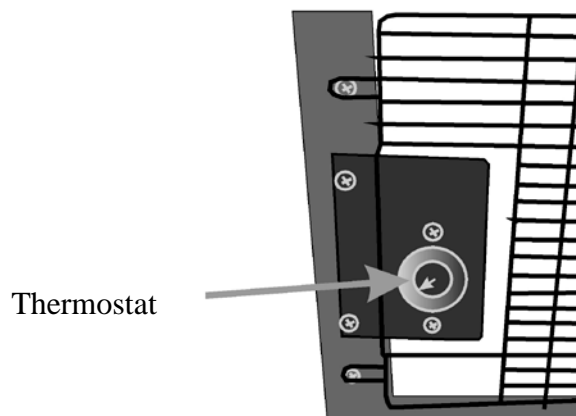
Before use, we recommend that the cabinet is cleaned, see the section on maintenance and cleaning.

### Important !

If the cabinet has been vertically placed during transport, please wait 2 hours before starting up the cabinet.

## Thermostat

The thermostat is placed at the backside of the cabinet.



The thermostat can be adjusted with a scale of 1-6, which is equivalent to approximately 1-10°C  
Optimal setting will in most cases be 3-4.

The cooling system can be disconnected at a setting at 0.

## **Light**

The internal light is a LED type, witch automatically switches on when the door is opened. Replacing the LED-strip is done by removing the lamp cover and disconnect the wires. Replace with similar type of LED-strip (12 VDC).

## **Defrosting**

The cabinet defrosts automatically. Defrosted water runs to a container placed in the compressor compartment and evaporates.

## **Moving the shelves**

The shelf guides is moved by squeezing them together and lifting them upwards at the same time. Place the guides in the wanted position and be sure that all 4 guides are placed in the same height before placing the shelf in the cabinet.

## **Maintenance and cleaning**

Switch the cooler off at the socket.

The cabinet must be periodically cleaned. Clean the external and internal surfaces of the cabinet with a light soap solution and subsequently wipe dry.

Do NOT use cleansers containing chlorine or other harsh cleansers, as these can damage the surfaces and the internal cooling system.

## **Service**

The cooling system is a hermetically sealed system and does not require supervision, only cleaning.

If the cabinet fails to cool, check if the reason is a power cut.

If you cannot locate the reason to the failure of the cabinet, please contact your supplier. Please inform model and serial number of the cabinet. You can find this information on the rating label which is placed inside the cabinet in the top right hand side.

## **Disposal**

Disposal of the cabinet must take place in an environmentally correct way. Please note existing regulation on disposal. There may be special requirements and conditions which must be observed.



NordCap GmbH & Co. KG

Thalendorststraße 15  
D-28307 Bremen

Telefon: +49 421 48557-0  
Telefax: +49 421 488650

E-Mail: [info\(at\)nordcap.de](mailto:info(at)nordcap.de)

