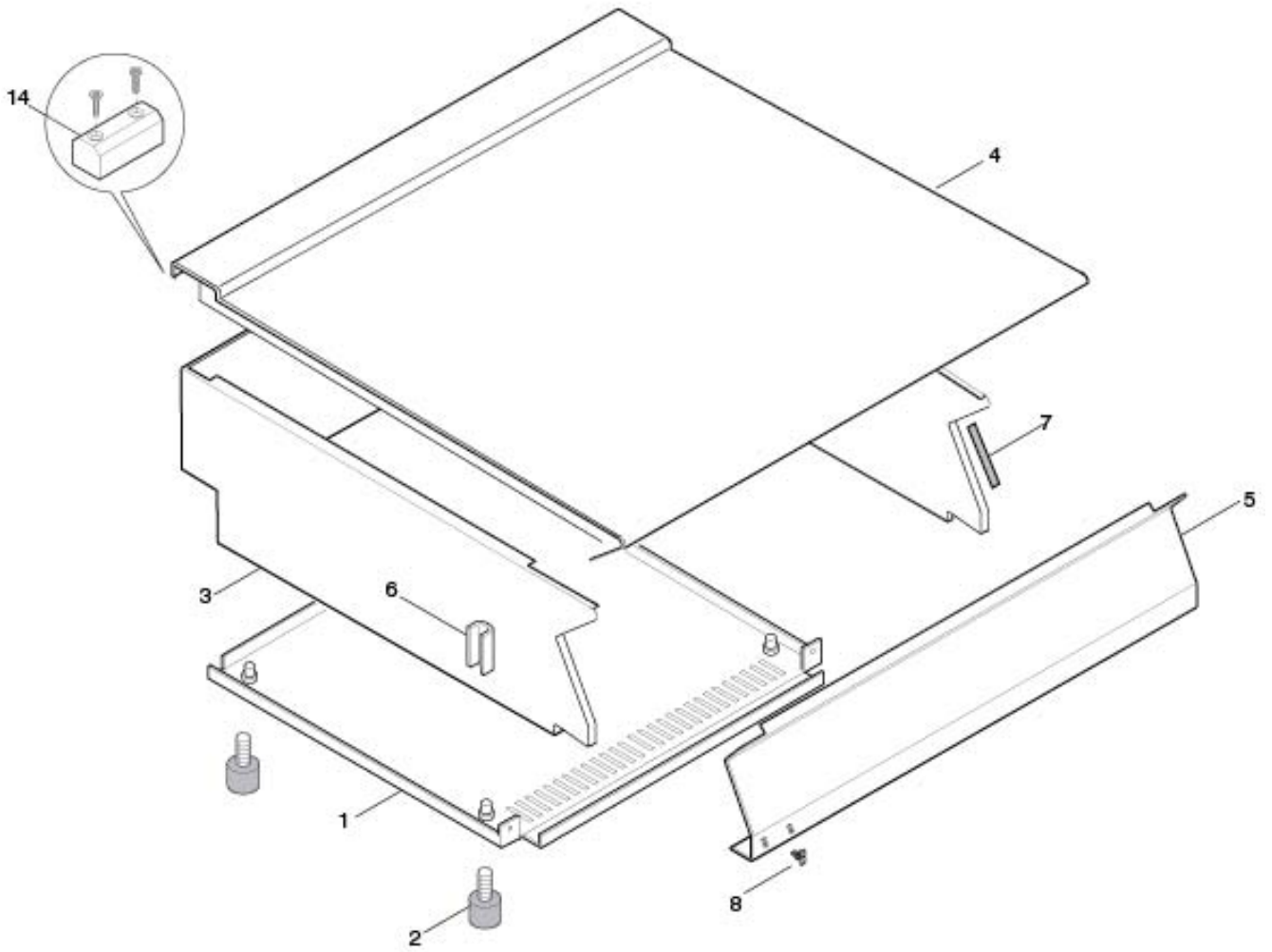
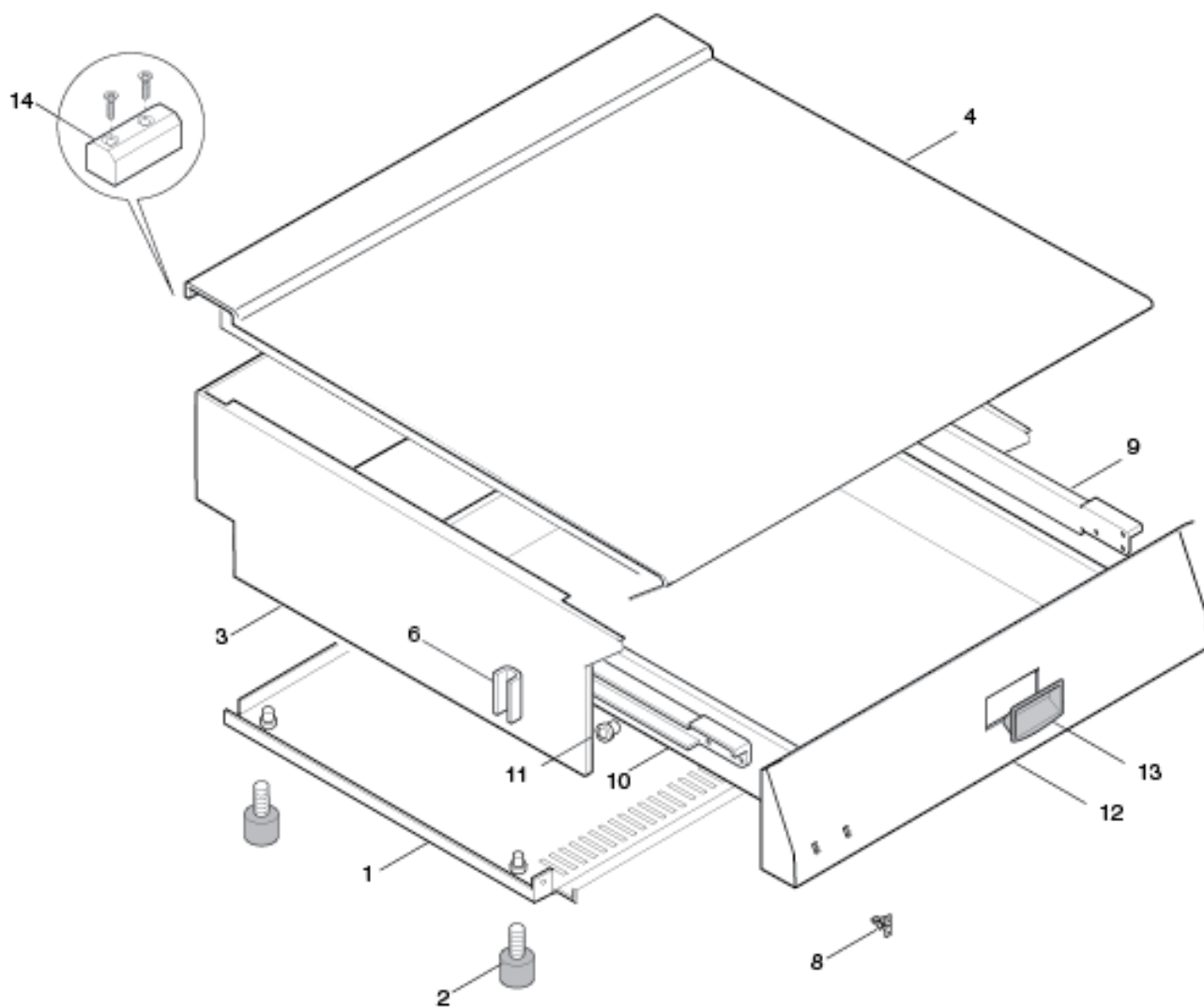


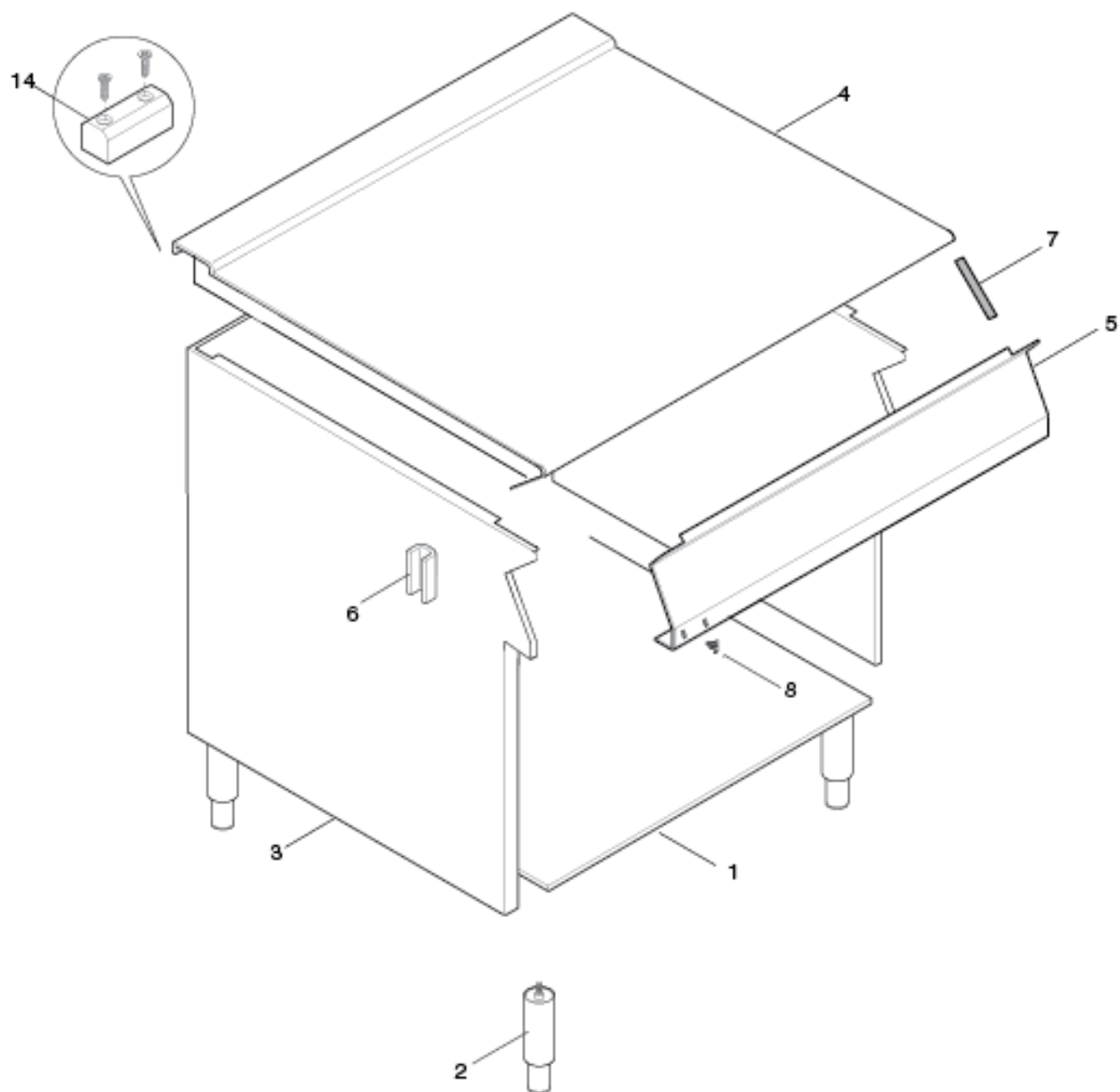
| PNC           | Model             | Ref      | Brand           | Pag.       | Notes   |
|---------------|-------------------|----------|-----------------|------------|---|
| 178763        | TN/1              | a        | Electrolux      | 2-6        | AMBIENT WORKTOP WITH CLOSED FRONT 400 MM        |
| 178764        | TN/2              | b        | Electrolux      | 2-6        | AMBIENT WORKTOP WITH CLOSED FRONT 800 MM        |
| 178766        | TN/3              | c        | Electrolux      | 2-6        | AMBIENT WORKTOP WITH DRAWER 800 MM              |
| 178767        | TNV/2             | d        | Electrolux      | 2-6        | AMBIENT WORKTOP + OPEN BASE 800MM               |
| 178770        | TN/0              | f        | Electrolux      | 2-6        | AMBIENT WORKTOP WITH CLOSED FRONT 200 MM        |
| 178771        | TNV/0             | g        | Electrolux      | 2-6        | AMBIENT WORKTOP + OPEN BASE 200MM               |
| 371115        | E7WTNBN000        | h        | Electrolux      | 2-6        | AMBIENT WORKTOP WITH CLOSED FRONT 200 MM        |
| 371116        | E7WTNDN000        | i        | Electrolux      | 2-6        | AMBIENT WORKTOP WITH CLOSED FRONT 400 MM        |
| 371117        | E7WTNDN00E        | l        | Electrolux      | 2-6        | AMBIENT WORKTOP WITH DRAWER 400 MM              |
| 371118        | E7WTNHN000        | m        | Electrolux      | 2-6        | AMBIENT WORKTOP WITH CLOSED FRONT 800           |
| 371119        | E7WTNHN00E        | n        | Electrolux      | 2-6        | AMBIENT WORKTOP WITH DRAWER 800 MM              |
| 372115        | Z7WTNBN000        | o        | Zanussi         | 2-6        | AMBIENT WORKTOP WITH CLOSED FRONT 200           |
| 372116        | Z7WTNDN000        | p        | Zanussi         | 2-6        | AMBIENT WORKTOP WITH CLOSED FRONT 400           |
| 372117        | Z7WTNDN00E        | q        | Zanussi         | 2-6        | AMBIENT WORKTOP WITH DRAWER 400 MM              |
| 372118        | Z7WTNHN000        | r        | Zanussi         | 2-6        | AMBIENT WORKTOP WITH CLOSED FRONT 800           |
| 372119        | Z7WTNHN00E        | s        | Zanussi         | 2-6        | AMBIENT WORKTOP WITH DRAWER 800 MM              |
| <b>373115</b> | <b>A7WTNBN000</b> | <b>t</b> | <b>To brand</b> | <b>2-6</b> | <b>AMBIENT WORKTOP WITH CLOSED FRONT 200 MM</b> |
| <b>373116</b> | <b>A7WTNDN000</b> | <b>u</b> | <b>To brand</b> | <b>2-6</b> | <b>AMBIENT WORKTOP WITH CLOSED FRONT 400 MM</b> |
| <b>373117</b> | <b>A7WTNDN00E</b> | <b>v</b> | <b>To brand</b> | <b>2-6</b> | <b>AMBIENT WORKTOP WITH DRAWER 400 MM</b>       |
| <b>373118</b> | <b>A7WTNHN000</b> | <b>x</b> | <b>To brand</b> | <b>2-6</b> | <b>AMBIENT WORKTOP WITH CLOSED FRONT 800 MM</b> |
| <b>373119</b> | <b>A7WTNHN00E</b> | <b>y</b> | <b>To brand</b> | <b>2-6</b> | <b>AMBIENT WORKTOP WITH DRAWER 800 MM</b>       |

| Pag | Index                | Indice                 | Note |
|-----|----------------------|------------------------|------|
| 2-4 | Frame and components | Struttura e componenti |      |
| 5-6 | Spare parts list     | Lista ricambi          |      |

Brand/Marchio: All  
Factory code: 9PDX







**WORKTOP N700  
NEUTRO N700**

| <i>Pos</i> | <i>Factory Code</i> | <i>Spare Part Code</i> | <i>Descrizione</i>                      | <i>Description</i>                 | <i>Ref./Note</i>   |
|------------|---------------------|------------------------|---|------------------------------------|--------------------|
| 1          | 0532833400          | *                      | FONDO TOP 200 MM                        | BOTTOM TOP 200 MM                  | f                  |
| 1          | 0522897301          | *                      | FONDO TOP 400 MM                        | BOTTOM TOP 400 MM                  | a up to 39/2007    |
| 1          | 0530865700          | *                      | FONDO TOP 400 MM                        | BOTTOM TOP 400 MM                  | a from 40/2007     |
| 1          | 0522897401          | *                      | FONDO TOP 800 MM                        | BOTTOM TOP 800 MM                  | b up to 39/2007    |
| 1          | 0530865800          | *                      | FONDO TOP 800 MM                        | BOTTOM TOP 800 MM                  | b from 40/2007     |
| 1          | 0532833702          | *                      | FONDO VANO 200 MM                       | BOTTOM OPEN BASE 200MM             | g                  |
| 1          | 0532872100          | *                      | FONDO VANO 800 MM                       | BOTTOM OPEN BASE 400MM             | d                  |
| 1          | 0533835803          | *                      | FONDO TOP CON CASSETTO 800MM            | BOTTOM TOP WITH OPEN BASE 800MM    | c                  |
| 1          | 05038A2H01          | *                      | FONDO TOP 200 MM                        | BOTTOM TOP 200 MM                  | h o t              |
| 1          | 05038A2J00          | *                      | FONDO TOP 400 MM                        | BOTTOM TOP 400 MM                  | i p u              |
| 1          | 050289AN01          | *                      | FONDO TOP + CASSETTO 400 MM             | BOTTOM TOP + DRAWER 400 MM         | l q v              |
| 1          | 05038A2K00          | *                      | FONDO TOP 800 MM                        | BOTTOM TOP 800 MM                  | m r x              |
| 1          | 050289AP00          | *                      | FONDO TOP + CASSETTO 800 MM             | BOTTOM TOP + DRAWER 800 MM         | n s y              |
| 2          | 0315252601          | 026806                 | PIEDINO                                 | RUBBER FOOT                        | all except d and g |
| 2          | 0835856900          | 0C0204                 | PIEDE                                   | FOOT                               | d g                |
| 3          | 0532862700          | *                      | RIVESTIMENTO LATERALE 200 MM            | EXTERNAL PANEL 200MM               | f                  |
| 3          | 0530866801          | 0C5268                 | RIVESTIMENTO LATERALE 400MM             | EXTERNAL PANEL 400MM               | a                  |
| 3          | 0530866901          | 0C5186                 | RIVESTIMENTO LATERALE 800MM             | EXTERNAL PANEL 800MM               | b                  |
| 3          | 0532856200          | *                      | RIVESTIMENTO LATERALE C/CASSETTO        | EXTERNAL PANEL WITH DRAWER 800MM   | c                  |
| 3          | 0532862502          | *                      | RIVESTIMENTO LATERALE MONOBLOCCO 200 MM | EXTERNAL PANEL FREESTANDING 200MM  | g                  |
| 3          | 0534836400          | *                      | RIVESTIMENTO LATERALE MONOBLOCCO 800 MM | EXTERNAL PANEL FREESTANDING 800MM  | d up to 39/2007    |
| 3          | 0530867902          | 0C6052                 | RIVESTIMENTO LATERALE MONOBLOCCO 800 MM | EXTERNAL PANEL FREESTANDING 800MM  | d from 40/2007     |
| 3          | 085089J901          | 0C9853                 | RIVESTIMENTO TOP 200 MM                 | EXTERNAL PANEL TOP 200 MM          | h                  |
| 3          | 085089F701          | 0C8544                 | RIVESTIMENTO TOP 400 MM                 | EXTERNAL PANEL TOP 400 MM          | i                  |
| 3          | 050389MK03          | *                      | RIVESTIMENTO TOP + CASSETTO 400 MM      | EXTERNAL PANEL TOP + DRAWER 400 MM | l                  |
| 3          | 085089F801          | 0C7536                 | RIVESTIMENTO TOP 800 MM                 | EXTERNAL PANEL TOP 800 MM          | m                  |
| 3          | 050389ML02          | *                      | RIVESTIMENTO TOP + CASSETTO 800 MM      | EXTERNAL PANEL TOP + DRAWER 800 MM | n                  |
| 3          | 085089JA01          | *                      | RIVESTIMENTO TOP 200 MM                 | EXTERNAL PANEL TOP 200 MM          | o t                |
| 3          | 085089FA01          | 0C7268                 | RIVESTIMENTO TOP 400 MM                 | EXTERNAL PANEL TOP 400 MM          | p u                |
| 3          | 050389MM01          | *                      | RIVESTIMENTO TOP + CASSETTO 400 MM      | EXTERNAL PANEL TOP + DRAWER 400 MM | q v                |
| 3          | 085089FB01          | 0C8464                 | RIVESTIMENTO TOP 800 MM                 | EXTERNAL PANEL TOP 800 MM          | r x                |
| 3          | 050389MN01          | *                      | RIVESTIMENTO TOP + CASSETTO 800 MM      | EXTERNAL PANEL TOP + DRAWER 800 MM | s y                |
| 4          | 0873892400          | 0C4634                 | RIPIANO NEUTRO 200MM                    | TABLE TOP 200MM                    | f g                |
| 4          | 0873892200          | 0C4632                 | RIPIANO NEUTRO 400MM                    | TABLE TOP 400MM                    | a                  |
| 4          | 0873892300          | 0C4633                 | RIPIANO NEUTRO 800MM                    | TABLE TOP 800MM                    | b c d              |
| 4          | 087089DV01          | *                      | RIPIANO NEUTRO 200MM                    | TABLE TOP 200MM                    | h                  |
| 4          | 087089DA02          | *                      | RIPIANO NEUTRO 400MM                    | TABLE TOP 400MM                    | i l                |
| 4          | 087089DB02          | 0C7939                 | RIPIANO NEUTRO 800MM                    | TABLE TOP 800MM                    | m n                |
| 4          | 087089H001          | 0C7940                 | RIPIANO NEUTRO 200MM                    | TABLE TOP 200MM                    | o t                |

**WORKTOP N700  
NEUTRO N700**

| <i>Pos</i> | <i>Factory Code</i> | <i>Spare Part Code</i> | <i>Descrizione</i>                            | <i>Description</i>           | <i>Ref./Note</i>   |
|------------|---------------------|------------------------|---|------------------------------|--|
| 4          | 087089H103          | *                      | RIPIANO NEUTRO 400MM                          | TABLE TOP 400MM              | p q u v  |
| 4          | 087089H203          | 0C7941                 | RIPIANO NEUTRO 800MM                          | TABLE TOP 800MM              | r s x y  |
| 5          | 0831823101          | 0C4735                 | CRUSCOTTO 200 MM                              | CONTROL PANEL 200MM          | f g  |
| 5          | 0831823201          | 0C4736                 | CRUSCOTTO 400MM                               | CONTROL PANEL 400MM          | a  |
| 5          | 0831823301          | 0C4710                 | CRUSCOTTO 800MM                               | CONTROL PANEL 800MM          | b d  |
| 5          | 0851818302          | *                      | CRUSCOTTO 800MM                               | CONTROL PANEL 800MM          | c  |
| 5          | 050389NM01          | 0TTZA9                 | CRUSCOTTO NEUTRO 200                          | CONTROL PANEL 200            | h o t  |
| 5          | 085089BM02          | 0C7202                 | CRUSCOTTO NEUTRO + MARCHIATURA ELUX 400       | CONTROL PANEL ELUX 400       | i  |
| 5          | 085089GZ03          | 0C9842                 | CRUSCOTTO NEUTRO + MARCHIATURA ELUX 400       | CONTROL PANEL ELUX 400       | l  |
| 5          | 085089BK02          | 0C7818                 | CRUSCOTTO NEUTRO + MARCHIATURA ELUX 800       | CONTROL PANEL ELUX 800       | m  |
| 5          | 085089H003          | 0C9145                 | CRUSCOTTO NEUTRO + MARCHIATURA ELUX 800       | CONTROL PANEL ELUX 800       | n  |
| 5          | 085089G801          | 0C7206                 | CRUSCOTTO NEUTRO + MARCHIATURA ZAN 400        | CONTROL PANEL ZAN 400        | p  |
| 5          | 085089H103          | 0CA409                 | CRUSCOTTO NEUTRO + MARCHIATURA ZAN 400        | CONTROL PANEL ZAN 400        | q  |
| 5          | 087089GP01          | 0C7611                 | CRUSCOTTO NEUTRO + MARCHIATURA ZAN 800        | CONTROL PANEL ZAN 800        | r  |
| 5          | 085089H203          | *                      | CRUSCOTTO NEUTRO + MARCHIATURA ZAN 800        | CONTROL PANEL ZAN 800        | s  |
| 5          | <b>085089G702</b>   | <b>0CA037</b>          | <b>CRUSCOTTO NEUTRO + FORATURA OEM 400</b>    | <b>CONTROL PANEL OEM 400</b> | <b>u</b>   |
| 5          | <b>085589F902</b>   | <b>0C9683</b>          | <b>CRUSCOTTO NEUTRO + FORATURA OEM 400</b>    | <b>CONTROL PANEL OEM 400</b> | <b>v</b>   |
| 5          | <b>087089HS01</b>   | *                      | <b>CRUSCOTTO NEUTRO + MARCHIATURA OEM 800</b> | <b>CONTROL PANEL OEM 800</b> | <b>x</b>   |
| 5          | <b>085589FA02</b>   | *                      | <b>CRUSCOTTO NEUTRO + FORATURA OEM 800</b>    | <b>CONTROL PANEL OEM 800</b> | <b>y</b>   |
| 6          | 0527850500          | 0C0156                 | PIASTRINA RINFORZO FIANCHI                    | SIDE PANEL JOINTING PALTE    | all  |
| 7          | 0140088006          | *                      | GUARNIZIONE                                   | GASKET, CONTROL PANEL        | a b c d f g<br>h i m o p r t u x<br>up to 45/2012<br>a b c d f g |
| 8          | 0518801801          | 053342                 | MOLLA PER MARCHIO                             | SPRING FOR BRAND             |  |
| 9          | 0533835301          | 0C2717                 | GUIDA DESTRA CASSETTO                         | RIGHT DRAWER RUNNER          | c up to 12/2009  |
| 10         | 0533835401          | 0C2715                 | GUIDA SINISTRA CASSETTO                       | LEFT DRAWER RUNNER           | c up to 12/2009  |
| 9+10       | 0835847500          | 006109                 | COPPIA GUIDE CASSETTO                         | DRAWER RUNNERS               | c from 13/2009   |
| 9+10       | 0835875Z00          | 0C7845                 | COPPIA GUIDE CASSETTO                         | DRAWER RUNNERS               | l n q s v y  |
| 11         | 0541812501          | 0C4266                 | ROTELLA GUIDA CASSETTO                        | ROLLER FOR DRAWER RUNNER     | c up to 12/2009  |
| 12         | 0851816804          | *                      | CASSETTO                                      | DRAWER                       | c  |
| 12         | 085089DK00          | *                      | CASSETTO 400MM                                | DRAWER 400 MM                | l q v  |
| 12         | 085089DL00          | *                      | CASSETTO 800MM                                | DRAWER 800 MM                | n s y  |
| 13         | 0548861302          | 0C2016                 | MANIGLIA CASSETTO                             | DRAWER HANDLE                | c  |
| 13         | 054887AH00          | 0C8769                 | MANIGLIA CASSETTO ELUX                        | DRAWER HANDLE ELUX           | l n  |
| 13         | 054887A802          | 0C8190                 | MANIGLIA CASSETTO ZAN                         | DRAWER HANDLE ZAN            | q s y  |
| 14         | 0516860700          | 0C0137                 | PIASTRINA DI UNIONE                           | JOINTING REAR PLATE          | a b c d f g  |