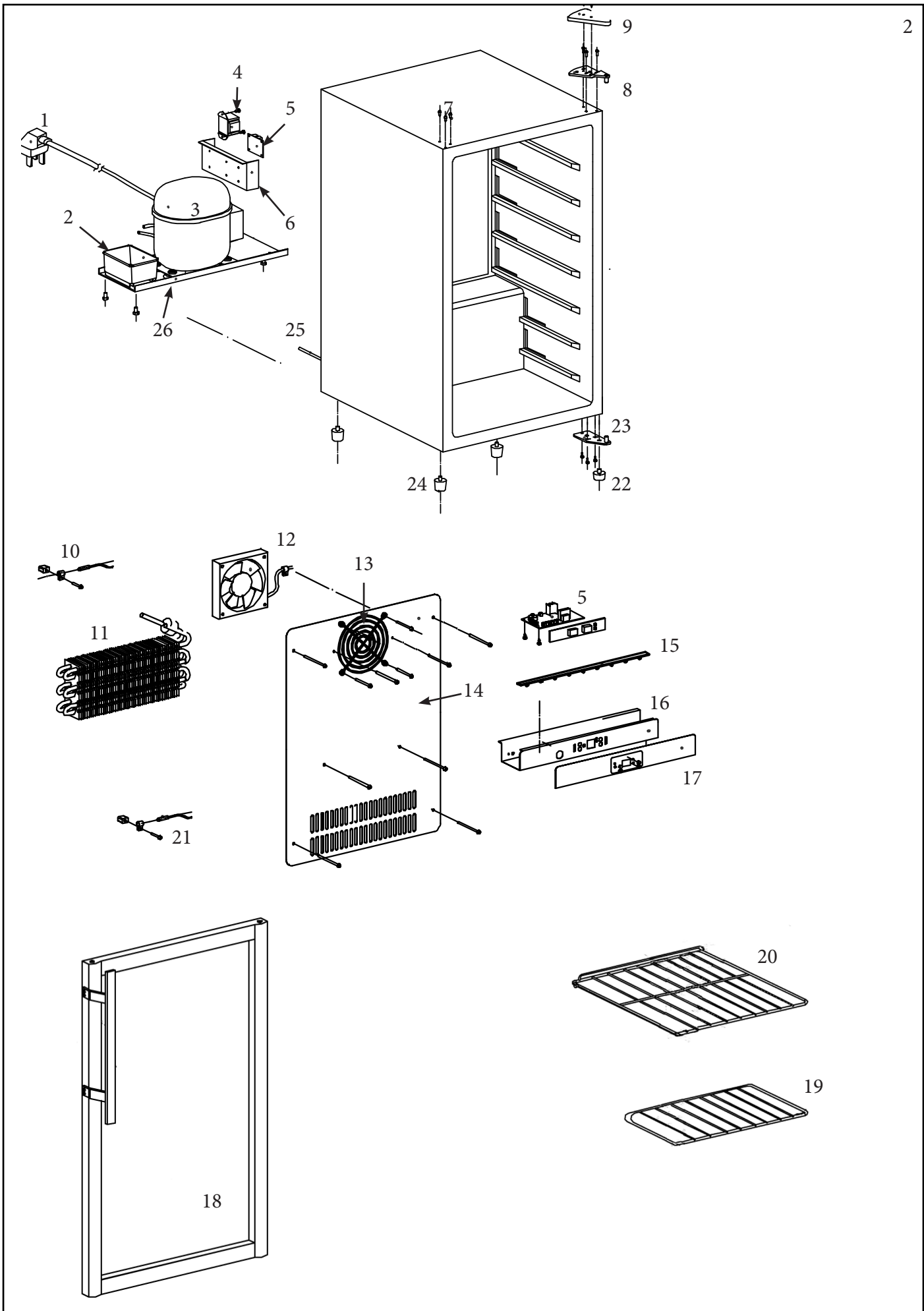


Model: 0-S706001H0030803 M85

GB - Spare parts list



Model 0-S706001H0030803

POS.	Part No .	Description	Remark
1	DG2-2.2	Power cord	
2	DG13-1	Water box	
3	DG1-77	Compressor	
4	DG6-7	Transformer	
5	DG3-100-3	PCB board	
6	DG13-272-1	PCB board cover	
7	DG13-245	Trunk-naik	
8	DG14-1.2	Top hinge module	
9	DG13-12	Decorative cover of Top hinge module	
10	DG8-7-W	Senser	
11	DG12-1	Evaporator	RDL1225B 12V DC
12	DG7-3.2-BH	Evaporator fan	
13	DG19-1	Evaporator Fan cover	
14	DG22-132	Air duct board	
15	DG3-14-W	LED LIGHT	
16	DG22-22.2	Electrical box	
17	DG20-202	Display panel	
18	DG23-100	Door	
	M130L-001	Gasket	
	DG13-285	Handle	
19	DG15-188	Short shelf	
20	DG15-168	Full shelf	
21	DG8-7-R	Senser	
22	DG13-6.2	Small cabinet leg, BC50N	
23	DG14-166	Lower hinge module	
24	DG13-6.1	Cabinet leg,BC50	
25	DG12-6.1	Air-circulating pipe	
26	DG22-89-1	Compressor bracket	