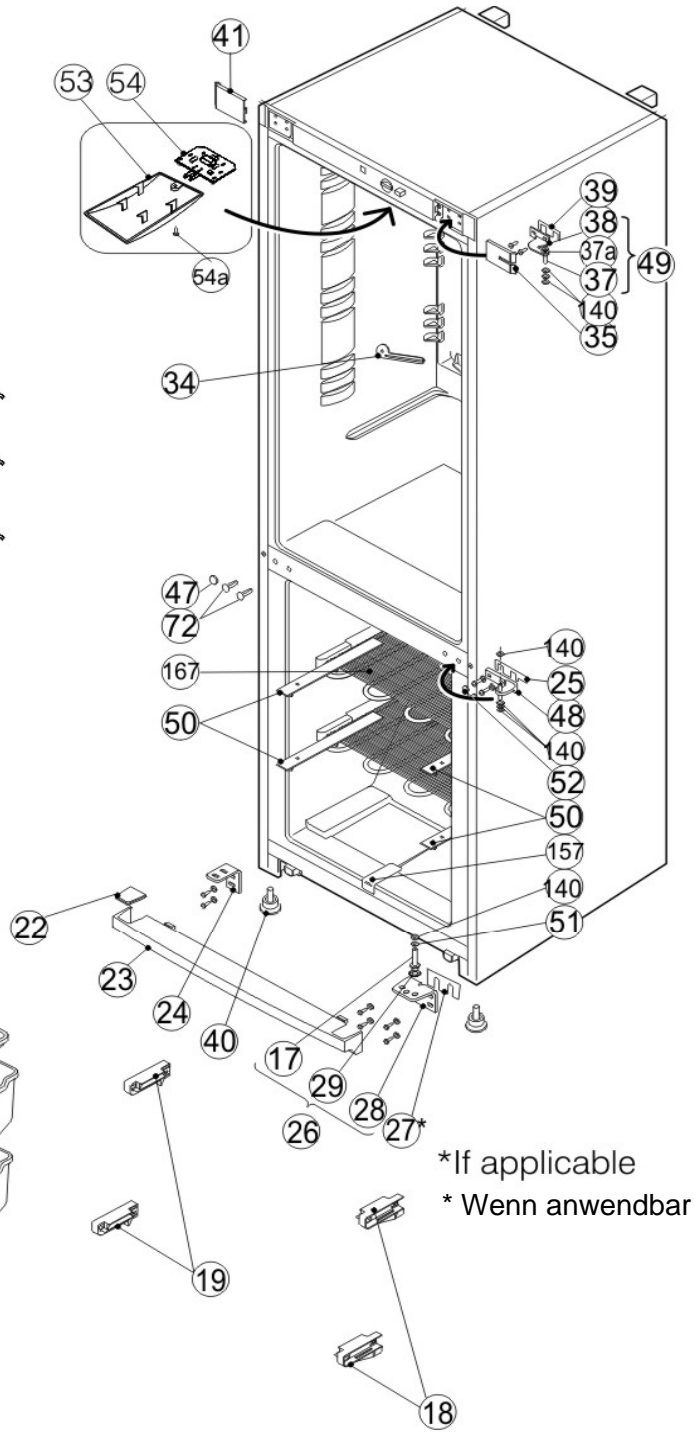
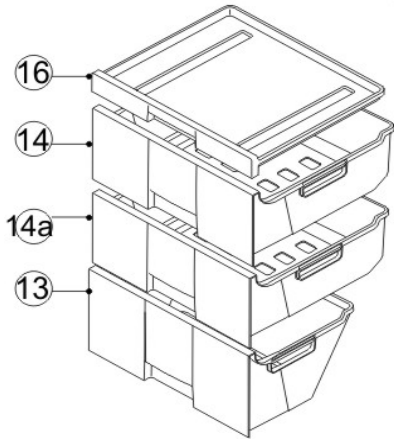
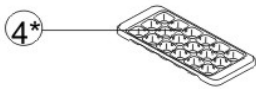
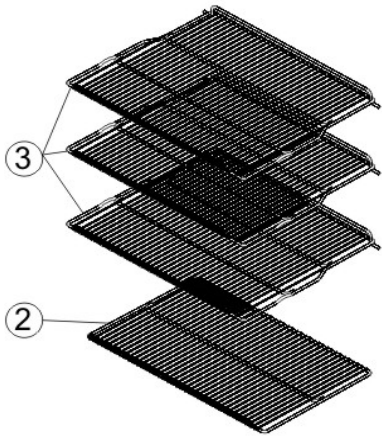


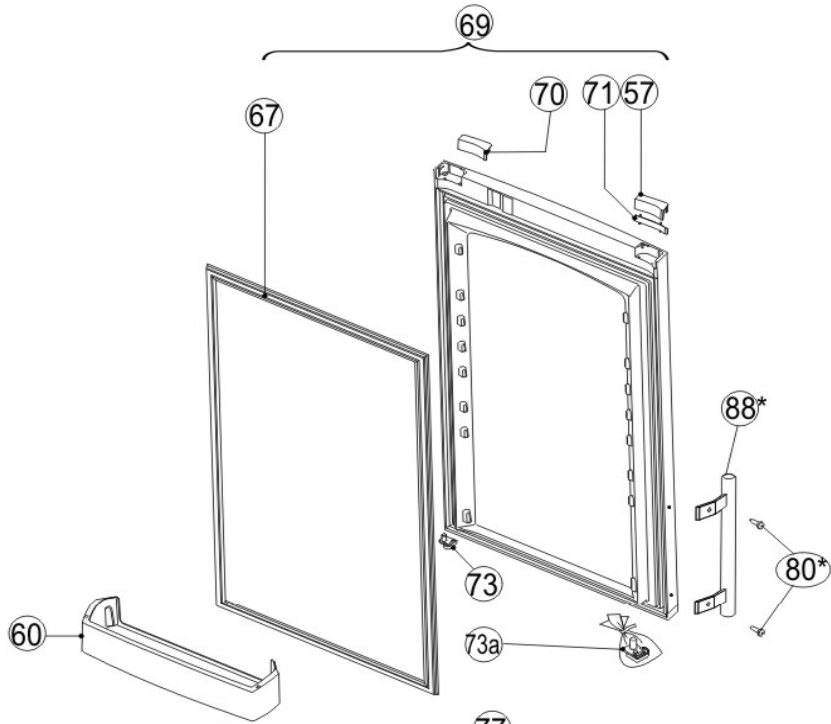
COOL-LINE-Kühl-/Tiefkühl-Kombination **KTK 34 INOX**

Art. 4703400501

Ersatzteilliste-Explosionszeichnung

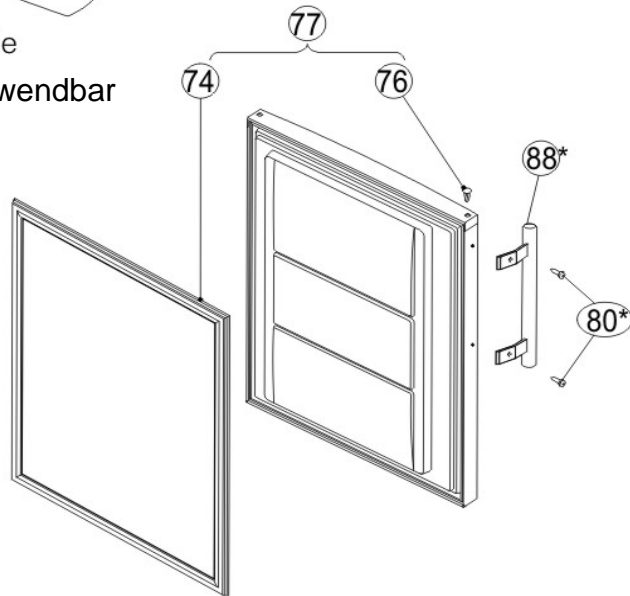
Catalogue of parts and units

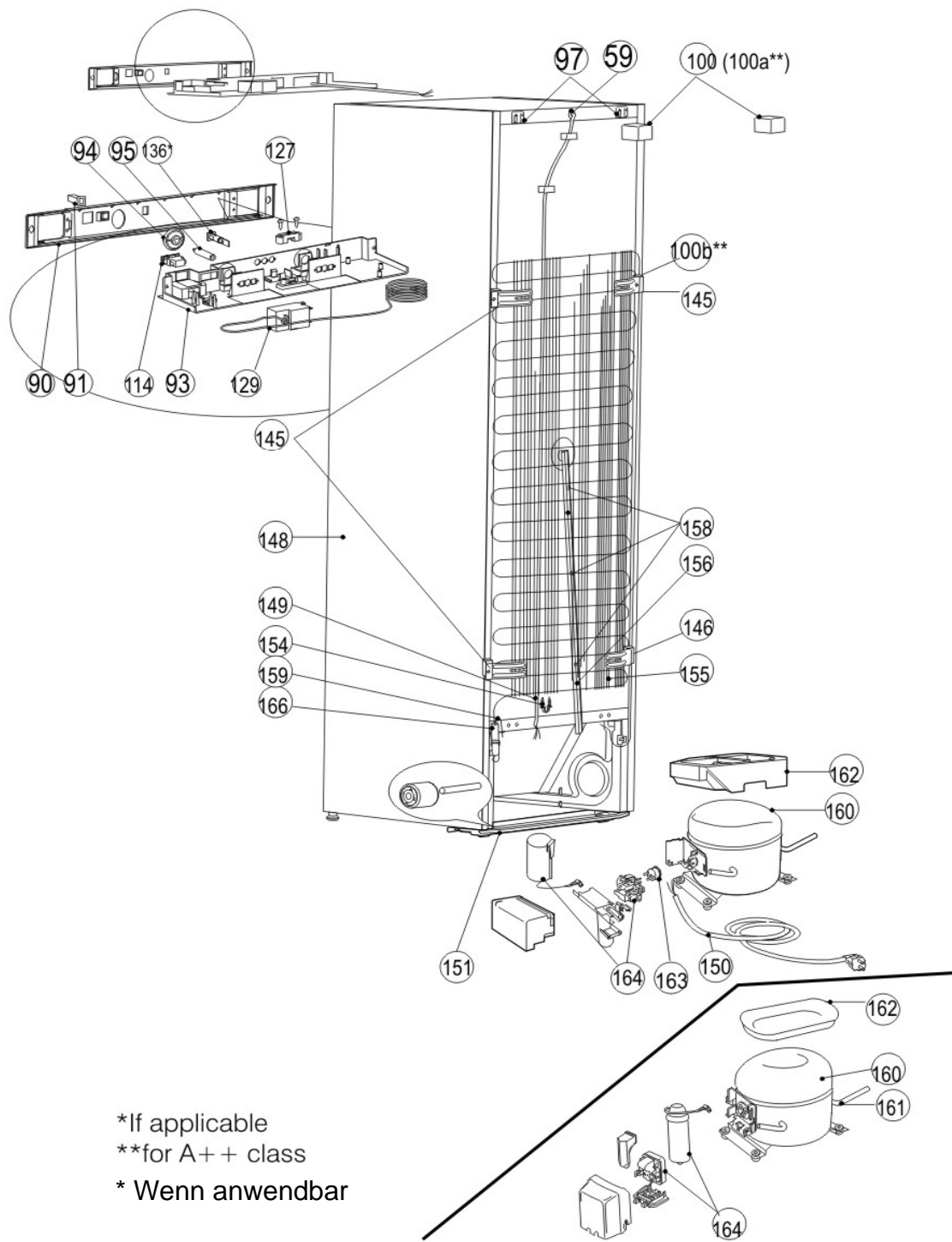




*If applicable

* Wenn anwendbar





*If applicable
 **for A++ class
 * Wenn anwendbar

DE Ersatzteilliste-Explosionszeichnung

Kode der Teil	Katalog Kode	Name
D145028-00	154	Klemme (Abb.3)
D194066-O	158	Spund (Abb.3)
D155325	39	Zwischenlage (Abb.1)
D155326-H	25	Zwischenlage (Abb.1)
D710019-H	140	Scheibe (Abb.1)
D212195-0	59	Buchse (Abb.3)
D269088-H	71	Einlage (Abb.2)
D270099-01	19	Stütze (Abb.1)
D270099-00	18	Stütze (Abb.1)
D295005	50	Führung (Abb.1)
D315173-H	52	Deckel (Abb.1 und 2)
D315214-H	35	Deckel (Abb.1)
D315215-H	41	Deckel (Abb.1)
D315218-H	23	Untere deckel (Abb.1)
D315221-00-H	57	Deckel (Abb.2)
D315221-01-H	70	Deckel (Abb.2)
D315261-H	22	Deckel (Abb.1)
D322086-H	47	Deckel (Abb.1)
D315238-A	91	Deckel (Abb.3)
D322083-H	76	Verschlussklappe (Abb.2)
D333015	157	Rinne (Abb.1)
D404026-00	53	Leuchtarkörper (Abb.1)
M120254-00-1IH2	38	Konsole (Abb.1)
M120255-00-1IH2	48	Konsole (Abb.1)
M175136-01	159	Technologische Rohre (Abb.3)
M333014-01-4	156	Rinne (Abb.3)
M206104-00	37	Achse (Abb.1)
D357260V2SN06	14a	Wanne (Abb.1)
D357260-V2	14	Wanne (Abb.1)
PM209B	167	Verdampfer (Abb.1)
KS270122	155	Verflüssiger (Abb.3)
D060196-O	93	Montagepaneel (Abb.3)
D140117-O1	127	Klammer (Abb.3)
S229051	114	Schalter (Abb.3)
KRHMK80AA-Y7	164	Anlaßrelais (Abb.3)
S571050	136	Signalleuchte (Abb.3)
V503063-04	150	Netzdraht (Abb.3)
D206103	95	Achse (Abb.3)
D253123ASN01	94	Regler (Abb.3)
V320235-09-L1 4 5 6 7	77	Tür (Abb.2)
V372112-05	74	Dichtung (Abb.2)
V355304-04-L1	148	Schrank (Abb.3)
D155327-H	27	Zwischenlage (Abb.1)
40081100.0358	29	Scheibe (Abb.1)
M120256-00-Y1	28	Konsole (Abb.1)
M206106-00	17	Achse (Abb.1)
M120261-00-Y1	24	Konsole (Abb.1)
V043056-00	151	Stütze (Abb.3)
V519182-00	149	Elektrodraht (Abb.3)
D270096-P	97	Stütze (Abb.3)
D322084-H	72	Verschlussklappe (Abb.1)
V043041-00-J1	40	Stütze (Abb.1)
V320234-85-L15	69	Tür (Abb.2)
V372112-06	67	Dichtung (Abb.2)
D270100-00-H	73	Begrenzer (Abb.2)
V433005	166	Trocknenfilter (Abb.3)
S571055	54	LED Montageplate (Abb.1)
KKHMK80AA-Y7	160	Kompressor (Abb.3)
D357281	162	Wanne (Abb.3)
M950023-01-Y1	51	Scheibe (Abb.1)
40081100.0359	37a	Scheibe (Abb.1)
M253138	88	Griff (Abb.2)
40081150.0510	54a	Schraube 4x12 (Abb.1)
V054152-L2	2	Glässregal (Abb.1)
V054151-L2	3	Glässregal (Abb.1)
D357261-V2	13	Wanne (Abb.1)
40081150.0350	80	Schraube 3,9x13 (Abb.2)
D357263-V2	16	Wanne (Abb.1)
D357287-V2	60	Wanne (Abb.2)
D270100-01-H	73a	Begrenzer (Abb.2)
D270108-00-H	100a	Stütze (Abb.3)
D578002	34	Reiniger (Abb.1)
D270109-00-H	100b	Stütze (Abb.3)
D060197-01-H1	90	Dekorative Paneel (Abb.3)
V420084	129	Thermoregler (Abb.3)
M120252-00-4	146	Konsole (Abb.3)
M120252-00-4	145	Konsole (Abb.3)

EN Catalogue of parts and units

Part code	Catalog code	Name
D145028-00	154	Clamp (Pic.3)
D194066-O	158	Pin (Pic.3)
D155325	39	Spacer (Pic.1)
D155326-H	25	Spacer (Pic.1)
D710019-H	140	Washer (Pic.1)
D212195-0	59	Bushing (Pic.3)
D269088-H	71	Insert (Pic.2)
D270099-01	19	Support (Pic.1)
D270099-00	18	Support (Pic.1)
D295005	50	Guide (Pic.1)
D315173-H	52	Cover (Pic.1 and 2))
D315214-H	35	Cover (Pic.1)
D315215-H	41	Cover (Pic.1)
D315218-H	23	Bottom cover (Pic.1)
D315221-00-H	57	Cover (Pic.2)
D315221-01-H	70	Cover (Pic.2)
D315261-H	22	Cover (Pic.1)
D322086-H	47	Cover (Pic.1)
D315238-A	91	Cover (Pic.3)
D322083-H	76	Plug (Pic.2)
D333015	157	Chamfer (Pic.1)
D404026-00	53	Cover of LED plate (Pic.1)
M120254-00-1IH2	38	Bracket (Pic.1)
M120255-00-1IH2	48	Bracket (Pic.1)
M175136-01	159	Technological tube (Pic.3)
M333014-01-4	156	Chamfer (Pic.3)
M206104-00	37	Axle (Pic.1)
D357260V2SN06	14a	Container (Pic.1)
D357260-V2	14	Middle container (Pic.1)
PM209B	167	Evaporator (Pic.1)
KS270122	155	Condenser (Pic.3)
D060196-O	93	Mounting panel (Pic.3)
D140117-O1	127	Clip (Pic.3)
S229051	114	Light switch (Pic.3)
KRHMK80AA-Y7	164	Starting relay (Pic.3)
S571050	136	Signal lamp (Pic.3)
V503063-04	150	Supply cord (Pic.3)
D206103	95	Axle (Pic.3)
D253123ASN01	94	Knob of thermostat (Pic.3)
V320235-09-L1 4 5 6 7	77	Door of freezing chamber (Pic.2)
V372112-05	74	Gasket (Pic.2)
V355304-04-L1	148	Foamed cabinet (Pic.3)
D155327-H	27	Spacer (Pic.1)
40081100.0358	29	Washer (Pic.1)
M120256-00-Y1	28	Bracket (Pic.1)
M206106-00	17	Axle (Pic.1)
M120261-00-Y1	24	Bracket (Pic.1)
V043056-00	151	Support for compr. fixing (Pic.3)
V519182-00	149	Wiring (Pic.3)
D270096-P	97	Support (Pic.3)
D322084-H	72	Plug (Pic.1)
V043041-00-J1	40	Support (Pic.1)
V320234-85-L15	69	Door of storage chamber (Pic.2)
V372112-06	67	Gasket (Pic.2)
D270100-00-H	73	Limiter (Pic.2)
V433005	166	Filter-dryer (Pic.3)
S571055	54	LED mounting plate (Pic.1)
KKHMK80AA-Y7	160	Compressor (Pic.3)
D357281	162	Tray of compressor (Pic.3)
M950023-01-Y1	51	Washer (Pic.1)
40081100.0359	37a	Washer (Pic.1)
M253138	88	Handle (Pic.2)
40081150.0510	54a	Screw 4x12 (Pic.1)
V054152-L2	2	Glass shelf (Pic.1)
V054151-L2	3	Glass shelf (Pic.1)
D357261-V2	13	Bottom container (Pic.1)
40081150.0350	80	Screw 3,9x13 (Pic.2)
D357263-V2	16	Tray (Pic.1)
D357287-V2	60	Balcony for bottles (Pic.2)
D270100-01-H	73a	Limiter (Pic.2)
D270108-00-H	100a	Support (Pic.3)
D578002	34	Cleaning tool (Pic.1)
D270109-00-H	100b	Support (Pic.3)
D060197-01-H1	90	Decorative panel (Pic.3)
V420084	129	Thermostat (Pic.3)
M120252-00-4	146	Bracket (Pic.3)
M120252-00-4	145	Bracket (Pic.3)