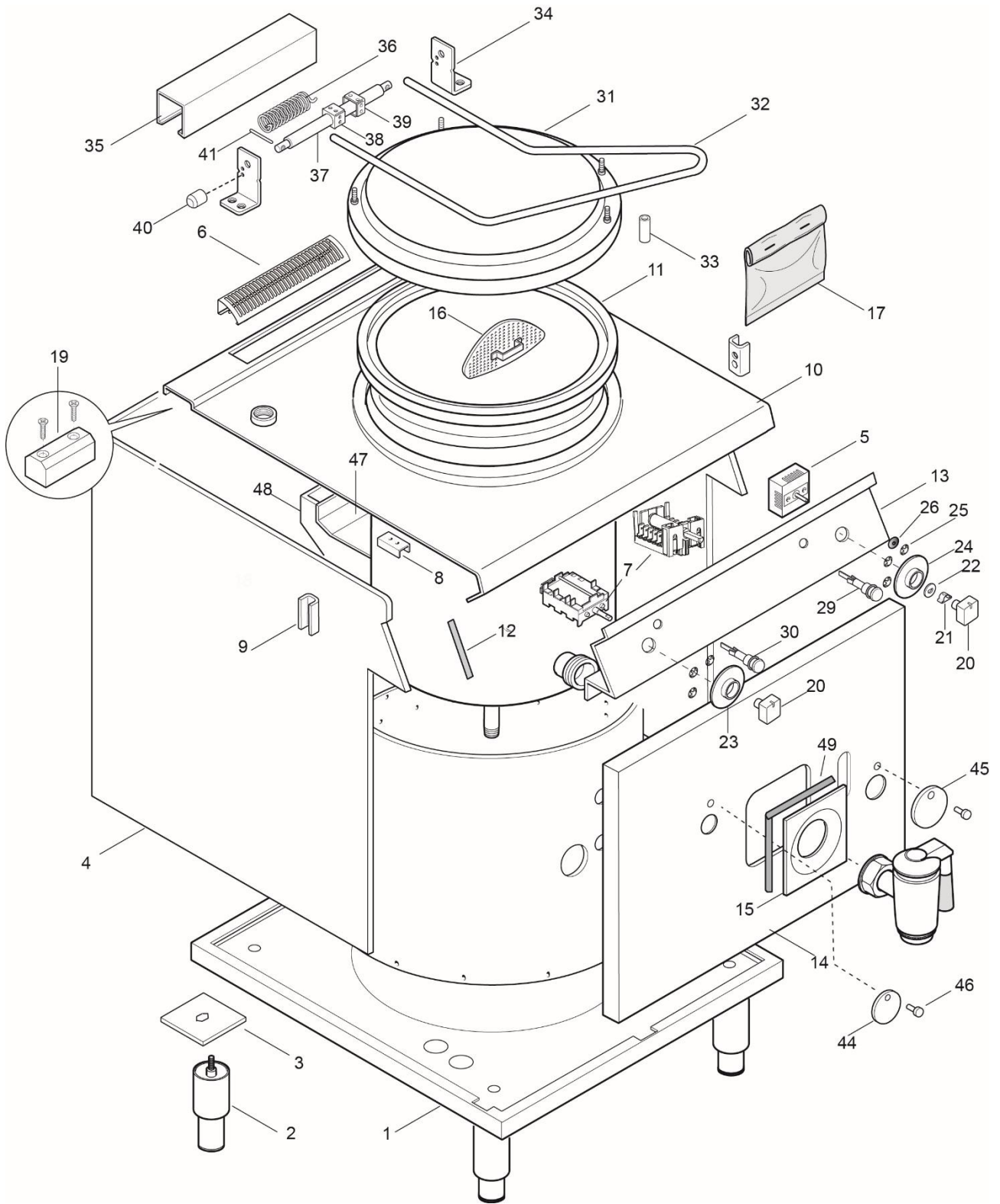


PENTOLE GAS-ELETTRICHE INDIRECTE 60lt E700XP
GAS-ELECTRIC BOILING PAN INDIRECT HEATING 60lt E700XP

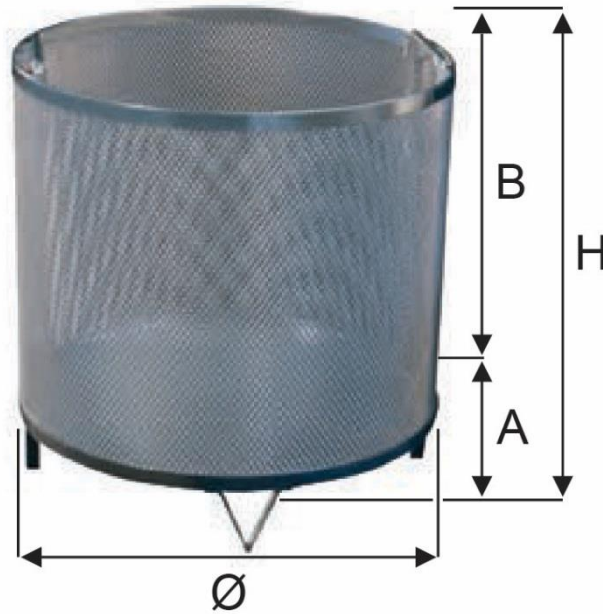
| PNC | Model | Ref | Pag. | Brand | Version | Notes |
|--------|------------|-----|------|-------|---------|------------------------|
| 371269 | E7BSGHINF0 | a | 2-6 | ELX | GAS | 60 LT |
| 371270 | E7BSGHINFR | b | 2-6 | ELX | GAS | 60 LT AUTO.REFILL |
| 371272 | E7BSEHINF0 | c | 2-6 | ELX | EL | 60 LT |
| 371273 | E7BSEHINFR | d | 2-6 | ELX | EL | 60 LT AUTO.REFILL |
| 371274 | E7BSEHIN40 | d | 2-6 | ELX | GAS | 60 LT 60Hz |
| 371275 | E7BSEHIN4R | d | 2-6 | ELX | GAS | 60 LT AUTO.REFILL 60Hz |
| 372269 | Z7BSGHINF0 | e | 2-6 | ZAN | GAS | 60 LT |
| 372270 | Z7BSGHINFR | f | 2-6 | ZAN | GAS | 60 LT AUTO.REFILL |
| 372272 | Z7BSEHINF0 | g | 2-6 | ZAN | EL | 60 LT |
| 372273 | Z7BSEHINFR | h | 2-6 | ZAN | EL | 60 LT AUTO.REFILL |
| 373269 | A7BSGHINF0 | i | 2-6 | OEM | GAS | 60 LT |
| 373272 | A7BSEHINF0 | i | 2-6 | OEM | EL | 60 LT |

| Pag | Index | Indice | Note |
|--------|--------------------------|--------------------------|------|
| 2 | Components | Componenti | |
| 3 | Colapasta | Colander | |
| 4,5 | Gas components & nozzels | Componenti Gas ed ugelli | |
| 6 | Eletric components | Componenti Elettrici | |
| 7 | Auto refill components | Componenti caric. autom. | |
| 8/9/10 | Spare parts list | Lista ricambi | |

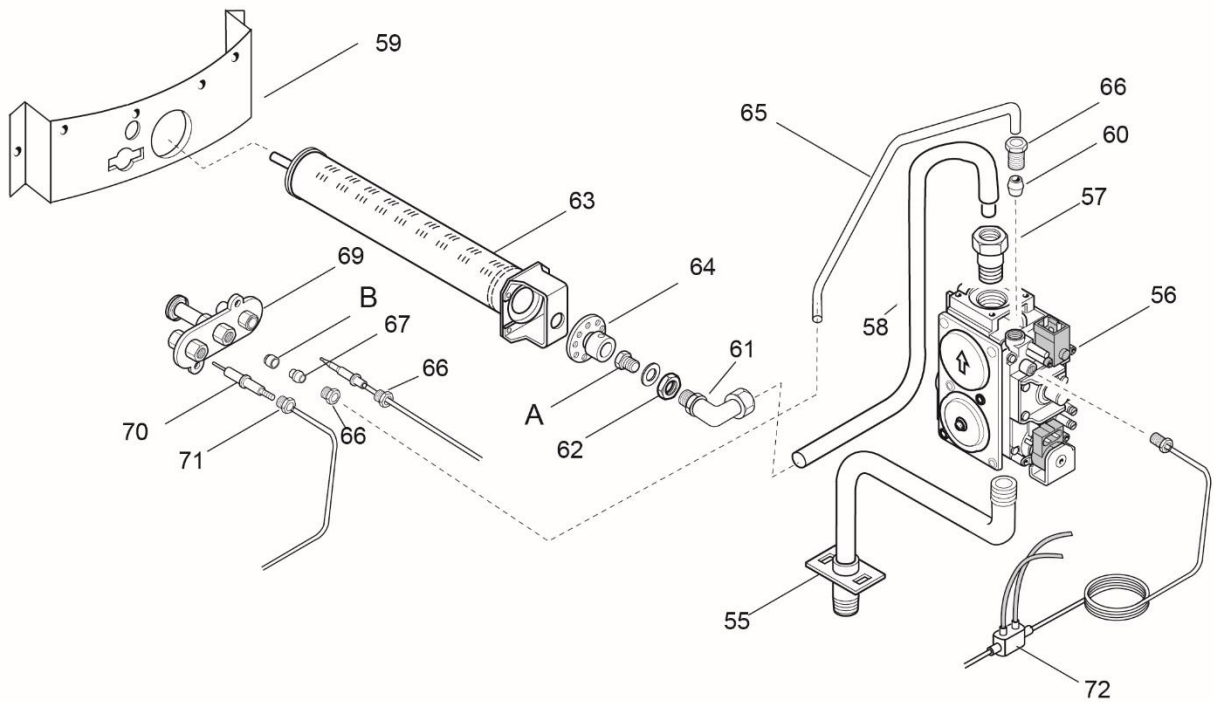
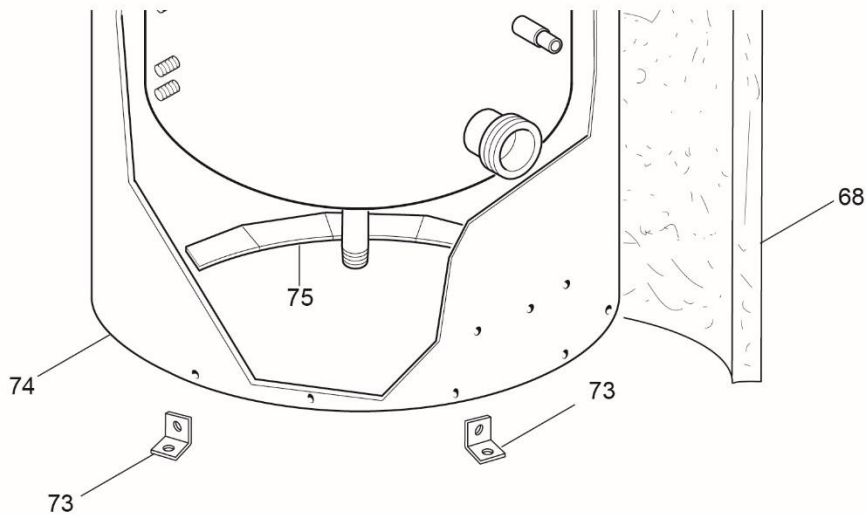
 Brand/Marchio: All
 Factory code: 9PDX



| | | | | |
|----|-----|----|-----|-----|
| LT | Ø | A | B | H |
| 60 | 350 | 55 | 385 | 440 |



| Factory Code | Spare Code | Descrizione | Description | Ref./Note |
|---------------------|-------------------|--------------------|--------------------|------------------|
| E73900320 | 0TTZQ0 | COLAPASTA 60LT | COLANDER 60LT | |

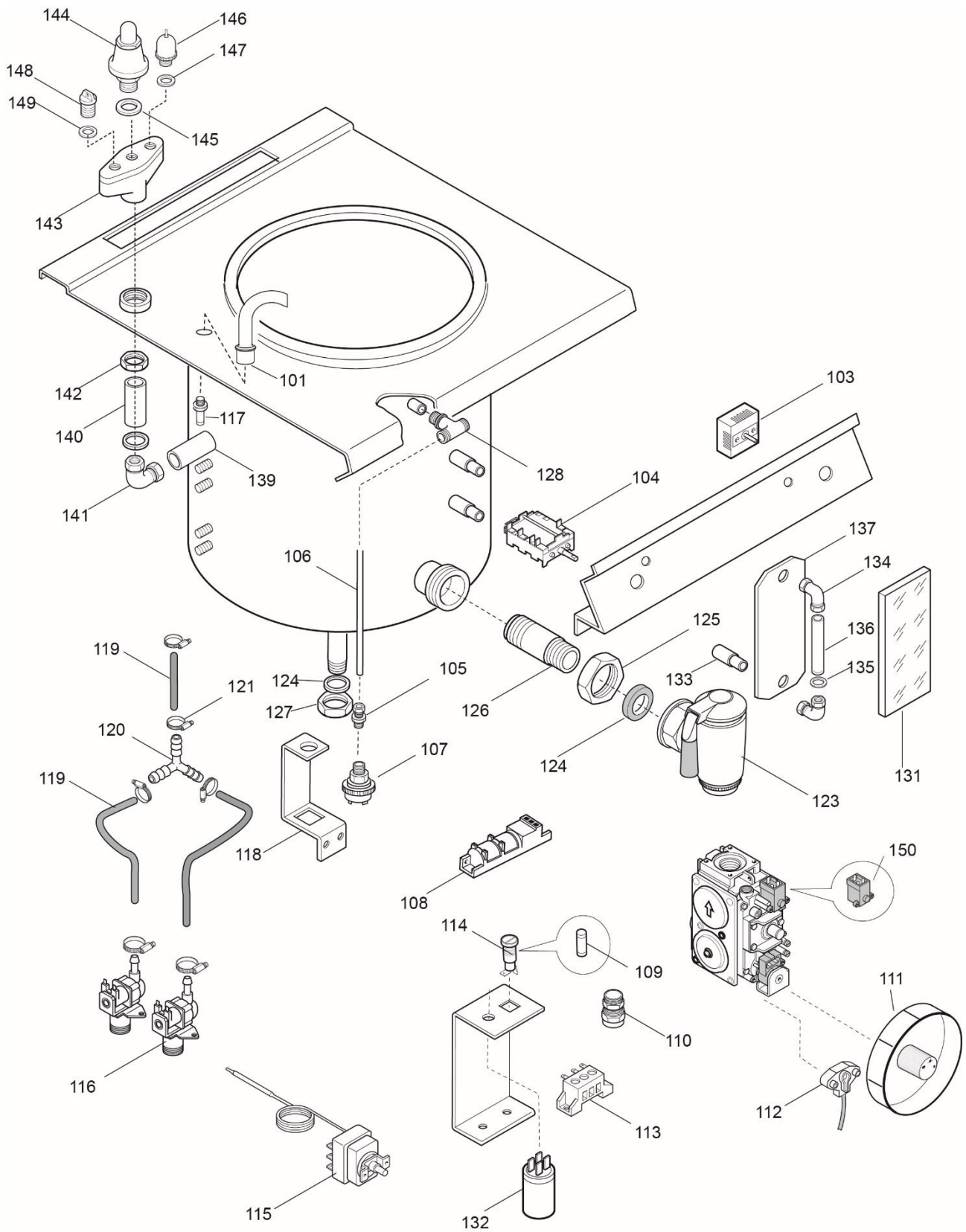


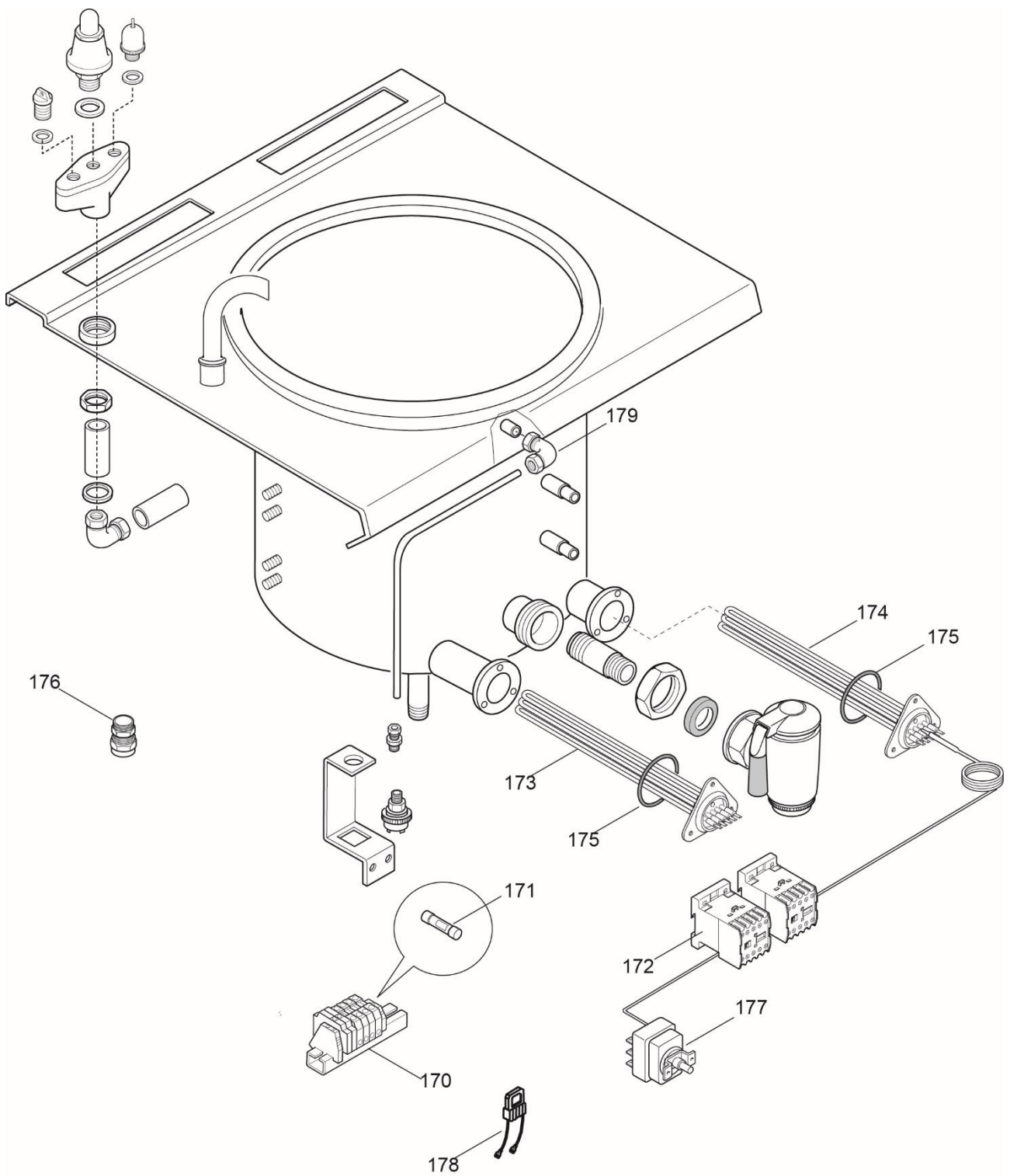
A - Ugello bruciatore / Burner nozzle

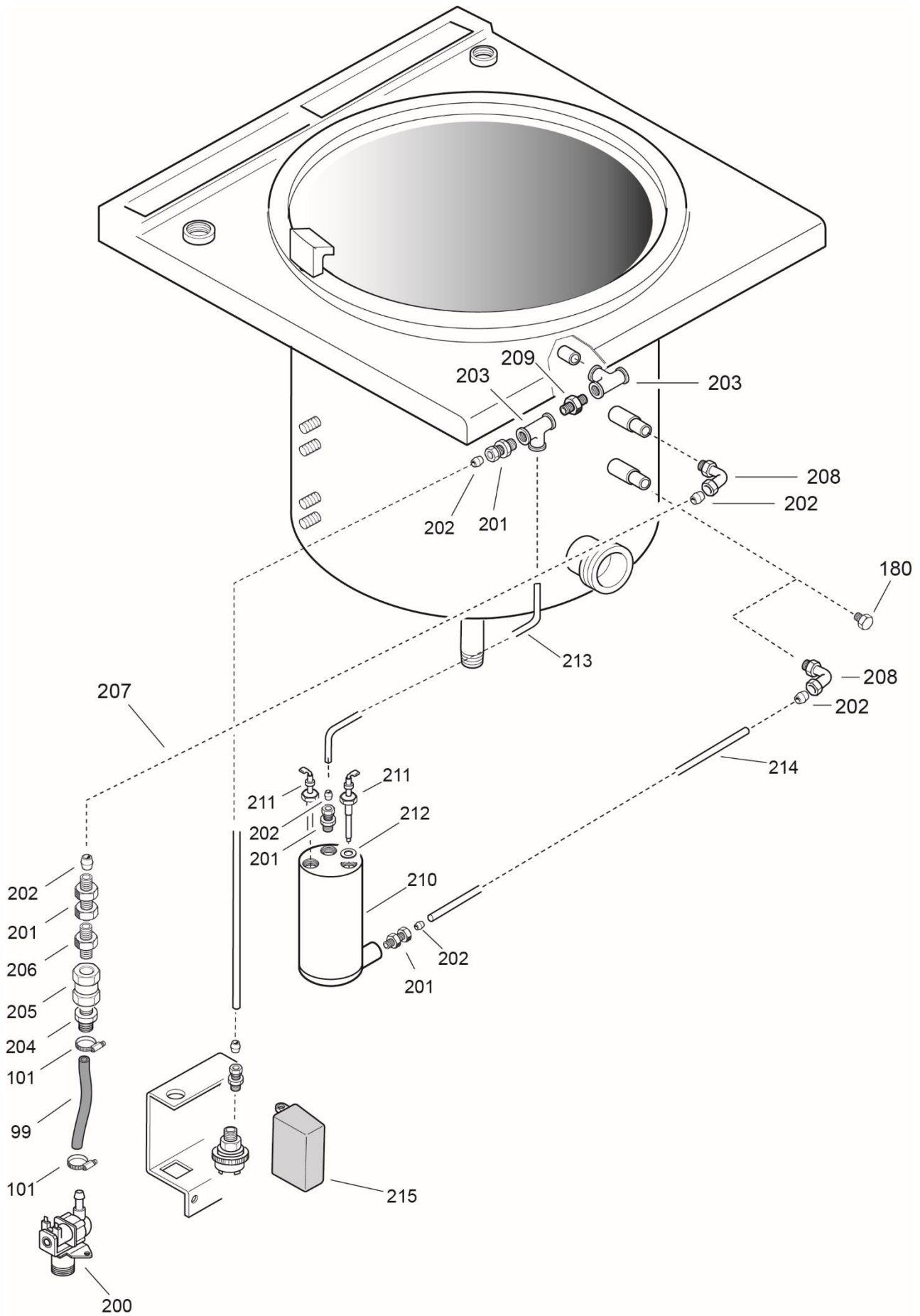
| 6DGT Code | Ref. / Notes |
|-----------|-------------------------|
| 0C0509 | ø1.85 3+3B/P G30 30mbar |
| 003723 | ø1.75 3B/P G30 37mbar |
| 054127 | ø1.65 3B/P G30 50mbar |
| 0C0551 | ø2.85 2H/2E+ G20 20mbar |
| 0C0747 | ø2.70 2H G20 25mbar |
| 004856 | ø2.95 2L G25 25mbar |
| 0C0551 | ø2.85 2K G25.3 25mbar |
| 054632 | ø3.10 2ELL G25 20mbar |
| 004856 | ø2.95 2S G25.1 25mbar |
| 0C3079 | ø6.25 No CE G110 8mbar |

B - Ugello pilota / Pilot nozzle

| 6DGT Code | Ref. / Notes |
|-----------|------------------------|
| 053667 | n°30 3+3B/P G30 30mbar |
| 053667 | n°30 3B/P G30 37mbar |
| 053667 | n°30 3B/P G30 50mbar |
| 053670 | n°41 2H/2E+ G20 20mbar |
| 053670 | n°41 2H G20 25mbar |
| 053670 | n°41 2L G25 25mbar |
| 053670 | n°41 2K G25.3 25mbar |
| 053670 | n°41 2ELL G25 20mbar |
| 053670 | n°41 2S G25.1 25mbar |
| 053669 | n°75 No CE G110 8mbar |







**PENTOLE GAS INDIRETTE 60Lt E700XP
GAS BOILING PAN INDIRECT HEATING 60Lt E700XP**

| <i>Pos</i> | <i>Factory Code</i> | <i>Spare Code</i> | <i>Descrizione</i> | <i>Description</i> | <i>Ref./Note</i> |
|------------|---------------------|-------------------|-------------------------------|-----------------------------|---------------------|
| 1 | 050489KH03 | * | FONDO PENTOLA GAS 60Lt | BOTTOM PANEL BOIL.PAN 60Lt | GAS |
| 1 | 050489KJ02 | * | FONDO PENTOLA ELE 60Lt | BOTTOM PANEL BOIL.PAN 60Lt | EL |
| 2 | 0835856901 | 0C0204 | PIEDE | FOOT | |
| 3 | 050589CD00 | * | PIASTRA DI RINFORZO PER PIEDI | PLATE FOR FOOT | |
| 4 | 085089FF01 | 0C8598 | RIVESTIMENTO LATERALE | EXTERNAL PANEL | ELX |
| 4 | 085089FJ01 | * | RIVESTIMENTO LATERALE | EXTERNAL PANEL | ZAN, OEM |
| 5 | 0699802200 | 0C1605 | REGOLATORE DI ENERGIA | ENERGY REGULATOR | |
| 6 | 050389LM00 | 0C7705 | GRIGLIA CAMINO | GRID FOR CHIMNEY | |
| 7 | 0641802400 | 059544 | COMMUTATORE 4 POSIZIONI | SWITCH 4 POSITION | |
| 7 | 0641805401 | 0C9180 | COMMUTATORE 4 POSIZIONI | SWITCH 4 POSITION | |
| 8 | * | * | SQUADRETTA FISSAGGIO RECIP. | BRACKET, CONTAINER FIXING | |
| 9 | 0527850500 | 0C0156 | PIASTRA FISSAGGIO FIANCHI | SIDE PANEL JOINTING PLATE | |
| 10 | 087089CQ01 | 0C7706 | RIPIANO PENTOLA DIRETTA 60Lt. | SHELF, IND.BOLING PAN 60Lt | ELX |
| 10 | 087089KU01 | 0C7709 | RIPIANO PENTOLA DIRETTA 60Lt. | SHELF, IND.BOLING PAN 60Lt | ZAN, OEM |
| 11 | 0873858601 | 0C2640 | ASSIEME PENTOLA | TANK | |
| 12 | 0543821900 | 0C2496 | GUARNIZIONE PER CRUSCOTTO | GASKET, CONTROL PANEL | |
| 13 | 085089DM02 | 0C7537 | CRUSCOTTO | CONTROL PANEL | ELX |
| 13 | 087089GV01 | 0C7558 | CRUSCOTTO | CONTROL PANEL | ZAN |
| 13 | 050389TS01 | 0C8058 | CRUSCOTTO | CONTROL PANEL | OEM |
| 14 | 050389Y800 | 0C7812 | PANNELLO FRONTALE 60 L | FRONT PANEL BOIL.PAN 60Lt | AS |
| 14 | 050389Y900 | 0C7813 | PANNELLO FRONTALE 60 L | FRONT PANEL BOIL.PAN 60Lt | EL |
| 14 | 050389YA00 | 0C7814 | PANNELLO FRONTALE 60 L | FRONT PANEL BOIL.PAN 60Lt | GAS - AUTO REFIL |
| 14 | 050389YB00 | 0C7815 | PANNELLO FRONTALE 60 L | FRONT PANEL BOIL.PAN 60Lt | EL - AUTO REFIL |
| 15 | 0530800800 | 0C1575 | PANNELLINO BOCCHETTONE | PANEL FOR DRAIN TAP | |
| 16 | 0310122725 | 027114 | GRIGLIA DI SCARICO | DRAIN GRID | |
| 17 | 0858800100 | 0C1876 | KIT ANTI-CORROSIONE | ANTICORROSIVE KIT | |
| 19 | 0516860702 | 0C0137 | PIASTRINA GIUNZIONE | JOINTING REAR PLATE | |
| 20 | 0511850G01 | 0C6670 | MANOPOLA | KNOB | ELX |
| 20 | 0548877V00 | 0C7345 | ADATTATORE MANOPOLA | KNOB, ADAPTER | ELX |
| 20 | 0548878201 | 0C7232 | MANOPOLA | KNOB | ZAN |
| 20 | 0548865500 | 0A5621 | MANOPOLA | KNOB | OEM |
| 21 | 0214590701 | 025245 | MOLLETTA PER MANOPOLA | SPRING, KNOB | |
| 22 | 0543821000 | 053816 | GUARNIZIONE MANOPOLA | GASKET, KNOB | |
| 23 | 0548877B01 | 0C7526 | GHIERA CARICO ACQUA | KNOB RING, WATER | ELX |
| 23 | 0548879M00 | 0C7532 | GHIERA CARICO ACQUA | KNOB RING, WATER | ZAN, OEM |
| 24 | 0548877U00 | 0C7527 | GHIERA REGOLATORE ENERGIA | KNOB RING, ENERGY REGULATOR | ELX |
| 24 | 054887A200 | 0C7534 | GHIERA REGOLATORE ENERGIA | KNOB RING, ENERGY REGULATOR | ZAN, OEM |
| 25 | 0218912211 | 069567 | MOLLETTA PER GHIERA MANOPOLA | SPRING, KNOB RING | |
| 26 | 0541813800 | 0C6171 | RONDELLA SILICONE | SILICONE GASKET | |
| 29 | 0876800002 | 005010 | LAMPADA SPIA VERDE | GREEN LAMP | |
| 30 | 0876800201 | 0C0687 | LAMPADA SPIA ROSSA | RED LAMP | |
| 31 | 0806806204 | 004843 | COPERCHIO PENTOLA | LID PAN | |
| 32 | 0517847707 | 004844 | MANIGLIA PENTOLA | HANDLE, LID PAN | |
| 33 | 0517847904 | 004845 | DISTANZIALE MANIGLIA | SPACER FOR HANDLE | |
| 34 | 0806844802 | 0C2982 | SUPPORTO COPERCHIO | LID SUPPORT | |
| 35 | 0523815207 | 0C8724 | COPERTURA CERNIERA | COVERING HINGE | |
| 36 | 0516829901 | 004850 | MOLLA COPERCHIO | SPRING LID | |
| 37 | 0516829804 | 004846 | PENO CERNIERA | PIN HINGE | |
| 38 | 0527800402 | 0A5570 | BLOCCO ESTERNO CERNIERA | HINGE EXTERNAL BLOCK | |
| 39 | 0527800501 | 0A5571 | BLOCCO INTERNO CERNIERA | HINGE INTERNAL BLOCK | |
| 40 | 0A05664001 | 0A2612 | AGGANCIO | HOOK | |
| 41 | 0A05918800 | 0C5084 | SPINA ELASTICA | ELASTIC PIN | |
| 42 | | | | | |
| 43 | | | | | |

PENTOLE GAS INDIRECTE 60L E700XP
GAS BOILING PAN INDIRECT HEATING 60L E700XP

| <i>Pos</i> | <i>Factory Code</i> | <i>Spare Code</i> | <i>Descrizione</i> | <i>Description</i> | <i>Ref./Note</i> |
|------------|---------------------|-------------------|-------------------------------|-----------------------------|------------------|
| 44 | 0508837201 | 002534 | SPORTELLINO, FORO D'ISPEZIONE | DOOR, INSPECTION HOLE | |
| 45 | 0527843000 | 0C1563 | SPORTELLINO PER VALVOLA | DOOR, GAS VALVE | |
| 46 | 0214473001 | 026187 | PERNO PER SPORTELLINO | PIN, FIXING DOOR | |
| 47 | 0502899404 | * | SUPERIORE CAMINO | FRONT WALL CHIMNEY | |
| 48 | 0502899504 | * | INFERIORE CAMINO | BACK WALL CHIMNEY | |
| 49 | 0140088006 | 0L0113 | GUARNIZIONE | GASKET | |
| 55 | 0805899H04 | 0C6379 | TUBO ENTRATA GAS | GAS PIPE | GAS |
| 56 | 0835819901 | 002903 | VALVOLA SIT | GAS VALVE SIT | GAS |
| 57 | 0830873200 | 002074 | RACCORDO DRITTO | CONNECTION, OUT VALVE | GAS |
| 58 | 0517893501 | 0C8064 | CONDUTTURA VALVOLA-BRUC. | GAS PIPE VALVE-BURNER | GAS |
| 59 | 0502899003 | 0C1624 | PANNELLO ANTERIORE SUPP.BRUC. | FRONT PANEL, BURNER SUPPORT | GAS |
| 60 | 0515827401 | 053665 | BICONO | DOUBLE CONE | GAS |
| 61 | 0511805401 | 059250 | PORTAUGELLO | NOZZLE HOLDER | GAS |
| 62 | 0214105101 | 020997 | CONTRODADO | LOCK NUT, NOZZLE HOLDER | GAS |
| 63 | 0830816204 | 004847 | BRUCIATORE | BURNER | GAS |
| 64 | 0830828001 | 054039 | AREATORE | AREATOR | GAS |
| 65 | 0517893601 | 0C8063 | CONDUTTURA PILOTA | PILOT PIPE | GAS |
| 66 | 0214164400 | 052125 | RACCORDO | CONNECTION | GAS |
| 67 | 0215199700 | 052127 | BICONO SPECIALE | DOUBLE CONE | GAS |
| 68 | 0560850402 | 0CB325 | PANNELLO ISOLANTE | INSULATION | GAS |
| 69 | 0A05488001 | 0A2472 | BRUCIATORE PILOTA | PILOT BURNER | GAS |
| 70 | 0330272401 | 052610 | ELETTRODO ACCENSIONE | ELECTRODE IGNITION | GAS |
| 71 | 0214164101 | 057960 | RACCORDO FISS. CANDELA | NIPPLE, ELECTRODE | GAS |
| 72 | 0831818901 | 0C3162 | TERMOCOPPIA INTERROTTA | INTERRUPTED THERMOCOUPLE | GAS |
| 73 | 0508818601 | 0C0814 | SQUADRETTA TAMBURNO FONDO | PLATE FOR FIXING CYLINDER | GAS |
| 74 | 0533821804 | * | TAMBURNO FUMI | CYLINDER, COMBUSTION | GAS |
| 75 | 0524898001 | * | ANELLO FUMI | RING | GAS |
| 101 | 0831840901 | 0C4146 | EROGATORE ACQUA | WATER DISTRIBUTOR | |
| 102 | | | | | |
| 103 | 0699802200 | 0C1605 | REGOLATORE ENERGIA | ENERGY REGULATOR | |
| 104 | 0641802400 | 059544 | COMMUTATORE | COMMUTATOR | |
| 105 | 0515863500 | 0C0888 | RACCORDO PER PRESSOSTATO | NIPPLE,PRESSURE SWITCH | |
| 106 | 0517893700 | 0CA058 | CONDUTTURA PRESSOSTATO | PIPE,PRESSURE SWITCH | |
| 107 | 0646815500 | 0C4083 | PRESSOSTATO | PRESSURE SWITCH | |
| 108 | 0624804700 | 004240 | ACCENDITORE | LIGHTER | GAS |
| 109 | 0452140500 | 057783 | FUSIBILE AUSILIARIO 4A | FUSE 4 A | GAS |
| 110 | 0544802200 | 0C2328 | PRESSACAVO | TOGHTENER CORD | GAS |
| 111 | 0548864302 | 0C3218 | MANOPOLA PER VALVOLA GAS | KNOB, GAS VALVE | GAS |
| 112 | 0830831400 | 054539 | MICRO | MICRO | GAS |
| 113 | 0639804900 | 046357 | MORSETTIERA | MAIN TERMINAL | GAS |
| 114 | 0652800401 | 056582 | PORTAFUSIBILE | FUSE HOLDER | GAS |
| 115 | 0646813200 | 0C0999 | TERMOSTATO TEMPERATURA FISSA | SAFETY THERMOSTAT | GAS |
| 116 | 0696805700 | 0C3254 | ELETTRIVALVOLA | MAGNETIC VALVE | |
| 117 | 0517881200 | 0C4455 | RACCORDO A RESCA | PIPE JUNCTION | |
| 118 | 0527842102 | 0C7083 | SUPPORTO PRESSOSTATO | PLATE,PRESSURE SWITCH | |
| 119 | 0140068008 | 002707 | TUBO CORAZZATO | FEEDING PIPE | |
| 120 | 0544615700 | 047431 | RACCORDO A Y | Y CONNECTION | |
| 121 | 0835823600 | * | FASCETTA | HOSE CLAMP | |
| 122 | | | | | |
| 123 | 0835832700 | 002520 | RUBINETTONE SCARICO | DRAIN TAP | |
| 124 | 0543800200 | 052902 | GUARNIZIONE SCARICO | GASKET DRAIN | |
| 125 | 0517881000 | 0C1577 | CONTRODADO RUBINETTONE | LOCK NUT DRAIN TAP | |
| 126 | 0516880201 | 0C2576 | PROLUNGA SCARICO | PIPE EXTENSION DRAIN | |
| 127 | 0210360300 | 051717 | DADO CIECO SCARICO INTERC. | CAP NUT DRAIN INTERSPACE | |
| 128 | * | * | GOMITO 3/4" | ELBOW 3/4" | |
| 129 | | | | | |
| 130 | | | | | |
| 131 | 0574807300 | 004861 | VETRINO CONTROLLO VISIVO | GLASS FOR VISUAL CONTROL | |
| 132 | 0694601000 | 046217 | FILTRO ANTIDISTURBO | FILTER | |

PENTOLE GAS INDIRECTE 60L E700XP
GAS BOILING PAN INDIRECT HEATING 60L E700XP

| <i>Pos</i> | <i>Factory Code</i> | <i>Spare Code</i> | <i>Descrizione</i> | <i>Description</i> | <i>Ref./Note</i> |
|------------|---------------------|-------------------|---|--|--------------------------------------|
| 133 | 0516882400 | 0CA731 | PROLUNGA PER TUBI LIVELLO | EXTENSION, LEVEL CONTROL TUBE | |
| 134 | 0830878901 | 002188 | RACCORDO TUBETTO IN VETRO | CONNECTION TO GLASS PIPE | |
| 135 | 0544802100 | 002923 | OR | OR | |
| 136 | 0574804201 | 002986 | TUBETTO CONTROLLO LIVELLO | PIPE FOR WATER LEVEL CONTROL | |
| 137 | 0508878101 | * | SCHERMO PER LIVELLO | PLATE, WATER LEVEL CONTROL | |
| 138 | | | | | |
| 139 | 0215111012 | 051681 | CONDUTTURA ORIZZONTALE | HORIZONTAL PIPE | |
| 140 | 02151110819 | 051680 | CONDUTTURA VERTICALE | VERTICAL PIPE | |
| 141 | 0510827701 | 0C8075 | GOMITO 3/4" | ELBOW 3/4" | |
| 142 | 0514857001 | 0CB324 | DADO | NUT | |
| 143 | 0210976402 | 054808 | POLMONE PORTA VALVOLE | SUPPORT VALVE | |
| 144 | 0835845101 | 004863 | VALVOLA SICUREZZA | SAFETY VALVE | |
| 145 | 0543804102 | 054807 | GUARNIZIONE VALVOLA | GASKET FOR VALVE | |
| 146 | 0335239101 | 051566 | VALVOLA DEPRESSIONE | DEPRESSION VALVE | |
| 147 | 0246005123 | 0C3448 | GUARNIZIONE VALVOLA DEPRES. | GASKET, DEPRESSION VALVE | |
| 148 | 0210362114 | 027297 | TAPPO PER POLMONE | TAP, SUPPORT VALVE | |
| 149 | 0246173500 | 027300 | GUARNIZIONE TAPPO | GASKET, TAP | |
| 150 | * | 0K3020 | BOBINA VALVOLA SIT 220/240V 50 Hz | COIL GAS VALVE SIT 220/240V 50 Hz | GAS |
| 170 | 0639805900 | 059794 | MORSETTIERA CON PORTAF. | MAIN TERMINAL | EL |
| 171 | 0452140500 | 057783 | FUSIBILE AUSILIARIO 4-A 250V | FUSE 4A - 250V | EL |
| 172 | 0648807400 | 006879 | CONTATTORE | CONTACTOR | EL |
| 173 | 0617816000 | 002523 | RESISTENZA 4.7KW 230V | HEATING ELEMENT 4.7kW 230V | EL up to 6441 |
| 173 | 0617839X01 | 0CA889 | RESISTENZA 4.7KW 220/230V CON PORTABULBO | HEATING ELEMENT 4.7kW 220/230V with BULBHOLDER | EL from 6451 See TB PDX2017-03 |
| 174 | 0617816100 | 002524 | RESISTENZA con PORTABULBO | HEATING ELEM. with BULBHOLDER | EL up to 6441 |
| 173 | 0617839X01 | 0CA889 | RESISTENZA 4.7KW 220/230V CON PORTABULBO | HEATING ELEMENT 4.7kW 220/230V with BULBHOLDER | EL from 6451 See TB PDX2017-03 |
| 175 | 0543800700 | 046213 | GUARNIZIONE PER RESISTENZA | GASKET, HEATING ELEMENT | EL |
| 176 | 0544802300 | 0C0068 | PRESSACAVO | TOGHTENER CORD | EL |
| 177 | 0646814900 | 0C2983 | LIMITATORE TEMPERATURA | SAFETY THERMOSTAT | EL |
| 178 | 0694805500 | 0C3805 | SNUBBER | SNUBBER | EL |
| 179 | 0A05633700 | 0CA130 | GOMITO | ELBOW | a, c, e, g, i |
| 180 | 511819900 | 0CB037 | TAPPO MASCHIO ART A7 FIL ¼ OT CRT METALWORK | MALE PLUG | AUTO REFILL |
| 200 | 0696805000 | 0C0938 | ELETTRIVALVOLA | WATER VALVE | AUTO REFILL |
| 201 | 0515863500 | 0C0888 | RACCORDO | NIPPLE | AUTO REFILL |
| 202 | 51689A800 | 0CB036 | BICONO DI TENUTA DIAM.6 | DOUBLE CONE DIAM.6 | AUTO REFILL |
| 203 | 0511820700 | 0C1449 | RACCORDO T | T UNION PIPE | AUTO REFILL |
| 204 | 0517881200 | 0C4455 | RACCORDO A RESCA | NIPPLE | AUTO REFILL |
| 205 | 0835825500 | 058258 | VALVOLA DI RITEGNO | NON RETURN VALVE | AUTO REFILL |
| 206 | 0511819600 | 0CA744 | RIDUZIONE | REDUCTION UNION PIPE | AUTO REFILL |
| 207 | 0831812100 | 0C0940 | CONDUTTURA ELETTR.-LIVELLO MAX | PIPE, MAGN.VALVE - MAX LEVEL | AUTO REFILL |
| 208 | * | * | RACCORDO A L | L UNION PIPE | AUTO REFILL |
| 209 | 0511820000 | 0CB035 | NIPPLO N8 ¼ GAS UNI 5192-86 | NIPPLE N8 ¼ GAS | AUTO REFILL |
| 210 | 0831812100 | 0C0940 | BOTTIGLIA CONTROLLO DI LIVELLO | BOTTLE, CONTROL LEVEL | AUTO REFILL |
| 211 | 0831812000 | 0C0939 | SONDA H175 | PROBE H175 | AUTO REFILL |
| 212 | 0516873100 | 0C5234 | DISTANZIALE | SPACER | AUTO REFILL |
| 213 | 0831812100 | 0C0940 | CONDUTTURA SFIATO BOTTIGLIA | PIPE, BOTTLE | AUTO REFILL |
| 214 | * | * | CONDUTTURA LIVELLO INF. | PIPE, DRAIN JACKET - BOTTLE | AUTO REFILL |
| 215 | 0646813400 | 0C0937 | REGOLATORE DI LIVELLO GICAR | GICAR, LEVER REGULATOR | AUTO REFILL |