

Ersatzteilliste-Explosionszeichnung Umluft-Gewerbekühlschrank **KK 702-2 Comfort**

[Art. 402729558]



Thermoregulator
 1M - full door

CABINETS GAB MASS

Dual temperature R290

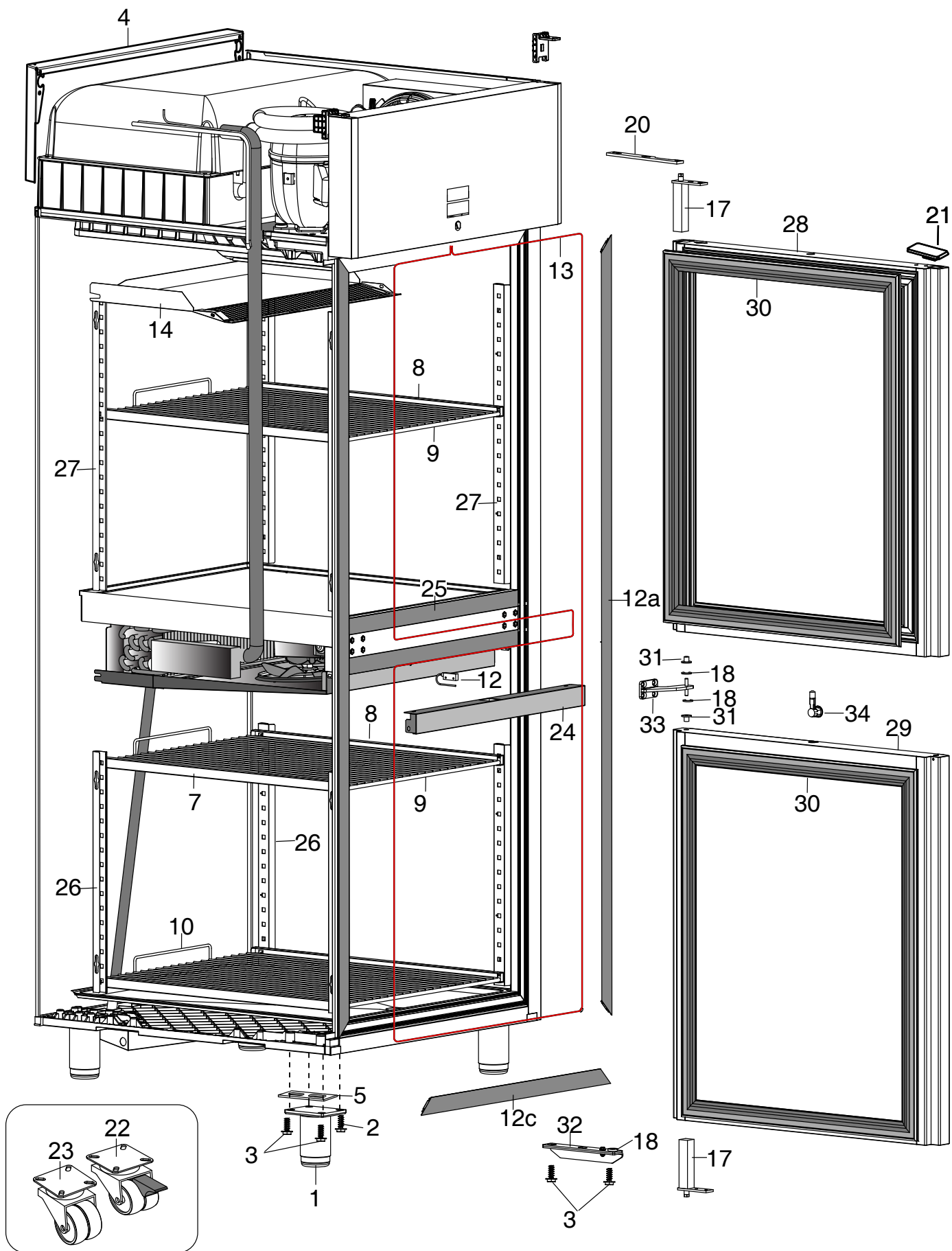
PNC	En.Ch	Model description	Brand	Ref	Pages
110359	00/00	2x½-DR DUAL REFR. 670L 0/0°C,DIG(R290)UK	Zanussi	e	2, 3, 5
110360	00/00	2x½DR DUAL REFR. 670L 0/-22,DIG(R290)UK	Zanussi	f	2, 4, 5
110371	00/00	2x½DUAL REFR 670L 0-22°C,DIG,S/S(R290)UK	Zanussi	g	2, 4, 5
110799	00/00	2x½-DOOR DUAL REFRIG 670L -2/-2°C, DIGIT	Zanussi	j	2, 3, 5
727398	15/15	FV Dual 1/2 doors R290 0°/0°C MASS - UK	To brand	a	2, 3, 5
727399	16/16	FV Dual 1/2 doors R290 0°/-22°C MASS - UK	To brand	b	2, 4, 5
727410	16/16	FV Dual 1/2 doors R290 0°/-22°C GAB - UK	To brand	c	2, 4, 5
727470	11/11	FV Dual 1/2 doors R290 -2/-22°C MASS MC DONALDS IT	To brand	d	2, 4, 5
727828	00/00	2x½-DOOR DUAL REFRIG 670L -2-2°C, DIGIT-R290	Elux	k	2, 3, 5
729100	00/00	2x½-DR DUAL REFR. 670L 0/0°C,DIG(R290)UK	Alpen	h	2, 3, 5
729101	00/00	2x½DR DUAL REFR. 670L 0/-22,DIG(R290)UK	Alpen	i	2, 4, 5
729112	00/00	2x½DUAL REFR 670L 0-22°C,DIG,S/S(R290)UK	Alpen	l	2, 4, 5
729319	00/00	2x½DR DUAL REFR. 670L 0/-22,DIG(R290)UK	To brand	m	2, 4, 5
729329	00/00	2x½DUAL REFR 670L 0-22°C,DIG,S/S(R290)UK	To brand	n	2, 4, 5
729558	00/00	2x½-DOOR DUAL REFRIG 670L -2/-2°C, DIGIT	Alpen	o	2, 3, 5

Note: per la corretta identificazione dei componenti, attenersi esclusivamente alle pagine indicate e alla lettera di riferimento.

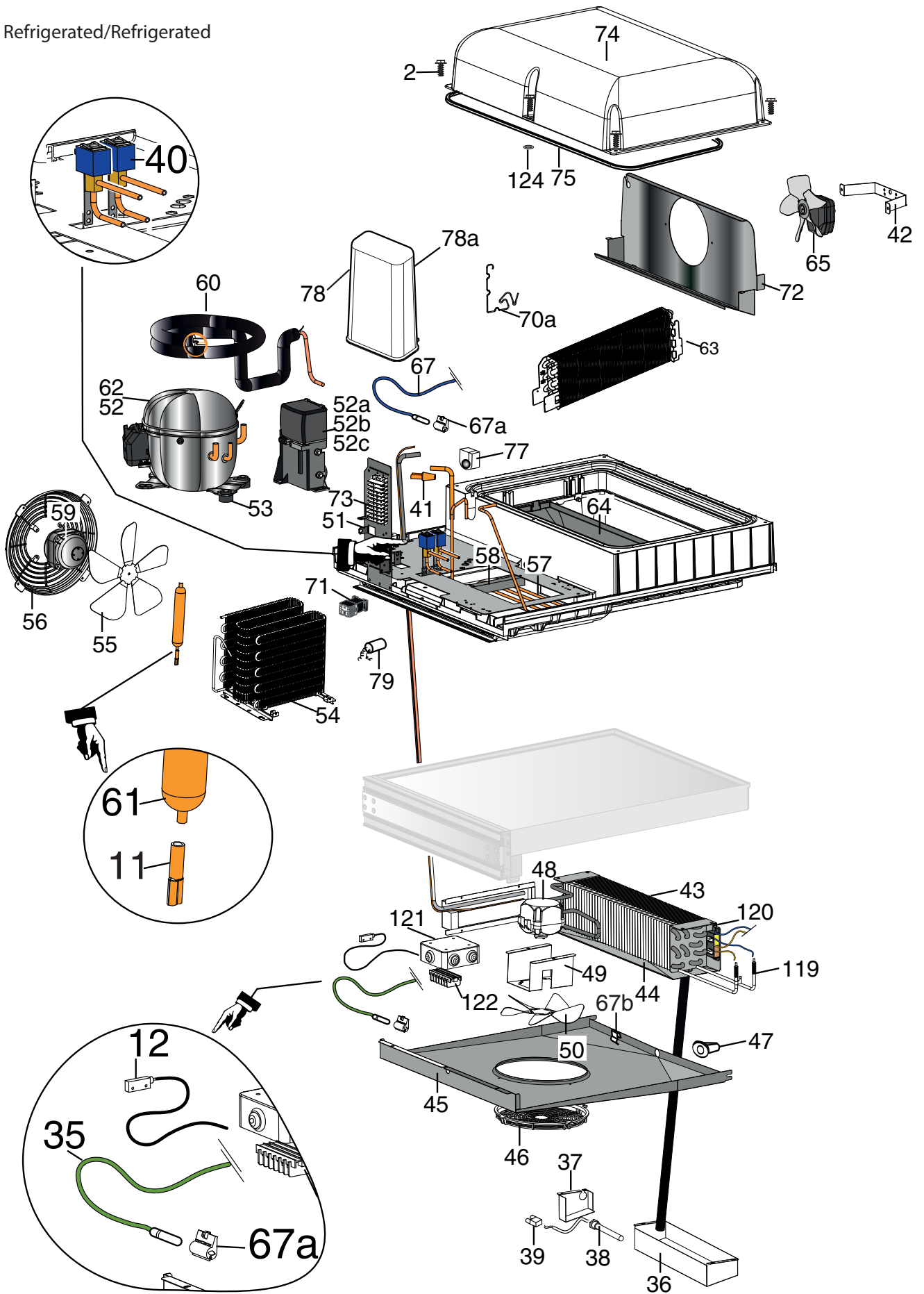
Note: for the correct identification of the components, follow the indicated pages and the reference letter

Pag.	Index	Indice
2	Cabinet and door	Armadio e porta
3,4	Cooling unit assembly	Gruppo refrigerante
5	Control panel	Pannello comandi
6,7,8	Spare parts list	Lista ricambi

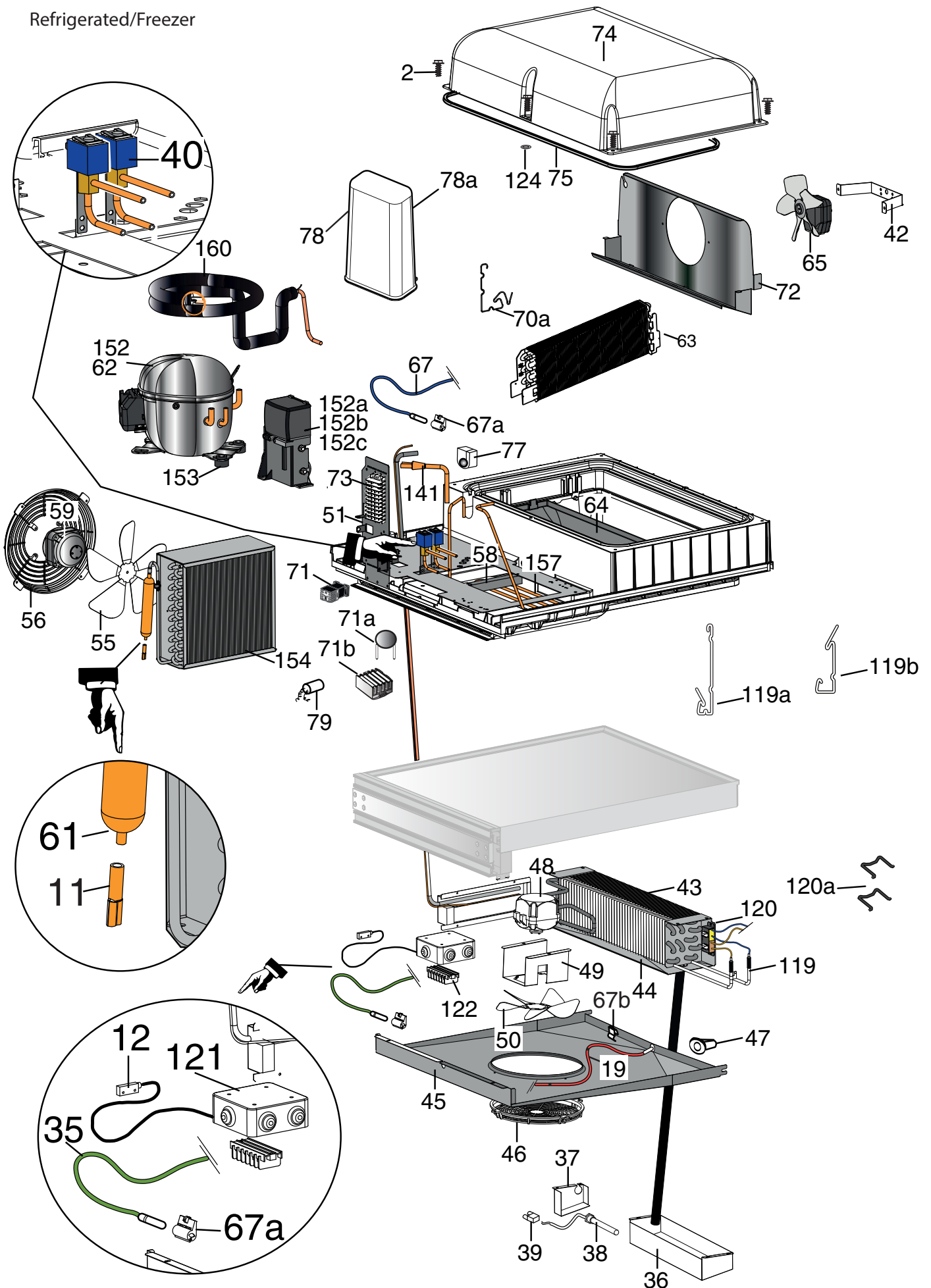
Rev 6



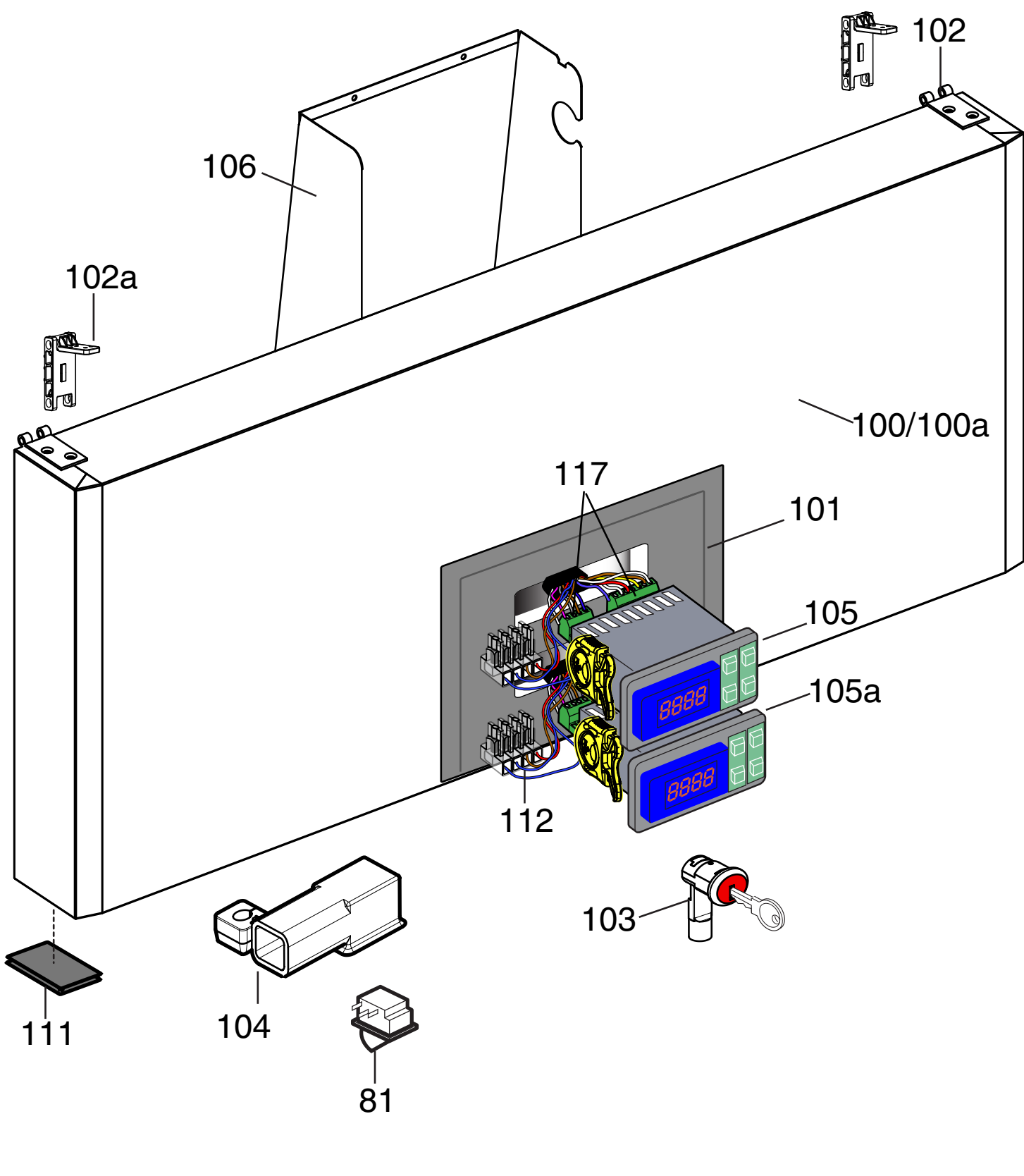
Refrigerated/Refrigerated



Refrigerated/Freezer



99



Pos	Spare parts code	Factory code	Descrizione	Description	Ref - Note
1	093243	541R05001	Piedino	Foot	
2	093245	217555204	Vite per plastica per piedino	Screw (use by fix foot)	
3	093246	518708601	Vite M8x20 per fiss. staffa sup/inf	Screw M8X20 (use by fix bracket)	
4	093247	502R17400	Staffa supporto fianchi	Side support	
5	093248	546R22800	Distanziale per piede	Foot spacer	
7	093250	501R47900	Guida Sx A430	Left support	
8	093251	501R48100	Guida Dx A430	Right support	
9	093252	514R10600	Griglia 2/1 rilsan	Grid 2/1rilsan	
10	093253	514R12200	Griglia di fondo rilsan	Bottom grid rilsan	
11	*	515R13802	Raccordo per capillare	Joint capillary	
12	092319	640R01402	Micro porta inferiore	Lower door swith	
12a	093254	832R09001	Cornice orizzontale	Horizontal frame	
12c	093256	832R09300	Cornice verticale 1/2 porte	Vertical frame 1/2 doors	
13	093331	617R07500	Cavo riscaldante cornice 28,35 W	Heating cable frame 28,35 W	b,c,d
13	093362	617R07301	Cavo riscaldante	Heating cable	j,k,o
14		875R37400	Assieme carter interno	Internal protection assembly	
17	082219	835704001	Cerniera porta	Hinge door	
18	093517	546R23100	Boccola per porta	Door bush	
19	093534	617R07601	Resistenza scarico condensa	Discharge heating element	b,c,d
20	082257	505723801	Staffa superiore porta	Upper stirrup door	
21	093271	541R05301	Tappo per cerniere	Hole hinge plug	
22	093575	835R24900	Ruota rotante con freno	Brake weel	
22	087110	835739900	Ruota rotante con freno	Brake weel	d
23	093574	835R24800	Ruota rotante	Weel	
23	087111	835740000	Ruota rotante	Weel	d
24	093582	501R46702	Protezione evap. vano inferiore	Evaporator lower protection	
25	093272	832R10000	Cornice per traversa	Support half door frame	
26	093276	501R51600	Cremagliera ant./post 1/2 porte	Lower rack 1/2 doors a430	
27	093275	501R51800	Cremagliera ant./post 1/2 porte	Upper rack 1/2 doors a430	
28	093585	835R25410	Ass.1/2 porta superiore A304	Upper half door A304	a,b,d
28	093586	835R27909	Ass.1/2 porta superiore A430	Upper half door A430	c
29	093519	835R25509	Ass.1/2 porta inferiore A304	Lower half door A304	a,b,d
29	093520	835R27808	Ass.1/2 porta inferiore A430	Lower half door A430	c
30	094153	548R08100	Guarnizione magnetica 1/2 porte	Half door gasket	
31	093393	546R21100	Boccola per cerniera 1/2 porte	Half door bush	
32	093301	833R21900	Ass. cerniera inferiore	Lower hinge assembly	
33	093344	505R12400	Cerniera centrale	Central hinge door	
34	093433	833R21100	Serratura	Serratura	
35	092183	646R07800	Sonda vano inferiore	Lower probe compartement	
36	093583	501R45802	Bacinella inferiore	Lower evaporator water basin	
37	*	501R58202	Protezione ptc	PTC protection	

Pos	Spare parts code	Factory code	Descrizione	Description	Ref - Note
38	093533	617R06601	Resistenza ptc 120W	PTC 120 W	
39	*	639R12000	Connettore Maschio 3 vie	Male connector for ptc	
40	093435	646R10501	Elettrovalvola 220/23V 50 /60 hz	Solenoid valve 220/23V 50 /60 hz	Up to 4151
40	094435	646R10502	Elettrovalvola 220/23V 50 /60 hz	Solenoid valve 220/23V 50 /60 hz	From 4161
41	*	515R19501	Giunzione per condensatore	Dual way connection for condenser	
42	093326	501R45101	Staffa ventilatore Mes/FIME	Fan support mes/FIME	
43	095102	830R06102	Evaporatore vano inferiore 4R 5T	Lower evaporator4R 5T	
44	093592	501R45902	Baccinella	Lower basin (evaporator)	
45	093440	833R21303	Baccinella/carter raccolta condensa	Condenser water basin/carter evap.	
46	091602	546R06100	Griglia protezione ventola	Fan protection	
47	091652	544R02501	Tube di scarico	Discharge pipe	
48	093366	682R05900	Ventilatore EBM	Ventilator	Up to 5051
48	094477	682R08600	Ventilatore EBM	Ventilator	From 5061
49	096564	502R17002	Supporto ventilatore	Fan support	
50	089696	511708000	Ventola 200x34	Fan 200x34	
51	093332	501R41502	Supporto impianto elettrico	Electrical wiring support	
52	093426	684R05900	Compressore EMT6152U R290	Compressor EMT6152U R290	
52a	*	*	Relè avviamento	Start relay	
52b	*	*	Protettore	Protector	
52c	*	*	Condensatore di avviamento	Start capacitor	
53	087122	518708401	Fissaggio compressore	Fixing compressor	
54	093431	830R06600	Condensatore 5R D4,76 (fili)	Condenser 4R D8 (wire)	
55	089697	511708800	Ventola 230-31	Ventola 230-31	
56	089755	546709500	Protezione ventola	Fan protection	
57	093259	515R12700	Serpentina evap. acqua di conden.	Evaporation water pipe	
58	093260	543R09300	Fissaggio serpentina	Stopper pipe	
59	093334	682R05300	Ventilatore condensatore (VN 10 20)	Condenser ventialtor (VN 10 20)	
60	*	858R10500	Scambiatore sup 134A	Heat exchanger (upper) 134A	up to 2431
60	*	858R07301	Scambiatore sup	Heat exchanger (upper)	from 2441
61	0A9410	805734802	Filtro 2 vie	Dehidrator filter	
62	0A8171	A02021800	Valvola per compressore	Compressor valve (charge or disch.)	
63	093323	830R03901	Evaporatore 2R 8T	Evaporator 2R 8T	
64	093469	546R19201	Vaschetta evaporatore	Evaporator tray	
65	093325	682R05701	Ventilatore evaporatore (FIME)	Evaporator fan (FIME)	up to 3071
65	093777	682R06601	Ventilatore evaporatore (FIME)	Evaporator fan (FIME)	from to 3081
65	093417	682R06100	Ventilatore evaporatore (MES)	Evaporator fan (MES)	d up to 3071
67	092173	646R06700	Sonda cella	Cavity probe	
67a	091061	546R07500	Gabbietta per sonda	Probe protection	
67b	093547	514R12900	Fermo per cavo riscaldante	Stopper/spring for heating cable	

Pos	Spare parts code	Factory code	Descrizione	Description	Ref - Note
70a	093353	514R12000	Molla per fissaggio resistenza	Heating element spring (small) 84 mm	j,k,o
71	093848	648R06300	Relè finder	Relay finder	
71b	093775	648R05700	Dissipatore OPTO 22	Dissipator OPTO 22	
71a	093776	648R05300	Varistore ELCO VAR285	Electrical heat exchanger	
72	093294	501R44001	Convogliatore evaporatore 1 fori	Evaporator conveyor one hole	
73	093599	639R10000	Morsettieria	Clamp	
74	093261	835R24101	Assieme Calotta	Evaporator cover	Up to 6181
74	095201	835R47601	Assieme Calotta	Evaporator cover	From 6191
*	095200	881R32401	Modulo Calotta TN	Evaporator cover Module TN	
*	095202	546R34400	Staffa per calotta schiumata	Support for foamed Evaporator	
75	093262	14701R003	Neoprene espa. 8x13,3 nero (M4)	Gasket cover (neoprene 8x13,3)	Up to 6181
77	093263	546R19702	Tamponcino per tubi	Pipe cover insulation	
78	094425	546R26501	Copertura scatola impianto elettrico	Wiring box cover	
78a	093976	546R26701	Scatola impianto elettrico	Wiring box	
79	092257	694R00501	Filtro antidisturbo	Electrical filter	j,k,o
81	087485	640712100	Micro porta	Door Switch	
99	*	880R70703	Ass.Cruscotto con controllore A430	ASS. Panel with controller A430	c,g,l,n
99	*	880R58705	Ass.Cruscotto con controllore A304	ASS. Panel with controller A304	a,b,d,e,f, h,i,j,k,m,o
100	*	850R13704	Cruscotto	Panel 430 AISI	c,g,l,n
100	093729	850R11705	Cruscotto	Panel 304 AISI	a,b,d,e,f, h,i,j,k,m,o
100a	*	509R15701	Cruscotto senza componenti	Panel without components	c,g,l,n
100a	095493	509R12803	Cruscotto senza componenti	Panel without components	a,b,d,e,f, h,i,j,k,m,o
101	093730	755R04001	Membrana adesiva	Stiker	Up to 7381
101	095025	598R8190	Membrana adesiva Zanussi	Zanussi sticker	For Zanussi products
101	095026	598R82001	Membrana adesiva Electrolux	Electrolux sticker	From 7391 for To Brand products
101	095027	598R82100	Membrana adesiva Alpen	Alpen sticker	For Alpen products
102	093609	832R10100	Cerniera per cruscotto dx	Hinge for panel	
102a	093610	832R10200	Cerniera per cruscotto sx	Hinge for panel	

PNC	Ref.	PNC	Ref.	PNC	Ref.	PNC	Ref.	PNC	Ref.	PNC	Ref.	PNC	Ref.
727398	a	727399	b	727410	c	727470	d						

Pos	Spare parts code	Factory code	Descrizione	Description	Ref - Note
103	093345	833R20900	Serratura	Latch	
104	092352	546R12100	Protezione micro	Swich protection	
105	093434	646R11100	Termoregolatore ir33 main	Thermoregulator premium main	To be set
105a	093438	646R11300	Termoregolatore ir33 slave	Thermoregulator premium slave	To be set
106	093295	501R37401	Protezione	Protection led-lamp	
111	093269	541R05401	Tappo fori cerniere	Plug for hinge	
112	093391	639R10400	Morsetto	Clamp	
117	*	639R06800	Connettore dritto 3 vie	Connector 3 ways right	
117	*	639R06900	Connettore dritto 7 vie	Connector 7 ways right	
117	099740	*	Connettore 90° 7 vie	Connector 7 ways 90°	
117	099741	*	Connettore 90° 5 vie	Connector 5 ways 90°	
117	088998	*	Connettore 90° 3 vie	Connector 3 ways 90°	
117	099743	*	Connettore 90° 3 vie piccolo	Connector 3 ways 90° small	
117	099742	*	Connettore 90° 2 vie	Connector 2 ways 90°	
117	091682	*	Connettore 90° 4 vie	Connector 4 ways 90°	
117	091684	*	Connettore 90° 5 vie	Connector 5 ways 90°	
*	093180	639R09600	Convertitore spina UK	UK plug converter	
119	093421	617R06502	Resistenza vano inferiore evap.	Heating element lower evaporator	
119	093327	617R06101	Resistenza con termostati	Heating element with thermostat	d,j,k,o
119a	093516	514R11200	Molla per fissaggio resistenza	Heating element spring	d
119b	093368	514R10801	Molla per fissaggio resistenza	Heating element spring	d,j,k,o
120	*	501R58101	Supporto termostati	Thermostat support	
120a	093487	514R11601	Molla per fissaggio termostati	Thermostat spring	d,j,k,o
121	093593	639R11600	Scatola Gewis	Scatola Gewis	
122	0A9312	639712400	Morsettiera	Clamp	
124	*	546R23900	Rondella	Washer	
141	096648	515R13601	Giunzione per condensatore	Dual way connection for condenser	
152	093422	684R05800	Compressore NT2170U 220-40/50	Compressor NT2170U 220-40/50	
152a	092587	*	Relè avviamento	Start relay	
152b	093751	*	Protettore	Protector	
152c	093752	*	Condensatore di avviamento	Start capacitor	
153	099872	541714500	Gommino compressore	Rubber compressor	
154	093333	830R04900	Condensatore alettato 4R 11T	Condenser 4R 11T	
157	093277	515R13700	Serpentina evap. acqua di conden.	Evaporation water pipe	
160	*	858R07300	Scambiatore sup	Heat exchanger (upper)	



NordCap GmbH & Co. KG
Thalendorststraße 15
28307 Bremen
Hauptsitz (Service, Finanzen & Personal, Lager, IT, Marketing)

Telefon: +49 421 48557-0
Telefax: +49 421 488650
E-Mail: bremen@nordcap.de

Die NordCap Verkaufsniederlassungen in Deutschland:

Nord: Hamburg • Ost: Berlin • Süd: Ingelheim • West: Erkrath



ALPENINOX