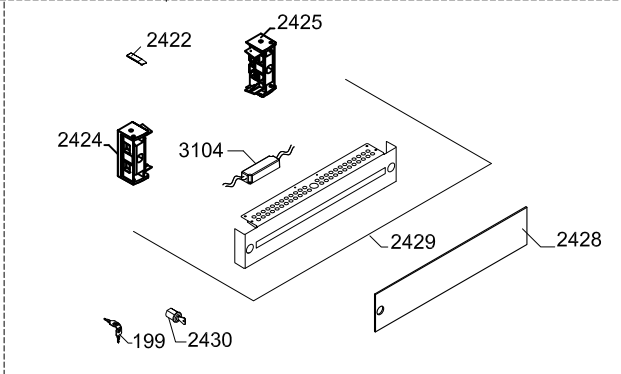
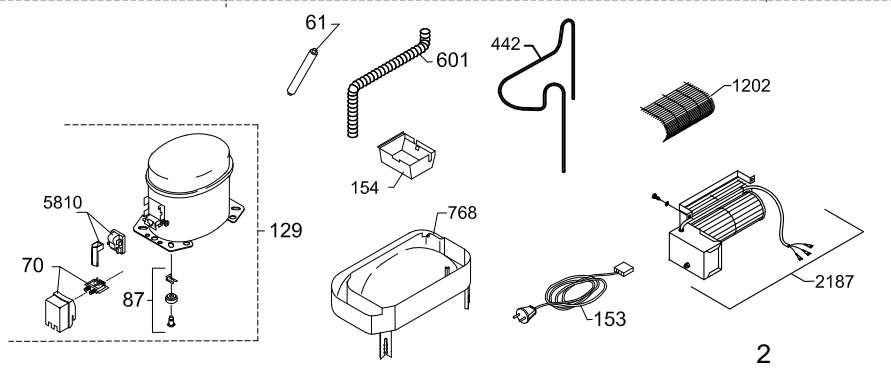
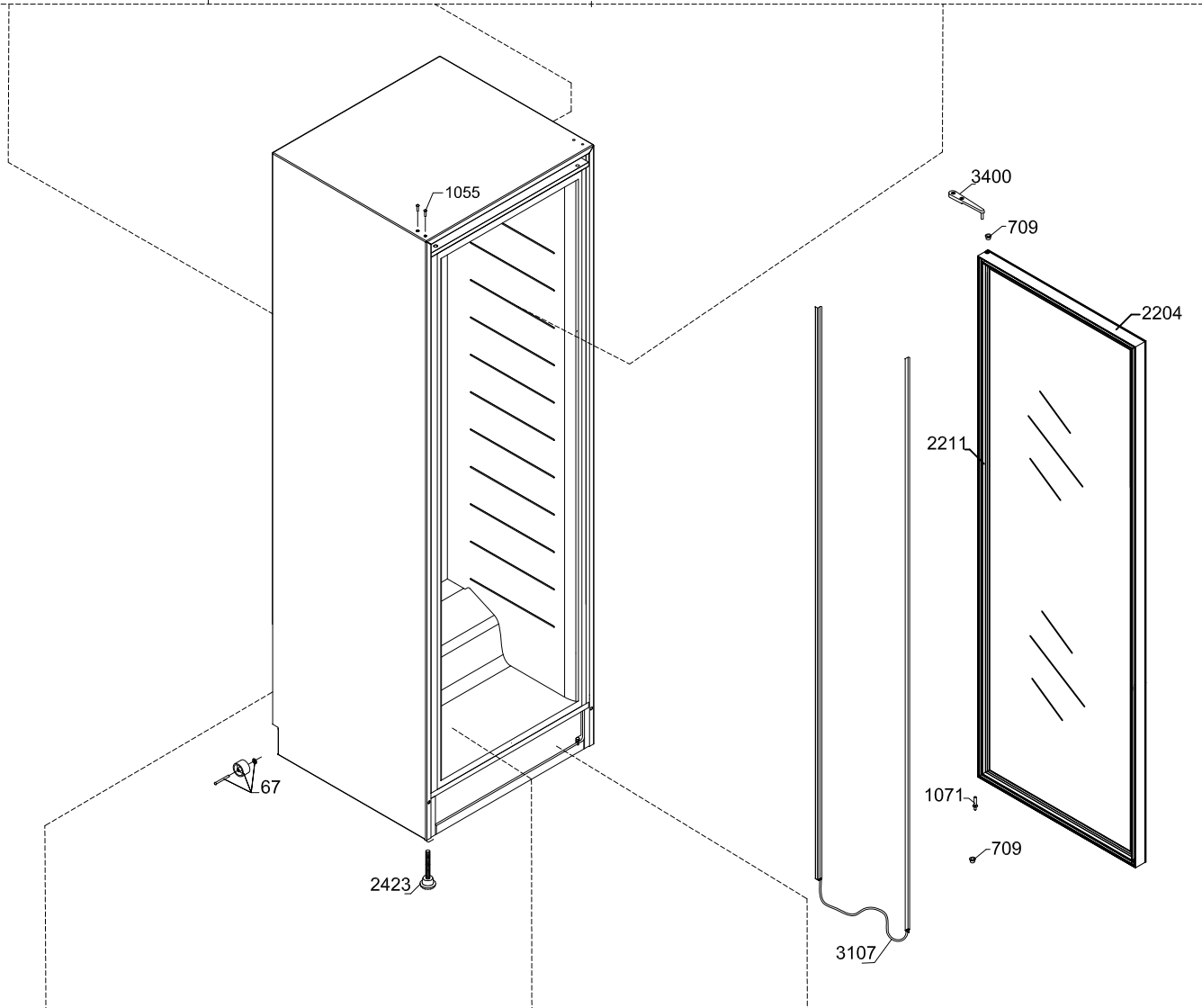
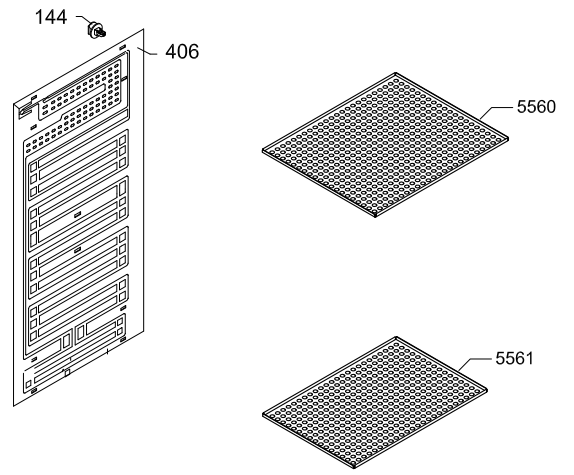
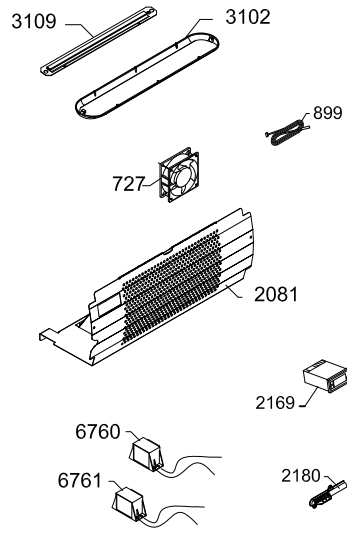
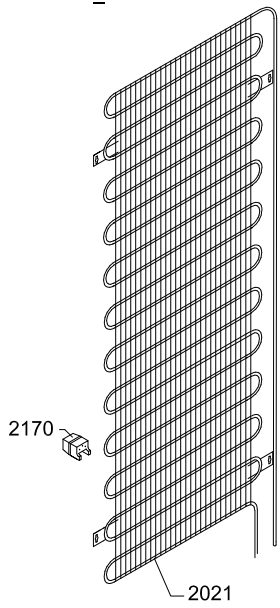


Ersatzteilliste-Explosionszeichnung

Glastürkühlschrank MG 185

[Artikel-Nr.: 477850185]





Position	Item number	Item name
0061	0-6538001	Filter drier,
0067	A5238026	Castor, complete
0070	6520101	Starting device 103N0476
0087	0-6038175	Base plate fittings, complete
0129	8-036038223	Compressor -NLE15KTK2
0144	0-52382260103	EVAPORATOR CLIPS - Black
0153	7535380	Power cord
0154	0-7038254	Cover for multiple plug
0199	0-4838236	Key set 2 pcs EUROLOCKS / Kulcs szett (2 kulcs / szett)
0406	6020274-03	Evaporator
0442	0-6216215	Tube, Evaporating tray
0601	3010823	Defrost water hose
0709	0-52387110103	Bush to bottom
0709	0-52391220103	Bush
0727	0-7039841	Fan
0768	0-5238493	Evaporating tray for NL-KOMPRESSOR - NY / Elpárolgató tál
0899	7020288	Thermostat phail
1055	0-52386620103	Covering - black
1071	1510079	Pivot
1202	0-4238408	Grate
2021	6010483	WOT condenser for 427, 861, 882 and 884
2081	0-4012261-03	Cover for fan - BLACK
2169	7095117	Electronic controller XR50CX
2170	0-A9301260103	Distance piece
2180	0-52393820103	Fittings for phial
2187	0-7050008	Fan,230v-50/60Hz.
2204	0-028000523	Door, complete, glass
2211	0-5239569-03	Gasket S861
2422	3010605-03	Gliding shoe for glass door
2423	1510175	Ajustable foot
2424	3040357-03	Door hinge - left
2425	3040358-03	Door hinge - right
2428	4010418-03	Glass plate
2429	A9137090294	Bottom panel - complete
2430	0-A9151272-03	Lock complete
3102	0-5239577-23	Light screen
3104	7090251	Trafo LPV-20-12
3107	7010530	Lightstrip
3109	7010541	LED light
3400	0-4050010-03	Hinge
5560	2041310	Perforated steel shelf 521x442
5561	2041315	Perforated steel shelf 521x362
5810	A921115	Starting device, 103N0021
6760	0-7039840	Transformer LED Licht
6761	0-7039839	Transformer Fan
XXXX	1006293	Wire diagram

Subject to changes without prior notice.

Finanzen/Service

28307 Bremen
Thalenhorststraße 15
Tel.+49 421 48557-0
Fax+49 421 488650
bremen@nordcap.de

Vertrieb Ost

12681 Berlin
Wolfener Straße 32/34, Haus K
Tel.+49 30 936684-0
Fax+49 30 936684-44
berlin@nordcap.de

Vertrieb West

40699 Erkrath
Max-Planck-Straße 30
Tel.+49 211 540054-0
Fax+49 211 540054-54
erkrath@nordcap.de

Vertrieb Nord

21079 Hamburg
Großmoorbogen 5
Tel.+49 40 766183-0
Fax+49 40 770799
hamburg@nordcap.de

Vertrieb Süd

55218 Ingelheim
Hermann-Bopp-Straße 4
Tel.+49 6132 7101-0
Fax+49 6132 7101-20
ingelheim@nordcap.de

