

# Ersatzteilliste-Explosionszeichnung

## Haubenspülmaschine Serie H8



**LAVASTOVIGLIE A CAPPOTTINA  
HOOD TYPE DISHWASHER**

**NHT8/ KHT8/ EHT8/ ZHT8I/ AHT8I/ EHT8I/ ZHT8TI/ EHT8TI**

Code	Type	Ref.	Pagina/Page	Code	Type	Ref.	Pagina/Page
504067	EHT8IROWM	h2	3 4 5 6	504261	EHT8IROW6	a6	3 4 5 6
504068	EHT8IROW6M	h3	3 4 5 6	504262	EHT8ILG4	a7	3 4 5 6
504069	EHT8IGM	h4	3 4 5 6	504263	EHT8ILG8	a8	3 4 5 6
504070	EHT8IG6M	h5	3 4 5 6	504264	EHT8IUSPH5	a9	3 4 5 6
504073	EHT8IELGM	h6	3 4 5 6 7	504265	EHT8IUSPH6	b1	3 4 5 6
504074	EHT8IELG6M	h7	3 4 5 6 7	504267	EHT8IS	e2	3 4 5 6
504075	EHT8IELGJM	h8	3 4 5 6 7	504268	EHT8IELGJ	d9	3 4 5 6 7
504076	EHT8IELGJ6M	h9	3 4 5 6 7	504269	EHT8IELGJ6	e1	3 4 5 6 7
504079	EHT8IEWSGR	g8	3 4 5 6 7	504270	ZHT8TIEL	w	3 4 5 6 7 8
504081	EHT8IWSGR	g9	3 4 5 6	504271	ZHT8TIL	x	3 4 5 6 7
504082	XHT8IG	h1	3 4 5 6	504272	ZHT8IELG	b2	3 4 5 6 7
504130	VHT8IG	g7	3 4 5 6	504273	ZHT8ILG	b3	3 4 5 6
<b>504149</b>	<b>EHTA060</b>	<b>m7</b>	<b>3 4 5 6 7</b>	504274	ZHT8IWSG	b4	3 4 5 6
<b>504150</b>	<b>ZHTA060</b>	<b>b5</b>	<b>3 4 5 6</b>	504275	ZHT8IG	b5	3 4 5 6
<b>504154</b>	<b>VHTA060</b>	<b>g7</b>	<b>3 4 5 6</b>	504276	ZHT8I	b6	3 4 5 6
504246	XHT8I	e4	3 4 5 6	504277	ZHT8IROW	b7	3 4 5 6
504250	EHT8TIEL	s	3 4 5 6 6 7	504278	ZHT8IROW6	b8	3 4 5 6
504251	EHT8TIL	t	3 4 5 6 6	504279	EHT8IELG4	c9	3 4 5 6 7
504252	EHT8TIELG4	u	3 4 5 6 6 7	504280	EHT8IELG8	d1	3 4 5 6 7
504253	EHT8TIELG8	v	3 4 5 6 6 7	504283	NHT8ILG	c3	3 4 5 6
504254	EHT8IELG	y	3 4 5 6 7	504284	NHT8IWSG	c4	3 4 5 6
504255	EHT8IEWSG	z	3 4 5 6 7	504285	NHT8IG	c5	3 4 5 6
504256	EHT8ILG	a1	3 4 5 6	504286	NHT8IELG	c6	3 4 5 6 7
504257	EHT8IWSG	a2	3 4 5 6	504287	NHT8IEWSG	c7	3 4 5 6 7
504258	EHT8IG	a3	3 4 5 6	504288	EHT8IELG6	c8	3 4 5 6 7
504259	EHT8I	a4	3 4 5 6	504290	HHT8I	d6	3 4 5 6
504260	EHT8IROW	a5	3 4 5 6	504292	EHT8TILG	e6	3 4 5 6 7

**Pag./Page**

**Indice**

3	Vista generale
4	Componenti idraulici
5	Circuito idraulico
6	Componenti elettrici
7	Componenti versione automatica - Fino a 2019/48
8	Componenti versione automatica - Da 2019/49
9	Componenti ESD
10-25	Lista ricambi

**Index**

Main view
Hydraulic components
Hydraulic circuit
Electrical components
Automatic version components - Up to 2019/48
Automatic version components - From 2019/49
ESD components
Spare parts list

**Marchio/Brand:** Z - E - A  
**Paese/Country:** Tutti/All

**LAVASTOVIGLIE A CAPPOTTINA  
HOOD TYPE DISHWASHER**

**NHT8/ KHT8/ EHT8/ ZHT8I/ AHT8I/ EHT8I/ ZHT8TI/ EHT8TI**

Code	Type	Ref.	Pagina/Page	Code	Type	Ref.	Pagina/Page
504293	EHT8TIELG	e7	3 4 5 6 7 8	505090	HHT8	d5	3 4 5 6
<b>504296</b>	<b>EHT8E</b>	<b>m1</b>	<b>3 4 5 6 7</b>	505091	XHT8G	e3	3 4 5 6
<b>504297</b>	<b>EHT8EG</b>	<b>m2</b>	<b>3 4 5 6 7</b>	505096	NHT8S	e5	3 4 5 6
<b>504298</b>	<b>ZHT8E</b>	<b>m3</b>	<b>3 4 5 6 7</b>	505100	EHT8	e8	3 4 5 6
<b>504299</b>	<b>ZHT8EG</b>	<b>m4</b>	<b>3 4 5 6 7</b>	505101	EHT8S	e9	3 4 5 6
<b>504300</b>	<b>VHT8EG</b>	<b>m5</b>	<b>3 4 5 6 7</b>	505102	EHT8DD	f1	3 4 5 6
505066	NHT8ROW	d	3 4 5 6	505103	EHT8G	f2	3 4 5 6
505067	NHT8O	e	3 4 5 6	505104	EHT8LGUK	f3	3 4 5 6
505068	NHT8ROW6	f	3 4 5 6	505105	EHT8WSG	f4	3 4 5 6
505069	NHT8O6	g	3 4 5 6	505106	ZHT8	f5	3 4 5 6
505070	NHT8G	a	3 4 5 6	505107	ZHT8S	f6	3 4 5 6
505071	NHT8	b	3 4 5 6	505108	ZHT8DD	f7	3 4 5 6
505072	NHT8WSG	c	3 4 5 6	505109	ZHT8G	f8	3 4 5 6
505073	EHT8ROW	j	3 4 5 6	505110	ZHT8LGUK	f9	3 4 5 6
505074	EHT8O	k	3 4 5 6	505111	ZHT8WSG	g1	3 4 5 6
505075	EHT8ROW6	l	3 4 5 6	505112	ZHT8ROW	g2	3 4 5 6
505076	EHT8O6	m	3 4 5 6	505113	ZHT8ROW6	g3	3 4 5 6
505077	EHT8J	n	3 4 5 6	505114	ZHT8O	g4	3 4 5 6
505078	EHT8J6	o	3 4 5 6	505115	ZHT8O6	g5	3 4 5 6
505079	EHT8M	p	3 4 5 6	505117	VHT8G	g6	3 4 5 6
505080	EHT8M6	q	3 4 5 6	<b>506060</b>	<b>EHT8M46</b>	<b>m6</b>	<b>3 4 5 6</b>
505081	KHT8	r	3 4 5 6	506069	NHTGRUK	d7	3 4 5 6
505083	NHT8GUK	h	3 4 5 6	506070	NHT8LGRUK	d8	3 4 5 6
505084	NHT8DD	i	3 4 5 6	698066	AHT8IWSG	b9	3 4 5 6
505085	NHT8WSGUK	d2	3 4 5 6	698067	AHT8IG	c1	3 4 5 6
505086	NHT8LGUK	d3	3 4 5 6	698068	AHT8I	c2	3 4 5 6
505089	NHT8P	d4	3 4 5 6				

Pag./Page	Indice
3	Vista generale
4	Componenti idraulici
5	Circuito idraulico
6	Componenti elettrici
7	Componenti versione automatica - Fino a 2019/48
8	Componenti versione automatica - Da 2019/49
9	Componenti ESD
10-25	Lista ricambi

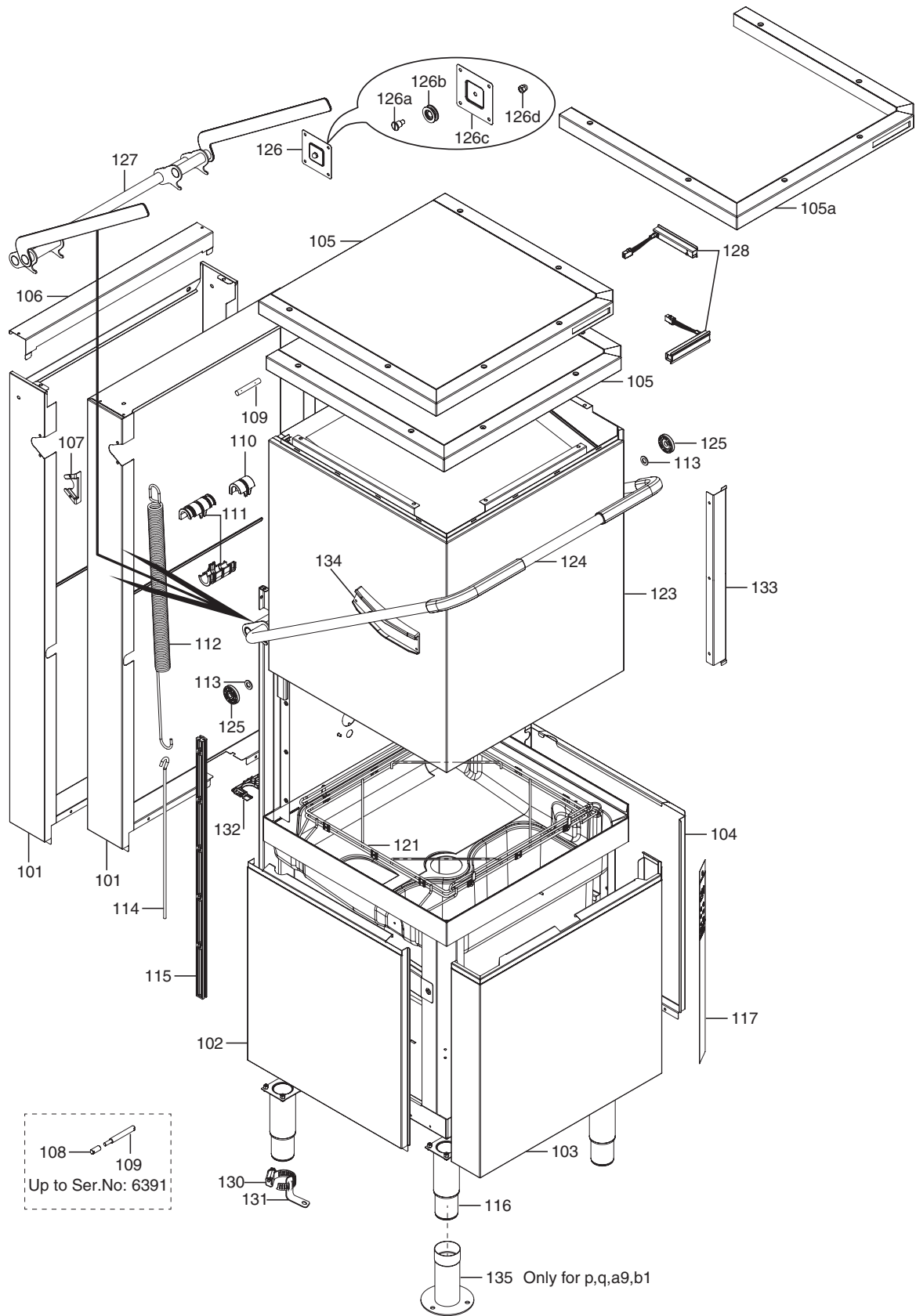
Index
Main view
Hydraulic components
Hydraulic circuit
Electrical components
Automatic version components - Up to 2019/48
Automatic version components - From 2019/49
ESD components
Spare parts list

**Marchio/Brand:** Z - E - A  
**Paese/Country:** Tutti/All

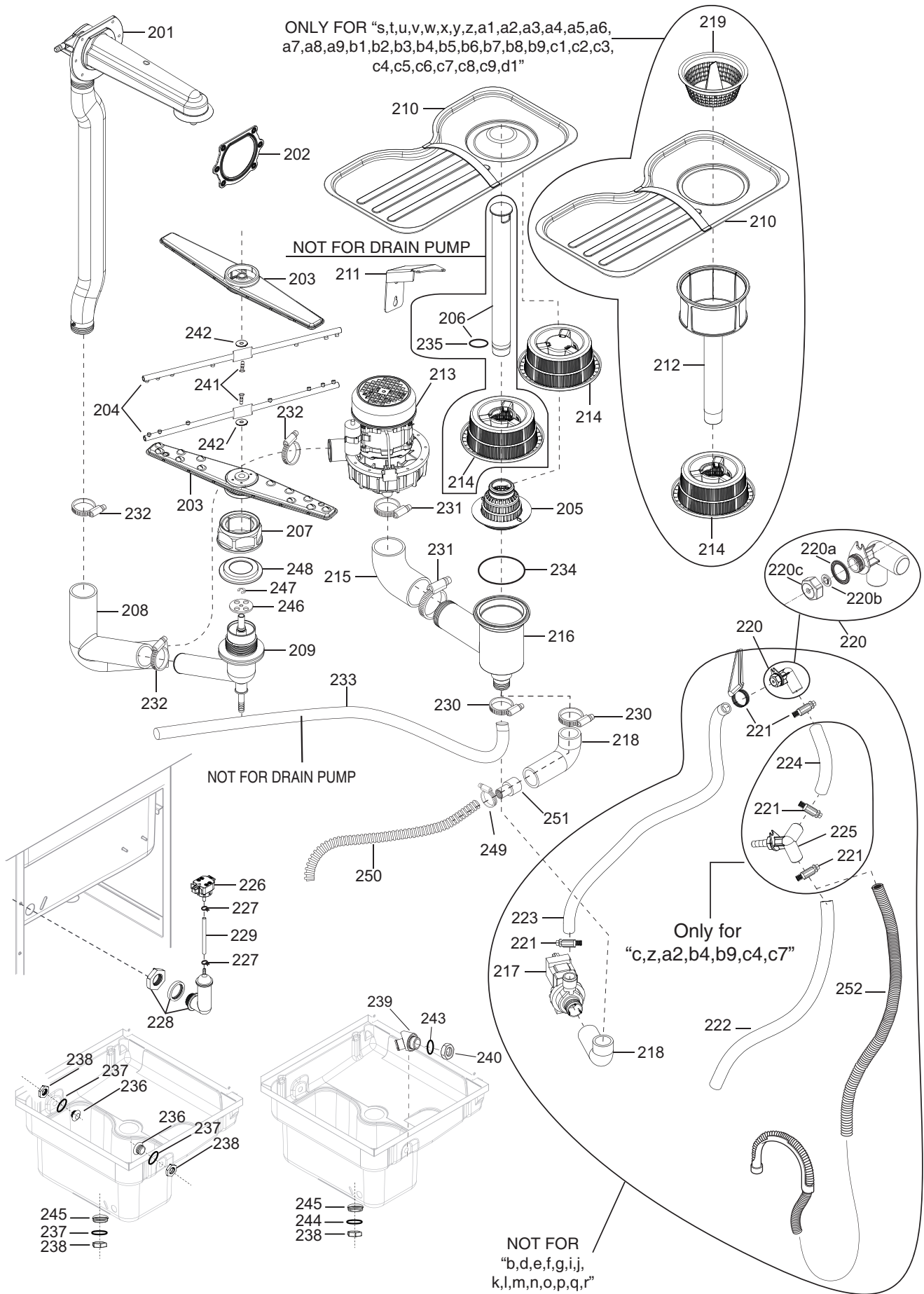
Da Ser. Nr./ From Ser.nr.: **305...**

Ed. **2012 - 05**  
Updated **2020 - 06**

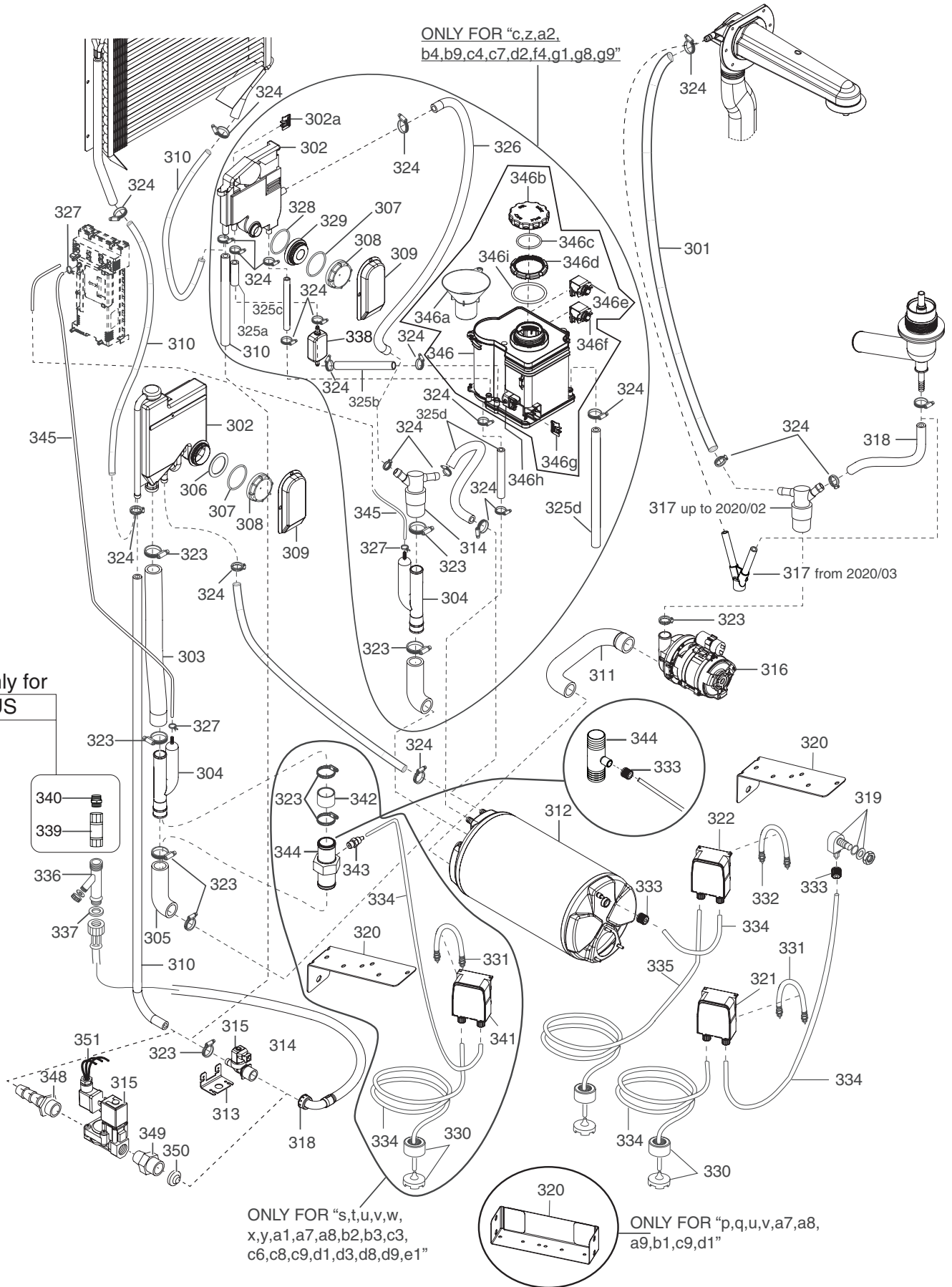
Doc. Nr.: **595668W00**



**Vista generale / Main View**

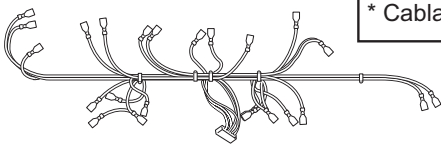


**Componenti idraulici / Hydraulic components**

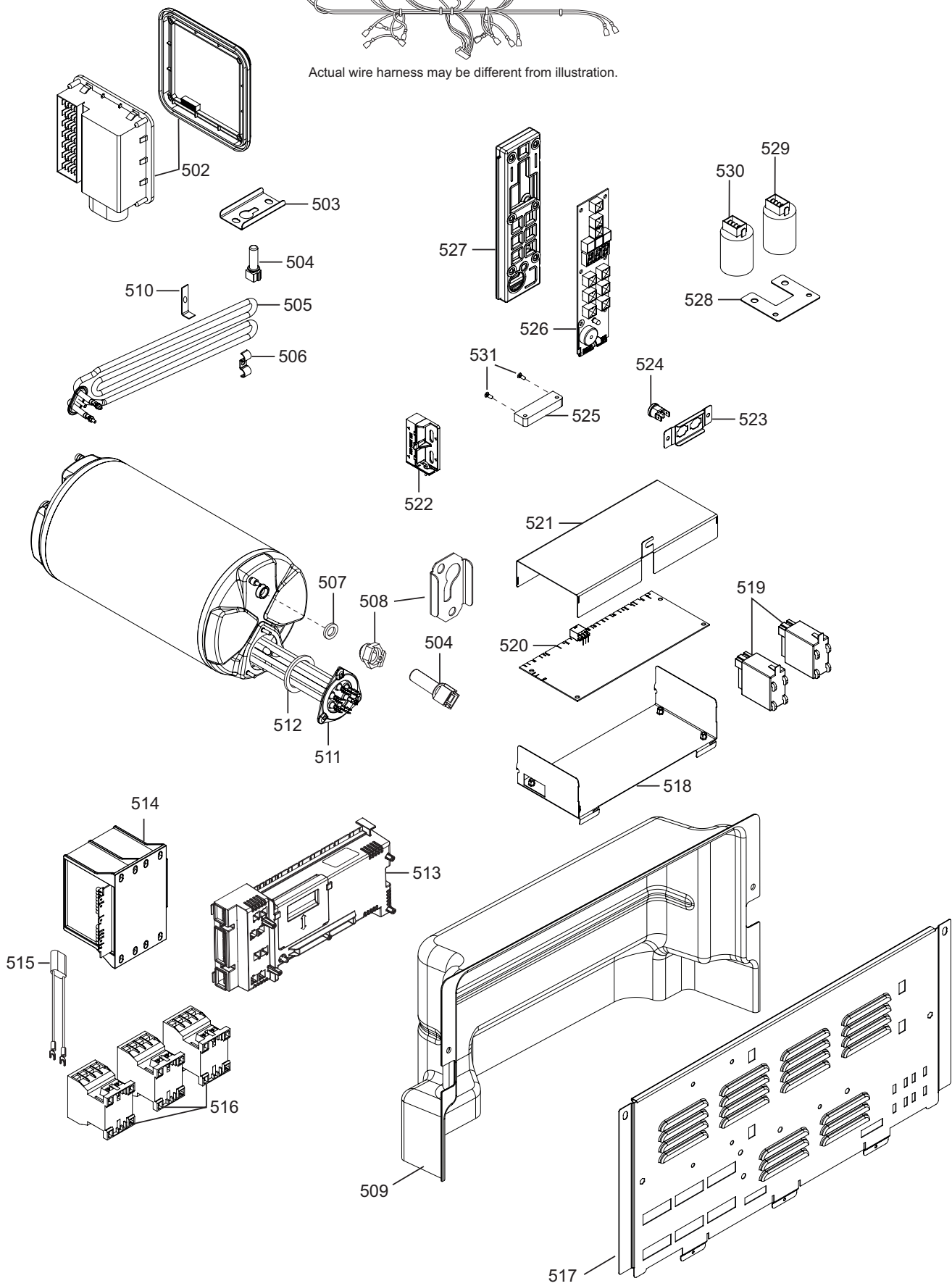


**Circuito idraulico/ Hydraulic circuit**

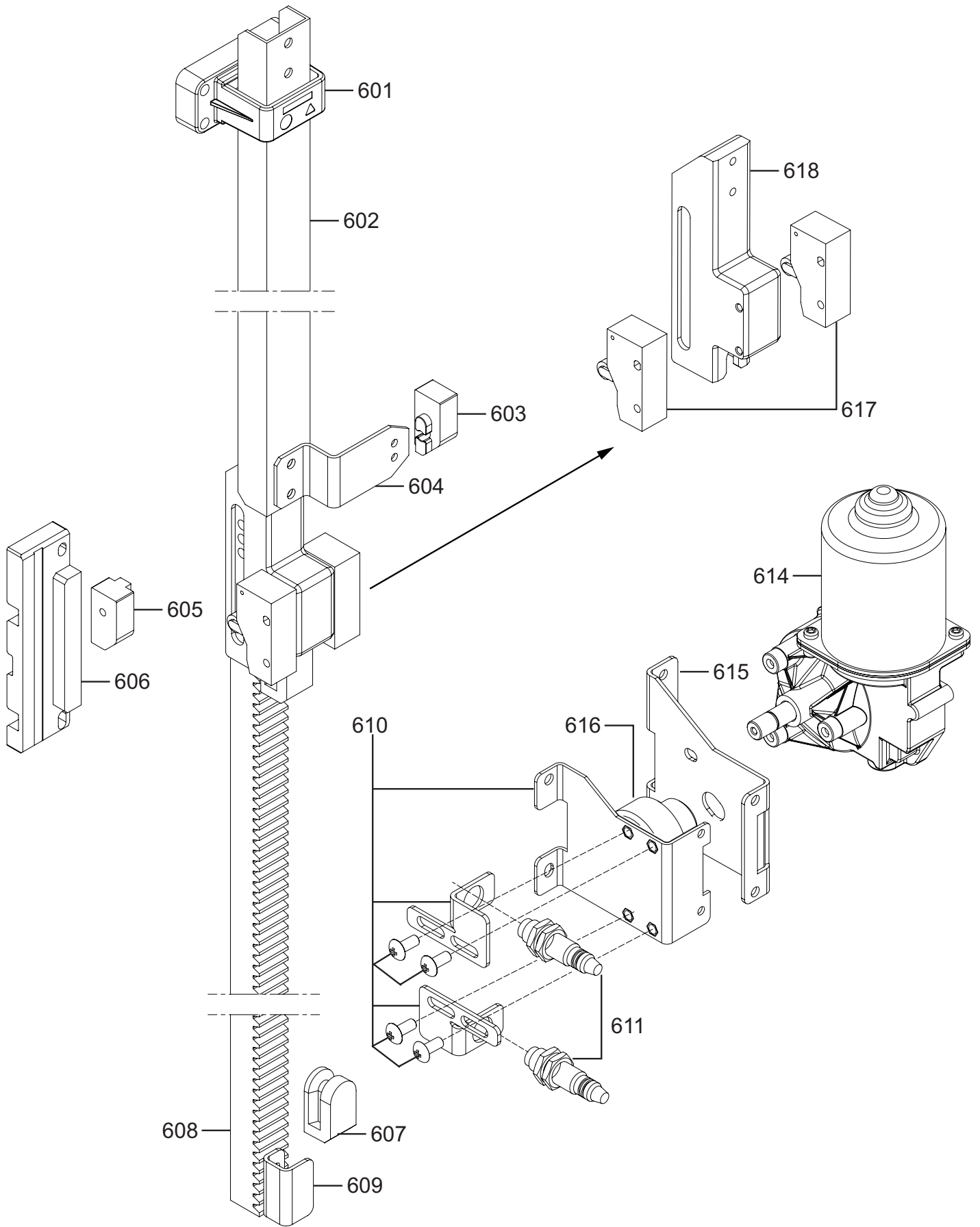
\* Cablaggio/Wiring harness: 590



Actual wire harness may be different from illustration.

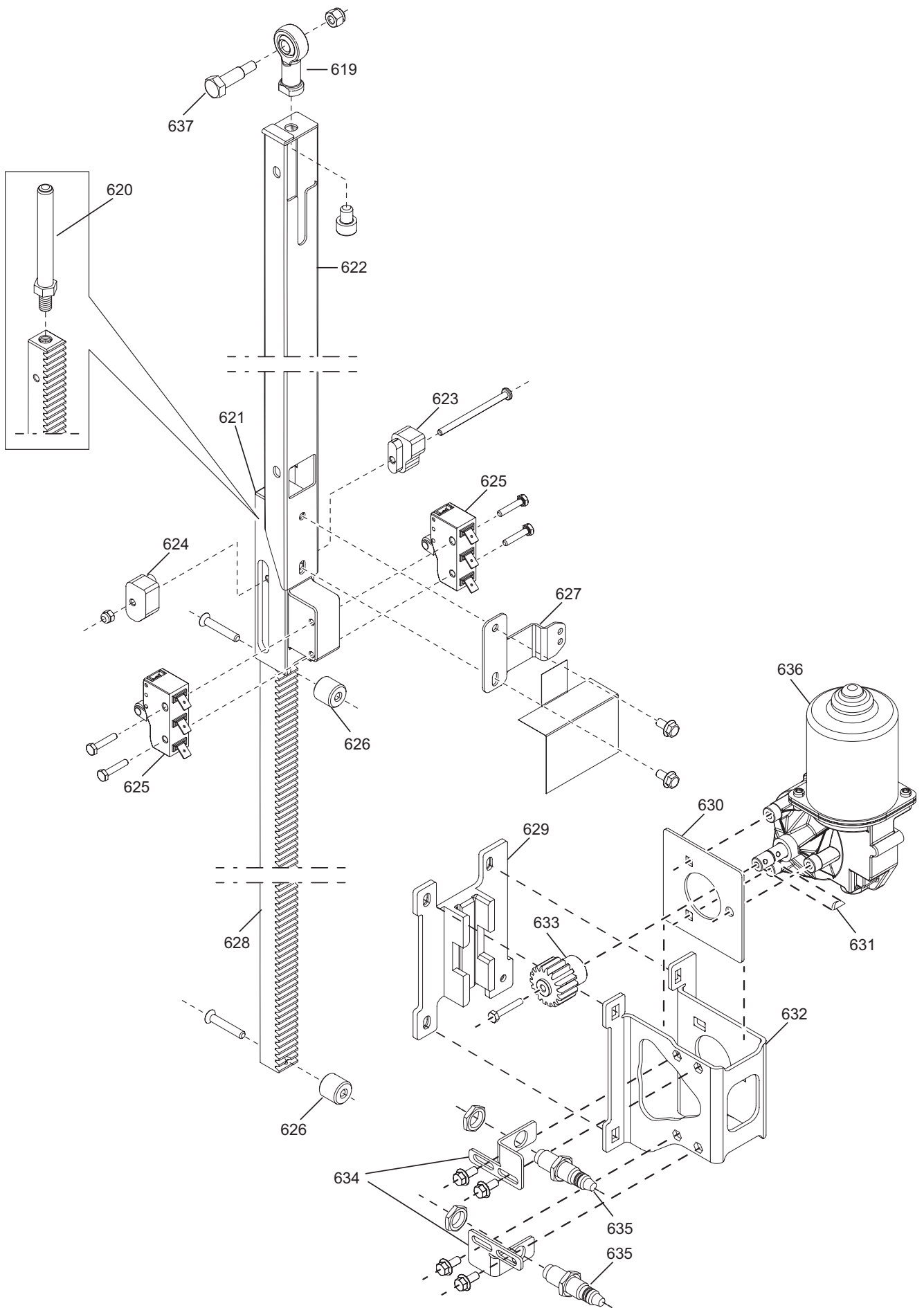


**Componenti elettrici / Electrical components**

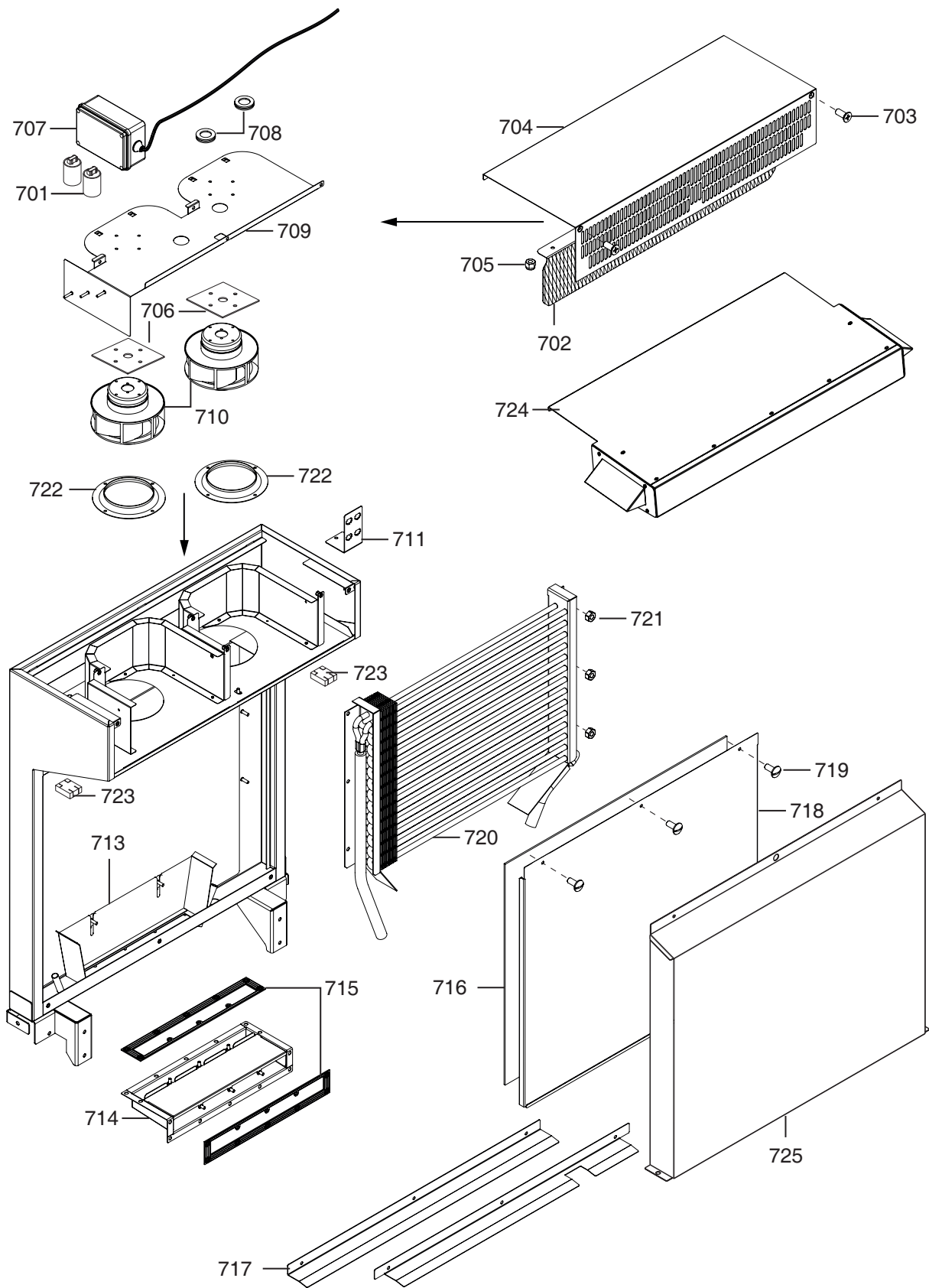


**Componenti versione automatica / Automatic version components - Up to 2019/48**





**Componenti versione automatica / Automatic version components - From 2019/49**



**Componenti ESD / ESD components**

Pos.	Cod. Ric. Part No.	Descrizione	Description	Note / Notes
<b>Pagina 3: Vista generale / Page 3: Main view</b>				
101	0L2777	Schienale	Back panel	s,u,v,w,e6,e7,m7
101	0L2778	Schienale	Back panel	t,x,
101	0L2779	Schienale	Back panel	y,z,b2,c6,c7,c8,c9,d1,d9,e1, h6,h7,h8,h9,m1,m2,m3,m4,m5
101	0L2780	Schienale	Back panel	a,b,c,d,e,f,g,h,i,j,k,l,m,n,o,p,q, r,a1,a2,a3,a4,a5,a6,a7,a8,b3, b4,b5,b6,b7,b8,b9,c1,c2,c3, c4,c5,d2,d3,d4,d5,d6,d7,d8, e8,e9,f1,f2,f3,f4,f5,f6,f7,f8, f9,g1,g2,g3,g4,g5,g6,g7, g9,h1,h2,h3,h4,h5,m6
101	0L2781	Schienale	Back panel	a9,b1
101	0L3076	Schienale	Back panel	e2,e5,e9,f6
102	0L2782	Pannello laterale sinistro	Left side panel	
103	0L2783	Pannello comandi	Control panel	all always - g6,g7 from 8451
103	0L4318	Pannello comandi	Control panel	g6,g7 up to 8441
104	0L2784	Pannello laterale destro	Right side panel	
105	0L2785	Coperchio	Cover	s,t,u,v up to 4411
105	0L3680	Coperchio	Cover	s,t,u,v,e6,e7 from 4421 up to 6101
105	0L3681	Coperchio	Cover	s,t,u,v,e6,e7,m7 from 6111
105	0L2786	Coperchio	Cover	y,z,a1,a2,a3,a4,a5,a6,a7,a8, a9,b1,c8,c9,d1,d9,e1,e2 up to 6101
105	0L3682	Coperchio	Cover	y,z,a1,a2,a3,a4,a5,a6,a7,a8, a9,b1,c8,c9,d1,d9,e1,e2,g8, g9,h2,h3,h4,h5,h6,h7,h8,h9 from 6111
105	0L4579	Coperchio	Cover	w,x
105	0L2788	Coperchio	Cover	b2,b3,b4,b5,b6,b7,b8, b9,c1,c2,d6,m3,m4,m5
105	0L2981	Coperchio	Cover	c3,c4,c5,c6,c7,h1
105	0L3704	Coperchio	Cover	g7
<b>105a</b>	<b>0L3527</b>	<b>Coperchio</b>	<b>Cover</b>	<b>a,b,c,d,e,f,g,i,j,k,l,m,r, d3,d4,d5,d7,d8,e3,e8,e9, f1,f2,f3,f4,f5,f6,f7,f8,f9, g1,g2,g4,g6,m1,m2</b>
106	0L2789	Copertura schienale	Back panel cover	y,z,b2,c6,c7,c8,c9,d1,d9,e1, g8,h6,h7,h8,h9,m1,m2,m3, m4,m5
107	0L2790	Protezione schienale	Back panel protection	
108	0L2791	Perno di chiusura	Lock pin	Up to Ser.No:6391
109	0L2792	Perno	Pin	Up to Ser.No:6391
109	0TTZHG	Perno	Pin	From Ser.No:6401
110	0L2793	Boccola per molla	Spring bush	
111	0L2794	Boccola per molla	Spring bush	
112	049582	Molla	Spring	for double skin
112	0L0057	Molla	Spring	for single skin
113	0TH042	Rondella 13X24	Washer 13X24	
114	0L2796	Tendimolla	Spring stretcher	s,t,u,v,w,x,e6,e7,m7

Pos.	Cod. Ric. Part No.	Descrizione	Description	Note / Notes
114	0L2797	Tendimolla	Spring stretcher	a,b,c,d,e,f,g,h,i,j,k,l,m,n,o,p,q,r,y,z,a1,a2,a3,a4,a5,a6,a7,a8,a9,b1,b2,b3,b4,b5,b6,b7,b8,b9,c1,c2,c3,c4,c5,c6,c7,c8,c9,d1,d2,d3,d4,d5,d6,d7,d8,d9,e1,e2,e3,e4,e5,e8,e9,f1,f2,f3,f4,f5,f6,f7,f8,f9,g1,g2,g3,g4,g5,g6,g7,g8,g9,h1,h2,h3,h4,h5,h6,h7,h8,h9,m1,m2,m3,m4,m5,m6
115	0L2798	Guida cappotta	Hood guide	
116	048579	Piede	Foot	Up to Ser. Nr.: 409
116	0L3203	Piede	Foot	From to Ser. Nr.: 410
117	0L2799	Membrana	User interface label	y,z,a1,a2,a3,a4,a5,a6,a7,a8,a9,b1,c8,c9,d1,d9,e1,e2,g8,g9,h2,h3,h4,h5,h6,h7,h8,h9
117	0L2800	Membrana	User interface label	s,t,u,v,e6,e7,m7
117	0L2801	Membrana	User interface label	b2,b3,b4,b5,b6,b7,b8
117	0L2802	Membrana	User interface label	w,x
117	0L2803	Membrana	User interface label	a,b,c,d,e,f,g,h,i,c3,c4,c5,c6,c7,d2,d3,d4,e5,d7,d8 up to 7431
117	0L4189	Membrana Caterwash	Caterwash stick membrane	d7,d8 from 7441
117	0L2804	Membrana	User interface label	j,k,l,m,n,o,p,q up to 6101
117	0L3683	Membrana	User interface label	j,k,l,m,n,o,p,q from 6111 up to 7271
117	0L4186	Membrana	User interface label	j,k,l,m,n,o,p,q,e8,e9,f1,m1,m2,f2,f3,f4,m6 from 7281
117	0L4185	Membrana	User interface label	f5,f6,f7,f8,f9,g1,g2,g3,g4,g5,m3,m4
117	0L2805	Membrana	User interface label	b9,c1,c2
117	0L2806	Membrana	User interface label	r
117	0L3367	Membrana	User interface label	d5,d6
117	0L3594	Membrana	User interface label	e3,e4,h1
117	0L4330	Membrana	User interface label	g6 up to 8441
117	0L4463	Membrana	User interface label	g6,m5 from 8451
117	0L4331	Membrana	User interface label	g7 up to 8441
117	0L4464	Membrana	User interface label	g7 from 8451
121	0L2807	Guida cesto	Rack rail	Up to 2020/24
<b>121</b>	<b>0L4580</b>	<b>Guida cesto</b>	<b>Rack rail</b>	<b>From 2020/25</b>
121	0L4411	Guida cesto rinforzato	Reinforced rack rail	d5,d6,g8,g9
123	0L4193	Cappotta	Hood	s,t,u,v,w,x,e6,e7 From ser. nr. 7251 Up to ser. nr. 9481
<b>123</b>	<b>0L4655</b>	<b>Cappotta</b>	<b>Hood</b>	<b>s,t,u,v,w,x,e6,e7,m7</b> <b>From ser. nr. 9491</b>
123	0L2809	Cappotta	Hood	y,z,a1,a2,a3,a4,a5,a6,a7,a8,a9,b1,b2,b3,b4,b5,b6,b7,b8,b9,c1,c2,c3,c4,c5,c6,c7,c8,c9,d1,d6,d9,e1,e2,e4,g7,g8,g9,h1,h2,h3,h4,h5,h6,h7,h8,h9

Pos.	Cod. Ric. Part No.	Descrizione	Description	Note / Notes
123	0L2810	Cappotta	Hood	a,b,c,d,e,f,g,h,i,j,k,l,m,n,o,p,q,r,d2,d3,d4,d5,d7,d8,e3,e5,e8,e9,f1,f2,f3,f4,f5,f6,f7,f8,f9,g1,g2,g3,g4,g5,g6,m1,m2,m3,m4,m5,m6
124	0L2811	Maniglione	Handle	s,t,u,v,w,x,y,z,a1,a2,a3,a4,a5,a6,a7,a8,a9,b1,c8,c9,d1,d9,e1,e2,e6,e7,g9,h2,h3,h4,h5,h6,h7,h8,h9,m1,m2,m7
124	0L2967	Maniglione	Handle	a,b,c,d,e,f,g,h,i,j,k,l,m,n,o,p,q,r,b2,b3,b4,b5,b6,b7,b8,b9,c1,c2,c3,c4,c5,c6,c7,d2,d3,d4,d5,d6,d7,d8,e8,e9,f1,f2,f3,f4,f5,f6,f7,f8,f9,g1,g2,g3,g4,g5,g6,g7,h1,m6
125	049598	Rotella	Washer	
126	0L2812	Supporto rotella cappotta	Hood roller support	s,t,u,v,w,x,e6,e7,m7
126a	0L2813	Perno	Pin	
126b	0L2814	Rotella	Roller	s,t,u,v,w,x,e6,e7,m7
126c	0L2815	Supporto rotella	Washer support	s,t,u,v,w,x,e6,e7,m7
126d	0L2816	Dado a calotta M8	Domed cap nut M8	
127	0L2817	Braccio guida cappotta	Hood rail arm	
128	0L3451	Led bar	Led bar	
130	0L2463	Fascetta 50-70	Hose clamp 50-70	
131	0L2464	Squadretta di fissaggio	Floor fixing bracket	
132	0L0112	Copertura passatubi	Hoses protection	
133	0L2820	Protezione Laterale	Side Protection	Up to Ser. Nr.: 5281 s,t,u,v,w,x
133	0L3611	Protezione laterale SX	Left side protection	From Ser. Nr: 5291 s,t,u,v,w,x,e6,e7,m7
133	0L3612	Protezione laterale dx	Right side protection	s,t,u,v,w,x,e6,e7,m7
134	049597	Guida maniglia	Guide handle	Not for "s,t,u,v,w,x,e6,e7,m7"
135	0L1452	Piede Marine	Marine Foot	Up to SerNr.: 4241 p,q,a9,b1
135	0L3347	Piede Marine	Marine Foot	From Ser.Nr.: 4251 p,q,a9,b1
		<b>Pagina 4: Componenti idraulici</b>	<b>Page 4: Hydraulic components</b>	
201	0L2821	Supporto braccio lavaggio	Wash arm support	Up to Ser. Nr: 4491
201	0L3470	Supporto braccio lavaggio	Wash arm support	From Ser. Nr: 4501
202	0L2822	Guarnizione	Gasket	
203	0L2823	Braccio lavaggio	Wash arm	
204	0L2095	Braccio risciacquo	Rinse arm	
205	0L2824	Filtro di protezione	Protection filter	Up to Ser. Nr: 5281
205	0L3586	Filtro di protezione	Protection filter	From Ser. Nr: 5291
206	0L4544	Troppopieno+o-ring	Overflow pipe + o-ring	b,d,e,f,g,i,j,k,l,m,n,o,p,q,r,d4,d5,e5,e8,e9,f1,f5,f6,f7,g2,g3,g4,g5,m1,m3,m6
207	048237	Ghiera	Ring nut	
208	0L2825	Manicotto	Hose coupling	
209	048235	Supporto getti inferiore	Lower jets support	

**LAVASTOVIGLIE CAPPOTTINA ZHT/NHT/ET12**  
**HOOD TYPE DISHWASHER ZHT/NHT/ET12**

Grassetto = variazioni  
 Bold Print = changes

Pos.	Cod. Ric. Part No.	Descrizione	Description	Note / Notes
210	0L2826	Filtro vasca	Tank filter	a,b,c,d,e,f,g,h,i,j,k,l,m,n,o,p,q,r,c5,d2,d3,d4,d5,d7,d8,e8,e9,f1,f2,f3,f4,f5,f6,f7,f8,f9,g1,g2,g3,g4,g5,g6,g7,h1,m1,m2,m3,m4,m5,m6
210	0L2827	Filtro vasca	Tank filter	s,t,u,v,w,x,y,z,a1,a2,a3,a4,a5,a6,a7,a8,a9,b1,b2,b3,b4,b5,b6,b7,b8,b9,c1,c2,c3,c4,c5,c6,c7,c8,c9,d1,d6,d9,e1,e2,e6,e7,g7,g8,g9,h1,h2,h3,h4,h5,h6,h7,h8,h9,m7
211	0L2828	Supporto pompa	Pump support	Up to Ser.Nr: 5071
211	0L3523	Supporto pompa	Pump support	From Ser.Nr: 5081
212	0L2830	Troppopieno con filtro	Overflow pipe with filter	s,t,u,v,w,x,y,z,a1,a2,a3,a4,a5,a6,a7,a8,a9,b1,b2,b3,b4,b5,b6,b7,b8,b9,c1,c2,c3,c4,c5,c6,c7,c8,c9,d1,d6,d9,e1,e2,e6,e7,g7,g8,g9,h1,h2,h3,h4,h5,h6,h7,h8,h9,m7
213	0L2831	Pompa lavaggio (230V/1N/50HZ)	Wash pump (230V/1N/50HZ)	Not for f,g,l,m,u,v,a6,a7,a8,b8,c8,e1,g3,g5,h3,h5,h7
213	0L2832	Pompa lavaggio (230V/1N/60HZ)	Wash pump (230V/1N/60HZ)	f,g,l,m,a6,b8,c8,e1,g3,g5,h3,h5,h7
213	0L2833	Pompa lavaggio (208-240V/1N/60HZ)	Wash pump (208-240V/1N/60HZ)	u,v,a7,a8,c9,d1
213	0L3528	Pompa lavaggio (200V/1N/50HZ)	Wash pump (200V/1N/50HZ)	d9,h8
213	0L3529	Pompa lavaggio (200V/1N/50HZ)	Wash pump (200V/1N/50HZ)	e1,h9
213	0L3599	Pompa lavaggio (440V/3/60HZ)	Wash pump (440V/3/60HZ)	q,b1
213	0L3631	Pompa lavaggio (400V/3/50HZ)	Wash pump (400V/3/50HZ)	p,a9
<b>213</b>	<b>0L4604</b>	<b>Pompa lavaggio (440V/3/60HZ)</b>	<b>Wash pump (440V/3/60HZ)</b>	<b>m6</b>
214	0L2834	Filtro aspirazione pompa	Pump suction filter	Not for a,c,h,d2,d3,d7,d8,e3,f2,f3,f4,f8,f9,g1,m2,m4,m5
214	0L2835	Filtro aspirazione pompa	Pump suction filter	a,c,h,d2,d3,d7,d8,e3,f2,f3,f4,f8,f9,g1,g6,m2,m4,m5
<b>215</b>	<b>0L2836</b>	<b>Manicotto aspirazione pompa</b>	<b>Pump suction elbow</b>	<b>Always:</b> <b>a,b,c,d,e,f,g,h,i,j,k,l,m,r,s,t,w,x,y,z,a1,a2,a3,a4,a5,a6,b1,b2,b3,b4,b5,b6,b7,b8,b9,c1,c2,c3,c4,c5,c6,c7,c8,d2,d3,d4,d5,d6,d7,d8,e2,e3,e4,e5,e6,e7,e8,e9,f1,f2,f3,f4,f5,f6,f7,f8,f9,g1,g2,g3,g4,g5,g6,g7,g8,g9,h1,h2,h3,h4,h5,h6,h7,m1,m2,m3,m4,m5,m7.</b> <b>Up to 5401:</b> <b>n,o,p,q,u,v,a7,a8,a9,b1,c9,d1,d9,e1</b>
<b>215</b>	<b>0L3628</b>	<b>Manicotto aspirazione pompa</b>	<b>Pump suction elbow</b>	<b>From 5411: n,o,p,q,u,v,a7,a8,a9,b1,c9,d1,d9,e1,h8,h9,m6</b>
216	0L2837	Collettore aspirazione pompa	Pump suction manifold	
217	0L2838	Pompa scarico	Drain pump	Not for b,d,e,f,g,i,j,k,l,m,n,o,p,q,r,d4,d5,e8,f1,f5,f7,g1,g2,g3,g4,g5,m1,m3,m6
218	0L2839	Gomito	Elbow	Not for b,d,e,f,g,i,j,k,l,m,n,o,p,q,r,d4,d5,e8,f1,f5,f7,g1,g2,g3,g4,g5,m1,m3,m6

**LAVASTOVIGLIE CAPPOTTINA ZHT/NHT/ET12**  
**HOOD TYPE DISHWASHER ZHT/NHT/ET12**

Grassetto = variazioni  
 Bold Print = changes

Pos.	Cod. Ric. Part No.	Descrizione	Description	Note / Notes
219	0L2840	Cestello per filtering system	Filtring system basket	s,t,u,v,w,x,y,z,a1,a2,a3,a4,a5, a6,a7,a8,a9,b1,b2,b3,b4,b5, b6,b7,b8,b9,c1,c2,c6,c7,c5, c4,c3,c8,c9,d1,d6,d9,e1,e2, e6,e7,g7,g8,g9,h1,h2,h3,h4, h5,h6,h7,h8,h9,m7
220	0L2729	Valvola di sfiato	Vent valve	Not for b,d,e,f,g,i,j,k,l,m,n,o,p, q,r,d4,d5,e8,e9,f1,f5,f6,f7,g2, g3,g4,g5,m1,m3,m6
220a	0L4469	Guarnizione piana valvola sfiato	Vent valve gasket	Not for b,d,e,f,g,i,j,k,l,m,n, o,p,q,r,d4,d5,e8,e9,f1,f5,f6, f7,g2,g3,g4,g5,m2,m4,m5,m6
220b	0L4468	Guarnizione sfiato	Vent gasket	Not for b,d,e,f,g,i,j,k,l,m,n, o,p,q,r,d4,d5,e8,e9,f1,f5,f6, f7,g2,g3,g4,g5,m6
220c	0L4467	Tappo valvola sfiato	Vent valve plug	Not for b,d,e,f,g,i,j,k,l,m,n, o,p,q,r,d4,d5,e8,e9,f1,f5,f6, f7,g2,g3,g4,g5,m6
221	047578	Fascetta 25-40/9	Hose clamp 25-40/9	Not for b,d,e,f,g,i,j,k,l,m,n,o,p,q,r,d4, d5,e8,f5,g1,g2,g3,g4,g5,m6
222	0L2841	Tubo	Pipe	Not for b,d,e,f,g,i,j,k,l,m,n,o,p, q,r,d4,d5,d6,e8,f1,f5,f7,g1,g2, g3,g4,g5,m1,m3,m6
223	0L2842	Tubo	Pipe	Not for b,d,e,f,g,i,j,k,l,m,n,o,p, q,r,d4,d5,e5,e8,e9,f1,f5,f6,f7, g2,g3,g4,g5,m1,m3,m6
224	0L2843	Tubo	Pipe	c,z,a2,b4,b9,c7,c4,d2,f4,g8,g9
225	0L2844	Valvola di sfiato	Vent valve	c,z,a2,b4,b9,c7,c4,d2,f4,g8,g9
226	0L2845	Sensore	Sensor	
227	0L0082	Fascetta 7,3-7,8	Hose clamp 7,3-7,8	
228	0L2846	Trappola d'aria vasca	Tank air trap	
229	072393	Tubo 4X7,4	Pipe 4X7,4	30 mm
230	046878	Fascetta 35-50/9	Hose clamp 35-50/9	
231	046853	Fascetta 60-80/9	Hose clamp 60-80/9	
232	046855	Fascetta 50-70/9	Hose clamp 50-70/9	
233	049856	Tubo di scarico	Drain hose	b,d,e,f,g,i,j,k,l,m,n,o,p,q,r,s,t, w,x,a4,a5,a6,a9,b1,b6,b7,b8, c2,d4,d6,e2,e6,e7,e8,f1,f5,f7, g1,g2, g3,g4,g5,h2,h3 up to 2019/48
<b>233</b>	<b>0L4552</b>	<b>Tubo di scarico</b>	<b>Drain hose</b>	<b>b,d,e,f,g,i,j,k,l,m,n,o,p,q,r,s,t, w,x,a4,a5,a6,a9,b1,b6,b7,b8, c2,d4,d6,e2,e6,e7,e8,f1,f5,f7, g1,g2, g3,g4,g5,h2,h3,m1,m3,m7 from 2019/49</b>
234	049894	O-Ring NBR 110X4mm	O-Ring NBR 110X4mm	
235	0L2359	O-Ring - 2,62 X 32,99mm	O-Ring - 2,62 X 32,99mm	b,d,e,f,g,i,j,k,l,m,n,o,p,q,r,d4, d5,e8,f1,f5,f7,g1,g2, g3,g4,g5, m1,m3,m6
236	0L2114	Tappo a calotta AISI 303 - M20x-1.5mm	Calotte plug AISI 303 - M20x1.5mm	s,t,u,v,a7,a8,c9,d1,e2, e5,e6,e7,e9,f6,m7
237	0L2302	2081O-Ring in silicone - 1.78x20.35mm	Silicone 2081 O-Ring - 1.78x20.35mm	u,v,a7,a8,c9,d1
238	0L2115	Controdado in ottone - M20x1.5mm	Brass nut - M20x1.5mm	u,v,a7,a8,c9,d1,e2,e5,e9,f6

Doc. Nr.: **595668W00**

Ed. **2012 - 05**  
 Updated **2020 - 01**

Da Ser. Nr./ From Ser.nr.: **305...**

Pos.	Cod. Ric. Part No.	Descrizione	Description	Note / Notes
239	0L3074	Iniettore detersivo solido	Powder detergent injection	s,t,e2,e5,e6,e7,e9,f6,m7
240	0L1086	Dado fissaggio iniettore	Fixing injection nut	s,t,e2,e5,e6,e7,e9,f6,m7
241	048290	Perno braccio di risciacquo	Rinse arm pin	
242	048632	Ghiera di fissaggio	Knurllet ring nut	
243	046799	OR 3100-2,62X25,07-NZGI-6M1920	OR 3100-2,62X25,07-NZGI-6M1920	e2,e5,e9,f6
244	0L2166	OR 2081 1.78X20.35	OR 2081 1.78X20.35	s,t,e2,e5,e6,e7,e9,f6,m7
245	0L2114	Tappo a calotta AISI 303 - M20x-1.5mm	Calotte plug AISI 303 - M20x1.5mm	s,t,u,v,a7,a8,c9,d1,e2, e5 Up to 5401
245	0L3627	Tappo a calotta AISI 303 con intaglio - M20x1.5mm	Calotte plug AISI 303 with notch - M20x1.5mm	s,t,u,v,a7,a8,c9,d1,e2, e5,e6,e7,e9,f6,m7 From 5411
246	048820	Parzializzatore	Flow reducer	
247	048979	Anello seger	C-Clamp	
248	048236	Guarnizione	Gasket	
249	047578	Fascetta 25-40/9	Hose clamp 25-40/9	d5
250	0L3757	Tubo di scarico	Drain hose	d5
251	0L3701	Riduzione tubo di scarico	Drain hose adapter	d5
252	0L3073	Tubo di scarico	Drain hose	u,v,a7,a8,a9,b1,c9, d1,d6
		<b>Pagina 5: Circuito idraulico</b>	<b>Page 5: Hydraulic circuit</b>	
301	048531	Tubo	Pipe	1310 mm
302	049481	Salto in aria	Air gap	Not for c,z,a2,b4,b9,c7,c4,d2, f4,g8,g9
302	0L2847	Salto in aria	Air gap	c,z,a2,b4,b9,c7,c4,d2,f4
302a	0L2959	Sensore reed per salto in aria	Air gap reed sensor	c,z,a2,b4,b9,c7,c4,d2,f4,g8,g9
303	049287	Tubo	Pipe	410 mm
<b>303</b>	<b>0L4453</b>	<b>Tubo</b>	<b>Pipe</b>	<b>320 mm</b>
<b>303</b>	<b>0L4453</b>	<b>Tubo</b>	<b>Pipe</b>	<b>420 mm - m1,m2,m3,m4,m5</b>
304	0L2849	Trappola d'aria	Air trap	c,z,a2,b4,b9,c4,c7,d2,f4,g1, g8,g9,
<b>304</b>	<b>049776</b>	<b>Trappola d'aria</b>	<b>Air trap</b>	<b>y,b2,m1,m2,m3,m4,m5</b>
305	049880	Manicotto trappola d'aria	Air trap sleeve	Not for c,z,a2,b4,b9,c7,c4,d2, g8,g9
305	0L2851	Manicotto trappola d'aria	Air trap sleeve	c,z,a2,b4,b9,c7,c4,d2,f4,g8,g9
306	049828	Guarnizione	Gasket	
307	049460	OR	O-ring	
308	049480	Ghiera	Ring nut	
309	0L2560	PROTEZIONE GHIERA	Ring nut protection	Up to Ser.No: 6351
309	0L3756	PROTEZIONE GHIERA	Ring nut protection	From Ser.No: 6361
310	0L3064	Tubo	Pipe	1400 mm c,z,a2,b4,c7,c4,d2,f4,g1,g8,g9,m7
<b>310</b>	<b>048531</b>	<b>Tubo</b>	<b>Pipe</b>	<b>1380 mm</b> <b>m1,m2,m3,m4,m5</b>
311	0L2852	Manicotto aspirazione pompa	Pump suction sleeve	



**LAVASTOVIGLIE CAPPOTTINA ZHT/NHT/ET12**  
**HOOD TYPE DISHWASHER ZHT/NHT/ET12**

Grassetto = variazioni  
 Bold Print = changes

Pos.	Cod. Ric. Part No.	Descrizione	Description	Note / Notes
312	0L2853	Boiler (AISI 304 - 1 foro)	Boiler (AISI 304 - 1 hole)	Up to ser.nr. 6101: a,b,h,i,n,o,p,q,r,s,t,w,x,y,a1,a3, a4,a9,b1,b2,b3,b5,b6,c1,c2,c3, c5,c6,c8,d3,d4,d5,d6,d7,d8,d9, e1,e2,e3,e4,e5,e6,e7,m7
312	0L3684	Boiler (AISI 304 - 1 foro)	Boiler (AISI 304 - 1 hole)	From ser.nr. 6111: a,b,i,n,o,p,q,r,s,t,w,x,y,a1,a3, a4,a9,b1,b2,b3,b5,b6,c2,c3,c5,c6, c8,d3,d4,d5,d6,d7,d8,d9,e1,e2,e3, e4,e5,e6,e7,e8,e9,f2,f3, f5,f6,f8,f9,g6,g7,h1,h4,h6,h7,h8, h9,m1,m2,m3,m4,m5,m6,m7
312	0L2854	Boiler (AISI 304 - 2 fori)	Boiler (AISI 304 - 2 holes)	Up to ser.nr. 6101: d,f,j,l,u,v,a5,a6,a7,a8,b7,b8,c9,d1
312	0L3685	Boiler (AISI 304 - 2 fori)	Boiler (AISI 304 - 2 holes)	From ser.nr. 6111: d,f,j,l,u,v,a5,a6,a7,a8,b7,b8,c9, d1,g1,g2,g3,h2,h3,h5
312	0L2855	Boiler (AISI 316 - 2 fori)	Boiler (AISI 316 - 2 holes)	Up to ser.nr. 6101: e,g,k,m
312	0L3686	Boiler (AISI 316 - 2 fori)	Boiler (AISI 316 - 2 holes)	From ser.nr. 6111: e,g,k,m,g4
312	0L2856	Boiler (AISI 304 - 1 foro)	Boiler (AISI 304 - 1 hole)	Up to ser.nr. 6101: c,z,a2,b4,b9,c4,c7,d2
312	0L3687	Boiler (AISI 304 - 1 foro)	Boiler (AISI 304 - 1 hole)	From ser.nr. 6111: c,z,a2,b4,c4,c7,d2,g8,g9
313	0TH116	SUPPorto elettrovalvola	Solenoid valve support	
315	0L0776	Elettrovalvola (220V-240V)	Solenoid valve (220V-240V)	Not for n,o,u,v,a7,a8
315	0L2656	Elettrovalvola (208V-240V)	Solenoid valve (208V-240V)	u,v,a7,a8,c9,d1
315	0L2960	Elettrovalvola (220V-240V)	Solenoid valve(220V-240V)	Up to Ser. Nr: 3521
315	0L3450	Elettrovalvola (220V-240V)	Solenoid valve(220V-240V)	From Ser Nr: 4011
315	0L2857	Elettrovalvola (200V)	Solenoid valve (200V)	n,o,d9,e1,h8,h9
<b>314</b>	<b>0L3080</b>	<b>Raccordo 3 vie</b>	<b>3 ways connection</b>	
316	0L2858	Pompa risciacquo (230V/1N/50HZ)	Rinse pump (230V/1N/50HZ)	Up to Ser.Nr: 4471: a,b,c,d,e,j,k,i,h,r,s,t,w,x,y,z,a1,a2, a3,a4,a5,b2,b3,b4,b5,b6,b7,b9, c1,c2,c6,c7,c5,c4,c3,d2,d3,d4, d5,d6,d7,d8,d9,e2,e6,e7
316	0L1079	Pompa risciacquo (230V/1N/50HZ)	Rinse pump (230V/1N/50HZ)	From Ser.Nr: 4481 a,b,c,d,e,j,k,i,h,r,s,t,w,x,y,z,a1, a2,a3,a4,a5,b2,b3,b4,b5,b6, b7,b9,c1,c2,c6,c7,c5,c4,c3,d2, d3,d4,d5,d6,d7,d8,e2,e6,e7,e8, f1, f2,f3,f4,f5,f7,f8,f9,g1,g2, g4,g6,g7,g8,g9,h1,h2,h4,h6, m1,m2,m3,m4,m5,m7
316	0L2859	Pompa risciacquo (230V/1N/60HZ)	Rinse pump (230V/1N/60HZ)	f,g,l,m,a6,b8,c8,g3,g5, h3,h5,h7
316	0L2860	Pompa risciacquo	Rinse pump (208-240V/1N/60HZ)	u,v,a7,a8,c9,d1 (208-240V/1N/60HZ)
316	0L2861	Pompa risciacquo (200V/1N/50HZ)	Rinse pump (200V/1N/50HZ)	n,d9,h8
316	0L2862	Pompa risciacquo (200V/1N/60HZ)	Rinse pump (200V/1N/60HZ)	o,e1,h9
316	0L2863	Pompa risciacquo (400V/3/50HZ)	Rinse pump (400V/3/50HZ)	p,a9
316	0L2864	Pompa risciacquo (400V/3/60HZ)	Rinse pump (400V/3/60HZ)	q,b1
<b>316</b>	<b>0L4603</b>	<b>Pompa risciacquo (400V/3/60HZ)</b>	<b>Rinse pump (400V/3/60HZ)</b>	<b>m6</b>
317	0L3080	Raccordo 3 vie	3 ways connection	Up to Ser. Nr.: 2020/02
<b>317</b>	<b>0L4597</b>	<b>Raccordo 3 vie</b>	<b>3 ways connection</b>	<b>From Ser. Nr.: 2020/03</b>

**LAVASTOVIGLIE CAPPOTTINA ZHT/NHT/ET12**  
**HOOD TYPE DISHWASHER ZHT/NHT/ET12**

Grassetto = variazioni  
 Bold Print = changes

Pos.	Cod. Ric. Part No.	Descrizione	Description	Note / Notes
318	048531	Tubo	Pipe	320 mm
319	049801	Iniettore detersivo	Detergent injection	a,c,h,i,s,t,u,v,y,z,a1,a2,a3,a7,a8,b2,b3,b4,b5,b9,c1,c6,c7,c5,c4,c3,c8,d2,d3,d7,d8,d9,e1,e6,e7,f1,f3,f4,f7,f9,g6,g7,g8,g9,h1,h4,h5,h6,h7,h8,h9,m7
320	0L2866	Supporto pompe peristaltiche	Peristaltic pumps support	
320	0L3524	Supporto pompe peristaltiche	Peristaltic pumps support	p,q,u,v,a7,a8,a9,b1,c9,d1,m6
321	0S1711	Pompa detersiva	Detergent pump	Up to Ser. Nr: 5501 a,c,h,i,s,t,y,z,a1,a2,a3,b2,b3,b4,b5,b9,c1,c6,c7,c5,c4,c3,c8,d2,d3,d7,d8,d9,e1,e6,e7
321	0S1986	Pompa detersiva	Detergent pump	From Ser.Nr: 5511 a,c,h,i,s,t,y,z,a1,a2,a3,b2,b3,b4,b5,b9,c1,c6,c7,c5,c4,c3,c8,d2,d3,d7,d8,d9,e1,e6,e7,f1,f2,f3,f4,f7,f8,f9,g6,g7,g8,g9,h1,h4,h5,h6,h7,m7
321	0S1712	Pompa detersiva	Detergent pump	Up to Ser. Nr: 5501 u,v,a7,a8,c9,d1
321	0S1988	Pompa detersiva	Detergent pump	From Ser.Nr: 5511 u,v,a7,a8,c9,d1
321	0L3530	Pompa detersiva	Detergent pump	Up to Ser. Nr: 5501 - d9,e1
321	0L3655	Pompa detersiva	Detergent pump	From Ser.Nr: 5511 d9,e1,h8,h9
322	0S1713	Pompa brillantante	Rinse aid pump	Up to Ser. Nr: 5501 Not for d,e,f,g,j,k,l,m,n,o,a5,a6,b7,b8,c2
322	0S2285	Pompa brillantante	Rinse aid pump	From Ser.Nr: 5511 Not for d,e,f,g,j,k,l,m,n,o,a5,a6,b7,b8,g2,g4,g5,h2,h3,h8,h9
322	0L3330	Pompa brillantante	Rinse aid pump	Up to Ser. Nr: 5501 - d9,e1
322	0L3656	Pompa brillantante	Rinse aid pump	From Ser.Nr: 5511 d9,e1,h8,h9
322	0L3654	Pompa brillantante	Rinse aid pump	e6,e7,f3,f9,m7
323	047578	Fascetta 25-40/9	Hose clamp 25-40/9	
324	048126	Fascetta 12-22/9	Hose clamp 12-22/9	
325a	0L3062	Tubo	Pipe	50 mm
325b	0L3063	Tubo	Pipe	440 mm
325c	0L3061	Tubo	Pipe	630 mm
325d	0L3058	Tubo	Pipe	500 mm
326	0L3060	Tubo	Pipe	880 mm
327	0L0082	Fascetta 7,3-7,8	Hose clamp 7,3-7,8	
328	0L1277	OR 26,58X3,53	O-ring 26,58X3,53	
329	0L2867	Ghiera	Ring nut	
330	0S1028	Peso in inox con filtro	Inox weight with filter	
331	049419	Tubo interno pompa detersiva/ delime	Detergent/ delime dispenser hose	Up to Ser.Nr. 6131
331	0S2121	Tubo interno pompa detersiva/ delime	Detergent/ delime dispenser hose	From Ser. Nr. 6141
332	049418	Tubo interno pompa brillantante	Rinse aid/ dispenser hose	Up to Ser.Nr. 6131

Doc. Nr.: **595668W00**

Ed. **2012 - 05**  
 Updated **2020 - 01**

Da Ser. Nr./ From Ser.nr.: **305...**

**LAVASTOVIGLIE CAPPOTTINA ZHT/NHT/ET12**  
**HOOD TYPE DISHWASHER ZHT/NHT/ET12**

Grassetto = variazioni  
 Bold Print = changes

Pos.	Cod. Ric. Part No.	Descrizione	Description	Note / Notes
332	0S2122	Tubo interno pompa brillantante	Rinse aid/ dispenser hose	From Ser. Nr. 6141
333	0L2071	Assieme tappo brillantante	Rinse aid plug assembly	Up to Ser.Nr. 4241
333	0L3079	Assieme tappo brillantante	Rinse aid plug assembly	From Ser.Nr. 4251 Up to Ser. 8101
333	0L4400	Assieme tappo brillantante	Rinse aid plug assembly	From Ser. 8111 Not for m1,m2,m3,m4,m5
334	0L1163	Tubo detergente	Detergent pipe	
335	0L0481	Tubo brillantante	Rinse aid pipe	
336	048834	Filtro	Filter	
337	049201	Guarnizione	Gasket	
338	0L3043	Serbatoio aggiuntivo	Additional tank	c,z,a2,b4,b9, c4,c7,d2,g8,g9
<b>339</b>	<b>0L2980</b>	<b>Doppia valvola di non ritorno</b>	<b>Double no back-flow valve</b>	<b>y-e6-e7-m7</b>
<b>340</b>	<b>072457</b>	<b>Giunto M.3/4" - M.3/4"</b>	<b>Coupling M.3/4" - M.3/4"</b>	<b>y-e6-e7-m7</b>
341	0L2868	Pompa delime	Delime pump	Up to Ser.Nr: 4421 s,t,u,v,w,x,y,a1,a7,a8,b2,b3, c6,c3,c8,c9,d1,d3,d8,d9,e1
341	0L3407	Pompa delime	Delime pump	From Ser.Nr: 4431 Up to Ser. Nr: 5501 s,t,u,v,w,x- ,y,a1,a7,a8,b2,b3, c6,c3,c8,c9,d1,d3,d8,d9,e1
341	0L3654	Pompa delime	Delime pump	From Ser.Nr: 5511 s,t,u,v,w,x, y,a1,a7,a8,b2,b3,c6,c3,c8,c9, d1,d3,d8,d9,e1,e6,e7,f3,f9,h6, h7,h8,h9,m7
342	049287	Tubo	Pipe	35 mm - s,t,u,v,w,x,y,a1,a7,a8, b2,b3,c6,c3,c8,c9,d1,d3,d8, d9,e1,e6,e7,f3, f9,h6,h7,h8,h9,m7
343	0L2869	Iniettore delime	Derlime injector	s,t,u,v,w,x,y,a1,a7,a8,b2,b3, c6,c3,c8,c9,d1,d3,d8,d9,e1, e6,e7,h6,h7,h8,h9,m7
344	0L2870	Raccordo delime	Delime connector	Up to Ser.Nr: 4241 s,t,u,v,w,x, y,a1,a7,a8,b2,b3,c6,c3,c8,c9, d1,d3,d8,d9,e1
344	0L3075	Raccordo delime + Iniettore	Delime connector + Injector	From Ser.Nr: 4251 s,t,u,v,w,x, y,a1,a7,a8,b2,b3,c6,c3,c8,c9, d1,d3,d8,d9,e1,e6,e7,h6,h7, h8,h9,m7
345	0L3415	Tubo 4X7,4 L=2000	Hose 4X7,4 L=2000	
346	0L2871	Assieme addolcitore	Water softener assembly	c,z,a2,b4,b9,c7,c4,d2,f4,g1
346a	0L2950	Imbuto sale	Salt funnel	c,z,a2,b4,b9,c7,c4,d2,f4,g8,g9
346b	0L2951	Assieme tappo	Cap assembly	c,z,a2,b4,b9,c7,c4,d2,f4,g8,g9
346c	0L2952	OR per tappo 42X5	O-ring for cap 42X5	c,z,a2,b4,b9,c7,c4,d2,f4,g8,g9
346d	0L2953	Ghiera	Ring nut	c,z,a2,b4,b9,c7,c4,d2,f4,g8,g9
346e	0L2954	Elettrovalvola (bianca)	Solenoid valve (white)	c,z,a2,b4,b9,c7,c4,d2,f4,g8,g9
346f	0L2955	Elettrovalvola (blu)	Solenoid valve (blue)	c,z,a2,b4,b9,c7,c4,d2,f4,g8,g9
346g	0L2956	Sensore reed	Reed sensor	c,z,a2,b4,b9,c7,c4,d2,f4,g8,g9
346h	0L2957	Elettrovalvola (marrone)	Solenoid valve (brown)	c,z,a2,b4,b9,c7,c4,d2,f4,g8,g9
346i	0L2958	OR 65X5	O-ring 65X5	c,z,a2,b4,b9,c7,c4,d2,f4,g8,g9
348	0L0477	Portagomma in ottone 3/8"G	Brass hose union 3/8"G	d9,e1,h8,h9
349	0L0479	Nipplo ottone MM 3/4"-3/8"G	Brass nipple MM 3/4-3/8X	d9,e1,h8,h9
350	0L0169	Parzializzatore 5l/min	5 l/min water shutter	d9,e1,h8,h9

Pos.	Cod. Ric. Part No.	Descrizione	Description	Note / Notes
351	0L2917	Modulo di connessione per E.V.	Connection module for solenoid valve	d9,e1,h8,h9
	<b>805665203</b>	<b>Assieme tubi 301+303+304+305+310+323+324</b>	<b>Pipes assembly 301+303+304+305+310+323+324</b>	<b>a,h,a3,a9,b1,b5,c5,d7,e3,f2,f8, g6,g7,h1,h4,m2,m4,m5,m8,m9</b>
	<b>805665303</b>	<b>Assieme tubi 301+303+304+305+310+323+324</b>	<b>Pipes assembly 301+303+304+305+310+323+324</b>	<b>b,d,e,f,g,i,j,k,l,m,n,o,p,q,r,a4,a5, a6,b5,b6,b7,b8,c1,c2,d4,d5,d6, e2,e4,e5,e8,e9,f1,f5,f6,f7,g2,g3, g4,g5,h2,h3,h5,m1,m3,m6</b>
	0L2969	Assieme tubi 310+301+305+342	Pipes assembly 310+301+305+342	u,v,y,a1,a7,a8,b2,b3,c3,c6,c8,c9, d1,d3,d8,d9,e1,f3,f9,h6,h7,h8,h9, m7
	805665505	Assieme tubi 301+305+342	Pipes assembly 301+305+342	s,t,w,x,e6,e7
	805665T02	Assieme tubi 302+302a+310+324+ 325a+325b+325c+338	Pipes assembly 302+302a+ 310+324+325a+325b+325c+338	c,z,a2,b4.b9.c4,c7,d2,f4,g1,g8,g9
		<b>Pagina 6: Componenti elettrici</b>	<b>Page 6: Electrical components</b>	
502	0L0111	Morsettiera	Terminal board	
503	0L0366	SUPPorto SENSORE	Sensor support	
504	0L2874	SONDA di TEMPERATURA	Temperature probe	
505	0L1974	Resistenza vasca (3 kW, 230V)	Tank heating element (3 kW, 230V)	Not for n,m,o,p,q,v,a7,a8,a9, b1,c9,d1,m6
505	0L2875	Resistenza vasca (3 kW, 208V)	Tank heating element (3 kW, 208V)	v,a8,d1
505	0L2876	Resistenza vasca (3 kW, 240V)	Tank heating element (3 kW, 240V)	u,a7,c9
505	0L2877	Resistenza vasca (3 kW, 400V)	Tank heating element (3 kW, 400V)	p,a9
505	0L2878	Resistenza vasca (3 kW, 440V)	Tank heating element (3 kW, 440V)	q,b1
505	0L2880	Resistenza vasca (3 kW, 200V)	Tank heating element (3 kW, 200V)	n,o
505	0L2234	Resistenza vasca (3 kW, 200V)	Tank heating element (3 kW, 200V)	d9,e1,h8,h9
506	048429	SQUADRetta di fissaggio	Lock support	
507	0L2303	OR	O-ring	
508	0L0280	Premistoppa per termostato	Stuffing box	Up to 6101
508	0L3689	Premistoppa per termostato	Stuffing box	From 6111
509	0L4335	Cover pannello scheda	Board panel cover	p,q,u,v,a7,a8,a9,b1,b2,c9,d1 Up to 9481
<b>509</b>	<b>0L4598</b>	<b>Cover pannello scheda</b>	<b>Board panel cover</b>	<b>p,q,u,v,a7,a8,a9,b1,b2, c9,d1,m1 - From 9491</b>
510	0L4184	Distanziale resistenza vasca	Tank heating spacer	
511	0L2653	Resistenza boiler (9 kW, 230V)	Boiler heating element (9 kW, 230V)	a,b,c,h,i,p,r,s,t,w,x,y,z,a1,a2, a3,a4,a9,b2,b3,b4,b5,b6,b9, c1,c2,c6,c7,c5,c3,c8,d2,d3, d6,d7,d8,d9,e1,e2,e6,e7,e8, f1,f2,f3,f4,f5,f7,f8,f9,g6,g7,g8, g9,h1,h4,h6,h7,h8,h9,m1,m2, m3,m4,m5,m6,m7
511	0L2767	Resistenza boiler (9 kW, 254V)	Boiler heating elem. (9 kW, 254V)	q,b1
511	0L2883	Resistenza boiler (9 kW, 200V)	Boiler heating elem. (9 kW, 200V)	n,o,d9,e1,h8,h9
511	0L2884	Resistenza boiler (4,5 kW, 230V)	Boiler heating element (4,5 kW, 230V)	d,e,f,g,j,k,l,a5,a6,b7,b8, g2,g3,g4,g5,h2,h3,h5

**LAVASTOVIGLIE CAPPOTTINA ZHT/NHT/ET12**  
**HOOD TYPE DISHWASHER ZHT/NHT/ET12**

Grassetto = variazioni  
 Bold Print = changes

Pos.	Cod. Ric. Part No.	Descrizione	Description	Note / Notes
511	0L2885	Resistenza boiler (4,5 kW, 208V)	Boiler heating element (4,5 kW, 208V)	v,a8,d1
511	0L2886	Resistenza boiler (4,5 kW, 240V)	Boiler heating element (4,5 kW, 240V)	u,a7,c9
512	0E5037	OR 56.52X5.33	O-Ring 56.52X5.33	
513	0L2887	Scheda Madre	Main board	s,t,u,v,w,x,y,z,a1,a2,a3,a4,a5, a6,a7,a8,a9,b1,b2,b3,b4,b5, b6,b7,b8,b9,c1,c2,c3,c4,c5, c6,c7,c8,c9,d1,d3,d6,d8,d9, e1,e2,e4,e6,e7 up to 5401 from 5481 up to 6391
513	0L3600	Scheda Madre	Main board	s,t,u,v,w,x,y,z,a1,a2,a3,a4,a5, a6,a7,a8,a9,b1,b2,b3,b4,b5, b6,b7,b8,b9,c1,c2,c3,c4,c5, c6,c7,c8,c9,d1,d3,d6,d8,d9, e1,e2,e4,e6,e7,f3,f9,g7,g8, g9,h1,h2,h3,h4,h5,h6, h7,h8,h9,m1,m2,m3,m4,m5,m7 from 5411 up to 5471 from 6401
513	0L2888	Scheda Madre	Main board	a,b,c,d,e,f,g,h,i,j,k,l,m,n,o,p, q,r,d2,d4,d5,d7,e3,e5 up to 5401 from 5481 up to 6111
513	0L3601	Scheda Madre	Main board	a,b,c,d,e,f,g,h,i,j,k,l,m,n,o,p, q,r,d2,d4,d5,d7,e3,e8,e9,f1, f2,f4,f5,f6,f7,f8,f9,g1,g2,g3, g4,g5,g6,m6 from 5411 up to 5471 from 6121
514	049883	Trasformatore (80VA 400-440/230V)	Transformer (80VA 400-440/230V)	p,q,a9,b1,m6
515	0L1526	Filtro elettrico (RC)	Electric filter (RC)	p,q,a9,b1,m6
516	0L0285	Contattore (K3 - 230V)	Contactor (K3 - 230V)	a,b,c,h,i,p,r,s,t,w,x,y,z,a1,a2,a3, a4,a9,b2,b3,b4,b5,b6,b9,c1,c2, c3,c4,c5,c6,c7,d2,d3,d4,d5,d6, d7,d8,e2,e6,e7,e8,f2,f3,f4,f5, f8,f9,g6,g7,h1,h4,h6,,m1,m2, m3,m4,m5,m7
516	0L0286	Contattore (K3 - 180V)	Contactor (K3 - 180V)	n,q,b1,c8,d9,h7,h8,m6
516	0L2057	Contattore (K3 - 220V 60HZ)	Contactor (K3 - 220V 60HZ)	f,g,l,m,a6,b8,g3,g5,h3,h5
516	0L0430	Contattore (K3 - 180V)	Contactor (K3 - 180V)	o,u,v,a7,a8,c9,d1,e1,h9
516	006879	Contattore (K3 - 220-240V 50HZ / 240V 60HZ)	Contactor (K3 - 220-240V 50HZ / 240V 60HZ)	d,e,j,k,a5,b7,g1,g2,g4,h2
517	0L2889	Pannello supporto scheda	Board support panel	Up to Ser. Nr: 5281
517	0L3596	Pannello supporto scheda	Board support panel	From Ser. Nr: 5291
518	0L2890	Supporto scheda alimentatore	Feeder board support	
519	048888	Relé	Relay	
519	049159	Relé	Relay	d9,e1,h8,h9
520	0L2891	Alimentatore	Feeder	
521	0L2892	Coperchio alimentatore	Feeder cover	
522	0L2893	SENSORE porta + squadretta	Door sensor + spacer	
523	0L2894	Squadretta	Support	
524	0L2895	Termostato sicurezza	Safety thermostat	Qty 2 only for p,q,a9,b1,m6

Doc. Nr.: **595668W00**

Ed. **2012 - 05**  
 Updated **2020 - 01**

Da Ser. Nr./ From Ser.nr.: **305...**

Pos.	Cod. Ric. Part No.	Descrizione	Description	Note / Notes
525	049627	Magnete	Magnet	
526	0L2897	Interfaccia utente	User interface	Up to Ser.No: 6391
526	0L3785	Interfaccia utente	User interface	From Ser.No: 6401
527	0L2898	Copertura interfaccia utente	User interface cover	
528	0L2899	Supporto	Support	
529	049303	Filtro RFI trifase	Trifase RFI filter	
530	049901	Filtro RFI monofase	Monofase RFI filter	
531	0L2332	Vite M2,9X9,5mm	Screw M2,9X9,5mm	
590	0L3134	Cablaggio	Wiring harness	a,b,h,i,n,o,r,a3,a4,b5,b6,c1,c2,c5,d4,d5,d6,d7,e2,e8,f1,f2,f5,f7,f8,g6,g7,h1,h4,m1,m2,m3,m4,m5
590	0L3057	Cablaggio	Wiring harness	s,t,w,x,y,a1,b2,b3,c3,c6,c8,d3,d9,e1,e6,e7,f3,f9,h7,h8,h9,m7
590	0L3065	Cablaggio	Wiring harness	c,z,a2,b4,b9,c4,c7,d2,f4,g8,g9,h6
590	0L3099	Cablaggio	Wiring harness	u,v,a7,a8,c9,d1
590	0L2913	Cablaggio	Wiring harness	u,v
590	0L3147	Cablaggio	Wiring harness	d,e,f,g,j,k,l,m,a5,a6,b7,b8,g1,g2,g3,g4,g5,h2,h3,h5
590	0TTZRH	Cablaggio	Wiring harness	s,t,w,x,e6,e7,m7
590	0L2905	Cablaggio	Wiring harness	p,q,a9,b1,m6
		<b>Pagina 7: Componenti versione automatica - Fino a 2019/48</b>	<b>Page 7: Automatic version components - Up to 2019/48</b>	
601	0L2918	Guida superiore	Upper rail	s,t,u,v,w,x,e6,e7 - Up to 9481
602	0L2919	Asta di sollevamento	Lifting rod	s,t,u,v,w,x,e6,e7 - Up to 9481
603	0L2921	Camma destra	Right cam	s,t,u,v,w,x,e6,e7 - Up to 9481
604	0L2922	Supporto micro	Micro switch support	s,t,u,v,w,x,e6,e7 - Up to 9481
605	0L2923	Camma sinistra	Left cam	s,t,u,v,w,x,e6,e7 - Up to 9481
606	049770	Guida cremagliera	Rack rail guide	s,t,u,v,w,x,e6,e7 - Up to 9481
607	049826	Finecorsa inferiore	Lower driving gear	s,t,u,v,w,x,e6,e7 - Up to 9481
608	0L2924	Cremagliera	Rack rail	s,t,u,v,w,x,e6,e7 - Up to 9481
609	0L0457	Finecorsa superiore	Upper driving gear	s,t,u,v,w,x,e6,e7 - Up to 9481
610	0L3041	Assieme supporti per automatica	Support assembly for automatic NHT	s,t,u,v,w,x,e6,e7 - Up to 9481
611	0L0456	Microinterruttore	Micro switch	s,t,u,v,w,x,e6,e7 - see pos. 635
614	0L0665	Motoriduttore	Gear motor	s,t,u,v,w,x,e6,e7 - see pos. 636
615	0L2927	Supporto destro	Right support	s,t,u,v,w,x,e6,e7 - Up to 9481
616	049581	Ingranaggio	Gear	s,t,u,v,w,x,e6,e7 - Up to 9481
617	0L2928	Microinterruttore	Micro switch	s,t,u,v,w,x,e6,e7 - see pos. 625
618	0L2929	Supporto cremagliera	Rack rail support	s,t,u,v,w,x,e6,e7 - Up to 9481
		<b>Pagina 8: Componenti versione automatica - Da 2019/49</b>	<b>Page 8: Automatic version components - From 2019/49</b>	
619	0L4594	Snodo sferico	Spherical junction	s,t,u,v,w,x,e6,e7,m7 - From 9491
620	0L4595	Perno guida cremagliera	Rack rail fitting	s,t,u,v,w,x,e6,e7,m7 - From 9491
621	0L4593	Supporto cremagliera	Rack rail support	s,t,u,v,w,x,e6,e7,m7 - From 9491

Pos.	Cod. Ric. Part No.	Descrizione	Description	Note / Notes
622	0L4591	Asta di sollevamento	Lifting rod	s,t,u,v,w,x,e6,e7,m7 - From 9491
623	0L4586	Camma destra	Right cam	s,t,u,v,w,x,e6,e7,m7 - From 9491
624	0L4587	Camma sinistra	Left cam	s,t,u,v,w,x,e6,e7,m7 - From 9491
625	0L2928	Microinterruttore	Micro switch	s,t,u,v,w,x,e6,e7,m7 - From 9491
626	0L4588	Fine corsa per cremagliera	Rack rail endpoint	s,t,u,v,w,x,e6,e7,m7 - From 9491
627	0L4585	Squadretta asta	Rod support	s,t,u,v,w,x,e6,e7,m7 - From 9491
628	0L4589	Cremagliera	Rack rail	s,t,u,v,w,x,e6,e7,m7 - From 9491
629	0L4590	Pattino cremagliera	Rack rail skid	s,t,u,v,w,x,e6,e7,m7 - From 9491
630	0L4584	Staffetta regolazione altezza motoriduttore	Gear motor adjustable support	s,t,u,v,w,x,e6,e7,m7 - From 9491
631	0L0676	LING.DISCO 3*3.7 UNI6606-69	LING.DISCO 3*3.7 UNI6606-69	s,t,u,v,w,x,e6,e7,m7 - From 9491
632	0L4583	Supporto motore	Motor support	s,t,u,v,w,x,e6,e7,m7 - From 9491
633	0L4592	Assieme pignone	Pinion assembly	s,t,u,v,w,x,e6,e7,m7 - From 9491
634	0L4596	Supporto sensore induttivo	Micro switch support	s,t,u,v,w,x,e6,e7,m7 - From 9491
635	0L0456	Sensore induttivo	Sensor	s,t,u,v,w,x,e6,e7,m7 - From 9491
636	0L0665	Motoriduttore	Gear motor	s,t,u,v,w,x,e6,e7,m7 - From 9491
637	0L4599	Perno snodo sferico	Spherical junction fitting	s,t,u,v,w,x,e6,e7,m7 - From 9491
		<b>Pagina 9: Componenti ESD</b>	<b>Page 9: ESD components</b>	
	0L3597	Assieme completo ESD HT Manuale	Complete ESD assembly for Manual HT	y,z,b2,c6,c7,c8,d1,d9,e1,g8,h6,h7,h8,h9,m1,m2,m3,m4,m5
	0L3598	Assieme completo ESD HT Automatica	Complete ESD assembly for Automatic HT	s,u,v,w,e7
701	0L2900	Condensatore (1F 50/60HZ 400VAC)	Capacitor (1F 50/60HZ 400VAC)	s,u,v,y,z,b2,c6,c7,c8,d9,e1,e7,g8,h6,h7,h8,h9
702	0L2930	Schermo di protezione	Protective shield	Up to Ser.Nr: 4241 s,u,v,y,z,b2,c6,c7,c8,d9,e1
702	0L3348	Schermo di protezione	Protective shield	<b>From Ser.Nr: 4251</b> <b>Up to Ser.Nr: 9491</b> s,u,v,w,y,z,b2,c6,c7,c8,d1,d9,e1,e7,g8,h6,h7,h8,h9,m1,m2,m3,m4,m5
702	0L4575	Schermo di protezione	protective shield	<b>From Ser.Nr: 9501</b> s,u,v,w,y,z,b2,c6,c7,c8,d1,d9,e1,e7,g8,h6,h7,h8,h9,m1,m2,m3,m4,m5
703	0L2931	Vite M5x12 TSC	Screw M5x12 TSC	Up to Ser. Nr: 5141 s,u,v,y,z,b2,c6,c7,c8,d9,e1
704	0L2932	Coperchio	Cover	Up to Ser.Nr: 4241 s,u,v,y,z,b2,c6,c7,c8,d9,e1
704	0L3349	Coperchio	Cover	From Ser.Nr: 4251 s,u,v,y,z,b2,c6,c7,c8,d9,e1,e7,g8,h6,h7,h8,h9,m1,m2,m3,m4,m5
705	0TH068	Dado M5	Nut M5	Up to Ser. Nr: 5141 s,u,v,y,z,b2,c6,c7,c8,d9,e1
706	0L4415	Isolante ventola	Insulating fan	s,u,v,w,y,z,b2,c6,c7,c8,c9,d1,d9,e1,e7,g8,h6,h7,h8,h9,m1,m2,m3,m4,m5
707	0L2934	Scatola condensatori	Capacitors box	s,u,v,w,y,z,b2,c6,c7,c8,c9,d1,d9,e1,e7,g8,h6,h7,h8,h9,m1,m2,m3,m4,m5

**LAVASTOVIGLIE CAPPOTTINA ZHT/NHT/ET12**  
**HOOD TYPE DISHWASHER ZHT/NHT/ET12**

Grassetto = variazioni  
 Bold Print = changes

Pos.	Cod. Ric. Part No.	Descrizione	Description	Note / Notes
708	0TH080	Passacavo	Cable gland	s,u,v,w,y,z,b2,c6,c7,c8,c9,d1,d9,e1,e7,g8,h6,h7,h8,h9,m1,m2,m3,m4,m5
709	0L2935	Supporto ventilatori	Fans support	s,u,v,w,y,z,b2,c6,c7,c8,c9,d1,d9,e1,e7,g8,h6,h7,h8,h9,m1,m2,m3,m4,m5
710	0L2936	Ventilatore	Fan	s,u,v,w,y,z,b2,c6,c7,c8,c9,d1,d9,e1,e7,g8,h6,h7,h8,h9,m1,m2,m3,m4,m5
711	0L2937	Supporto connettori	Connectors support	s,u,v,w,y,z,b2,c6,c7,c8,c9,d1,d9,e1,e7,g8,h6,h7,h8,h9,m1,m2,m3,m4,m5
712	0L2938	Assieme convogliazione	Conveyor assembly	s,u,v,w,y,z,b2,c6,c7,c8,c9,d1,d9,e1,e7,g8,h6,h7,h8,h9,m1,m2,m3,m4,m5
713	0L2939	Convogliatore	Conveyor	s,u,v,w,y,z,b2,c6,c7,c8,c9,d1,d9,e1,e7,g8,h6,h7,h8,h9,m1,m2,m3,m4,m5
714	0L2940	Collettore aspirazione	Suction header	s,u,v,w,y,z,b2,c6,c7,c8,c9,d1,d9,e1,e7,g8,h6,h7,h8,h9,m1,m2,m3,m4,m5
715	0L2941	Guarnizione	Gasket	s,u,v,w,y,z,b2,c6,c7,c8,c9,d1,d9,e1,e7,g8,h6,h7,h8,h9,m1,m2,m3,m4,m5
716	0L2942	Pannello isolante	Protection panel	s,u,v,w,y,z,b2,c6,c7,c8,c9,d1,d9,e1,e7,g8,h6,h7,h8,h9,m1,m2,m3,m4,m5
717	0L2943	Paraspruzzi	Spashguard	s,u,v,w,e7
717	0L2944	Paraspruzzi	Spashguard	y,z,b2,c6,c7,c8,d9,e1,g8,h6,h7,h8,h9,m1,m2,m3,m4,m5
718	0L2945	Pannello di chiusura	Closing panel	s,u,v,y,z,b2,c6,c7,c8,d9,e1,e7,g8,h6,h7,h8,h9,m1,m2,m3,m4,m5
719	0C3539	Vite M5x12 TTL	Screw M5x12 TTL	s,u,v,y,z,b2,c6,c7,c8,d9,e1,e7,g8,h5,h6,h7,h8,h9,m1,m2,m3,m4,m5
720	0L2947	Scambiatore	Exchanger	Up to Ser. Nr: 5141 s,u,v,y,z,b2,c6,c7,c8,d9,e1
720	0L3614	Scambiatore	Exchanger	From Ser. Nr: 5151 s,u,v,y,z,b2,c6,c7,c8,d9,e1,e7,g8,h7,h8,h9,m1,m2,m3,m4,m5
721	0C5309	Dado M5	Nut M5	s,u,v,y,z,b2,c6,c7,c8,d9,e1,e7,h7,h8,h9,m1,m2,m3,m4,m5
722	0L2848	Boccaglio ventilatore	Fan nozzle	s,u,v,y,z,b2,c6,c7,c8,d9,e1,e7,g8,h7,h8,h9,m1,m2,m3,m4,m5
723	0L3613	Tampone con passacavo	Pad with cable gland	From Ser. Nr: 5151
724	0TTZY0	Boccaglio ESD con deflettori		
725	0L4435	Copertura frontale ESD	ESD front panel	For manual NHT - x,y,c6,c7,c8,c9,d1,d9,e1,h6,h7,h8,h9,g8
<b>PREVENTIVE MAINTENANCE KIT</b>				
<b>Doc. Nr.: 595668W00</b>		<b>Ed. 2012 - 05</b> Updated 2020 - 01		<b>Da Ser. Nr./ From Ser.nr.: 305...</b>



Pos.	Cod. Ric. Part No.	Descrizione	Description	Note / Notes
	0L4325	KIT manutenzione preventiva 1 anno: 049418 049460 049480 0L2359	Preventive Maintenance KIT, HT8, 1st year: 049418 049460 049480 0L2359	b,d,e,f,g,i,j,k,l,m,n,o,p,q,r,s,t,w,x,a4,a5,a6,a9,b1,b6,b7,b8,c2,d4,d5,d6,e2,e4,e5,e8,e9,g2,g3,g4,g5,f1,f5,f6,f7, h2,h3
	0L4326	KIT manutenzione preventiva 3 anni: 049418 049460 049480 049828 049894 0L2303 0L2359 0L2874 0S2285	Preventive Maintenance KIT, HT8, 3rd year: 049418 049460 049480 049828 049894 0L2303 0L2359 0L2874 0S2285	b,d,e,f,g,i,j,k,l,m,n,o,p,q,r,s,t,w,x,a4,a5,a6,a9,b1,b6,b7,b8,c2,d4,d5,d6,e2,e4,e5,e8,e9,g2,g3,g4,g5,f1,f5,f6,f7,h3,h3
	0L4327	KIT manutenzione preventiva 1 anno: 049418 049419 049460 049480 0L2359	Preventive Maintenance KIT, HT8G, 1st year: 049418 049419 049460 049480 0L2359	a,c,h,u,v,y,z,a1,a2,a3,a7,a8,b2,b3,b4,b5,b9,c1,c3,c4,c5,c6,c7,c8,c9,d1,d2,d3,d7,d8,d9,e1,e3,e6,e7,g1,g6,g7,f2,f3,f4,f8,f9,g8,g9,h1,h4,h5,h6,h7,h8,h9,m7
	0L4328	KIT manutenzione preventiva 3 anni: 049418 049419 049460 049480 049828 049894 0L2303 0L2359 0L2729 0L2841 0L2874 0S1986 0S2285	Preventive Maintenance KIT, HT8G, 3rd year: 049418 049419 049460 049480 049828 049894 0L2303 0L2359 0L2729 0L2841 0L2874 0S1986 0S2285	a,c,h,u,v,y,z,a1,a2,a3,a7,a8,b2,b3,b4,b5,b9,c1,c3,c4,c5,c6,c7,c8,c9,d1,d2,d3,d7,d8,d9,e1,e3,e6,e7,g1,g6,g7,f2,f3,f4,f8,f9,g8,g9,h1,h4,h5,h6,h7,h8,h9,m7





Electrolux Professional SPA  
Viale Treviso 15  
33170 Pordenone  
[www.electrolux-professional.com](http://www.electrolux-professional.com)

NordCap GmbH & Co. KG  
Thalendorststraße 15  
28307 Bremen  
Hauptsitz (Service, Finanzen & Personal, Lager, IT, Marketing)

Telefon: +49 421 48557-0  
Telefax: +49 421 488650  
E-Mail: [bremen@nordcap.de](mailto:bremen@nordcap.de)

Die NordCap Verkaufsniederlassungen in Deutschland:

Nord: Hamburg • Ost: Berlin • Süd: Ingelheim • West: Erkrath

by **NordCap**<sup>®</sup>

**ZANUSSI**  
PROFESSIONAL