

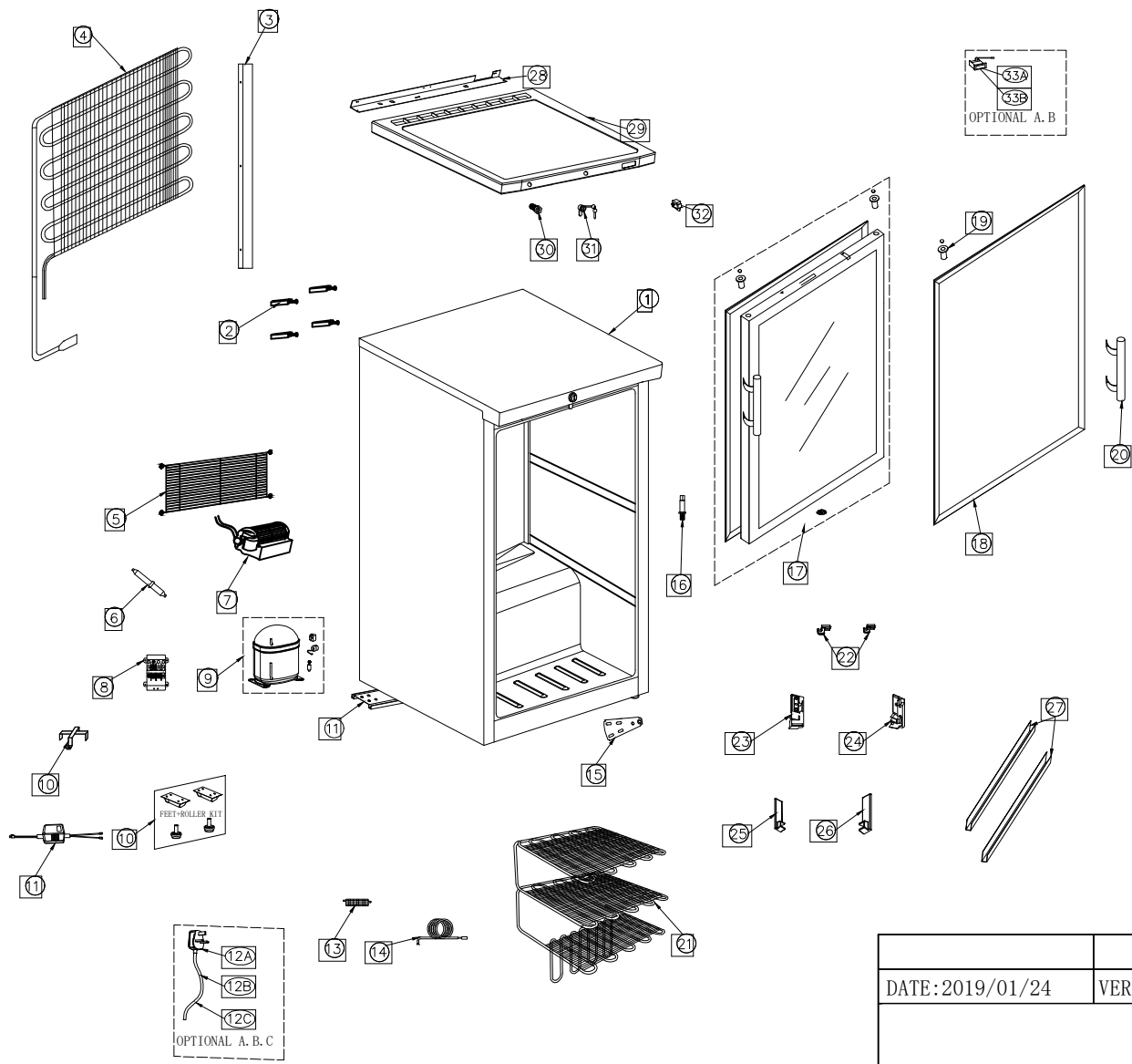
# Spare-Parts List and Exploded View

(Ersatzteilliste-Explosionszeichnung)

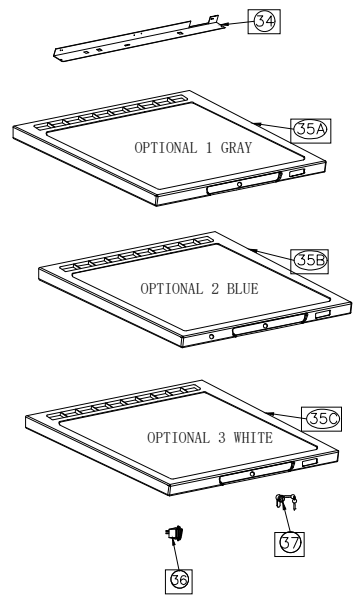
## COOL-LINE-Tiefkühlschrank **RNG 200 GL**

[Art. 451200350]





ALTERNATIVE DESIGN FOR TOP



DATE:2019/01/24	VERSION:A0	DESCRIPTION			DESIGN BY:
		SCALE	MODEL	Q. TY	REMARKS:
		1:1			
MATERIAL:S4/S5		EXPLODED VIEW			
DESIGN BY:Camilla					
APPROVED BY:Alberto	CATEGORY	TYPE	GROUP	PART N°	
DATE:2019/01/24	EV	1AQ7	A0	1200	

Item Description

**RNG 200 GL**

BOM Number

1

Build Quantity

1

Fixed Cost

0

Remark

Unit pc

BOM Components

Lev. 0	Item Number	Descr	Quantity	u.m.	Spare Part
	EV1AQ7A01200	CNG/CNXG 2 - EXPLODED VIEW DRAW.(Ver.A0 - S12)	1	pc	1
<b>1</b>	S41AQ60A0001	CN 2 - STELL FOAMED ASSEMBLY BODY (White Color - S12)	1	pc	1
<b>2</b>	P01AQ28A0002	CR/CN 2-4-6 Series - REAR CONDENSER SPACER - (S12)	4	pc	1
<b>3</b>	P01AD20A0003	RC 200/RN 200 - WIRING COVER	1	pc	1
<b>4</b>	I01AQ28A0001	CR/CN 2 - WIRE CONDENSER - (S12)	1	pc	1
<b>5</b>	I01AQ29A0003	CR/CN 2 Series - REAR ENGINE ROOM GRID (Black Color-S12)	1	pc	1
<b>6</b>	C01AQ26A0001	CR/CN 2 Series - BBC 186/286 - FILTER DRIER - (S12)	1	pc	1
<b>7</b>	E17A2A100000	YJ48-16A HUNAN KELI TANGENTIAL FAN:220/240V;50Hz-10W	1	pc	1
<b>8</b>	P01AQ20A0002	CR/CN 2 - CR4/6 Ser. - BBCx86 - WIRING JUNCTION BOX-(S12)	1	pc	1
<b>9</b>	E27B6T2Z0000	HXL140A COMP. ZEL/ACC R600a-220/240V 50Hz-1/10 HP RSCR:	1	pc	1
<b>10</b>	KITFT1AE0A00	RC/RN 200 RC/RN 400-FEET + ROLLERS KIT(N.2 FOOT+N.2 ROLLERS)	1	pc	1
<b>11</b>	Z01AD63A0001	RC 200 Series - ENGINE PLATE (For Roller and Feet kit)	1	pc	1
<b>12A</b>	E25EUG307525	POWER CORD 3x0.75 mmq - EU PLUG - GRAY COLOR 2,5 Mt.	1	pc	1
<b>12B</b>	E25EUK307525	POWER CORD 3x0,75 mmq - UK PLUG - BLACK COLOR 2.5 Mt	1	pc	1
<b>12C</b>	E25AUB307525	POWER CORD 3x0,75 mmq - AUSTRALIAN PLUG - BLACK COLOR 2,5 Mt	1	pc	1
<b>13</b>	P01AQ20A0003	CR/CN 2 Series - INTERNAL PROBE HOLDER - (S12)	1	pc	1
<b>14</b>	E21010300001	NTC PROBE - CABLE 3000 mm	1	pc	1
<b>15</b>	Z01AD22A0007	RC 200/RN 200 Series - BOTTOM HINGE	1	pc	1
<b>16</b>	Z01AE62A0005	RC/RN 400/600-CR/CN 7-14-PIVOT BOTTOM/UPPER RIGHT HINGE-(S12)	1	pc	1
<b>17</b>	A01AD72A0001	RNG/RNXG 200-HEAT DOOR(Gasket+Cylicndric handle+Cap+Insert)Al	1	pc	1
<b>18</b>	R01AD32A0002	RCG/RNG 200 - DOOR GASKET (Glass door)	1	pc	1
<b>19</b>	N01AD22A0008	RC 200/RN 200 - DOOR BUSHING + BUSHING COVER	2	pc	1
<b>20</b>	S21AD22A0006	RC 200 Ser.-S/S CYLINDER HANDLE(SOLID-Chiller/GLASS-Freezer)	1	pc	1
<b>21</b>	I01AQ67A0001	CN/CNX 2 - SHELF EVAPORATOR (White Color/458x448mm)-S12	1	pc	1
<b>22</b>	P01AD67A0002	RN/RNX 200 - EVAPORATOR TOP SUPPORT	2	pc	1
<b>23</b>	P01AD67A0003	RN/RNX 200 - EVAPORATOR LEFT/UPPER SUPPORT	1	pc	1
<b>24</b>	P01AD67A0005	RN/RNX 200 - EVAPORATOR RIGHT/UPPER SUPPORT	1	pc	1
<b>25</b>	P01AD67A0004	RN/RNX 200 - EVAPORATOR LEFT/BOTTOM SUPPORT	1	pc	1
<b>26</b>	P01AD67A0006	RN/RNX 200 - EVAPORATOR RIGHT/BOTTOM SUPPORT	1	pc	1
<b>27</b>	A01AD67A0002	RN 200/RNX 200 - FRONTAL EVAPORATOR STRIPES	2	pc	1

<b>28</b>	Z01AQ21A0002	CR/CN 2 - UPPER SUPPORT FOR TOP - (S12)	1	pc	1
<b>29</b>	P01AQ21A0001	CR/CN 2-TOP PANEL GRAY Col.(HOLES: Main/Lock/Fan/Buzzer)-S12	1	pc	1
<b>30</b>	E2318BL00001	QN19-C MAIN SWITCH (3P)-BLUE Light-250V-5A/T55 1AE4 (D.19mm)	1	pc	1
<b>31</b>	Z01AQ22A0003	CR/CRG/CN 2-4-6 - DOOR LOCK + KEYS (Inc.RED Keys DL00017174)	1	pc	1
<b>32</b>	E2309WH00001	HF-D02-1A-1 DOOR SWITCH (2P) 250VAC-4A; CONTACT NC	1	pc	1
<b>33A</b>	E20A111C3D00	XR02CX-5R1C1 DIXELL BLULINE THERM.-LIDCGXB5AB (RWD)	1	pc	1
<b>34</b>	Z01AD21A0006	RC 200/RN 200-UPPER SUPPORT FOR GRAY TOP (1 DOOR SWITCH)	1	pc	1
<b>35A</b>	P01AD21A0002	RC 200-TOP PANEL GRAY COLOR(CHI DESIGN: 1 DOOR SW+1 BUZZER)	1	pc	1
<b>35B</b>	P01AD21A0003	RC 200-TOP PANEL BLUE COLOR(LEC DESIGN: 1 DOOR SW)	1	pc	1
<b>35C</b>	P01AD21A0001	RC 200-TOP PANEL WHITE COLOR(CHI DESIGN: 1 DOOR SW+1 BUZZER)	1	pc	1
<b>36</b>	E2308GR00001	XCK-015-2-02 MAIN SWITCH (3P) 250VAC-6A;	1	pc	1
<b>37</b>	Z01AD21A0005	RC 200/RN 200 Series - LOCK + N.2 KEYS	1	pc	1